



US00D757947S

(12) **United States Design Patent**
Frieze et al.

(10) **Patent No.:** **US D757,947 S**

(45) **Date of Patent:** **** May 31, 2016**

(54) **DISPOSITION MONITOR**

(71) Applicant: **Case Medical, Inc.**, South Hackensack, NJ (US)

(72) Inventors: **Marcia A Frieze**, Alpine, NJ (US); **Ron Amster**, Englewood, NJ (US)

(73) Assignee: **Case Medical, Inc.**, South Hackensack, NJ (US)

(**) Term: **14 Years**

(21) Appl. No.: **29/509,448**

(22) Filed: **Nov. 18, 2014**

(51) **LOC (10) Cl.** **24-01**

(52) **U.S. Cl.**

USPC **D24/186**

(58) **Field of Classification Search**

USPC D24/167, 186; D11/3; D10/30-39, 65, D10/70, 78, 97, 98, 103; D13/173-177; D14/203.5, 247, 338-340, 344, 346, D14/347

CPC G08G 1/096883; G08G 1/096872; G08G 1/096775; G01C 21/16; G01C 21/3688; G01C 21/30; G01V 8/20; G01J 5/023; G01J 5/24; A61B 5/4824; A61B 5/483

See application file for complete search history.

(56) **References Cited**

U.S. PATENT DOCUMENTS

D290,397 S * 6/1987 Starkey D10/71
5,018,526 A * 5/1991 Gaston-Johansson ... A61B 5/16
128/897
5,634,472 A * 6/1997 Raghuprasad A61B 5/4824
600/555
6,146,334 A * 11/2000 Laserow A61B 5/4824
600/552
D493,537 S * 7/2004 Abric D24/186

* cited by examiner

Primary Examiner — Zenia Bennett

(74) *Attorney, Agent, or Firm* — Irving M. Fishman

(57) **CLAIM**

We claim the ornamental design for a disposition monitor, as shown and described.

DESCRIPTION

FIG. 1 is a front perspective view of the invention having a window display in a first status reporting position.

FIG. 2 is a front plan view of the invention in a first status reporting position.

FIG. 3 is a left side plan view of the invention in a first status reporting position.

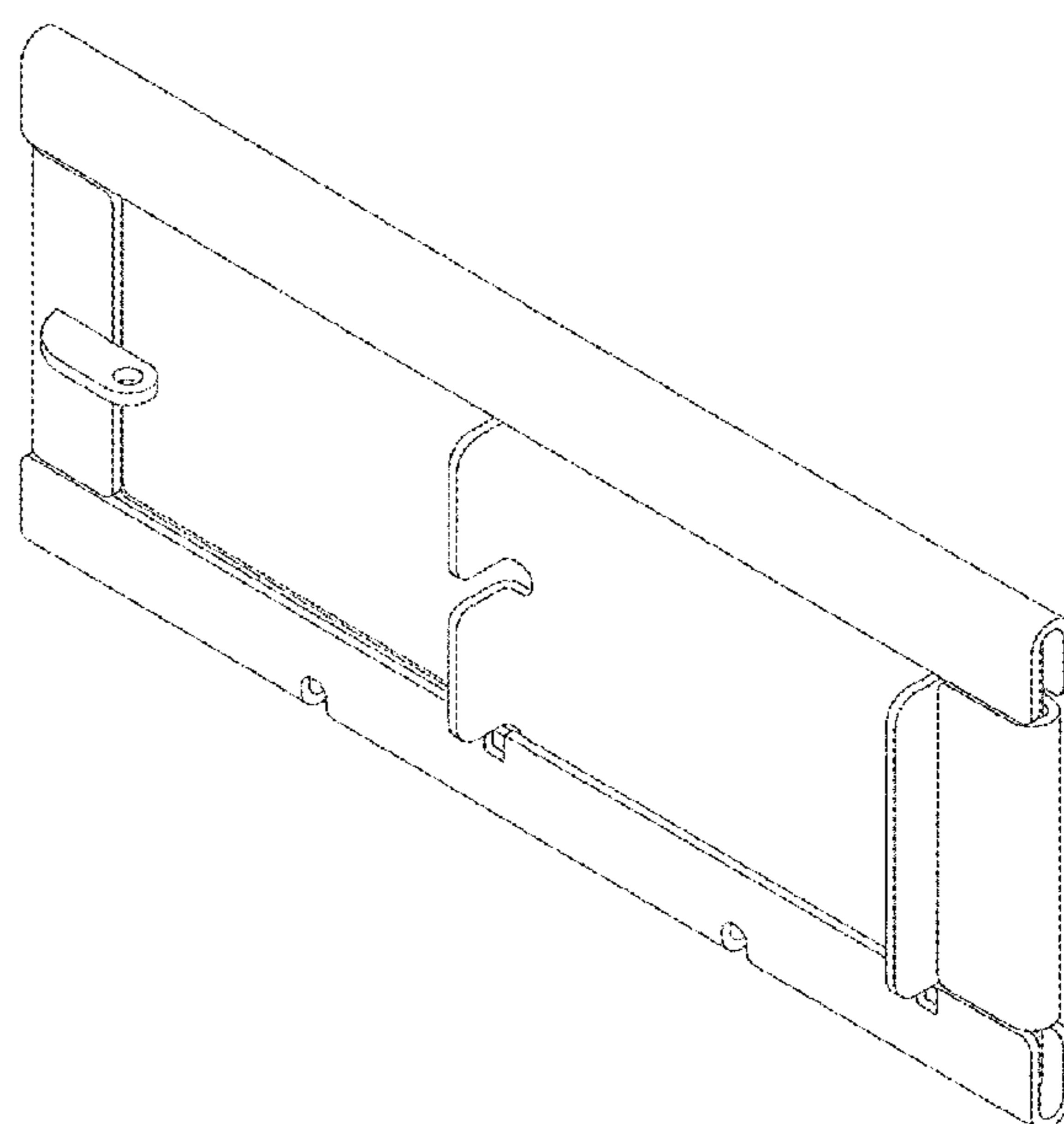
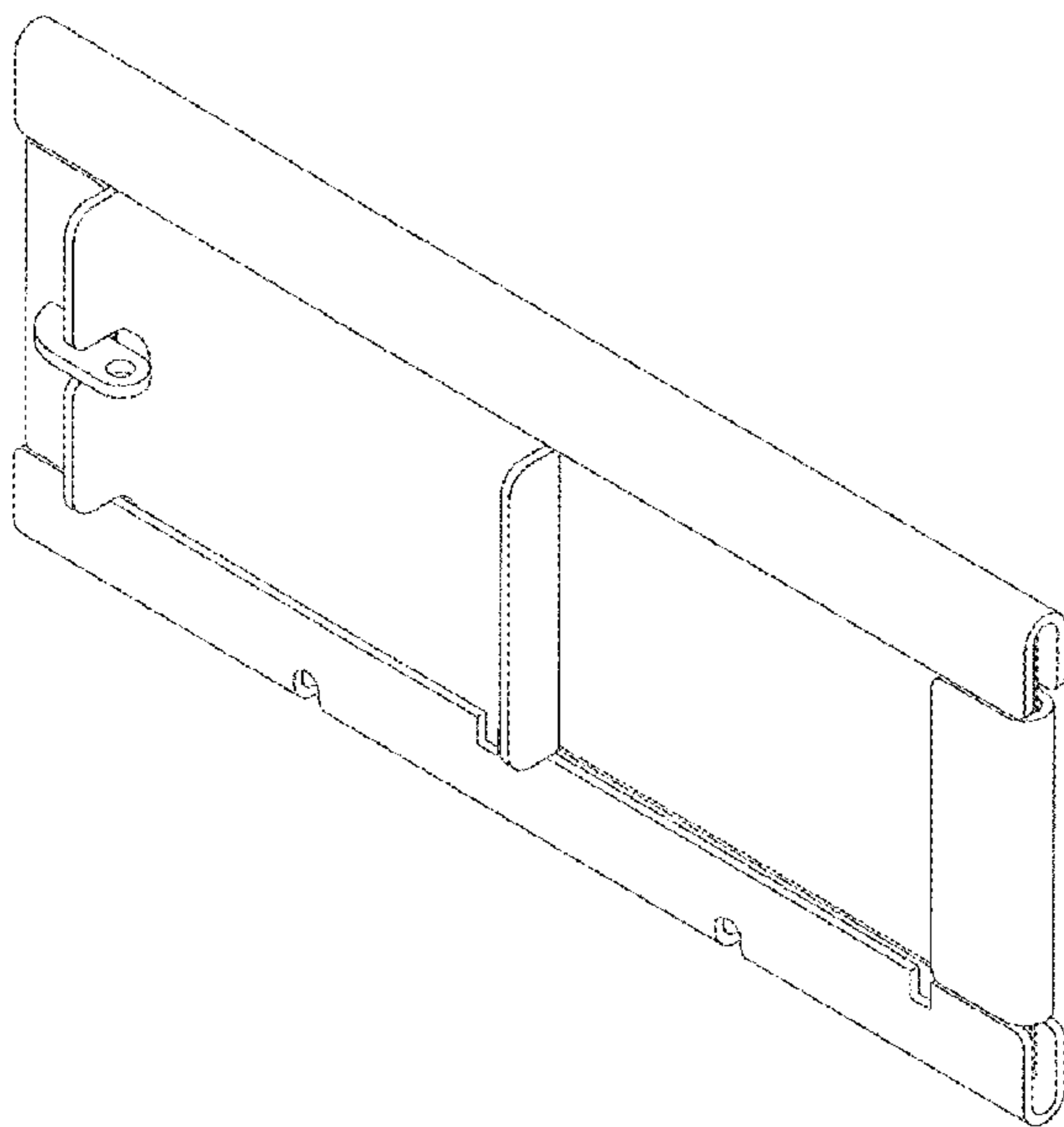
FIG. 4 is a right side plan view of the invention in a first status reporting position.

FIG. 5 is a top plan view of the invention in a first status reporting position.

FIG. 6 is a rear plan view of the invention in a first status reporting position; and,

FIG. 7 is a front perspective view of the invention with the window display having been moved from the first status reporting position to the second status reporting position.

1 Claim, 7 Drawing Sheets



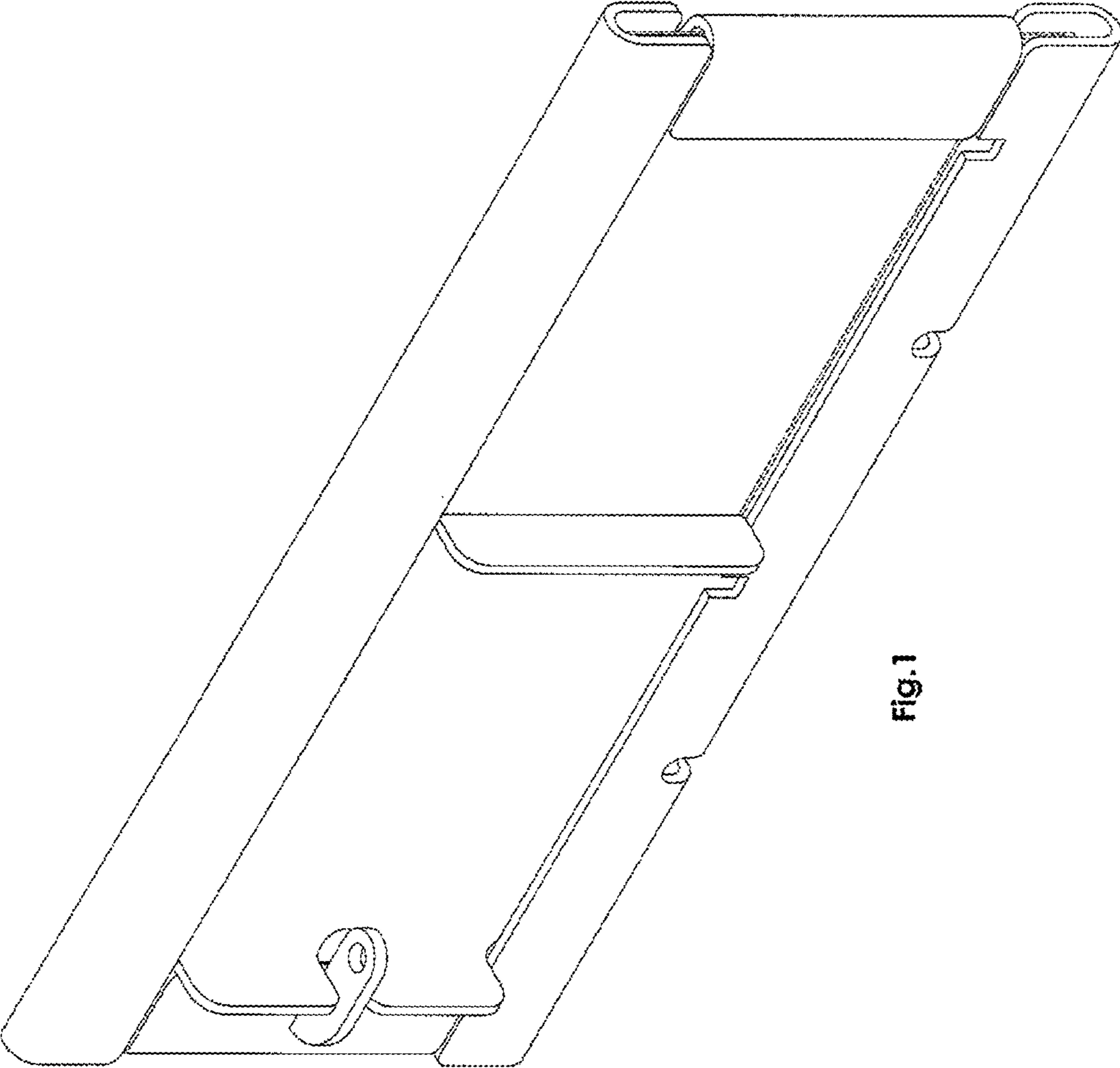


Fig. 1

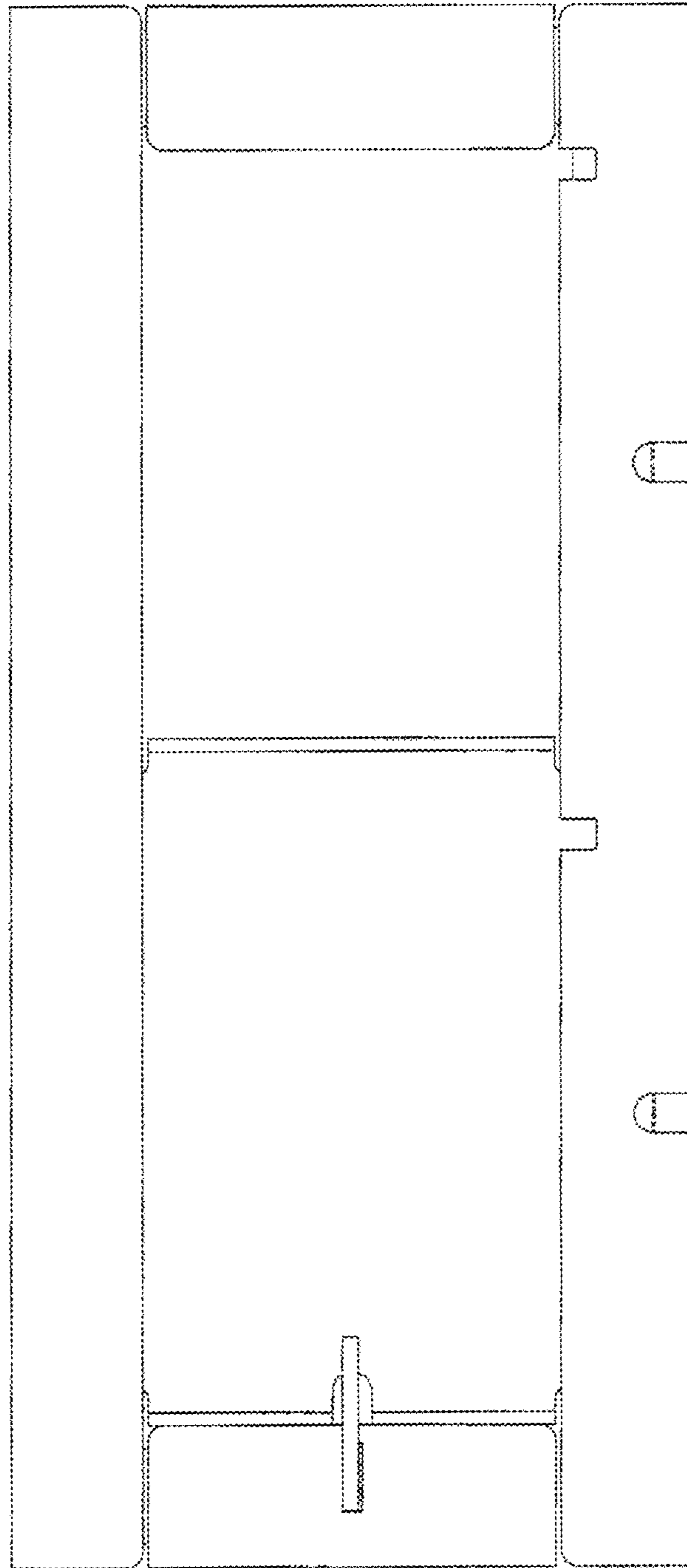


Fig. 2

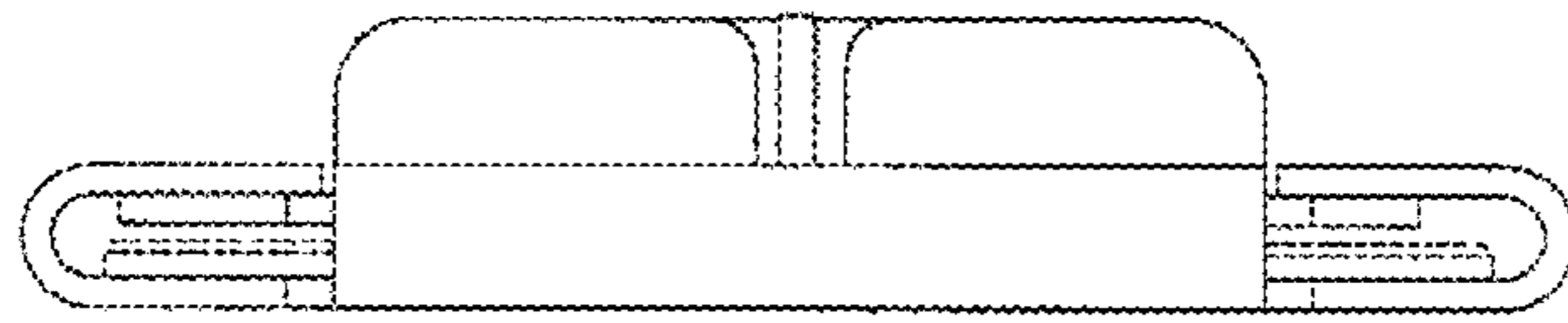


Fig. 3

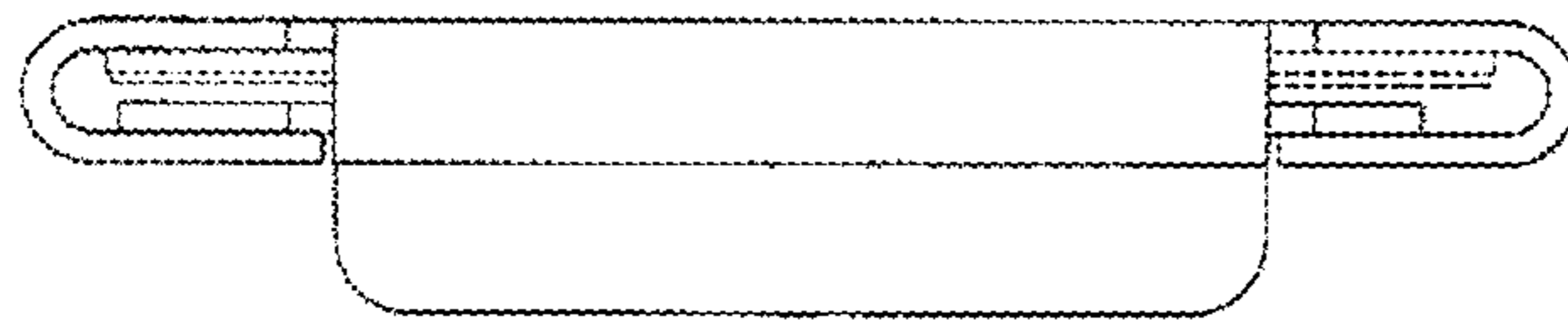


Fig. 4

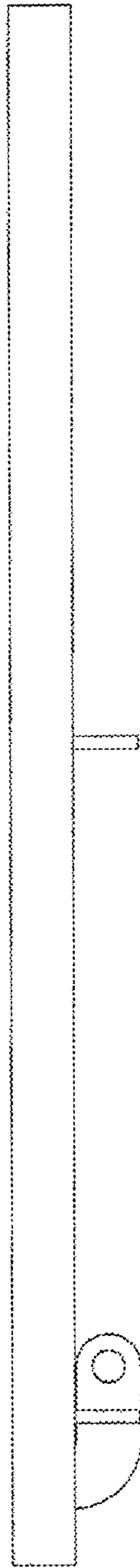


Fig. 5

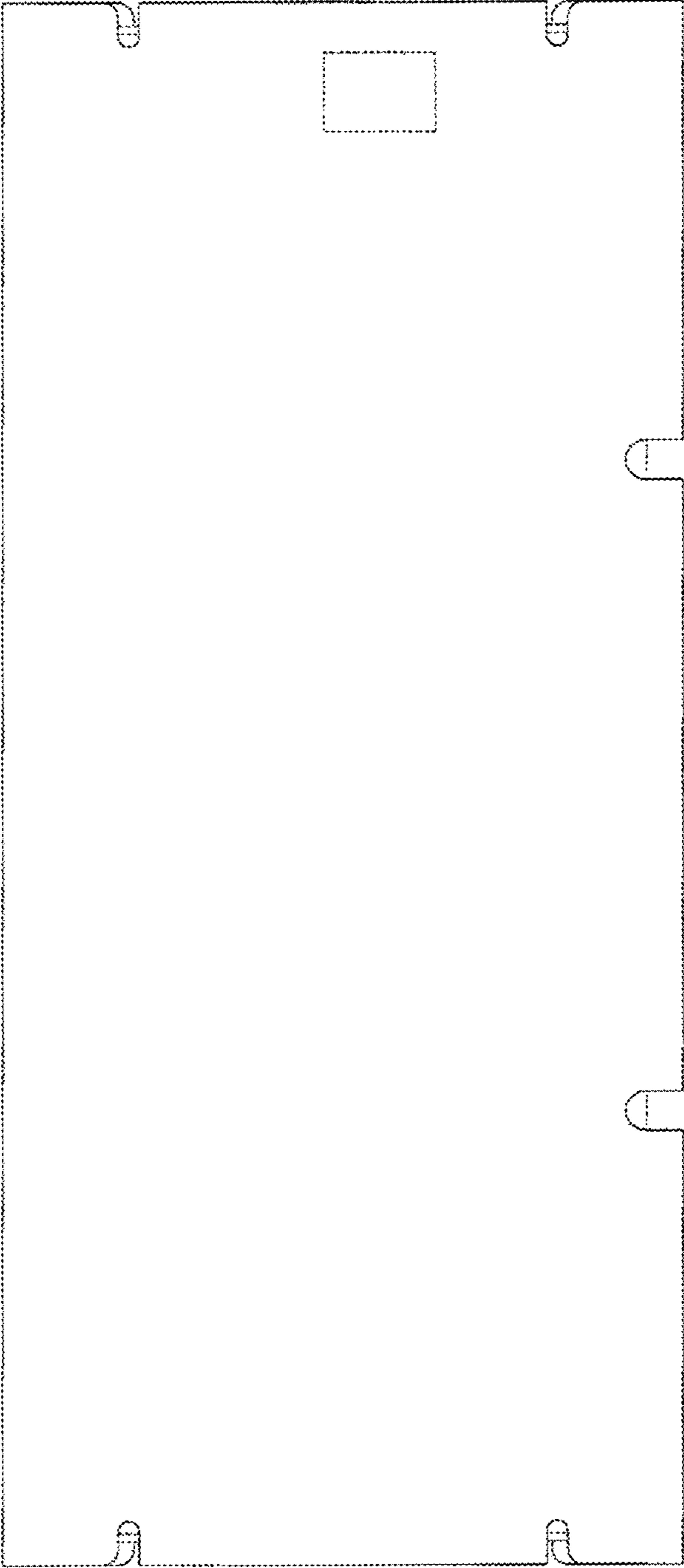


Fig. 6

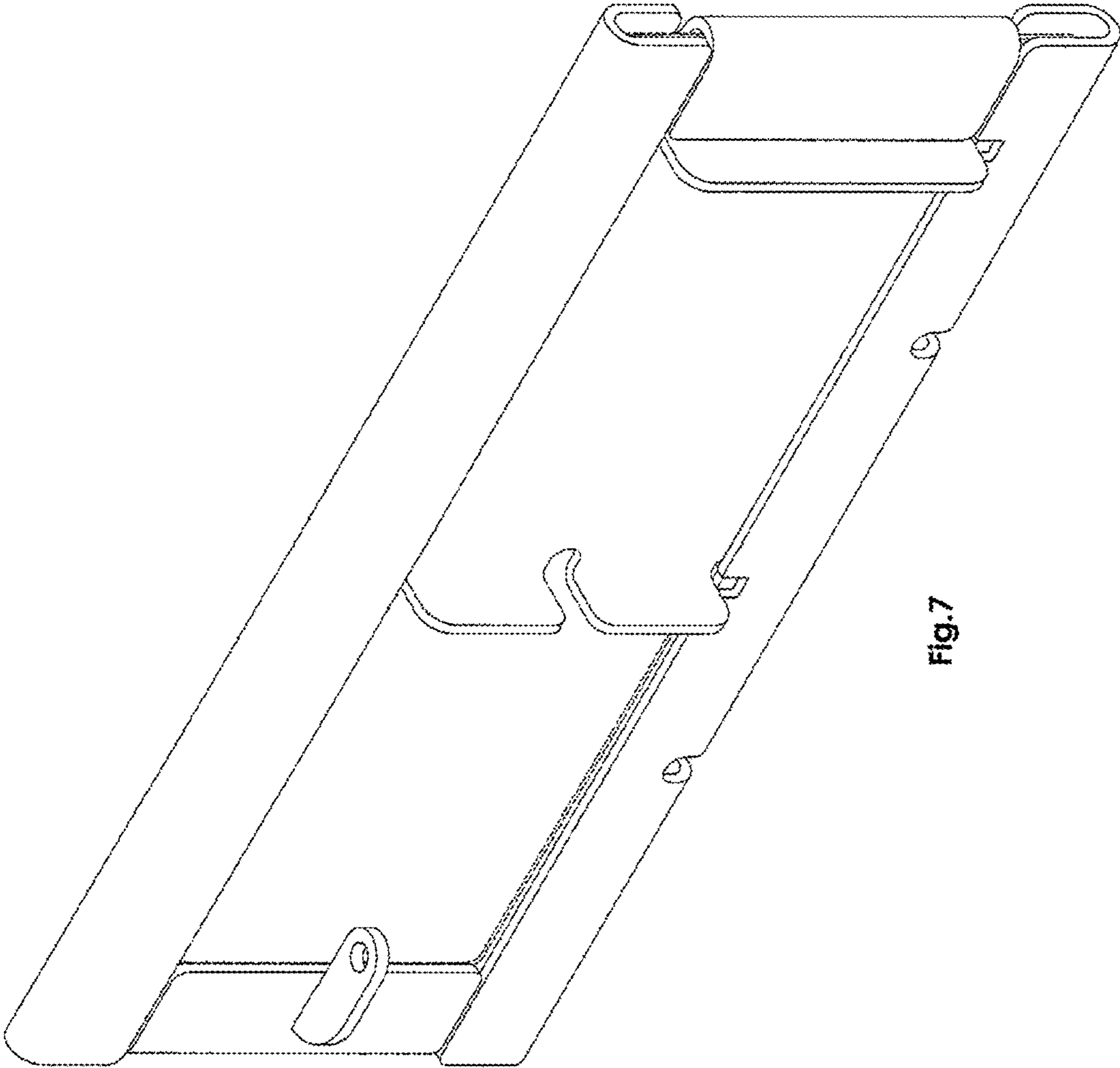


Fig.7