



US00D757946S

(12) **United States Design Patent**
Kikuchi et al.

(10) **Patent No.:** **US D757,946 S**
(45) **Date of Patent:** **** May 31, 2016**

- (54) **SLEEP MANAGEMENT DEVICE**
- (71) Applicants: **Hirokazu Kikuchi**, Hadano (JP); **Tohru Fukumoto**, Tokyo (JP)
- (72) Inventors: **Hirokazu Kikuchi**, Hadano (JP); **Tohru Fukumoto**, Tokyo (JP)
- (73) Assignee: **Toyota Jidosha Kabushiki Kaisha** (JP)
- (**) Term: **14 Years**
- (21) Appl. No.: **29/488,791**
- (22) Filed: **Apr. 23, 2014**
- (51) **LOC (10) Cl.** **24-01**
- (52) **U.S. Cl.**
USPC **D24/186**
- (58) **Field of Classification Search**
USPC D24/165–168, 186, 187, 107, 200;
D10/70, 75, 97, 98; 600/301, 382–384,
600/386, 390, 483, 500–503, 508, 509, 513
CPC A61B 5/4809; A61B 5/4812
See application file for complete search history.

(56) **References Cited**

U.S. PATENT DOCUMENTS

D367,533	S	*	2/1996	Pinchuk	D10/106.1
D605,305	S	*	12/2009	Carter	D24/231
D608,451	S	*	1/2010	Hanoun	D24/186
D663,430	S	*	7/2012	Rapp	D24/186
D692,145	S	*	10/2013	Al-Ali	D24/186
D709,204	S	*	7/2014	Kovach	D24/187
D717,680	S	*	11/2014	Park	D10/70
D718,868	S	*	12/2014	Schroderus	D24/167
D732,989	S	*	6/2015	Ogihara	D10/70
2013/0018284	A1	*	1/2013	Kahn	G04G 13/026 600/595

OTHER PUBLICATIONS

Omron, HSL-001, <<http://www.healthcare.omron.co.jp/product/hsl/hsl-001.html>>, available in 2012.

Sleeptracker, Sleep Tracker PRO, <<http://www.sleeptracker.jp/>>, available in 2011.
 Daikin, Soine, <http://www.daikin-ec.com/LP/soine_01/?ID=product>, available in 2011.
 Fitbit, Fitbit one, <<https://www.fitbit.com/jp/one/gallery>>, available in 2012.
 Jawbone, Up by Jawbone, <<http://trinity.jp/products/jawbone/up/>>, available in 2013.
 Omron, HSL-101, <<http://www.healthcare.omron.co.jp/corp/news/2012/0229-02.html>>, available Feb. 29, 2012.
 Tanita, SL-504, <http://www.tanita.co.jp/shop/g/_TSL504WH/>, available in 2012.

(Continued)

Primary Examiner — Anhdao Doan
(74) *Attorney, Agent, or Firm* — Saidman DesignLaw Group, LLC

(57) **CLAIM**

The ornamental design for a sleep management device, as shown and described.

DESCRIPTION

FIG. 1 is a front perspective view of a sleep management device showing our new design;
 FIG. 2 is a rear perspective view thereof;
 FIG. 3 is a front view thereof;
 FIG. 4 is a rear view thereof;
 FIG. 5 is a left side view thereof;
 FIG. 6 is a right side view thereof;
 FIG. 7 is a top view thereof; and,
 FIG. 8 is a bottom view thereof.
 The claimed design is indicated by the relatively dark portions in the figures. The relatively light portions, specifically the rear hook portion and the left side button portion form no part of the claimed design.
 The drawings include grayscale surface shading which illustrates contour, not any particular color. The drawings include shadows and reflections which indicate contour, not surface ornamentation.

1 Claim, 7 Drawing Sheets



(56)

References Cited

OTHER PUBLICATIONS

ITC Co., Ltd., NEM-T1, <<http://www.itc-ltd.co.jp/toshiba-watch.html>>, available in 2012.

Sleepwell, Mumin-kei, <<http://sleepwell.co.jp/>>, <<http://www.kansai.meti.go.jp/2-4bio/contents/ventureview2012/2-01-18.pdf>>, available in 2012.

* cited by examiner



Fig. 1



Fig. 2



Fig. 3

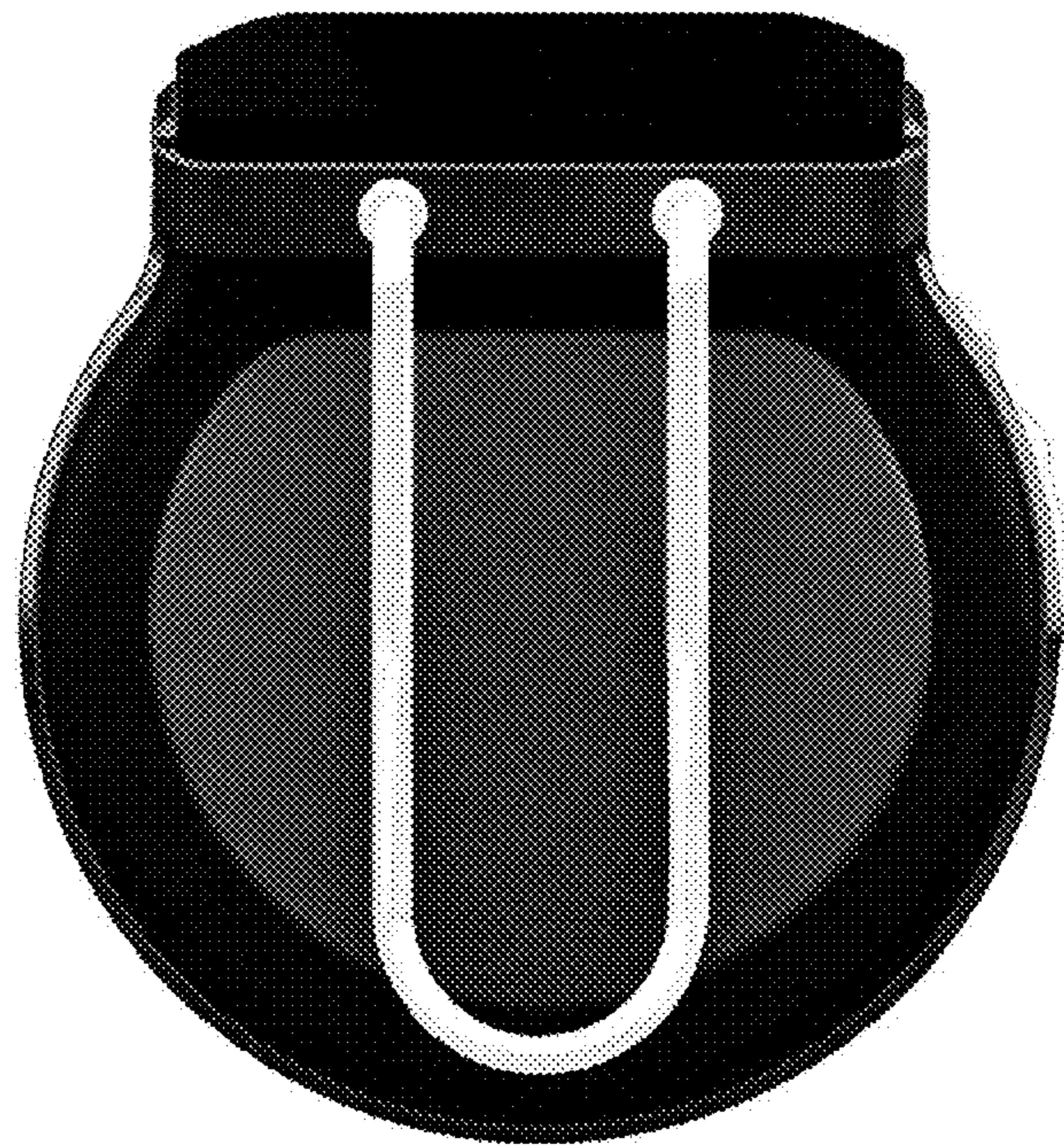


Fig. 4

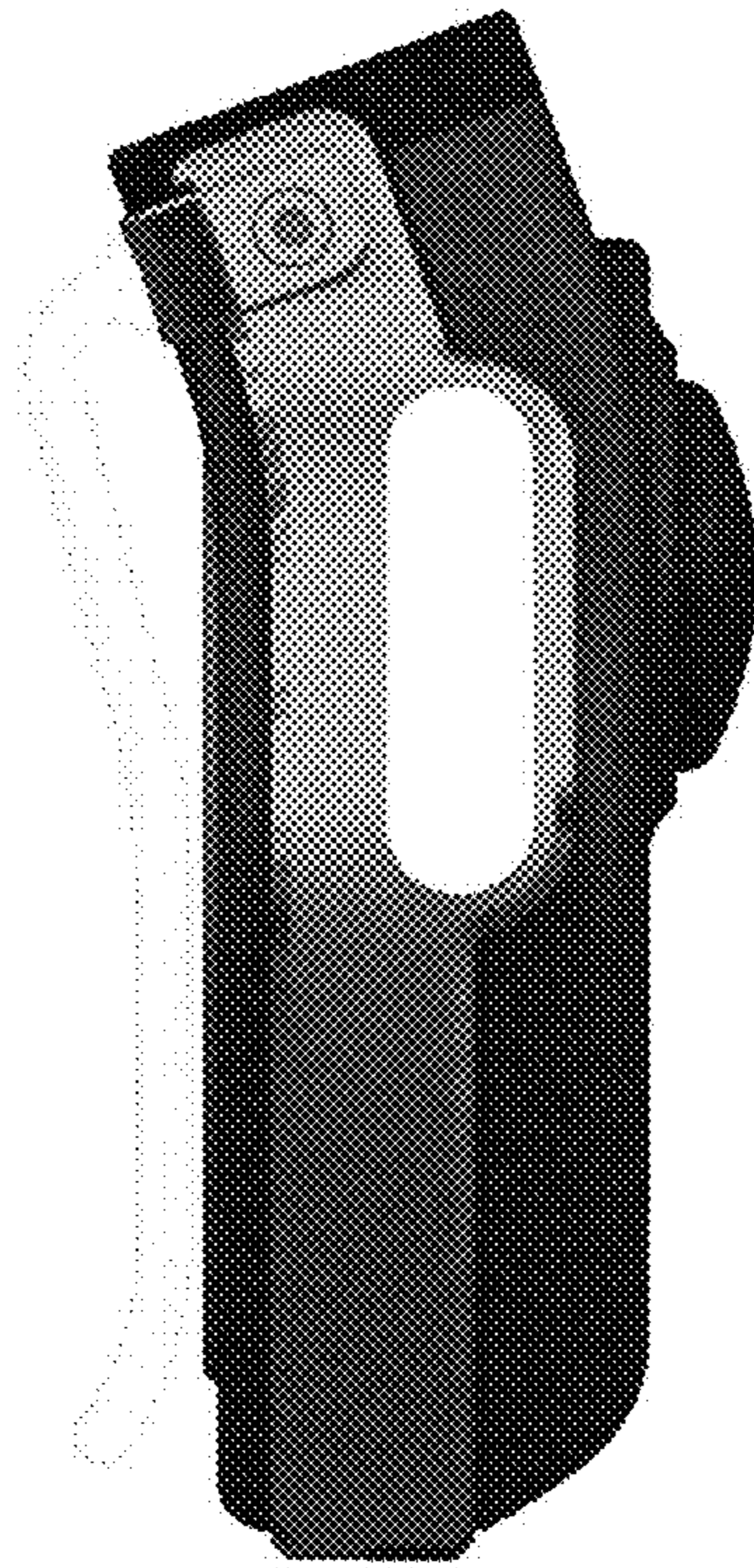


Fig. 5

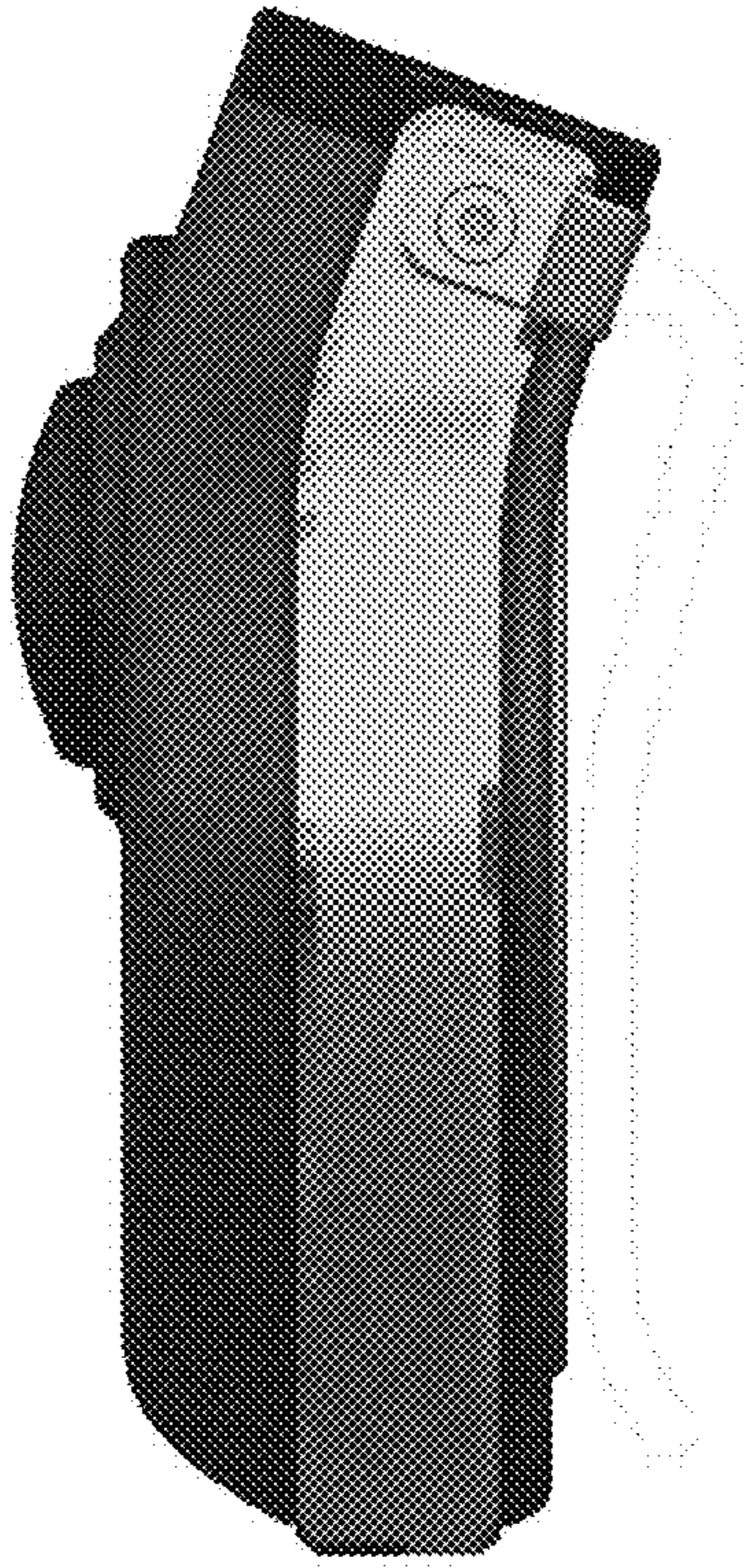


Fig. 6

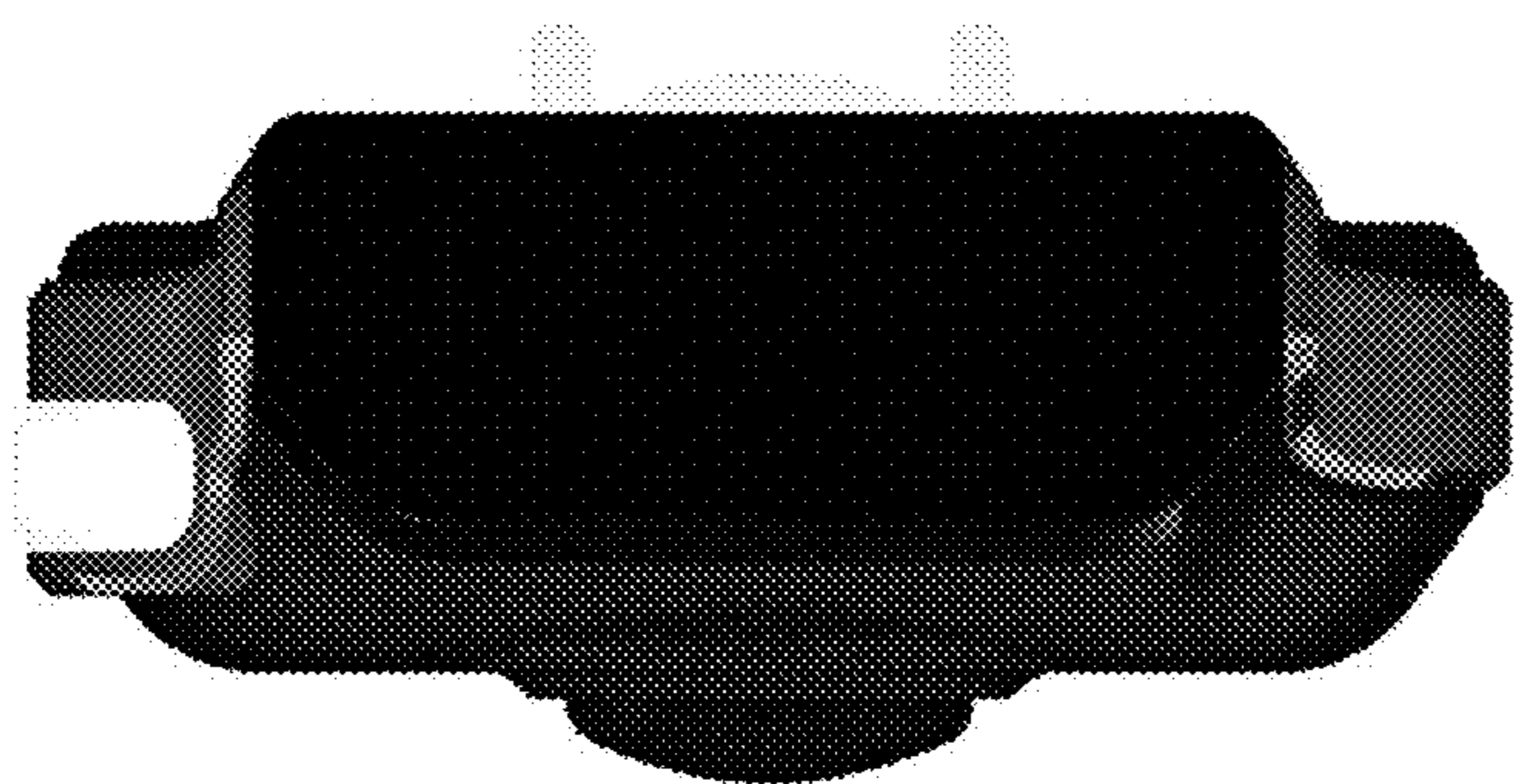


Fig. 7

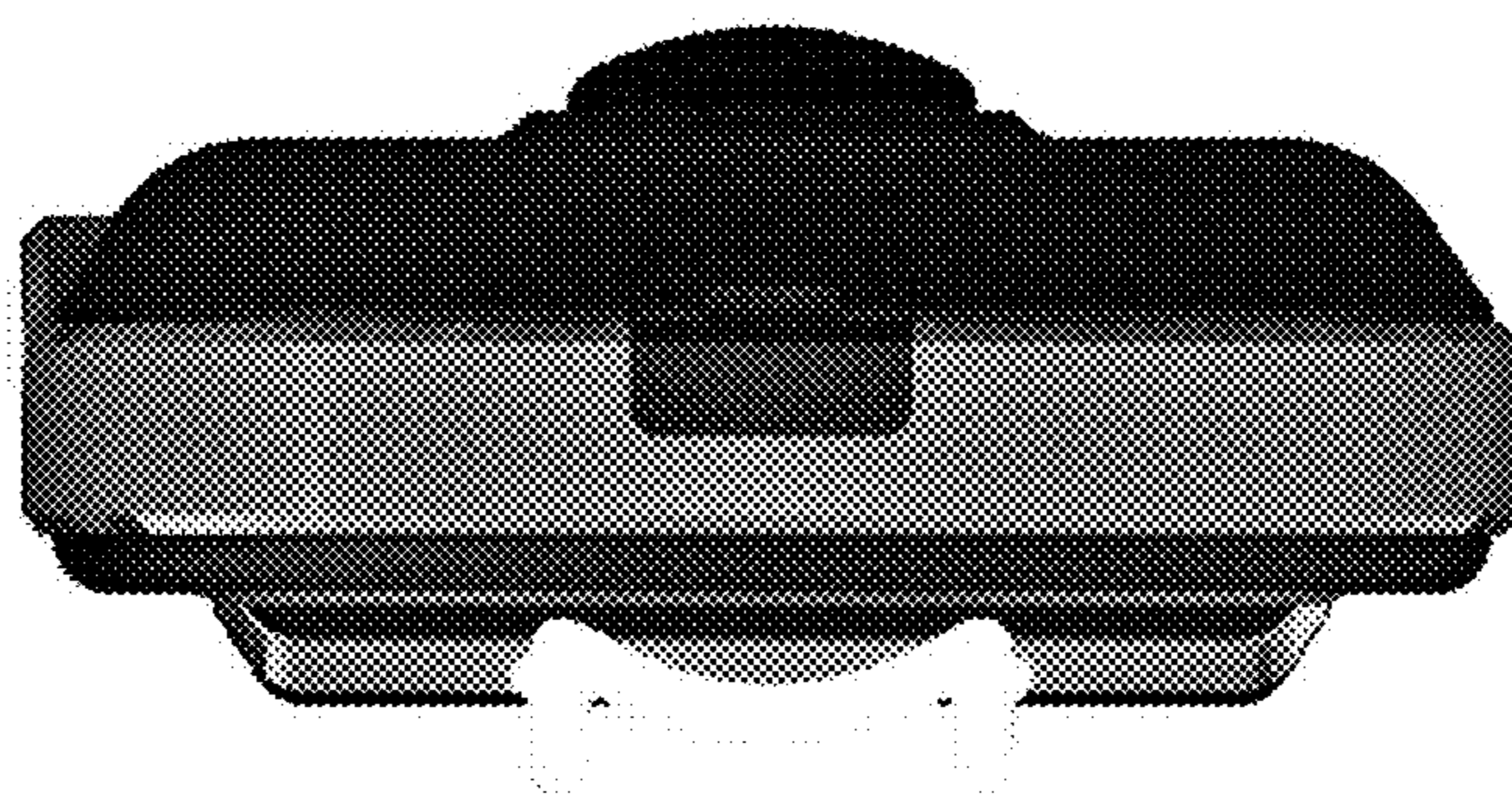


Fig. 8