



US00D757944S

(12) **United States Design Patent**  
**Bishop et al.**

(10) **Patent No.:** **US D757,944 S**  
(45) **Date of Patent:** **\*\* May 31, 2016**

- (54) **HEARING AID BATTERY DOOR**
- (71) Applicant: **ZPower, LLC**, Camarillo, CA (US)
- (72) Inventors: **Samuel T. Bishop**, Camarillo, CA (US);  
**Andrew F. Elms**, Newbury Park, CA (US);  
**Leslie G. Farkas**, Oak Veiw, CA (US);  
**Troy W. Renken**, Camarillo, CA (US)
- (73) Assignee: **ZPower, LLC**, Camarillo, CA (US)
- (\*\*) Term: **15 Years**
- (21) Appl. No.: **29/530,314**
- (22) Filed: **Jun. 16, 2015**
- (51) **LOC (10) Cl.** ..... **24-99**
- (52) **U.S. Cl.**  
USPC ..... **D24/174**
- (58) **Field of Classification Search**  
USPC ..... D24/173-175; D14/205, 223-226, 249;  
D13/103, 108, 119  
CPC .. H04R 2225/025; H04R 25/60; H04R 25/63;  
H04R 25/67; H04R 25/602; H04R 25/604;  
H04R 25/608; H04R 25/65; H04R 25/652;  
H02J 7/0044; H01M 2/1022; H01M 2200/30  
See application file for complete search history.

- (56) **References Cited**  
U.S. PATENT DOCUMENTS  
D354,568 S \* 1/1995 Araki ..... D24/174  
D457,635 S 5/2002 Dittli  
6,546,110 B1 4/2003 Vonlanthen  
6,658,125 B1 \* 12/2003 Batting ..... H04R 25/602  
381/322  
7,068,804 B2 \* 6/2006 Batting ..... H04R 25/556  
381/323  
7,076,075 B2 7/2006 Jorgensen  
D579,567 S 10/2008 Pedersen  
D599,908 S 9/2009 Nielsen

- 7,646,878 B2 1/2010 Vonlanthen et al.
- D622,855 S 8/2010 Cano, Jr.
- D635,263 S 3/2011 Meinertz
- D646,788 S 10/2011 Dubs et al.
- 8,073,173 B2 12/2011 Onodera
- D663,847 S 7/2012 Dubs et al.
- D676,559 S 2/2013 Meinertz
- D676,967 S 2/2013 Meinertz
- D676,969 S 2/2013 Meinertz
- D682,429 S 5/2013 Campbell et al.
- D687,952 S 8/2013 Dubs
- D690,820 S 10/2013 Nielsen
- D698,024 S 1/2014 Meinertz
- D701,604 S 3/2014 Dubs
- 8,767,990 B2 7/2014 Spragge

(Continued)

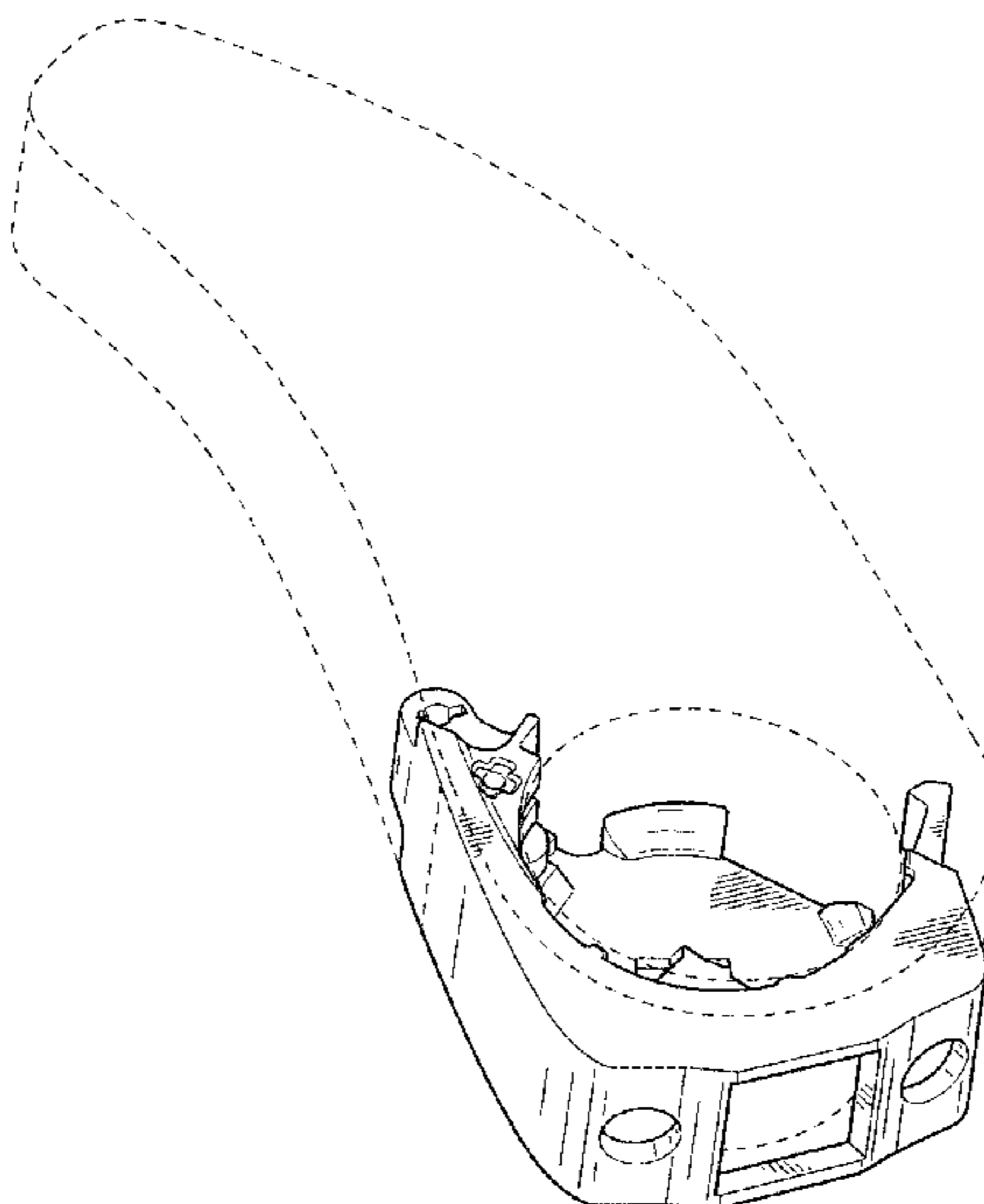
*Primary Examiner* — Anhdao Doan  
(74) *Attorney, Agent, or Firm* — Honigman Miller Schwartz and Cohn LLP; Andrew N. Weber; Jonathan P. O'Brien

(57) **CLAIM**  
We claim the ornamental design for a hearing aid battery door, as shown and described.

**DESCRIPTION**

FIG. 1 is a left perspective view of a hearing aid battery door, showing our new design;  
FIG. 2 is a left view of the hearing aid battery door of FIG. 1;  
FIG. 3 is a right view of the hearing aid battery door of FIG. 1;  
FIG. 4 is a front view of the hearing aid battery door of FIG. 1;  
FIG. 5 is a rear view of the hearing aid battery door of FIG. 1;  
FIG. 6 is a top view of the hearing aid battery door of FIG. 1; and,  
FIG. 7 is a bottom view of the hearing aid battery door of FIG. 1.  
The broken lines in the drawing views are directed to an environmental subject matter and form no part of the claimed design.

**1 Claim, 5 Drawing Sheets**



# US D757,944 S

Page 2

(56)

## References Cited

### U.S. PATENT DOCUMENTS

8,903,112 B2 12/2014 Lu  
D722,167 S 2/2015 Li  
D722,168 S 2/2015 Darkes  
2007/0047751 A1\* 3/2007 Heerlein ..... H04R 25/602  
381/324  
2008/0044049 A1\* 2/2008 Ho ..... H04R 25/602  
381/323  
2010/0226519 A1\* 9/2010 Spragge ..... H04R 25/602  
381/323

2010/0290655 A1\* 11/2010 Takeda ..... H04R 25/602  
381/323  
2011/0200218 A1\* 8/2011 Borregaard ..... H04R 25/602  
381/323  
2013/0195303 A1\* 8/2013 Tada ..... H04R 25/602  
381/323  
2014/0177893 A1\* 6/2014 Lu ..... H04R 25/602  
381/323  
2015/0249895 A1\* 9/2015 Etwil ..... H04R 25/65  
381/323

\* cited by examiner

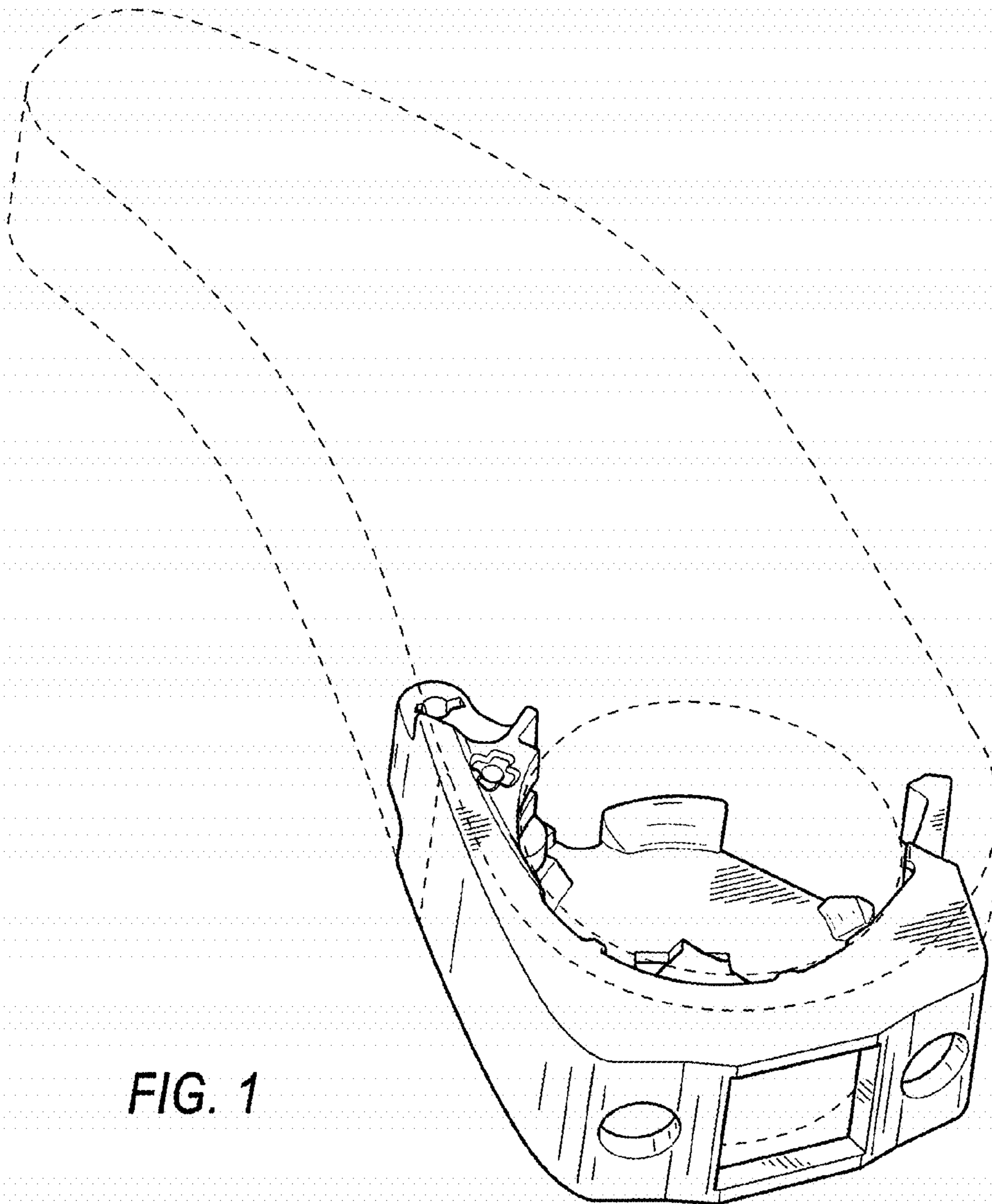


FIG. 1

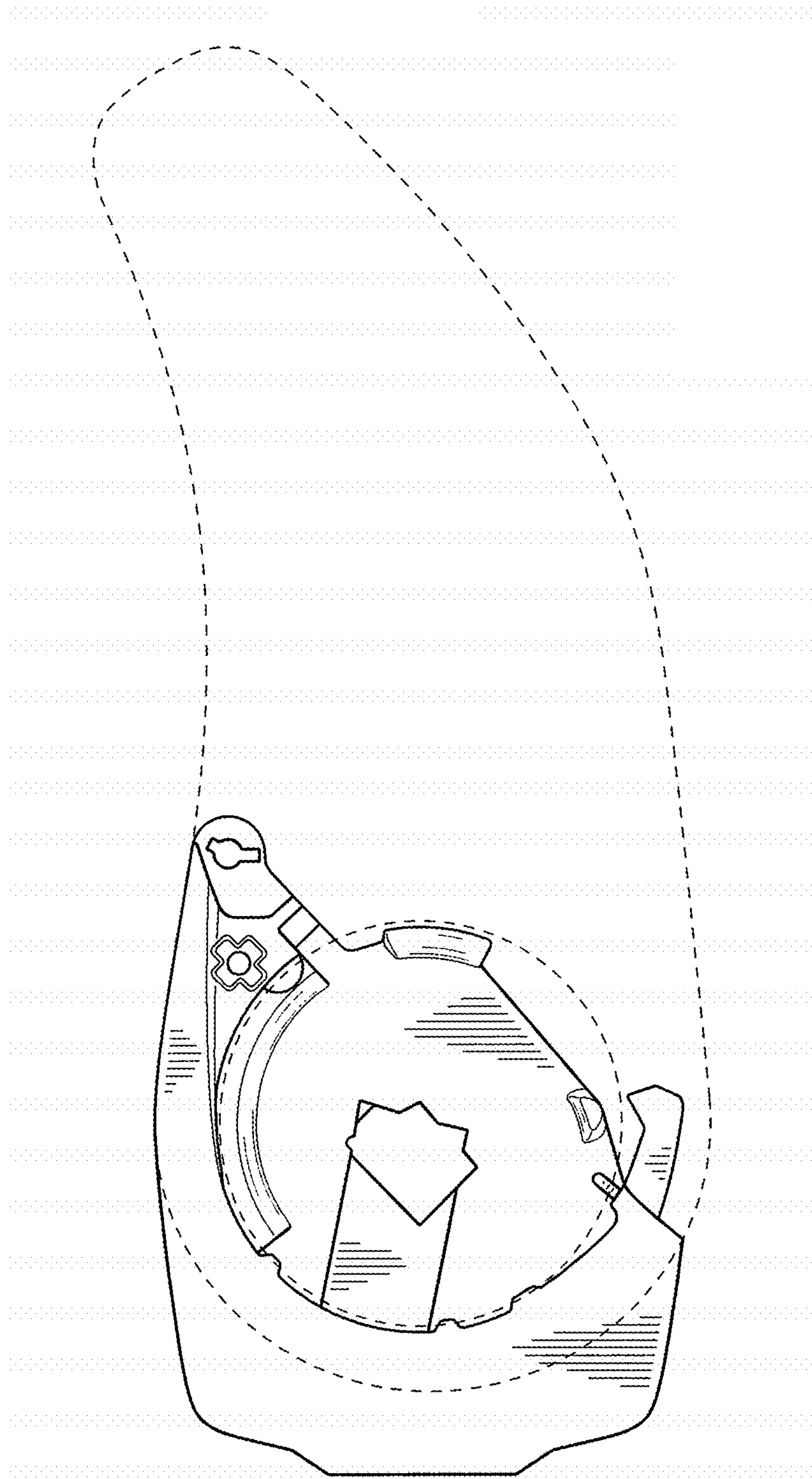


FIG. 2

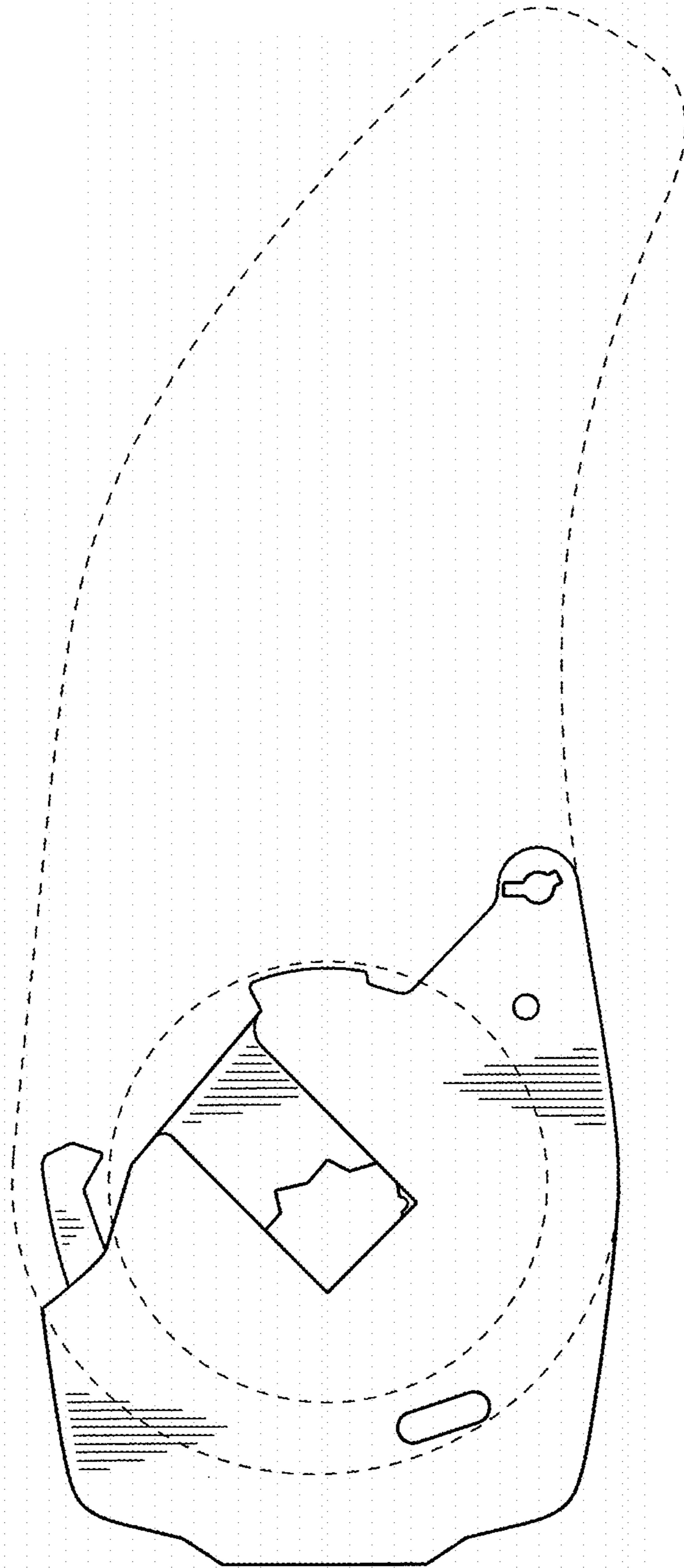


FIG. 3

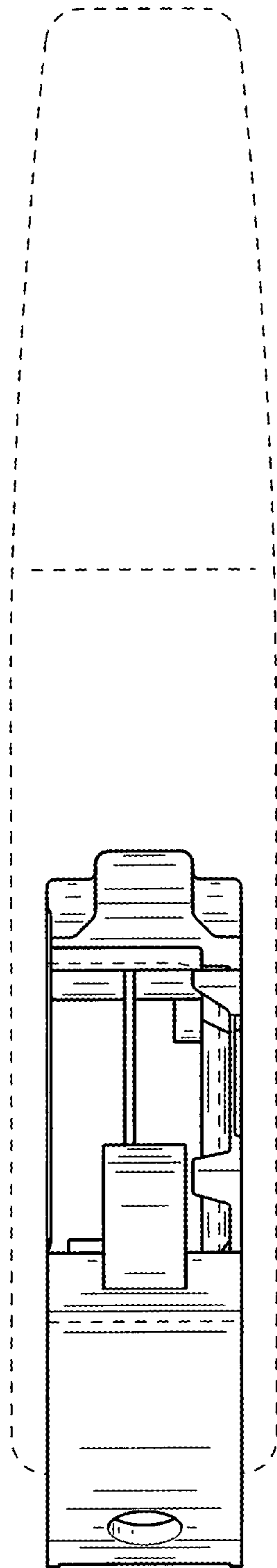


FIG. 4

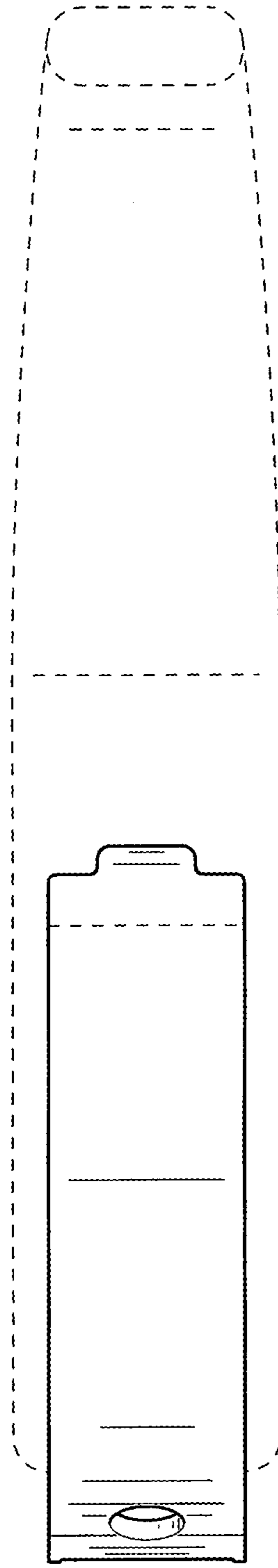


FIG. 5



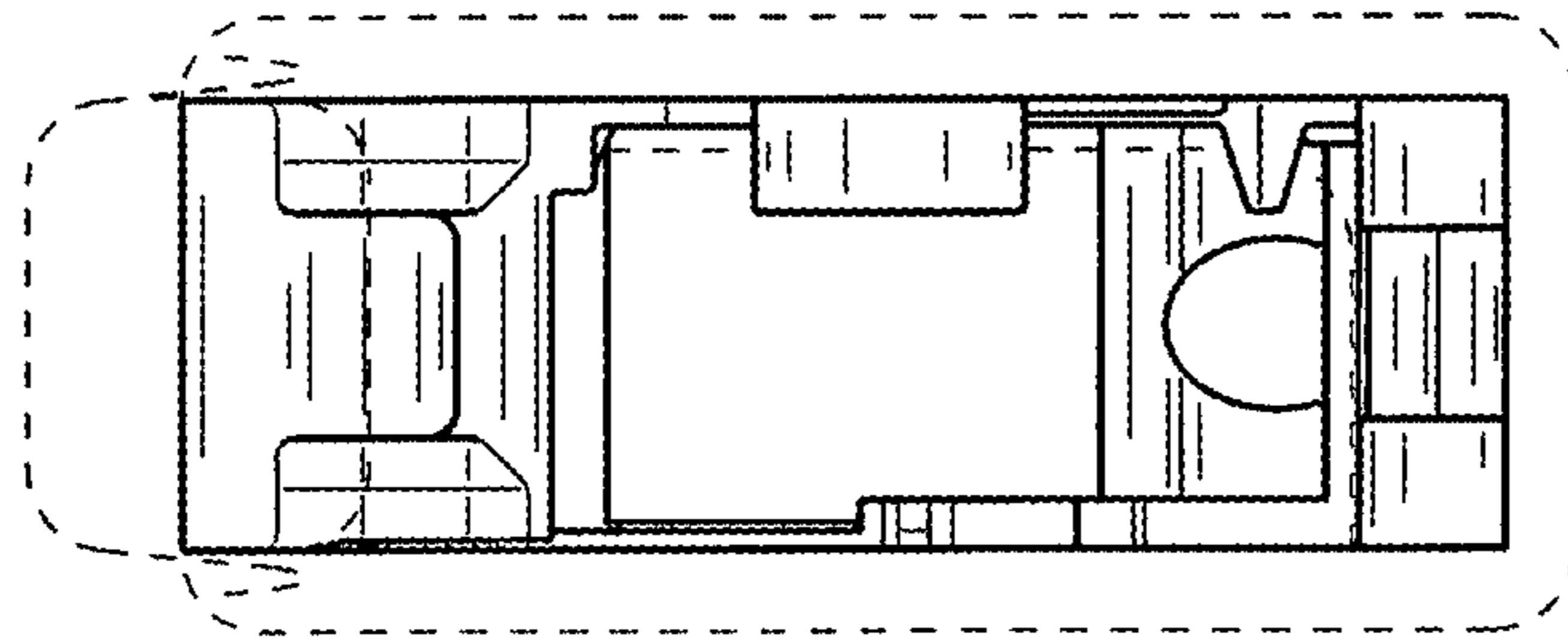


FIG. 6

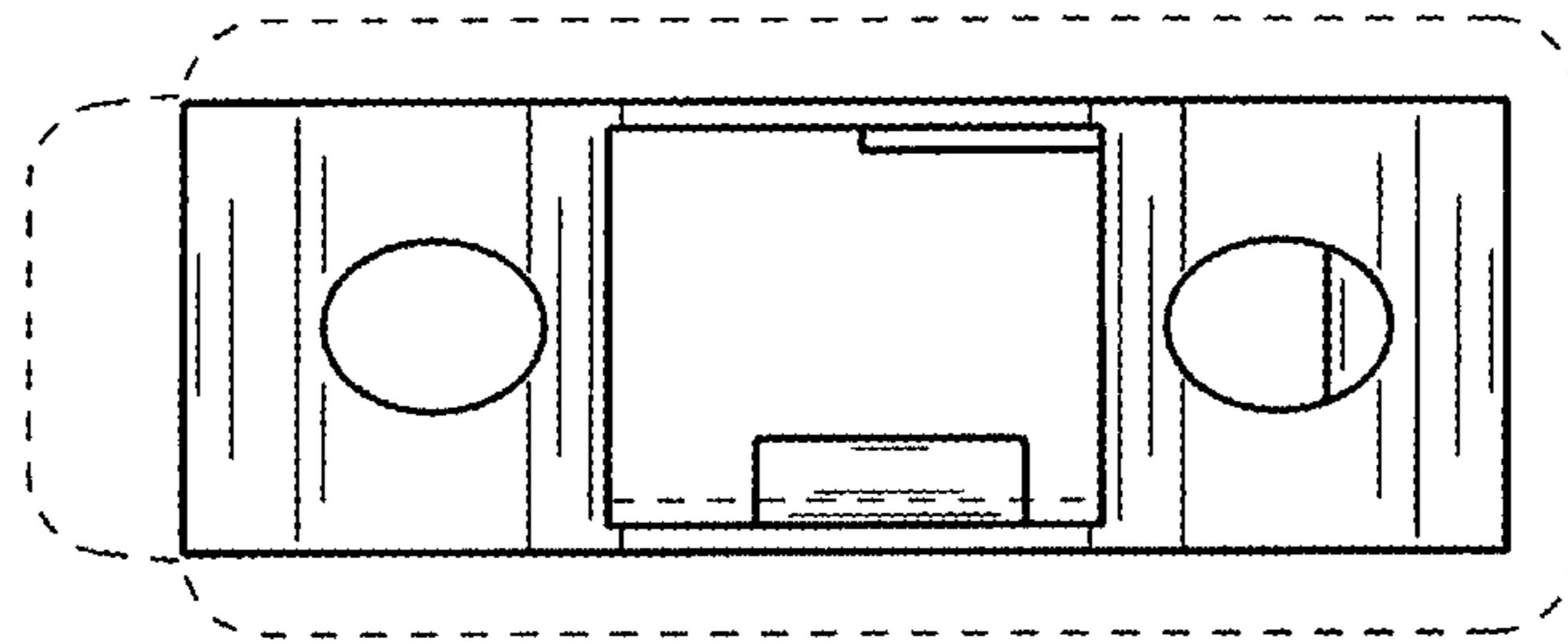


FIG. 7