



US00D757942S

(12) **United States Design Patent**
Suwito et al.

(10) **Patent No.:** **US D757,942 S**
(45) **Date of Patent:** **** May 31, 2016**

(54) **IMPLANTABLE CARDIOLOGICAL MONITORING DEVICE**

(71) Applicant: **BIOTRONIK SE & Co. KG**, Berlin (DE)
(72) Inventors: **Wantjinarjo Suwito**, West Linn, OR (US); **Hannes Kraetschmer**, West Linn, OR (US); **Jeffrey A. von Arx**, Lake Oswego, OR (US); **Dirk Muessig**, West Linn, OR (US); **Larry Stotts**, Tigard, OR (US)

(73) Assignee: **BIOTRONIK SE & Co. KG**, Berlin (DE)

(**) Term: **15 Years**

(21) Appl. No.: **29/526,759**

(22) Filed: **May 13, 2015**

(51) **LOC (10) Cl.** **24-01**

(52) **U.S. Cl.**
USPC **D24/167**; D24/186

(58) **Field of Classification Search**
USPC D24/164–168, 186, 187; D10/75, 70
CPC A61B 5/0402; A61B 5/0404; A61B 5/021; A61B 5/024; A61B 5/02438; A61B 2560/0462; A61B 2560/0205; A61B 2560/0418; G61N 1/375

See application file for complete search history.

(56) **References Cited**

U.S. PATENT DOCUMENTS

5,851,221 A * 12/1998 Rieder A61N 1/375 607/93
D539,178 S * 3/2007 Nakada D10/57
D559,987 S * 1/2008 Strother D24/187
D615,425 S * 5/2010 Shigeno D10/57
D623,755 S * 9/2010 Ikegame D24/186
2005/0245971 A1 * 11/2005 Brockway A61N 1/375 607/2
2008/0234598 A1 * 9/2008 Snyder A61B 5/0452 600/545
2013/0296661 A1 * 11/2013 Bornzin A61B 5/0205 600/301

* cited by examiner

Primary Examiner — Anhdao Doan

(74) *Attorney, Agent, or Firm* — Buchanan Ingersoll & Rooney PC

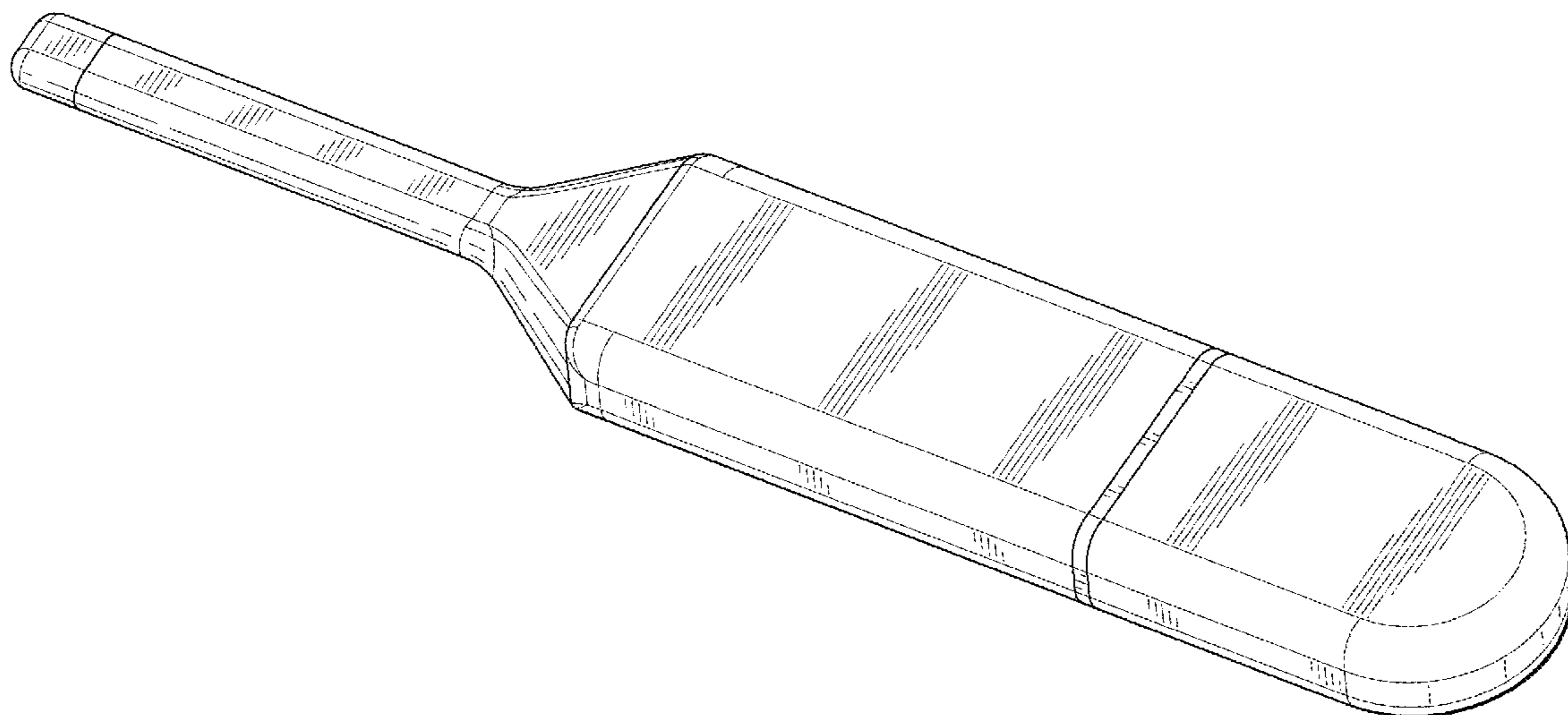
(57) **CLAIM**

The ornamental design for implantable cardiological monitoring device, as shown and described.

DESCRIPTION

FIG. 1 is a bottom perspective view of an implantable cardiological monitoring device;
FIG. 2 is a top perspective view thereof;
FIG. 3 is a side view thereof;
FIG. 4 is another side view thereof;
FIG. 5 is an end view thereof;
FIG. 6 is another view thereof;
FIG. 7 is a bottom view thereof; and,
FIG. 8 is a top view thereof.

1 Claim, 8 Drawing Sheets



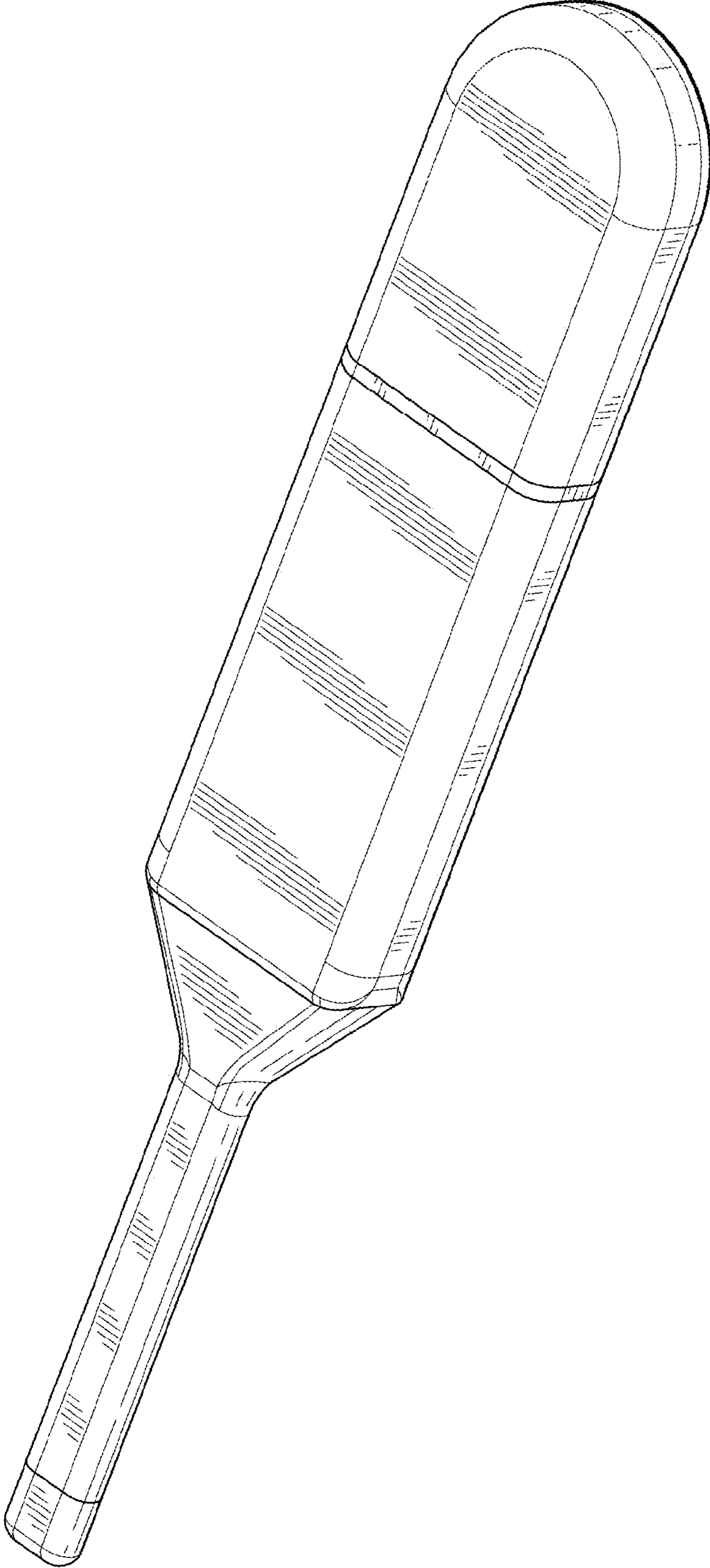


Fig. 1

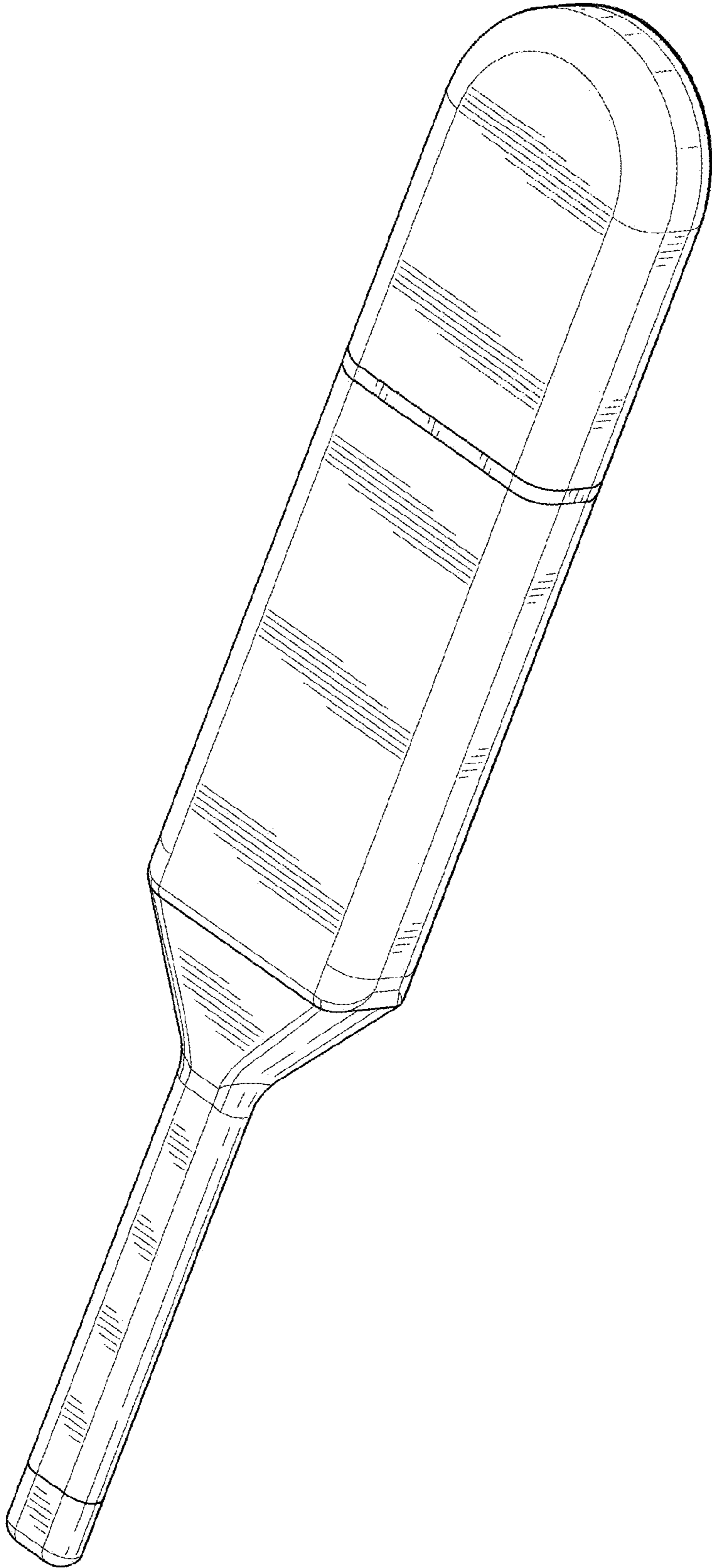


Fig. 2

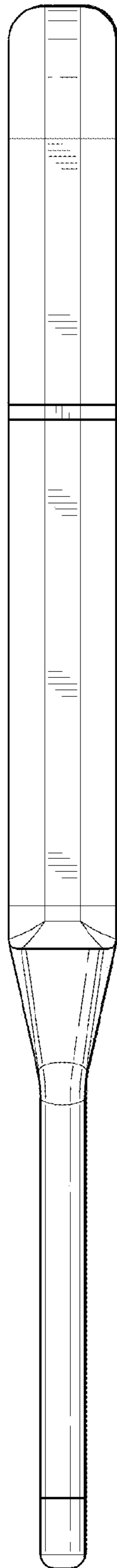


Fig. 3

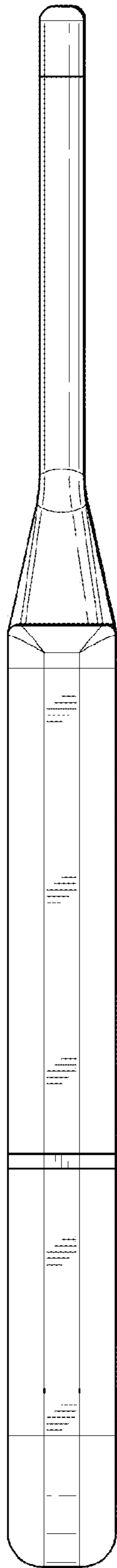


Fig. 4

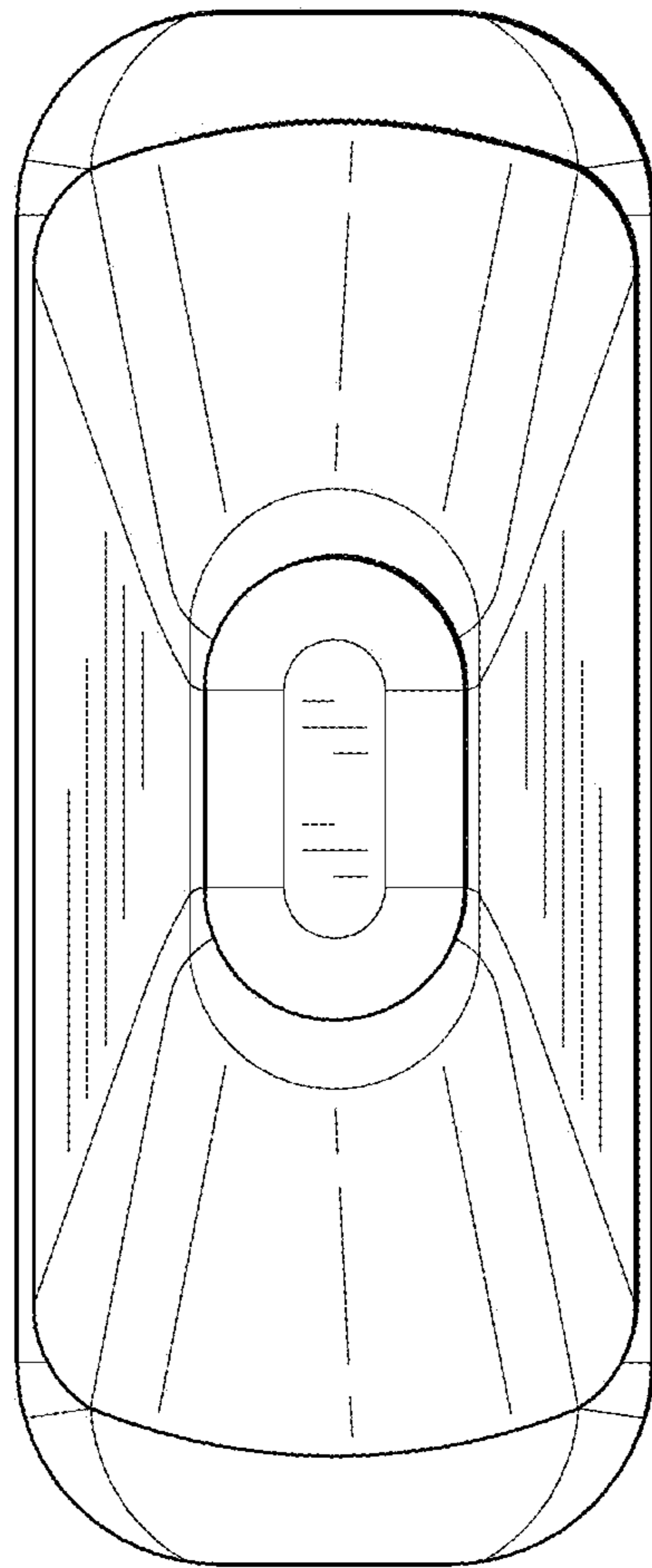


Fig. 5

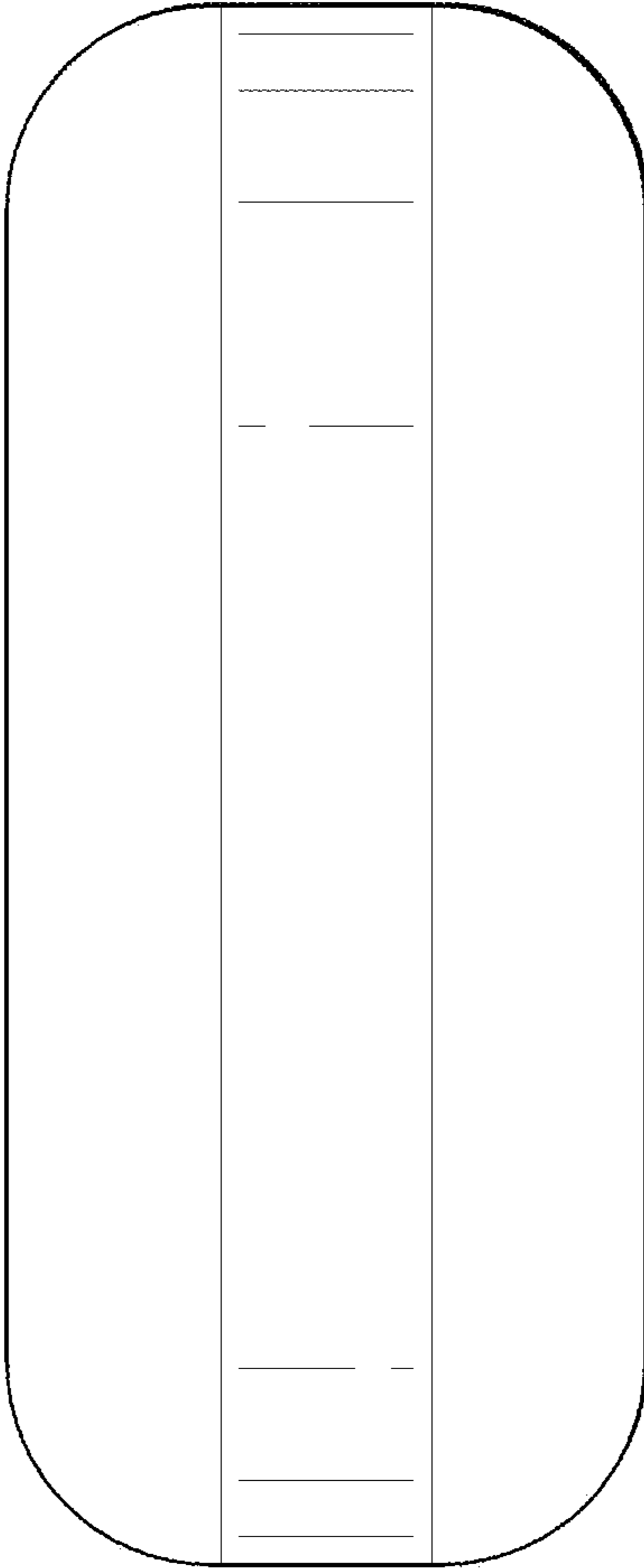


Fig. 6

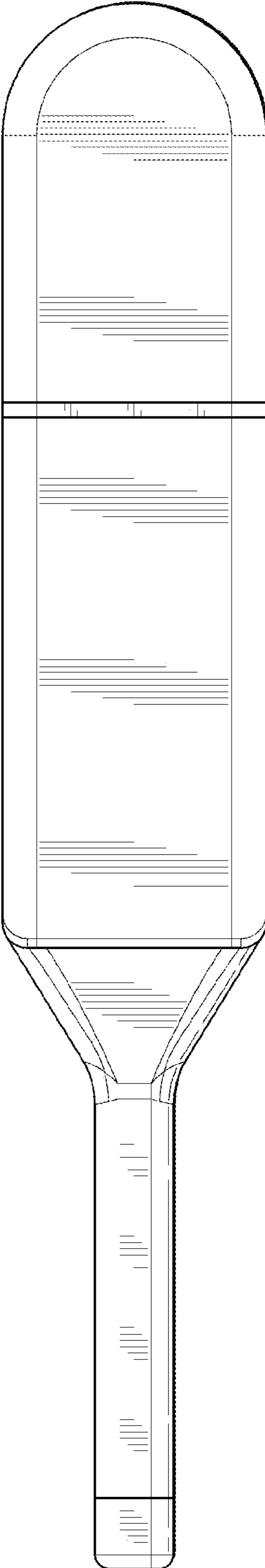


Fig. 7

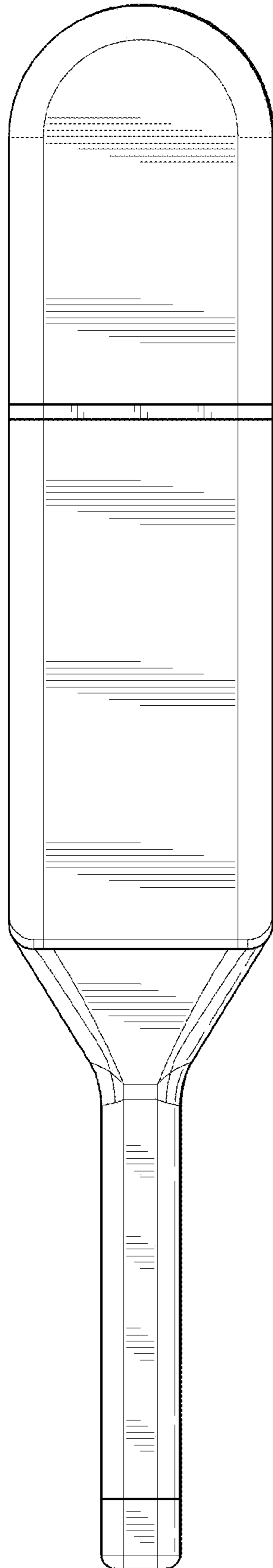


Fig. 8