



US00D757941S

(12) **United States Design Patent**
Birath et al.

(10) **Patent No.:** **US D757,941 S**
(45) **Date of Patent:** **** May 31, 2016**

- (54) **VENTILATOR CORE**
- (71) Applicants: **Martin Birath**, Lidingö (SE); **Karin Blomquist**, Sollentuna (SE); **Johan Reuterholt**, Bälsta (SE)
- (72) Inventors: **Martin Birath**, Lidingö (SE); **Karin Blomquist**, Sollentuna (SE); **Johan Reuterholt**, Bälsta (SE)
- (73) Assignee: **Maquet Critical Care AB**, Solna (SE)
- (**) Term: **14 Years**

D643,535 S *	8/2011	Ross	D24/164
D648,855 S	11/2011	Smith et al.		
D652,936 S	1/2012	Ross et al.		
D657,470 S	4/2012	Schon et al.		
D658,283 S *	4/2012	Burz	D24/110
8,240,684 B2	8/2012	Ross et al.		
8,286,977 B2	10/2012	Butler et al.		
D687,147 S	7/2013	Yoshida		
D687,149 S *	7/2013	Chang	D24/185
D696,395 S *	12/2013	Burz	D24/110
D696,783 S	12/2013	Chung et al.		
D697,626 S *	1/2014	Laplante	D24/186
D698,448 S *	1/2014	Heck	D24/191
D699,356 S *	2/2014	Patil	D24/164
D699,852 S	2/2014	Chung et al.		

(Continued)

(21) Appl. No.: **29/519,358**

(22) Filed: **Mar. 4, 2015**

(30) **Foreign Application Priority Data**

Sep. 12, 2014 (EM) 2537068

(51) **LOC (10) Cl.** **24-00**

(52) **U.S. Cl.**
USPC **D24/164**

(58) **Field of Classification Search**
USPC D24/164, 110, 185, 186, 158, 162;
108/6; D34/27; D6/681.2; 211/135; 1/1
CPC A47B 3/0812; A47B 21/00; A47F 5/0025
See application file for complete search history.

(56) **References Cited**

U.S. PATENT DOCUMENTS

D486,915 S	2/2004	Warschewske et al.		
D549,921 S *	8/2007	Reckelhoff	D34/27
D578,204 S *	10/2008	Lithgow	D24/110
7,490,837 B2	2/2009	Pond et al.		
D588,272 S	3/2009	Meiser		
D606,202 S	12/2009	Banryu		
D613,866 S	4/2010	Tanaka et al.		
D626,235 S	10/2010	Smith et al.		
D632,796 S	2/2011	Ross et al.		
D632,797 S	2/2011	Ross et al.		

Primary Examiner — Holly Baynham

Assistant Examiner — Rhea Shields

(74) *Attorney, Agent, or Firm* — Schiff Hardin LLP

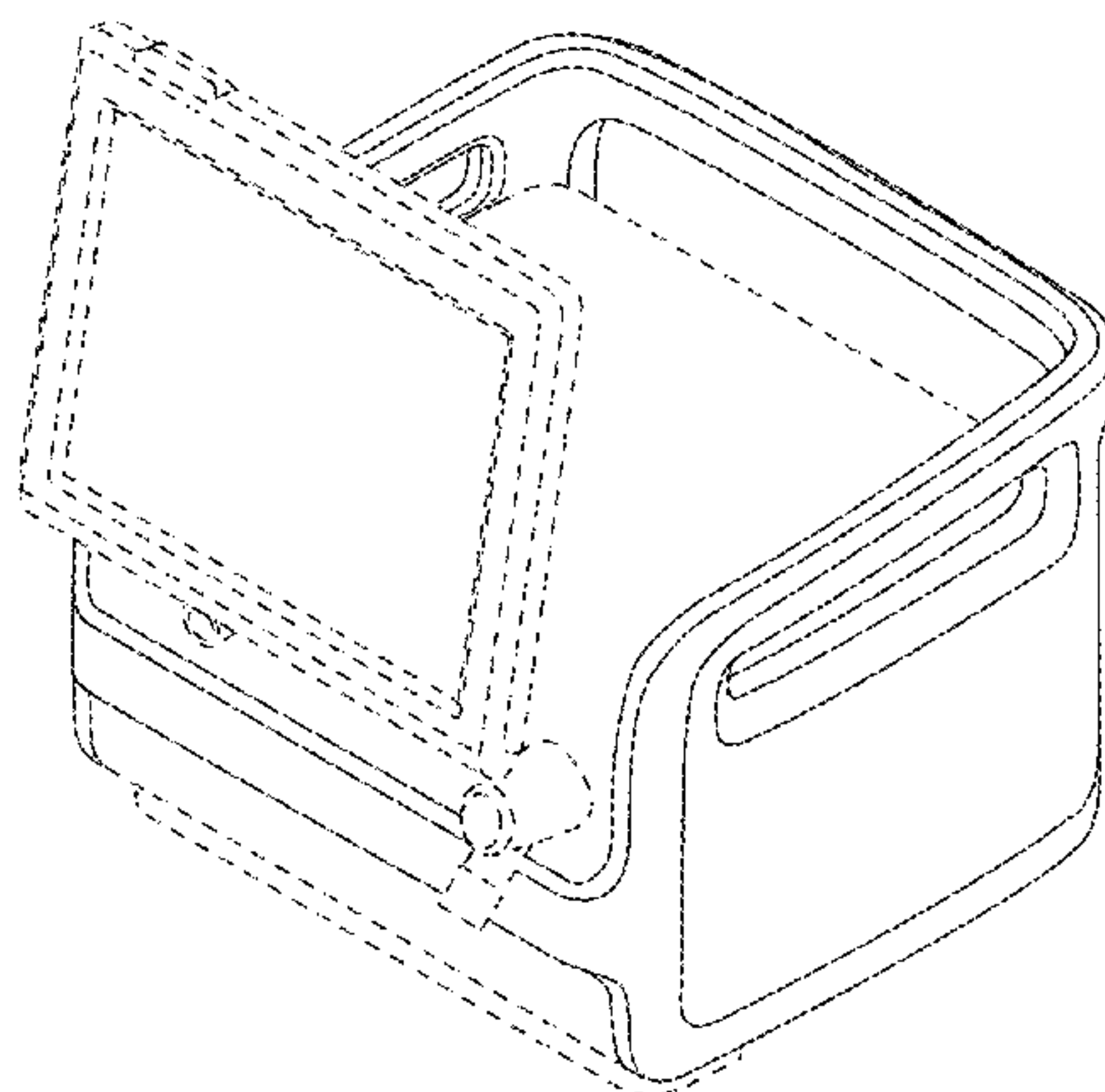
(57) **CLAIM**

The ornamental design for a ventilator core, as shown and described.

DESCRIPTION

FIG. 1 is a right front side perspective view of a ventilator core showing our new design;
 FIG. 2 is a right side elevational view of the ventilator core of FIG. 1;
 FIG. 3 is a left side elevational view of the ventilator core of FIG. 1;
 FIG. 4 is a front elevational view of the ventilator core of FIG. 1;
 FIG. 5 is a rear elevational view of the ventilator core of FIG. 1;
 FIG. 6 is a top plan view of the ventilator core of FIG. 1; and,
 FIG. 7 is a bottom plan view of the ventilator core of FIG. 1.
 In the drawings, the broken lines are for the purpose of illustrating environment only and form no part of the claimed design.

1 Claim, 7 Drawing Sheets



(56)

References Cited

U.S. PATENT DOCUMENTS

D700,704 S *	3/2014	Kitt	D24/185	8,944,260 B2 *	2/2015	Hawkins	A47F 5/0025 211/135
D700,705 S *	3/2014	Kitt	D24/185	D733,887 S *	7/2015	Blomquist	D24/164
D700,706 S *	3/2014	Molter	D24/185	D739,025 S *	9/2015	Blomquist	D24/164
D702,840 S *	4/2014	Blomquist	D24/164	D739,936 S *	9/2015	Blomquist	D24/162
D708,341 S *	7/2014	Ikegame	D24/185	9,149,111 B1 *	10/2015	Lin	A47B 3/0812
D720,165 S *	12/2014	Kincaid	D6/681.2	2003/0140822 A1 *	7/2003	Seiler	A47B 21/00 108/6
D720,854 S *	1/2015	Kim	D24/158	2005/0288571 A1	12/2005	Perkins et al.	
D722,696 S	2/2015	Blomquist et al.		2011/0056412 A1	3/2011	Grammer et al.	

* cited by examiner

FIG. 1

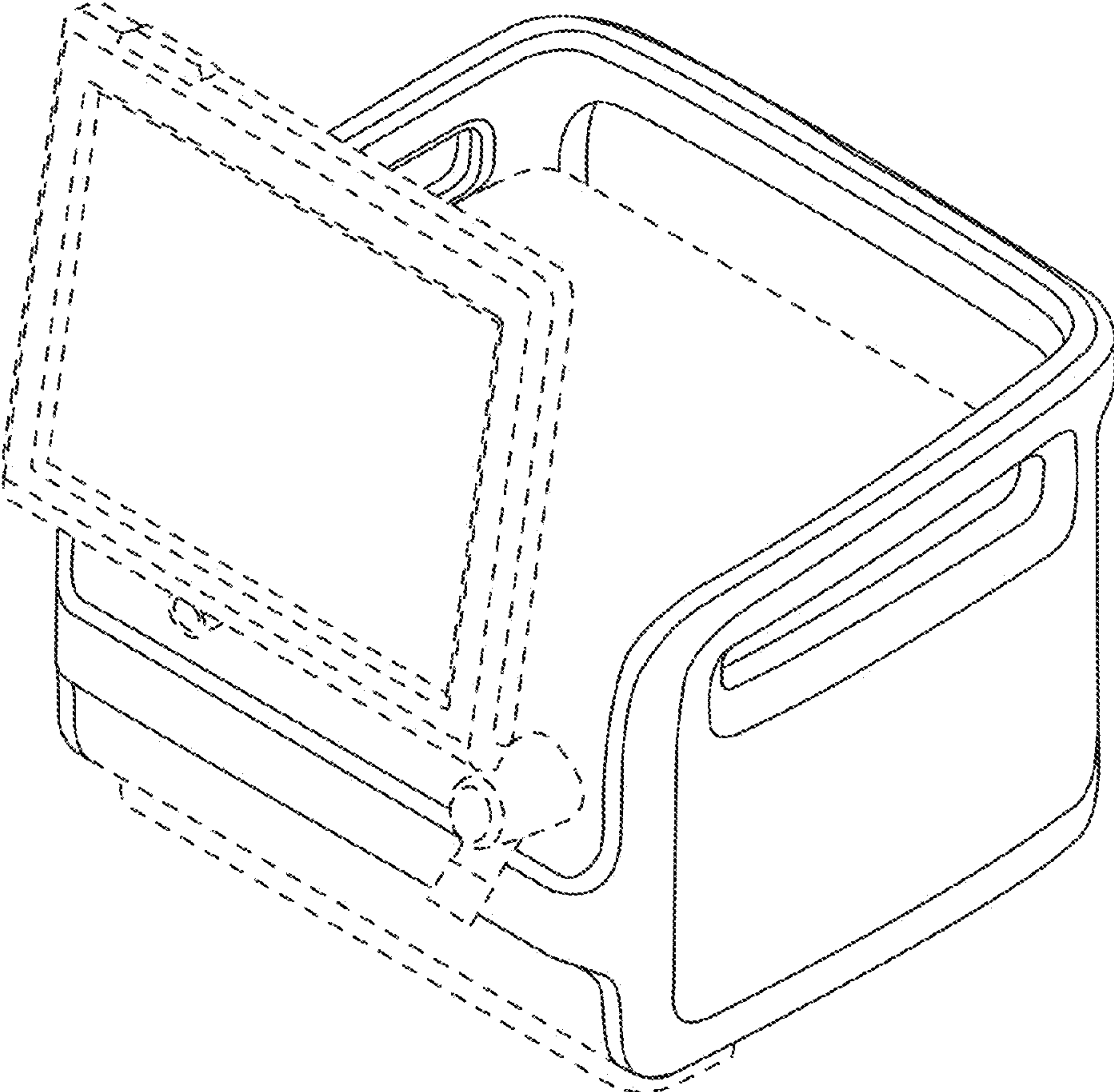


FIG. 2

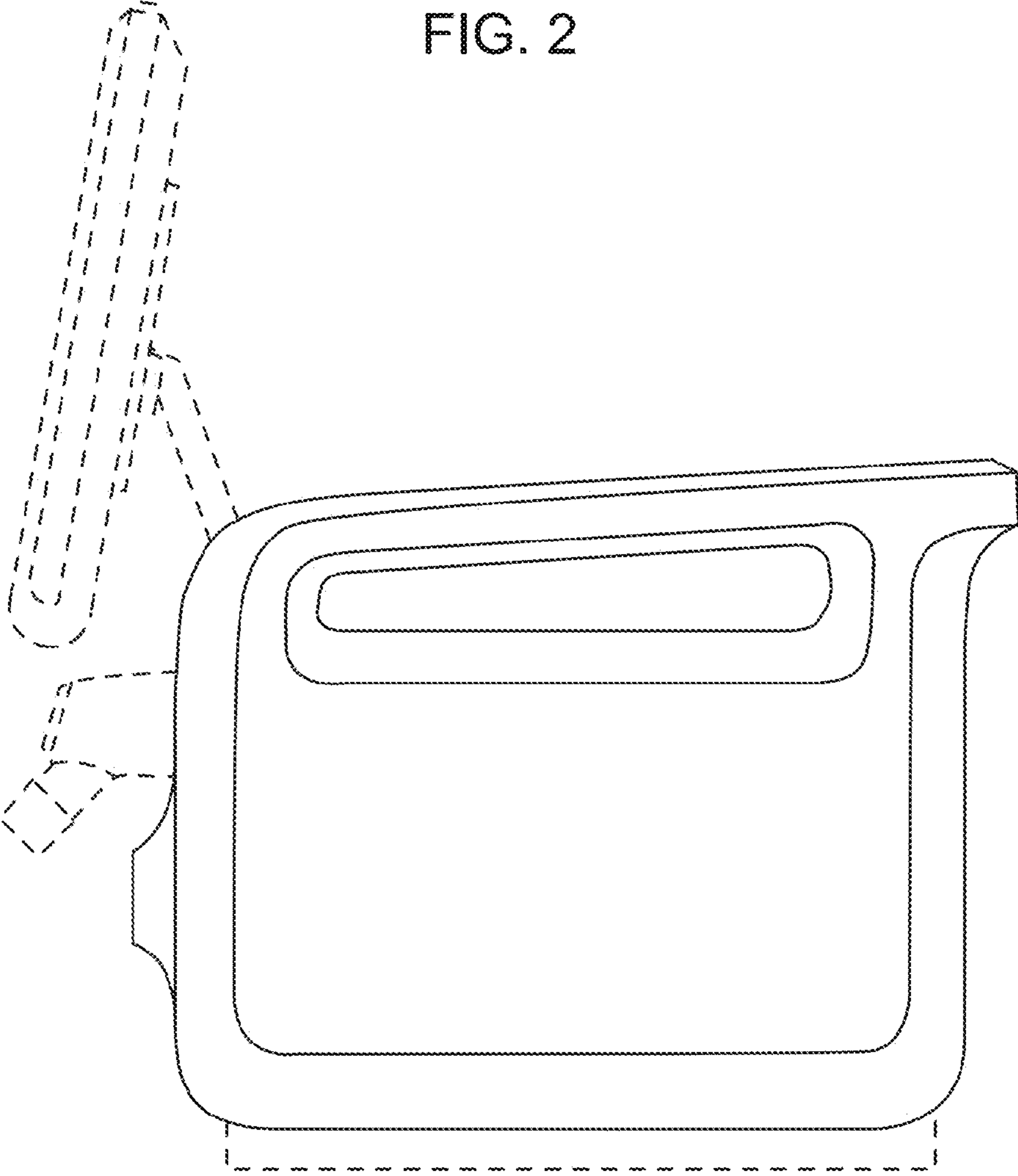


FIG. 3

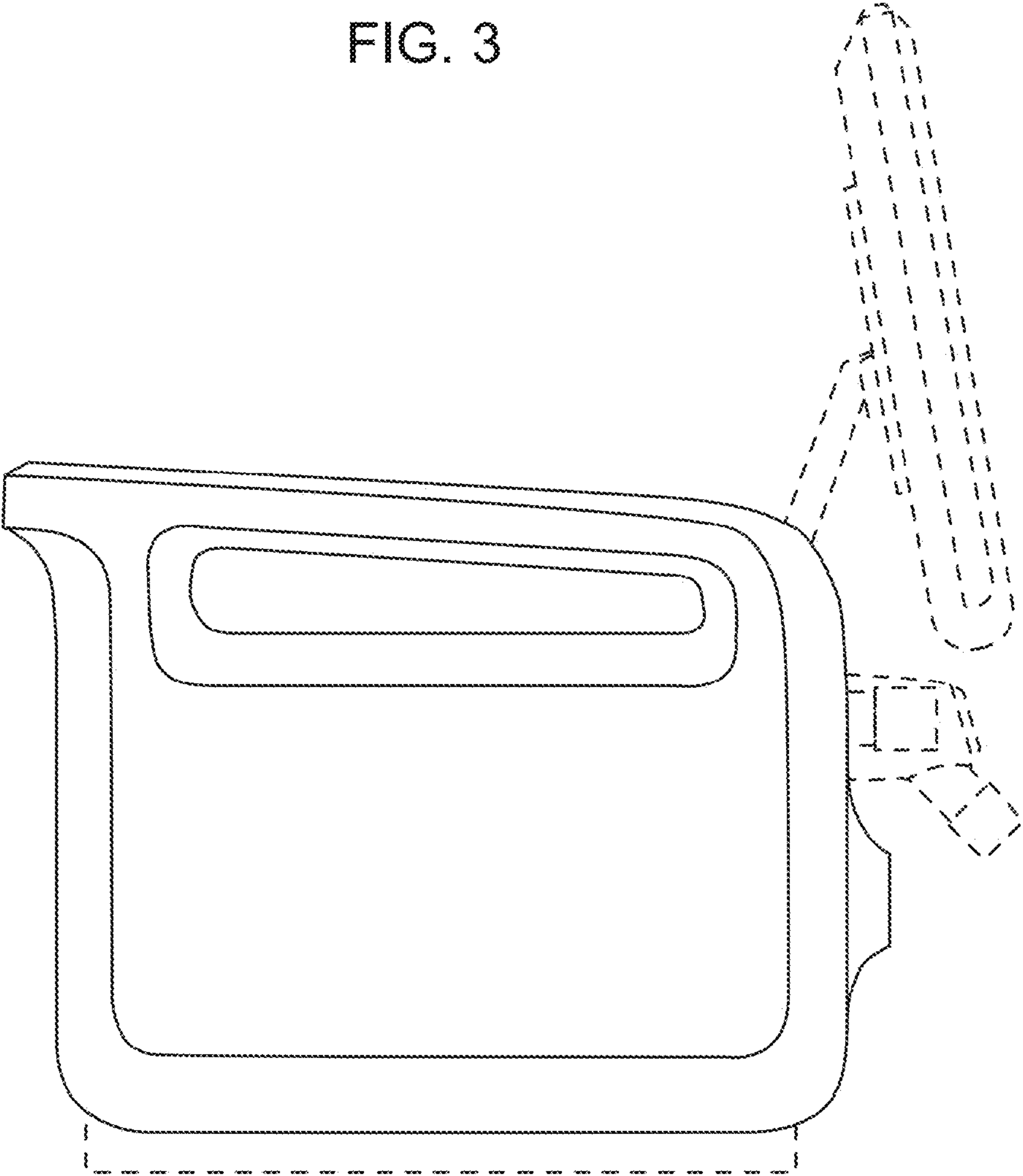


FIG. 4

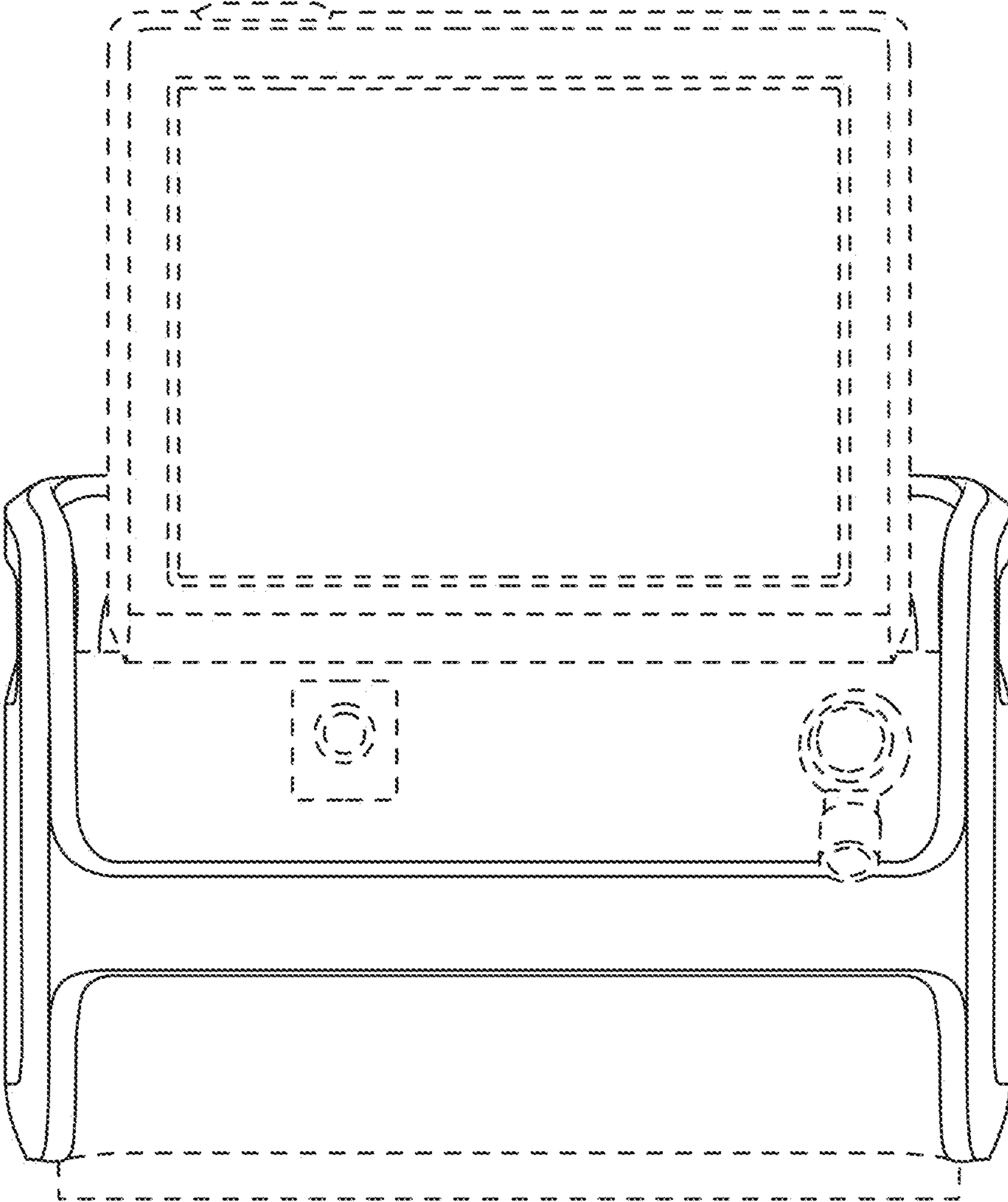


FIG. 5

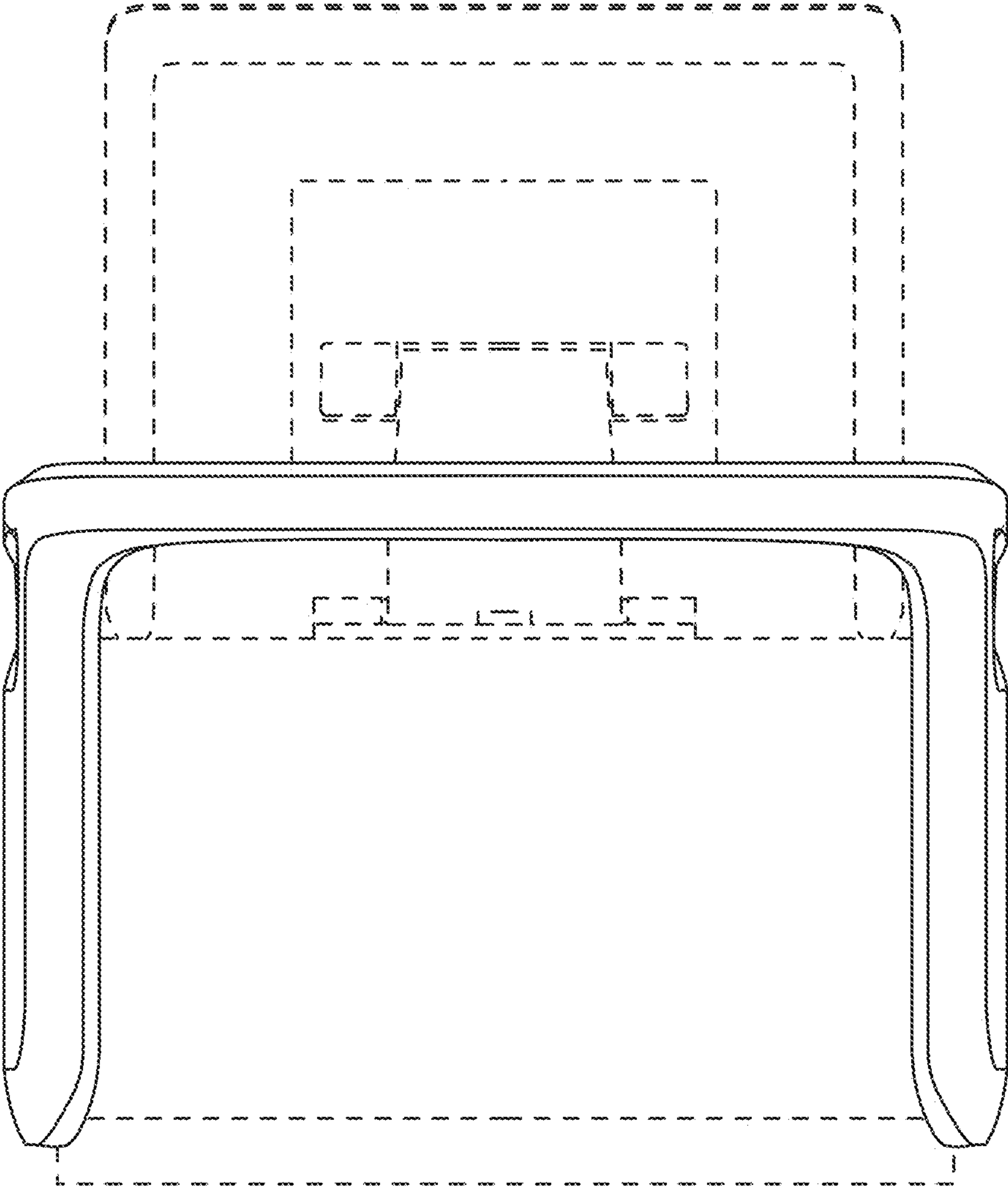


FIG. 6

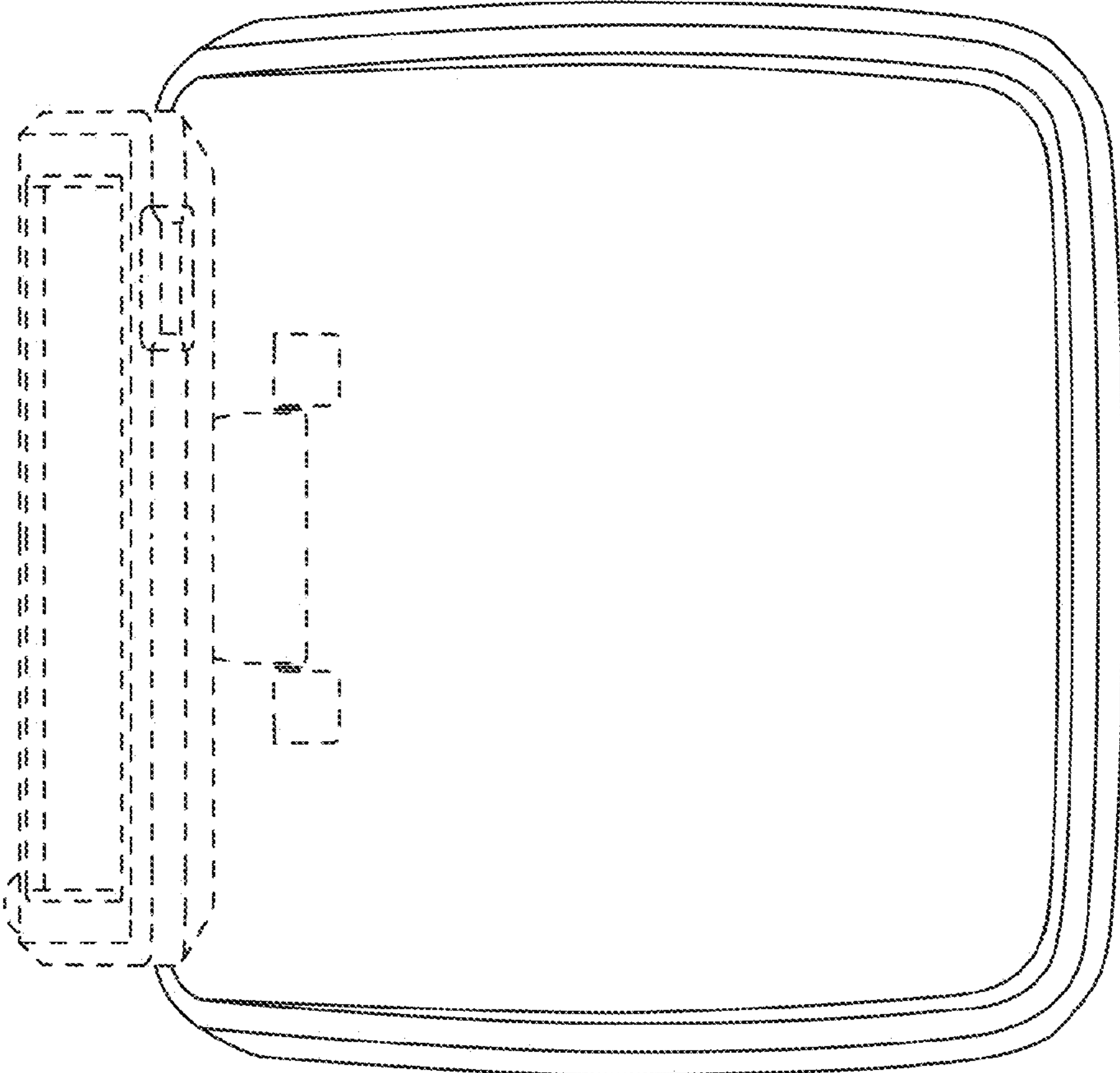


FIG. 7

