

US00D757940S

(12) **United States Design Patent**  
**Boegel et al.**

(10) **Patent No.:** **US D757,940 S**  
(45) **Date of Patent:** **\*\* May 31, 2016**

(54) **RADIOGRAPHY AND FLUOROSCOPY SYSTEM**

(56) **References Cited**

(71) Applicant: **SIEMENS AKTIENGESELLSCHAFT**, Munich (DE)  
(72) Inventors: **Richard Max Boegel**, Nuremberg (DE); **Franziska Dinse**, Heiligenstadt (DE); **Mate Koroknai**, Fuerth (DE); **Christoph Tomczak**, Erlangen (DE); **Gerben Ten Cate**, Forchheim (DE)  
(73) Assignee: **Siemens Aktiengesellschaft**, Munich (DE)

U.S. PATENT DOCUMENTS

D441,868 S \* 5/2001 Rodenas Santiago ..... D24/183  
6,334,708 B1 \* 1/2002 Kosugi ..... A61B 6/0457  
378/197  
D462,445 S \* 9/2002 Barde ..... D24/183  
6,505,364 B2 \* 1/2003 Simmons ..... F16P 3/02  
108/150  
D527,459 S \* 8/2006 Gireesh ..... D24/183  
D630,330 S \* 1/2011 Baba ..... D24/159  
D681,208 S \* 4/2013 Ninomiya ..... D24/159  
D726,319 S \* 4/2015 Sul ..... D24/159  
D735,864 S \* 8/2015 Doerre ..... D24/159  
2008/0279331 A1 \* 11/2008 Huang ..... A61B 6/0457  
378/68  
2009/0086930 A1 \* 4/2009 Xu ..... A61B 6/102  
378/209  
2014/0053333 A1 \* 2/2014 Krieg ..... A61B 6/0442  
5/601

(\*\*) Term: **14 Years**

\* cited by examiner

(21) Appl. No.: **29/522,785**

*Primary Examiner* — Anhdao Doan

(22) Filed: **Apr. 2, 2015**

(74) *Attorney, Agent, or Firm* — Laurence Greenberg; Werner Stemer; Ralph Locher

(30) **Foreign Application Priority Data**

(57) **CLAIM**

The ornamental design for a radiography and fluoroscopy system, as shown and described.

Oct. 2, 2014 (EM) ..... 001424287

**DESCRIPTION**

(51) **LOC (10) Cl.** ..... **24-01**

FIG. 1 is a front elevation view of the radiography and fluoroscopy system showing my new invention; FIG. 2 is a rear elevation view thereof; FIG. 3 is a top plan view thereof; FIG. 4 is a bottom plan view thereof; FIG. 5 is a right elevation view thereof; FIG. 6 is a left elevation view thereof; and, FIG. 7 is a perspective view thereof.

(52) **U.S. Cl.**

USPC ..... **D24/159**

(58) **Field of Classification Search**

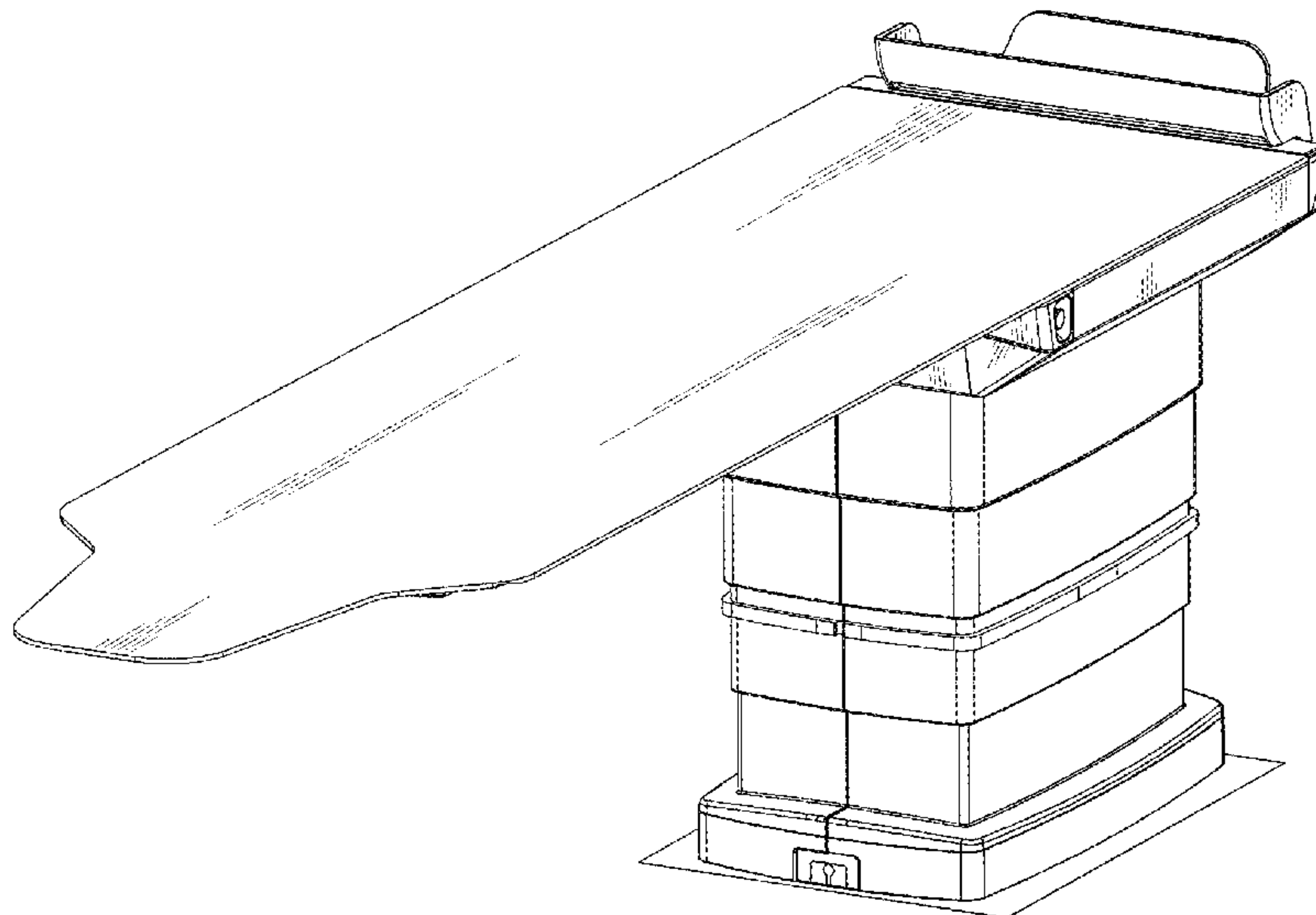
USPC ..... D24/158–161, 183–185; D6/691.4; 378/4, 21–27, 38, 40, 62, 68, 102, 378/196–198, 209; 600/410, 422; 5/601, 5/607, 608

The broken lines in FIG. 4 are included for the purpose of illustrating portions of the radiography and fluoroscopy system that form no part of the claimed design.

CPC . A61B 6/0407; A61B 6/0457; A61G 2210/50

See application file for complete search history.

**1 Claim, 7 Drawing Sheets**



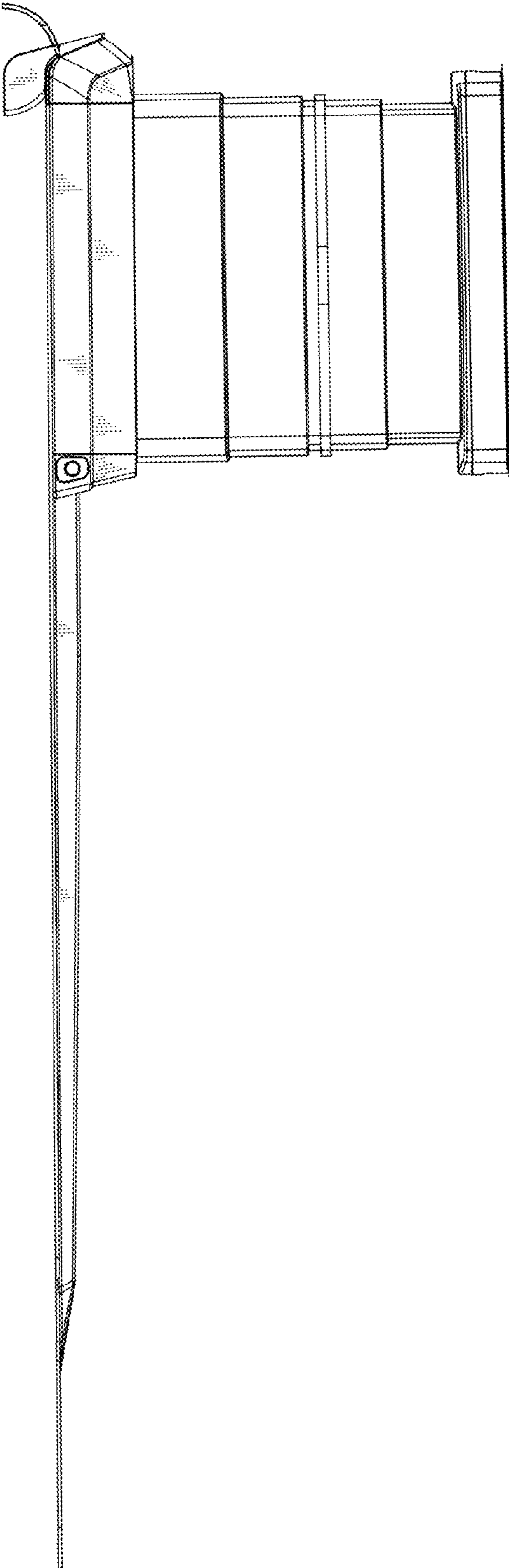


FIG 1

FIG 2

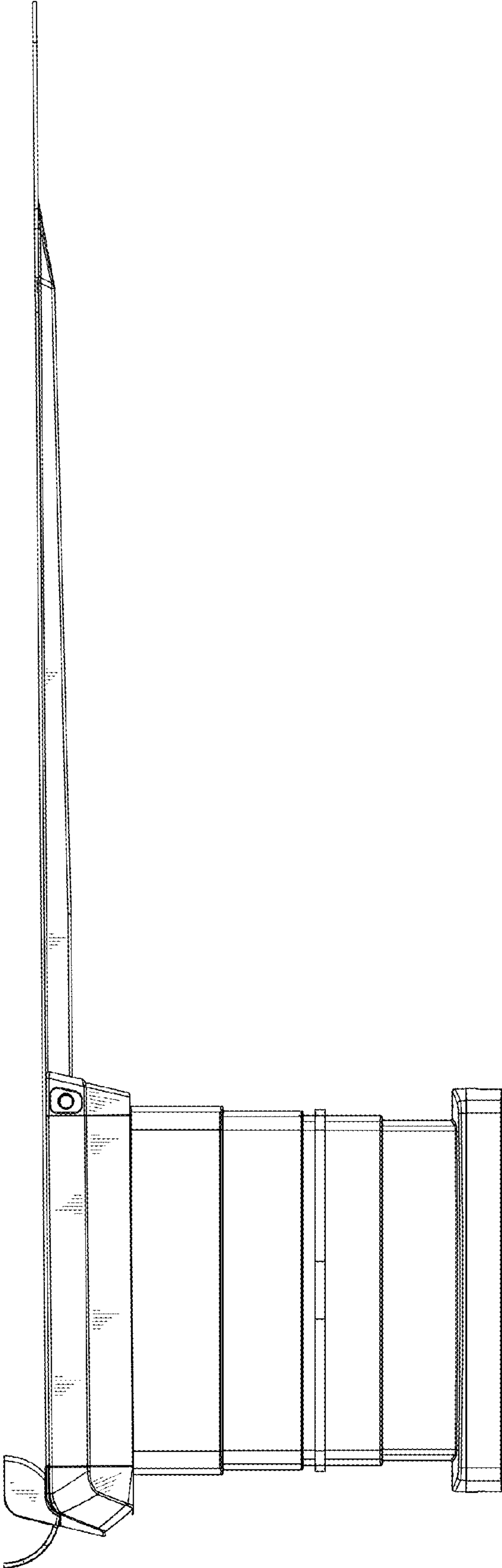


FIG 3

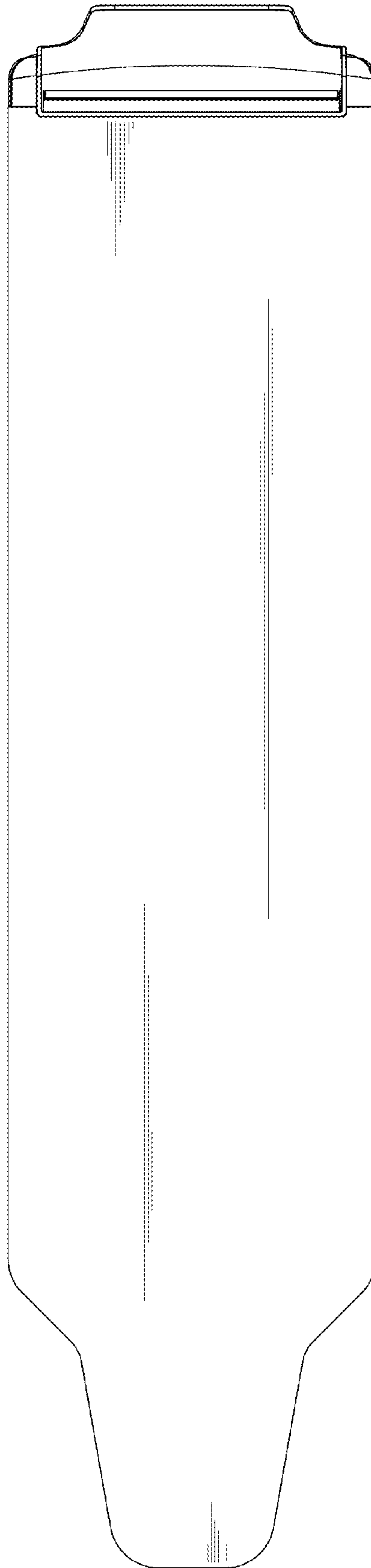


FIG 4

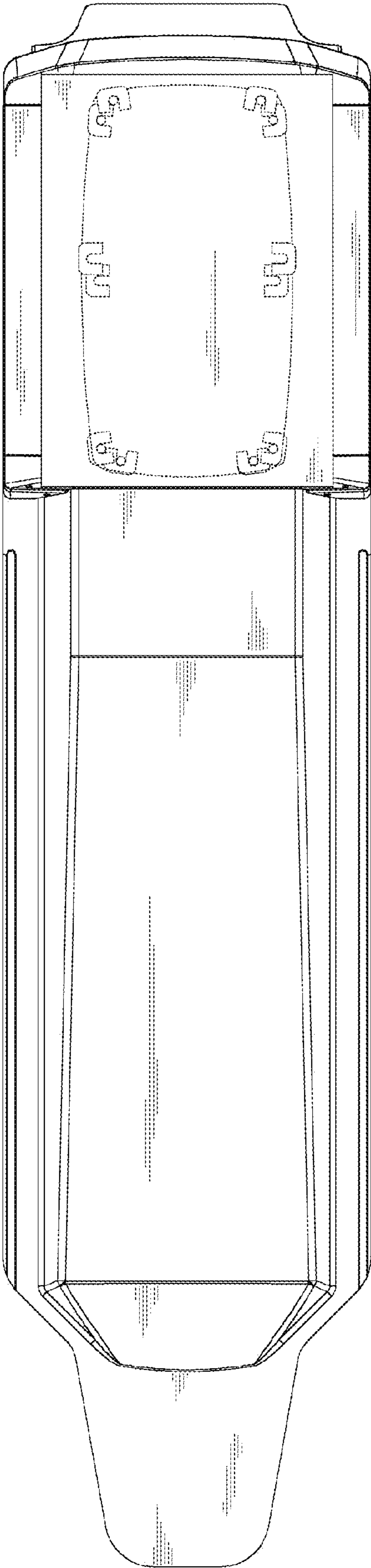


FIG 5

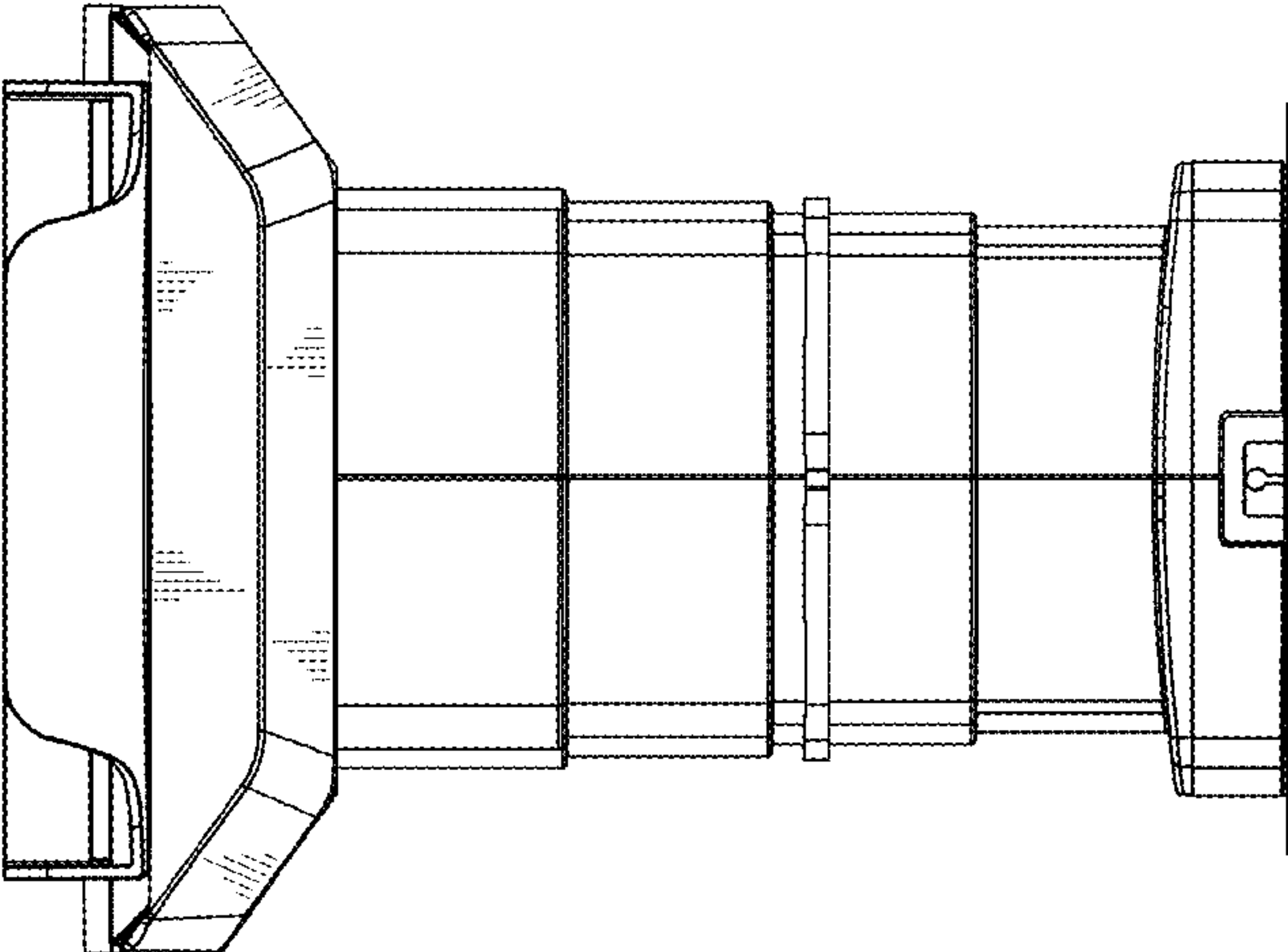


FIG 6

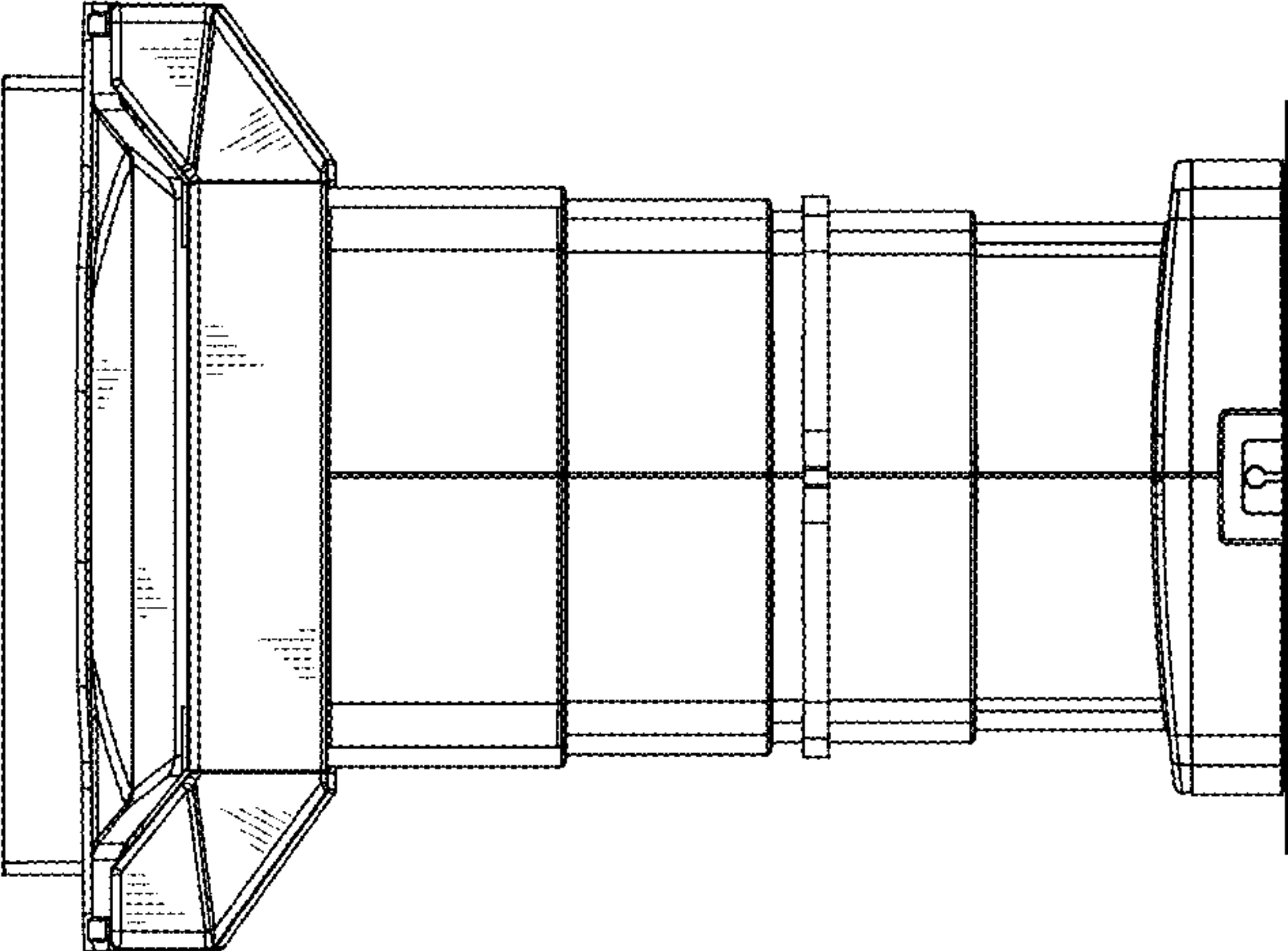




FIG 7

