



US00D757939S

(12) **United States Design Patent**
Tsujita et al.

(10) **Patent No.:** **US D757,939 S**
(45) **Date of Patent:** **** May 31, 2016**

(54) **MEDICAL X-RAY IMAGING APPARATUS**
(71) Applicant: **Telesystems Co., Ltd.**, Osaka-shi (JP)
(72) Inventors: **Masahiro Tsujita**, Osaka (JP);
Yoshimitsu Kobayashi, Osaka (JP)
(73) Assignee: **TAKARA TELESYSTEMS CORP.**,
Osaka-Shi, Osaka (JP)

D345,606 S * 3/1994 Perusek D24/159
D355,719 S * 2/1995 Murakami et al. D24/159
D397,440 S * 8/1998 Baars D24/158
6,052,428 A * 4/2000 Nakano et al. 378/38
D527,105 S 8/2006 Kitayama et al.
D564,663 S * 3/2008 Udagawa et al. D24/158
D677,387 S 3/2013 Personelli
D678,527 S 3/2013 Boninger
2010/0322377 A1* 12/2010 Niizeki 378/20

* cited by examiner

(**) Term: **14 Years**
(21) Appl. No.: **29/497,951**
(22) Filed: **Jul. 30, 2014**

Primary Examiner — Anhdao Doan
(74) *Attorney, Agent, or Firm* — Harness, Dickey & Pierce,
P.L.C.

(30) **Foreign Application Priority Data**

Jan. 31, 2014 (JP) 2014-001915

(51) **LOC (10) Cl.** **24-01**
(52) **U.S. Cl.**
USPC **D24/158**
(58) **Field of Classification Search**
USPC D24/158-161, 185, 186; 378/4, 21-27,
378/38, 40, 102, 196-198; 600/410, 422
CPC A61B 5/05; A61B 5/055
See application file for complete search history.

(57) **CLAIM**

The ornamental design for a medical X-ray imaging apparatus, as shown and described.

DESCRIPTION

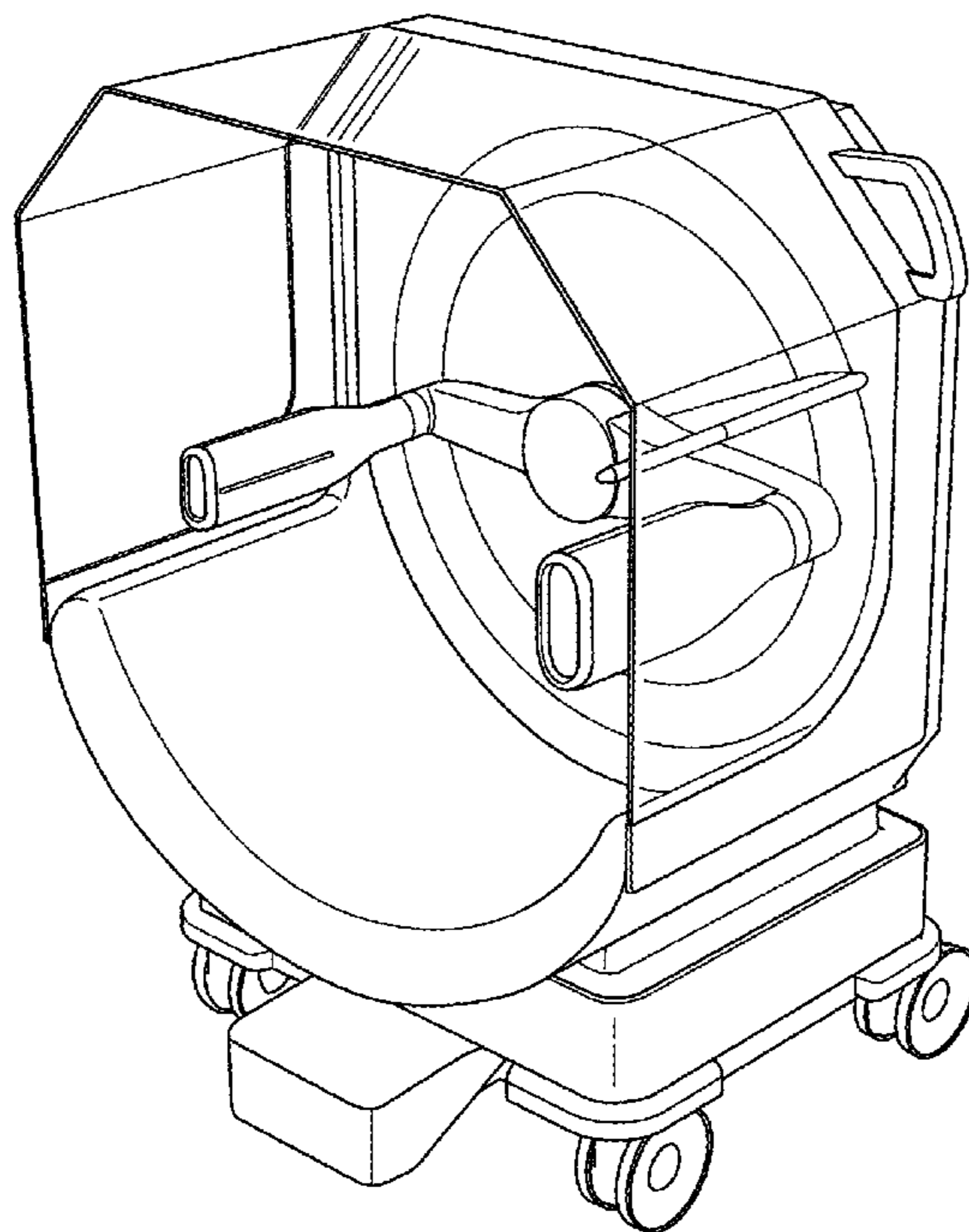
FIG. 1 is a front view of a medical X-ray imaging apparatus; FIG. 2 is a rear view of the medical X-ray imaging apparatus; FIG. 3 is a left side view of the medical X-ray imaging apparatus; FIG. 4 is a right side view of the medical X-ray imaging apparatus; FIG. 5 is a top view of the medical X-ray imaging apparatus; FIG. 6 is a bottom view of the medical X-ray imaging apparatus; FIG. 7 is a perspective front view of the medical X-ray imaging apparatus; and, FIG. 8 is a perspective rear view of the medical X-ray imaging apparatus.

(56) **References Cited**

U.S. PATENT DOCUMENTS

4,852,134 A * 7/1989 Kinanen et al. 378/38
5,097,131 A * 3/1992 Plummer et al. D24/159
D342,137 S * 12/1993 Guentner D24/158

1 Claim, 8 Drawing Sheets



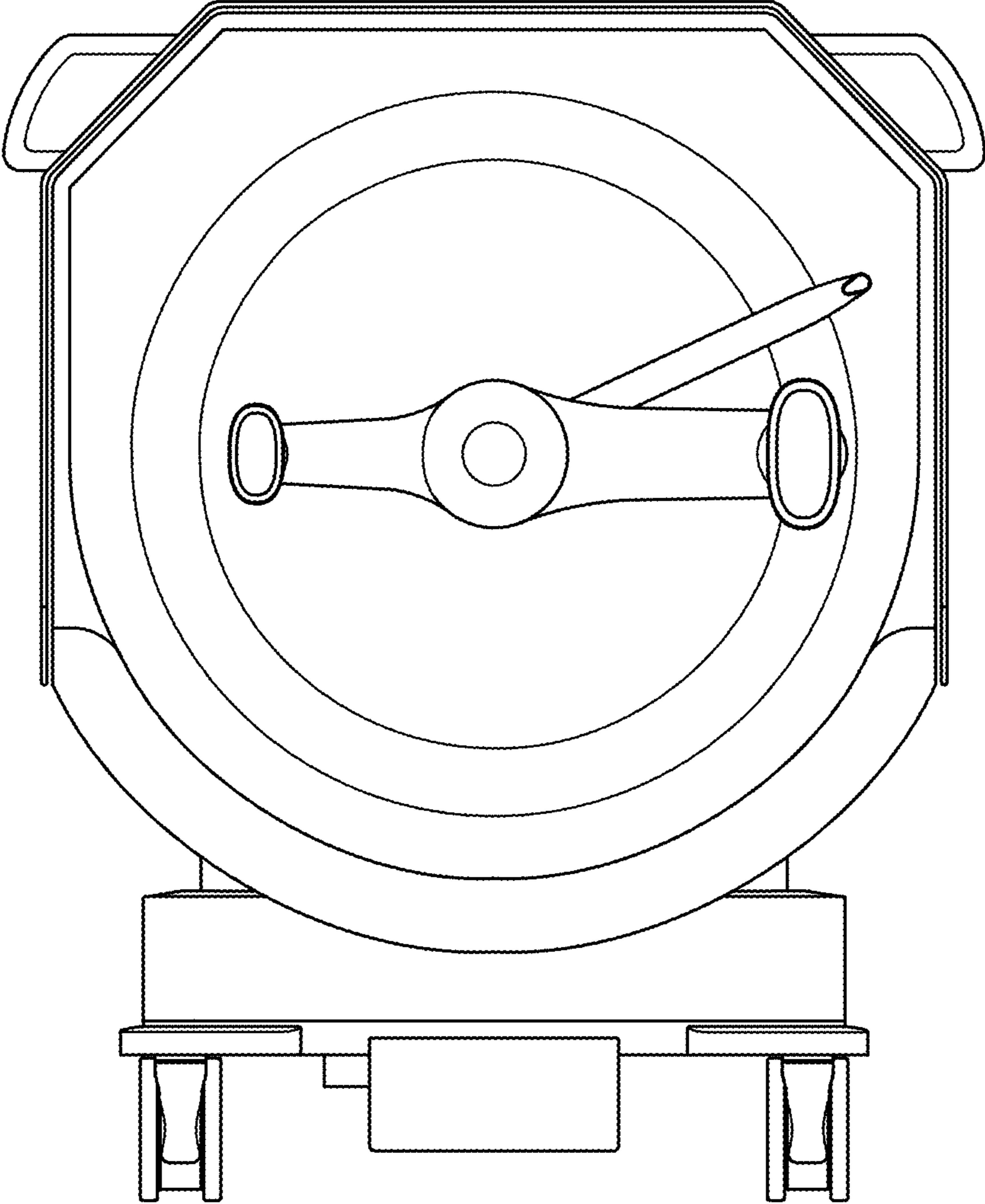


FIG. 1

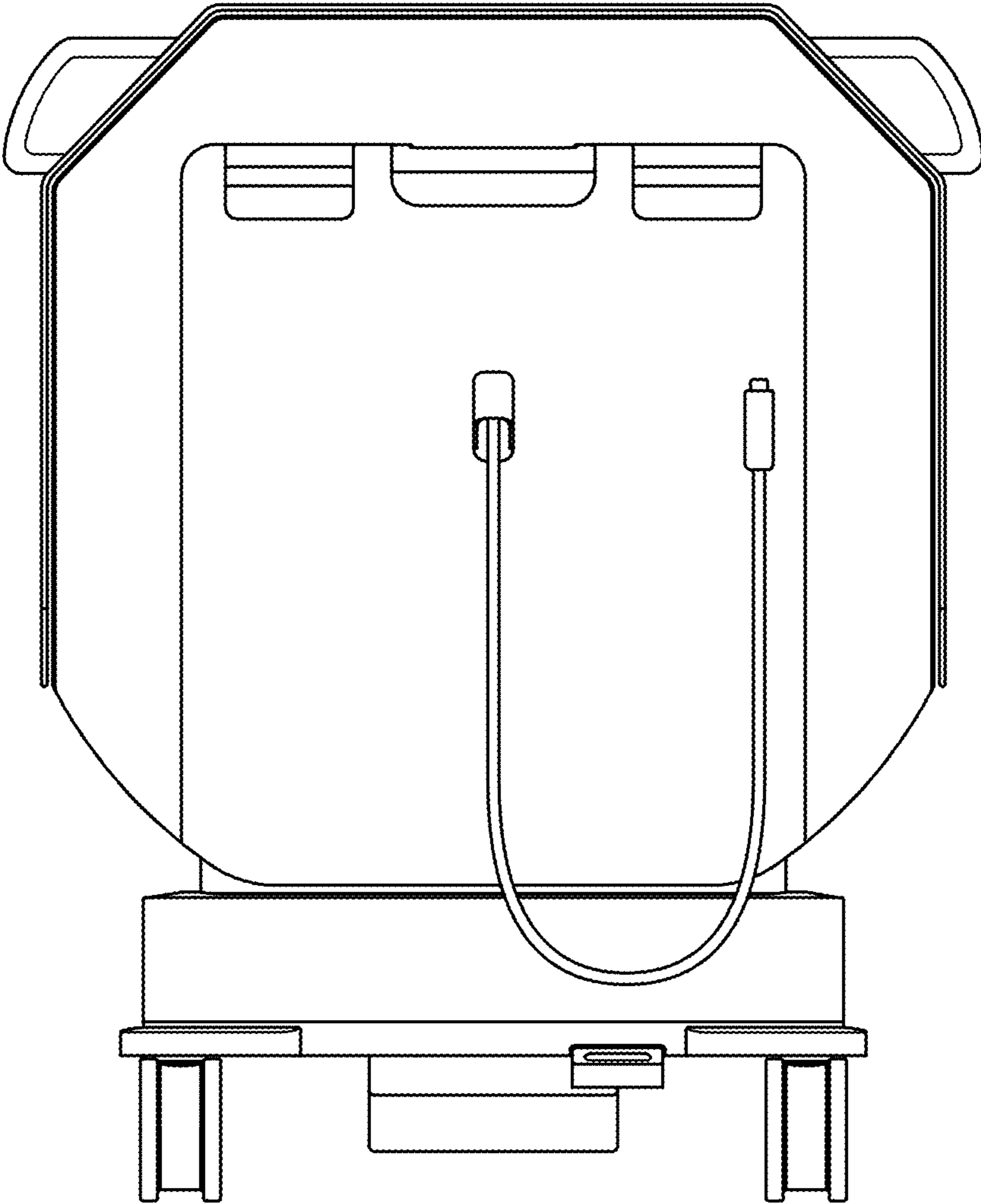


FIG. 2

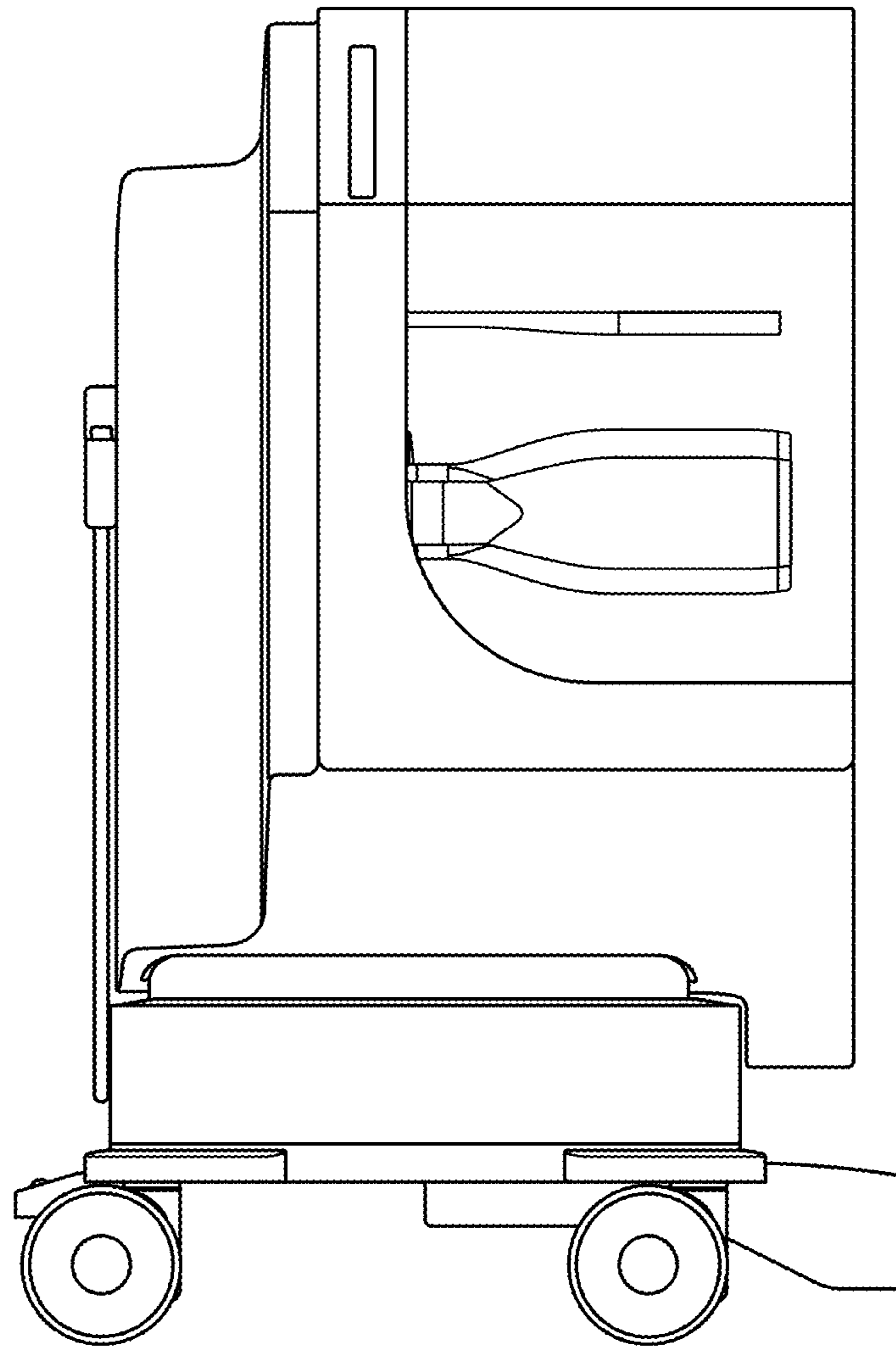


FIG. 3

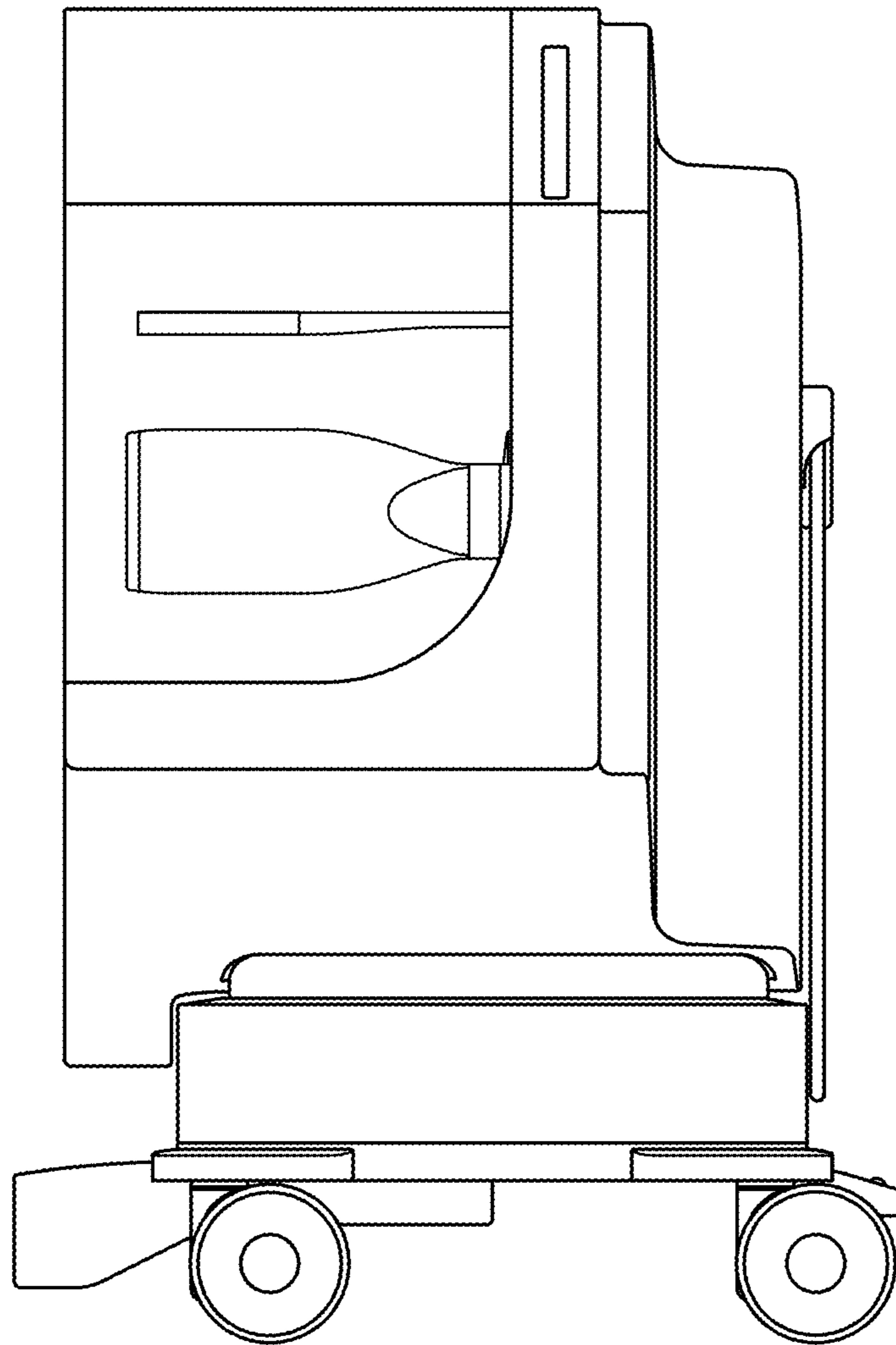


FIG. 4

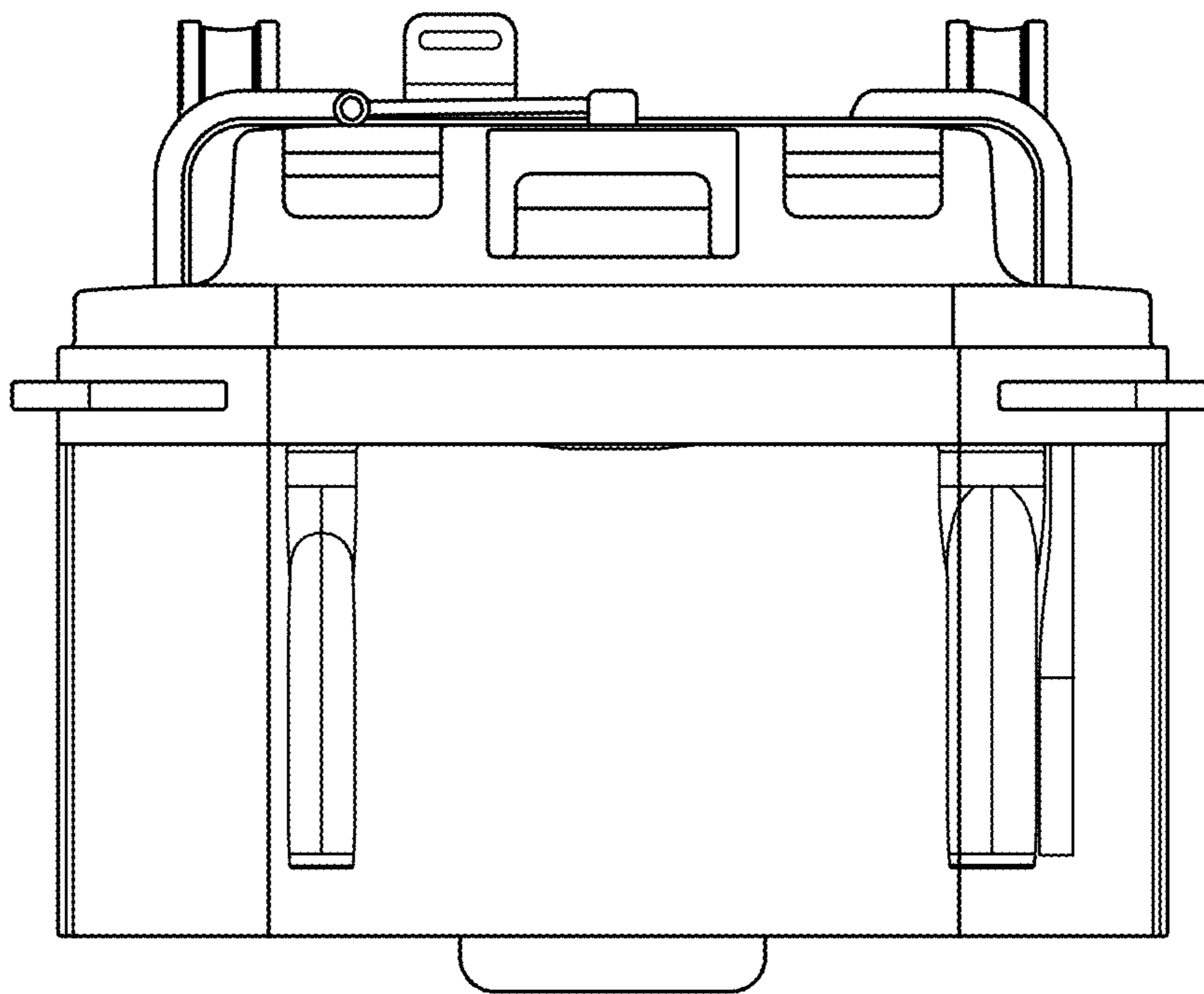


FIG. 5

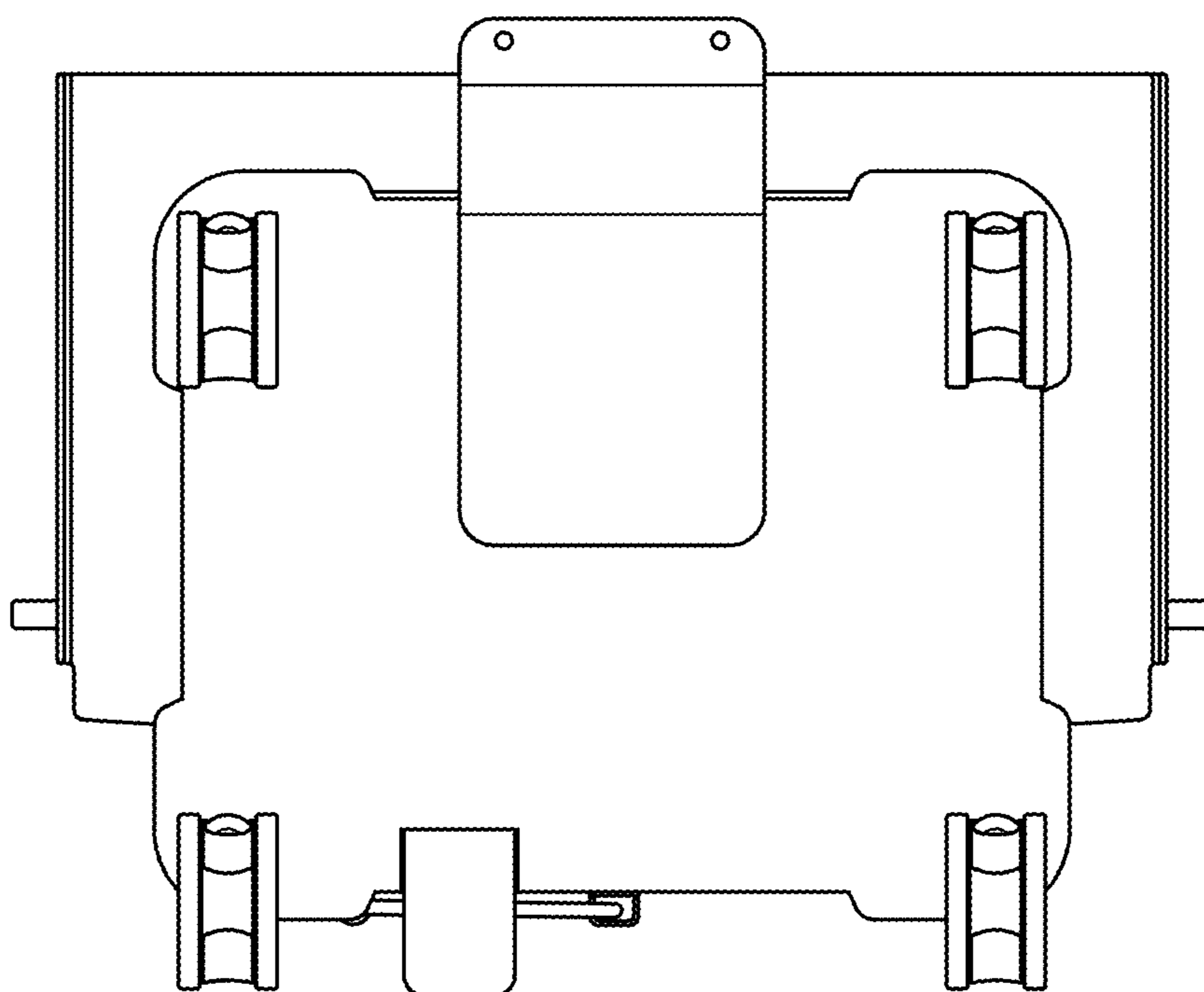


FIG. 6

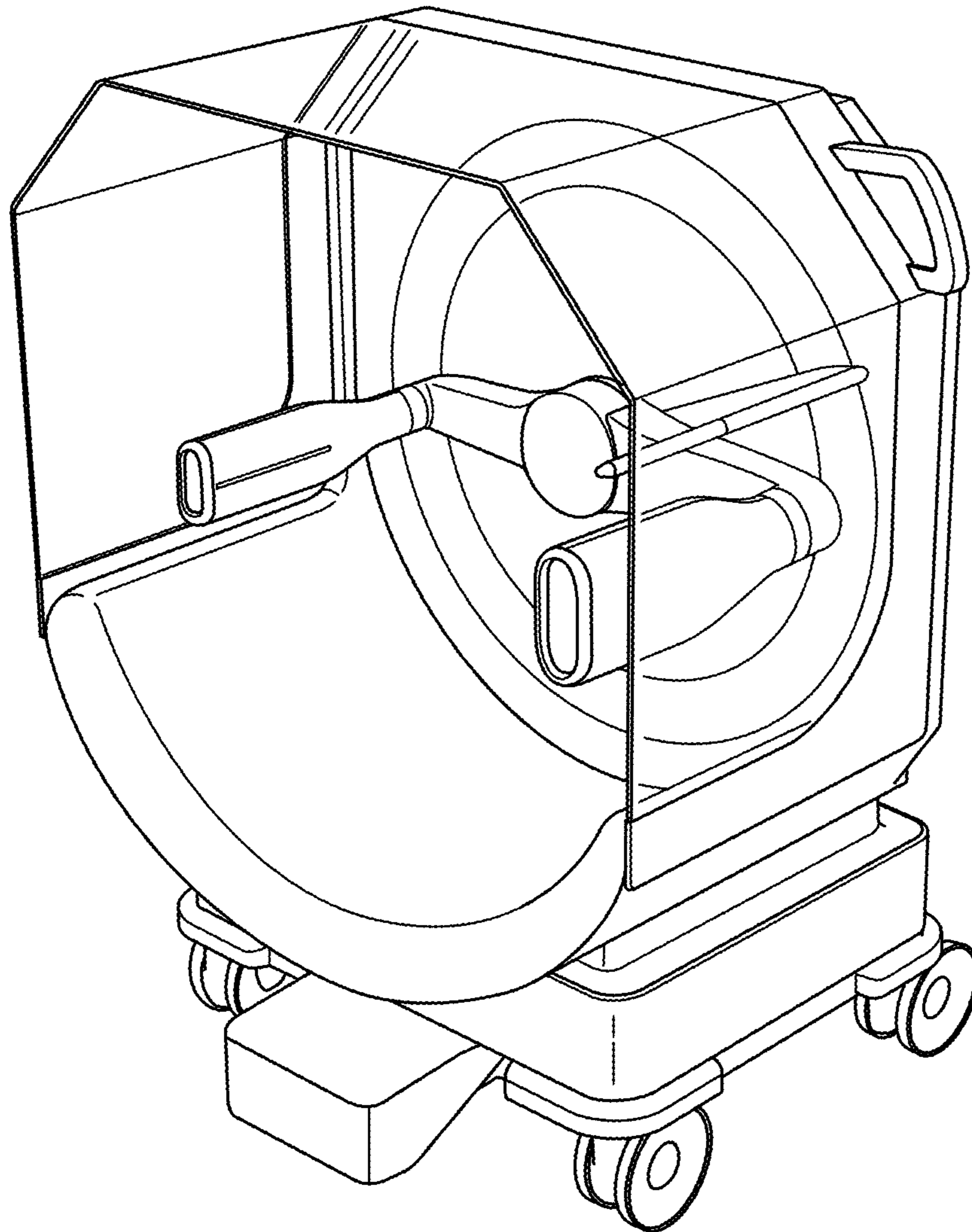


FIG. 7



FIG. 8