



US00D757937S

(12) **United States Design Patent**
Tsai

(10) **Patent No.:** **US D757,937 S**
(45) **Date of Patent:** **** May 31, 2016**

(54) **MEDICAL LUMINAIRE**
(71) Applicant: **Yih-Chiou Tsai**, Taichung (TW)
(72) Inventor: **Yih-Chiou Tsai**, Taichung (TW)
(**) Term: **14 Years**
(21) Appl. No.: **29/496,275**
(22) Filed: **Jul. 11, 2014**
(51) **LOC (10) Cl.** **24-02**
(52) **U.S. Cl.**
USPC **D24/135**
(58) **Field of Classification Search**
USPC D24/107, 186, 158, 231, 200, 209, 210,
D24/137, 144, 135; D26/29, 37, 39, 93, 104
CPC A61N 5/0616; A61N 5/0624; A61N
2005/0652; A61N 2005/0654; A61N
2005/0642; A61N 2005/0644; A61N
2005/0636; A61N 2005/0626; A61N
2005/0627; A61B 2018/00452; A61B
2018/1807; A61B 1/0692; A61B 1/32; A61B
1/303; A61B 17/4241
See application file for complete search history.

6,595,917 B2 * 7/2003 Nieto A61B 1/32
600/220
D519,214 S * 4/2006 Lansohn D24/210
D548,837 S * 8/2007 Oikawa D24/158
7,267,673 B2 * 9/2007 Pilcher A61N 5/0616
606/10
D564,657 S * 3/2008 Tsai D24/135
D585,997 S * 2/2009 Adam D24/210
D590,492 S * 4/2009 Powell D24/209
D591,438 S * 4/2009 Hama D24/137
D599,045 S * 8/2009 Castellucci D26/37
D617,457 S * 6/2010 Baker D24/137
D657,057 S * 4/2012 Kearsley D24/133
D719,652 S * 12/2014 Swift D24/135

* cited by examiner

Primary Examiner — Anhdao Doan
(74) *Attorney, Agent, or Firm* — The Weintraub Group,
P.L.C.

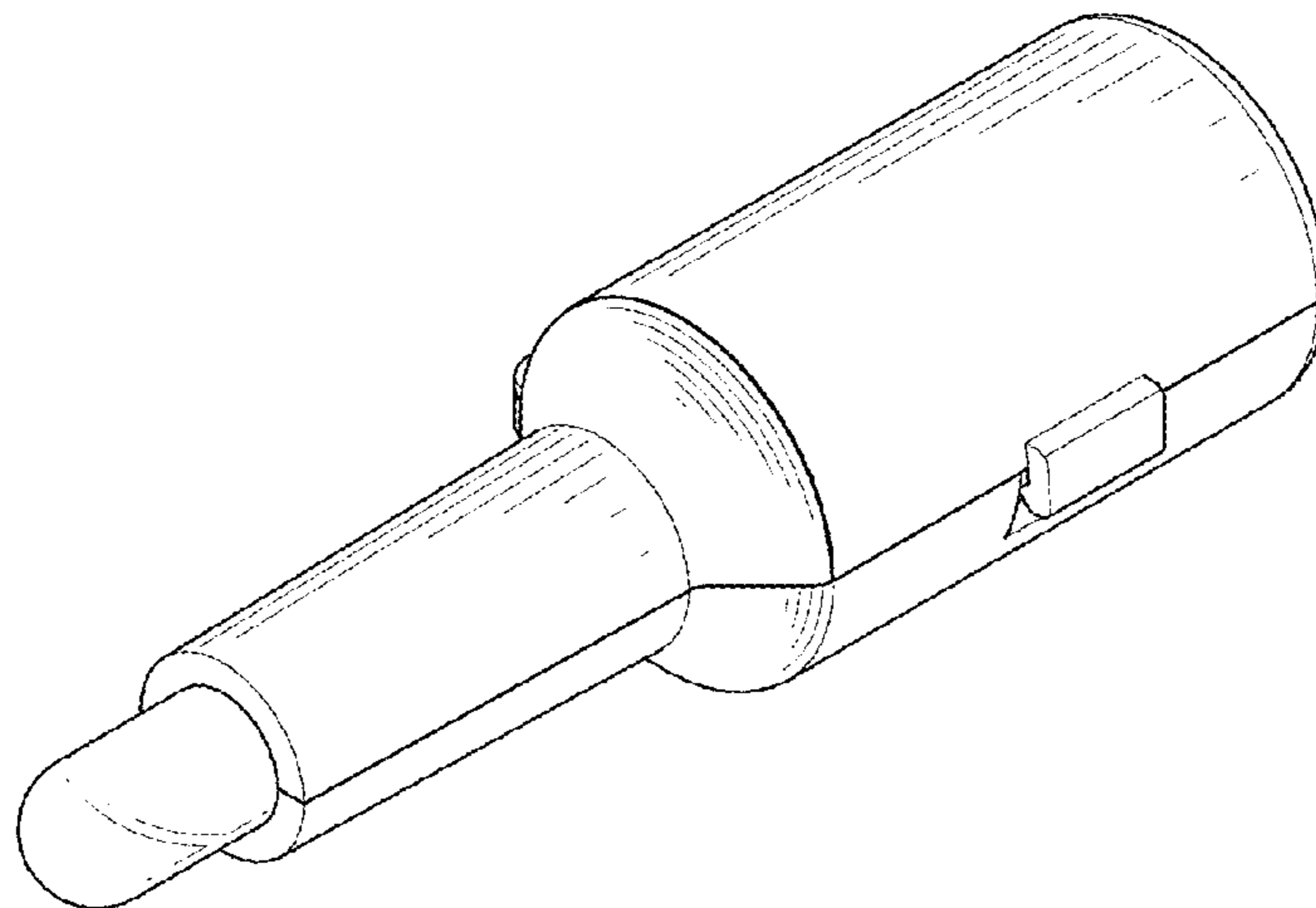
(57) **CLAIM**
The ornamental design for a medical luminaire, as shown and
described.

DESCRIPTION

FIG. 1 is a perspective view of a medical luminaire showing
my new design;
FIG. 2 is a front view thereof;
FIG. 3 is a rear view thereof;
FIG. 4 is a left view thereof;
FIG. 5 is a right view thereof;
FIG. 6 is a top view thereof;
FIG. 7 is a bottom view thereof; and,
FIG. 8 is another perspective view thereof.

1 Claim, 8 Drawing Sheets

(56) **References Cited**
U.S. PATENT DOCUMENTS
D382,640 S * 8/1997 Paul D24/137
5,716,329 A * 2/1998 Dieter A61B 1/32
600/184
5,968,033 A * 10/1999 Fuller A61B 18/203
606/16
6,004,265 A * 12/1999 Hsu A61B 1/32
600/220



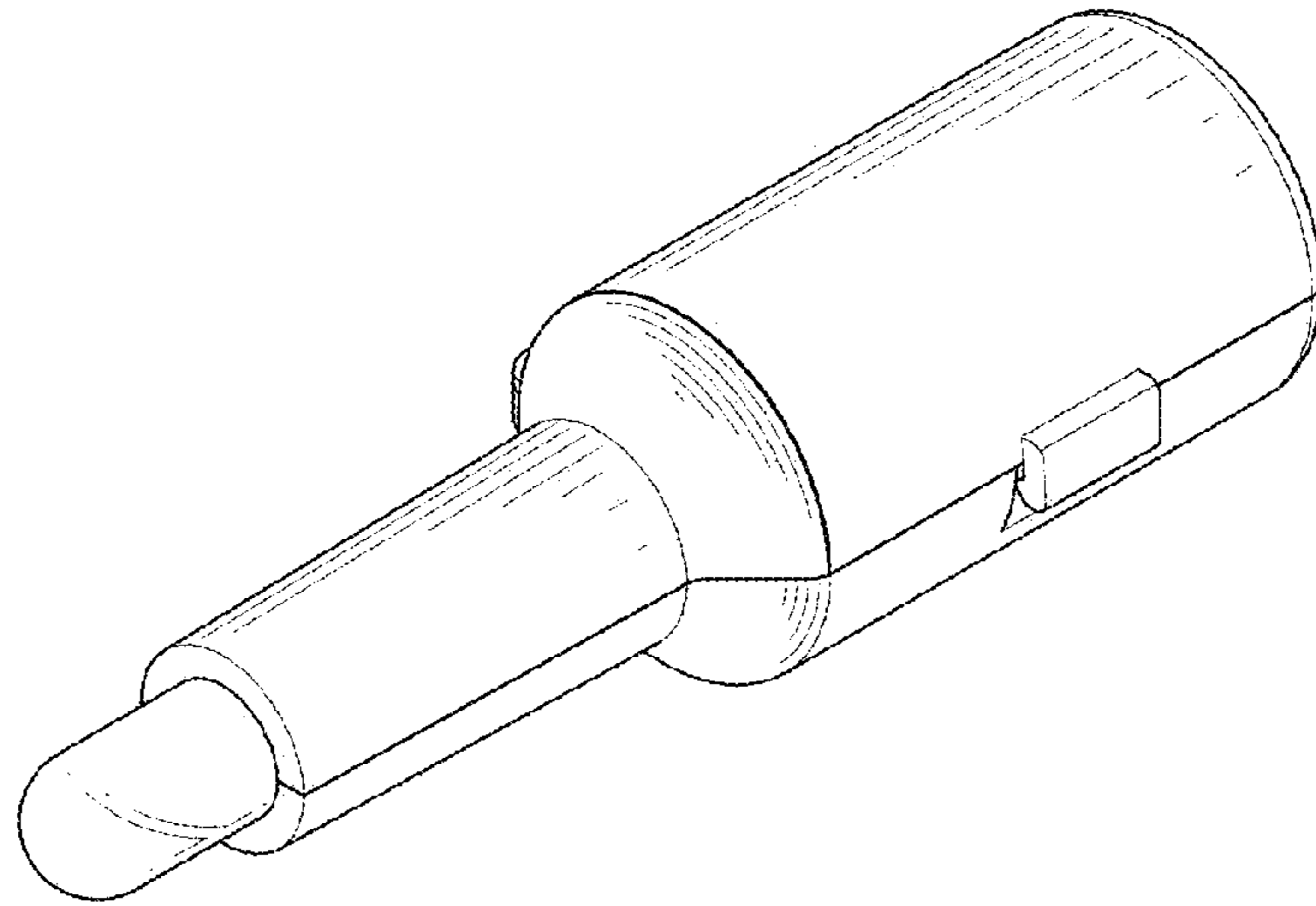


FIG.1

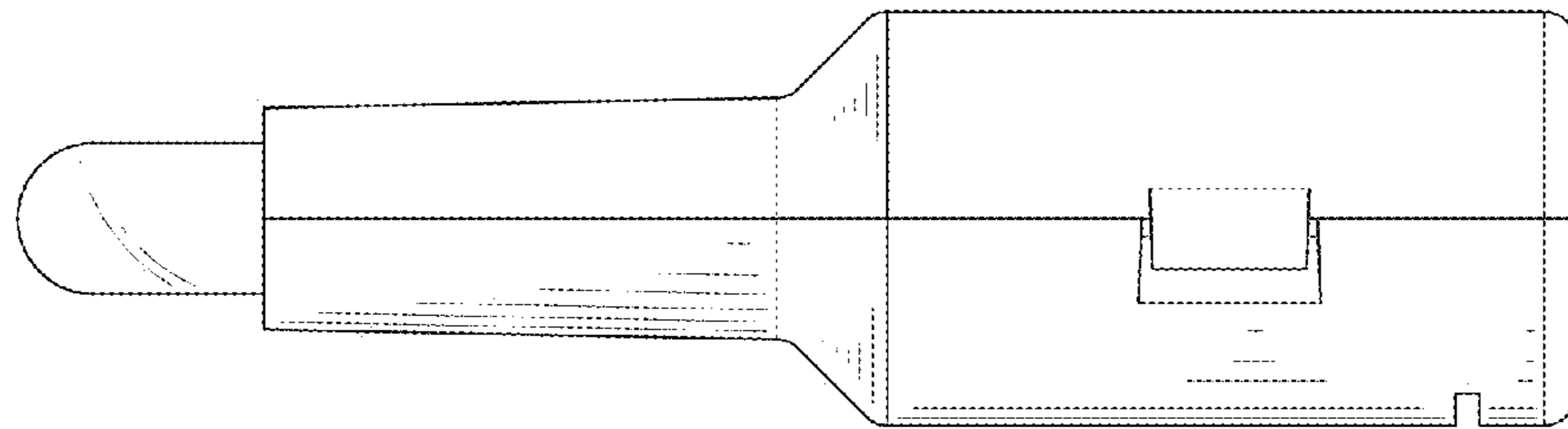


FIG.2

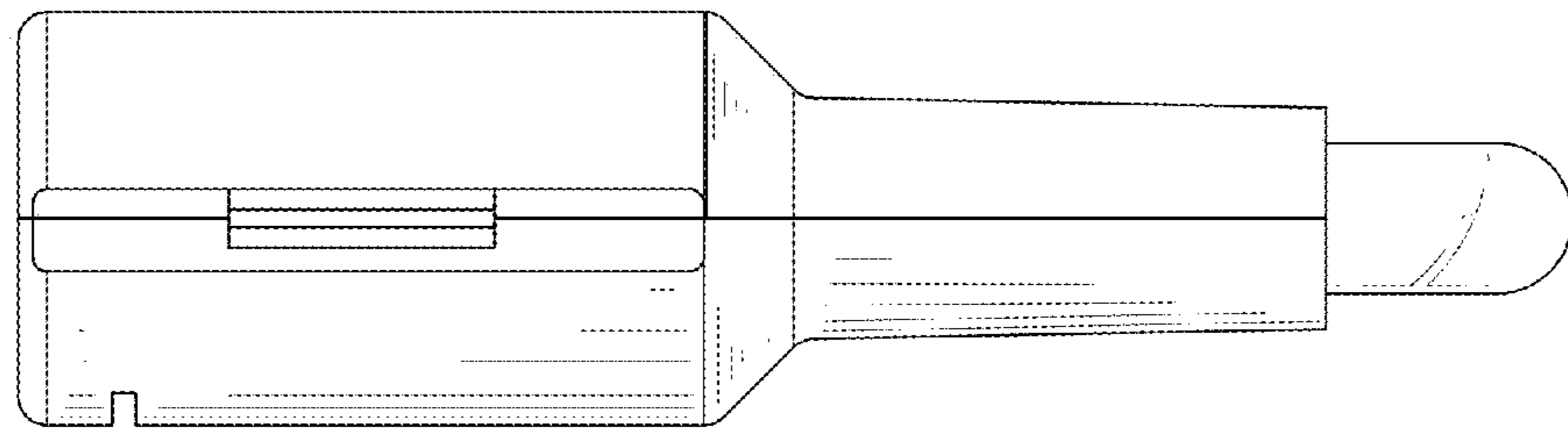


FIG.3

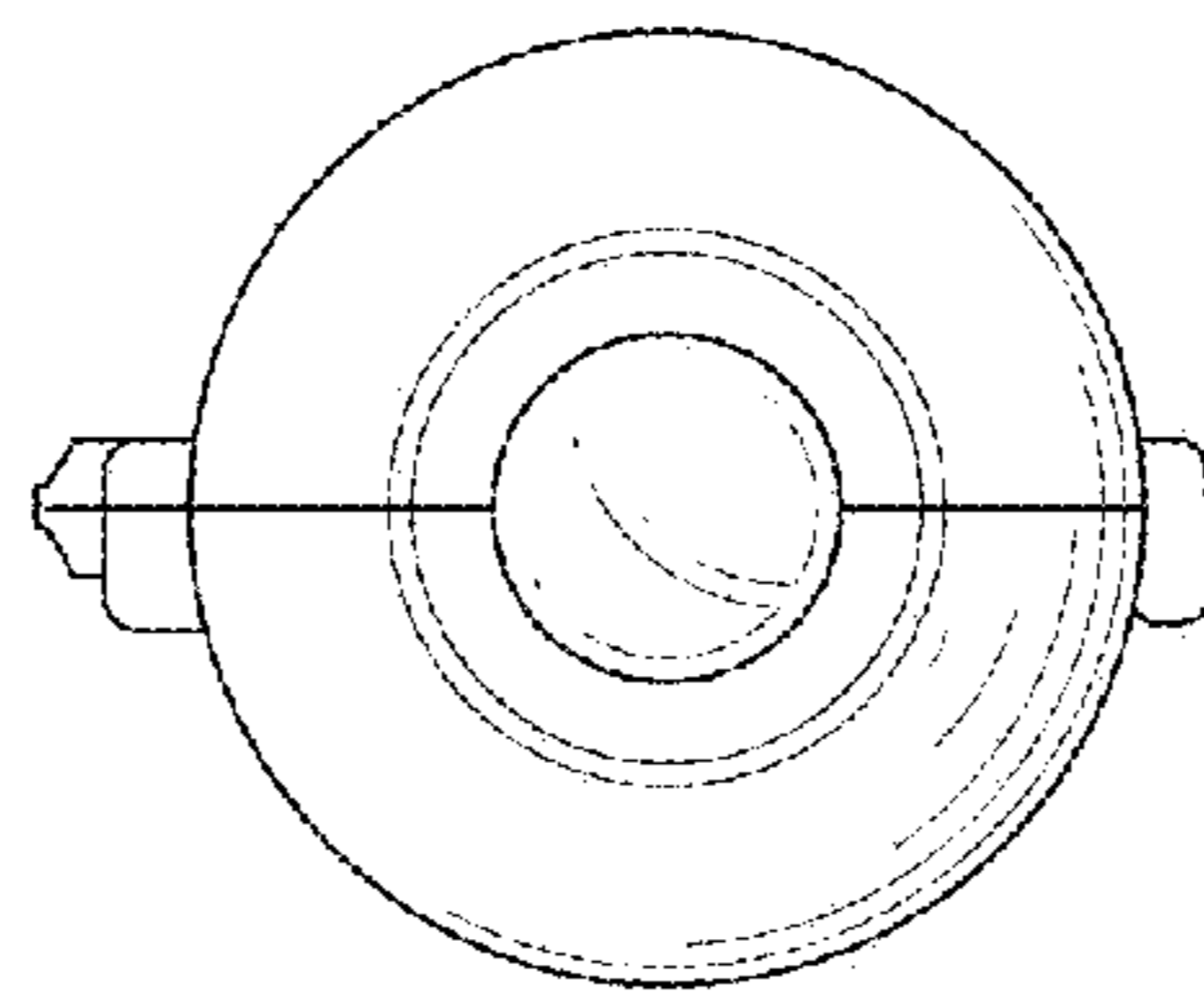


FIG.4

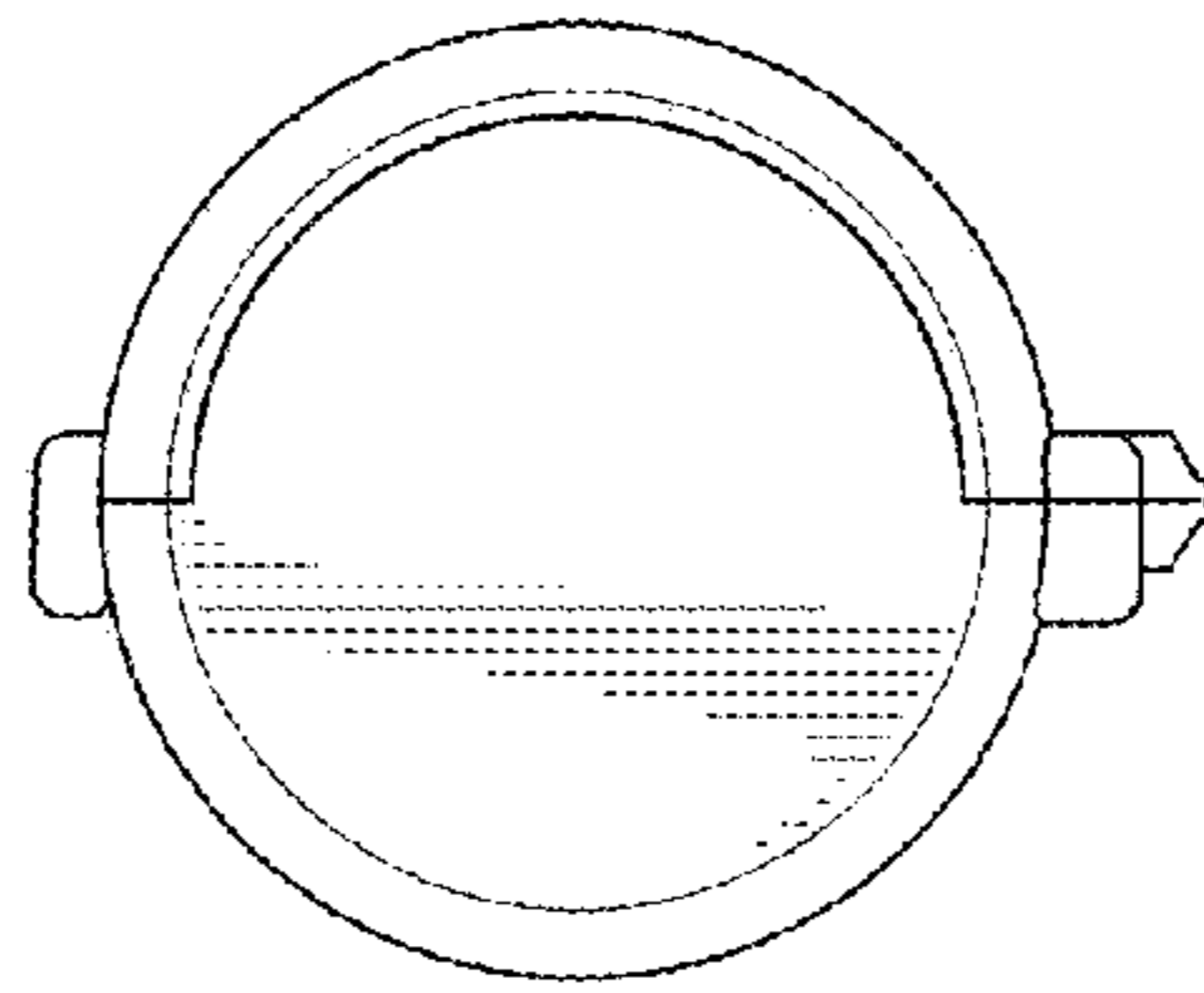


FIG.5

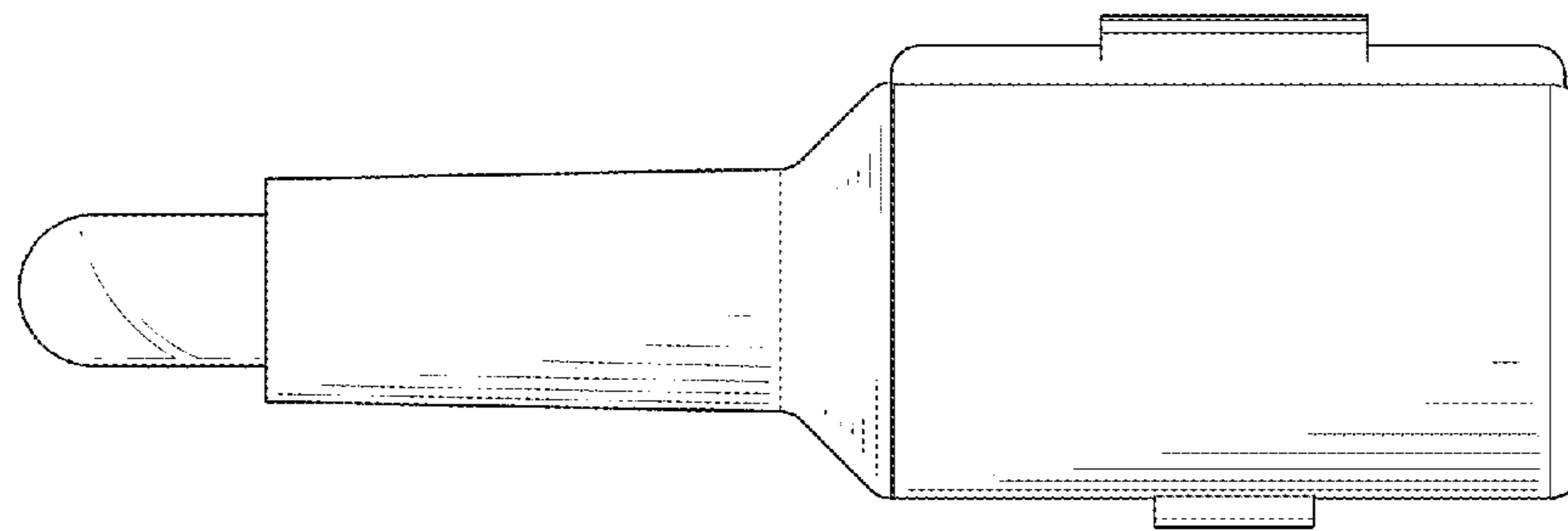


FIG.6

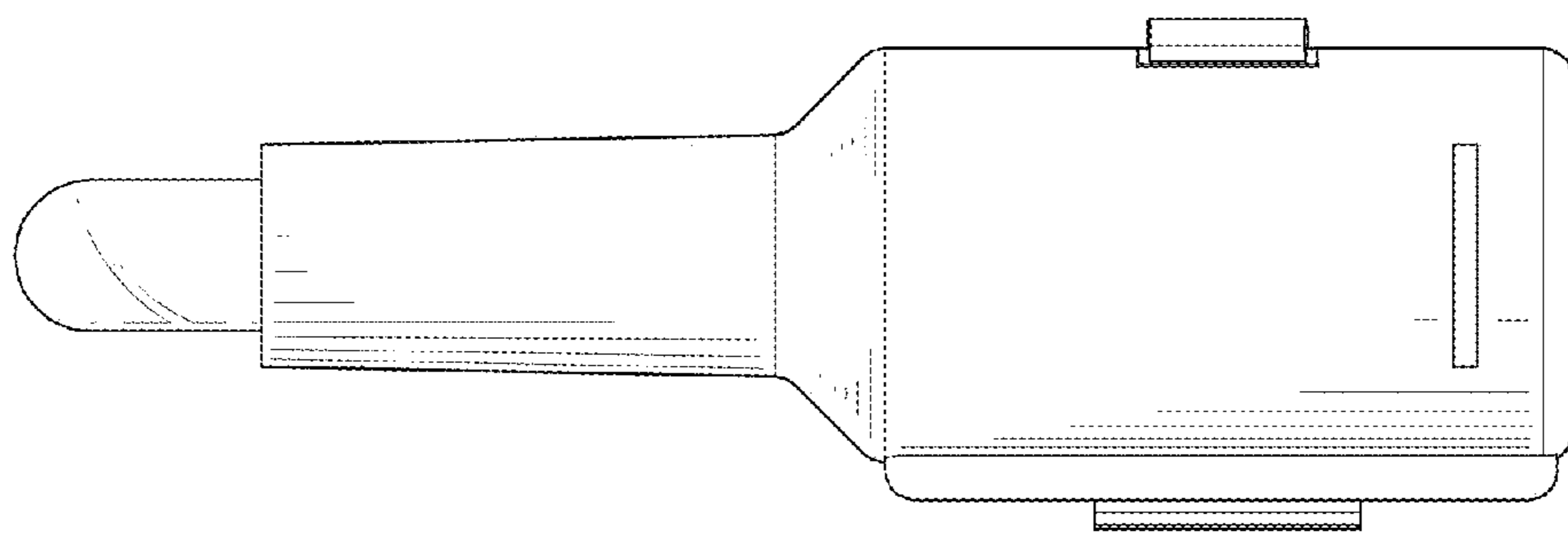


FIG.7

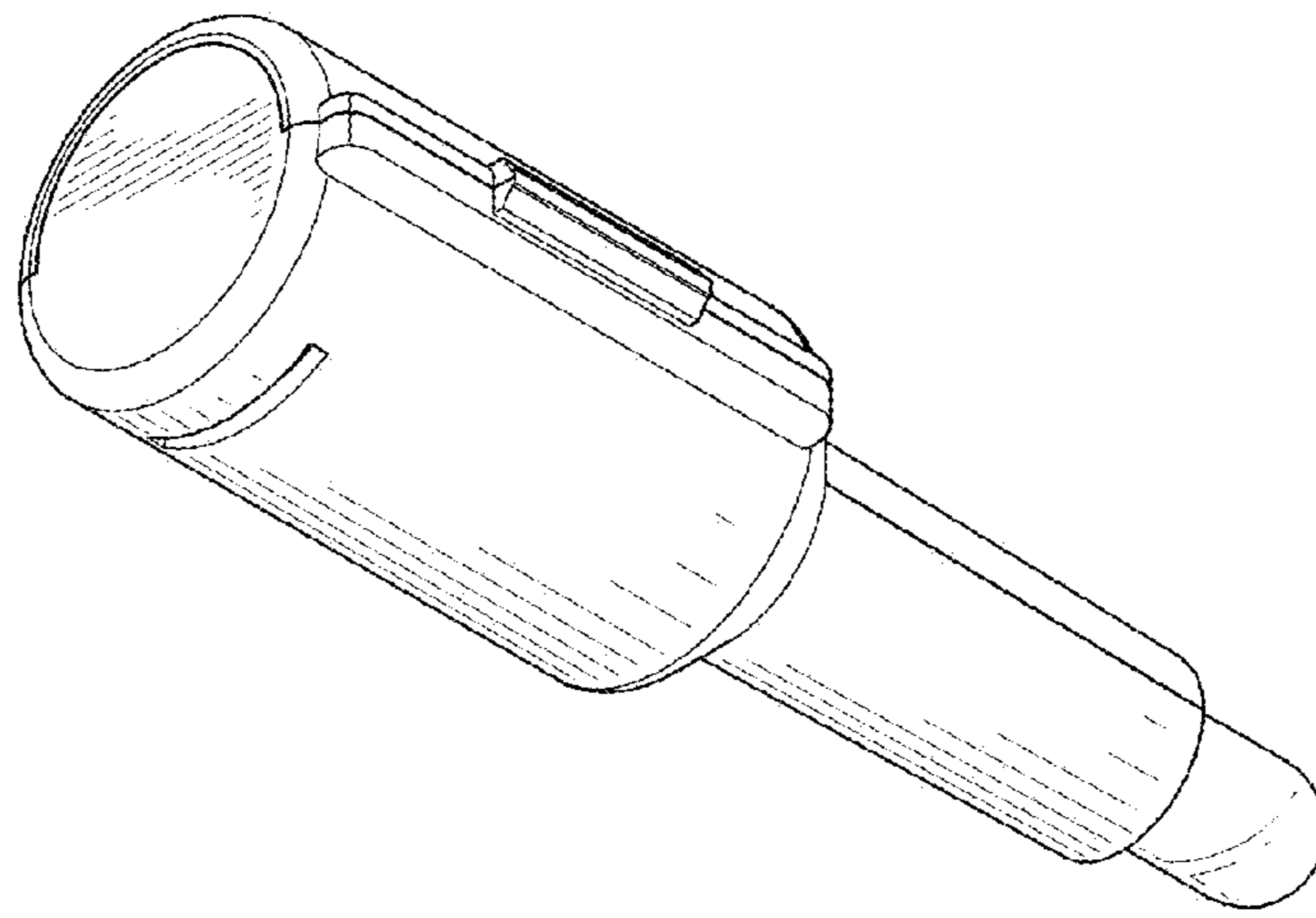


FIG.8