



US00D757935S

(12) **United States Design Patent**
Solingen et al.

(10) **Patent No.:** **US D757,935 S**
(45) **Date of Patent:** **** May 31, 2016**

- (54) **ROTATION WHEEL EXTENSION**
- (71) Applicant: **Karl Storz Endoscopy-America, Inc.**,
El Segundo, CA (US)
- (72) Inventors: **Simon Solingen**, Los Angeles, CA (US);
Doug Allen, Los Angeles, CA (US)
- (73) Assignee: **KARL STORZ Endoscopy-America, Inc.**, El Segundo, CA (US)
- (**) Term: **14 Years**
- (21) Appl. No.: **29/481,510**
- (22) Filed: **Feb. 6, 2014**
- (51) **LOC (10) Cl.** **24-02**
- (52) **U.S. Cl.**
USPC **D24/133**
- (58) **Field of Classification Search**
USPC D24/133, 153, 143, 144, 145, 146, 147,
D24/148, 132, 137, 138, 127, 154, 231;
D8/51, 52, 54; 606/45, 51, 41, 1, 40,
606/167, 174, 277, 324, 120, 147, 151, 205,
606/206, 207, 46; 600/101, 104, 117, 118;
D23/249, 250, 252, 303, 499
See application file for complete search history.

- D667,553 S * 9/2012 Solingen D24/143
- D668,762 S * 10/2012 Makowski et al. D24/138
- D669,174 S * 10/2012 Makowski D24/138
- D669,175 S * 10/2012 Makowski et al. D24/138
- D705,425 S * 5/2014 Boone et al. D24/147
- D707,356 S * 6/2014 Vonck et al. D24/133
- D717,432 S * 11/2014 Leroy et al. D24/138
- D718,445 S * 11/2014 Yoshida D24/138

(Continued)

OTHER PUBLICATIONS

U.S. Appl. No. 29/514,380, filed Jan. 12, 2015.

Primary Examiner — Ian Simmons

Assistant Examiner — Samantha Q Lawrence

(74) *Attorney, Agent, or Firm* — Muncy, Geissler, Olds & Lowe, P.C.

(57) **CLAIM**

The ornamental design for a rotation wheel extension, as shown and described.

DESCRIPTION

FIG. 1 is a perspective view of a rotation wheel extension according to the present invention.

FIG. 2 is a right side view of the rotation wheel extension of FIG. 1.

FIG. 3 is a left side view of the rotation wheel extension of FIG. 1.

FIG. 4 is a rear view of the rotation wheel extension of FIG. 1.

FIG. 5 is a front view of the rotation wheel extension of FIG. 1.

FIG. 6 is a top view of the rotation wheel extension of FIG. 1; and,

FIG. 7 is a bottom view of the rotation wheel extension of FIG. 1.

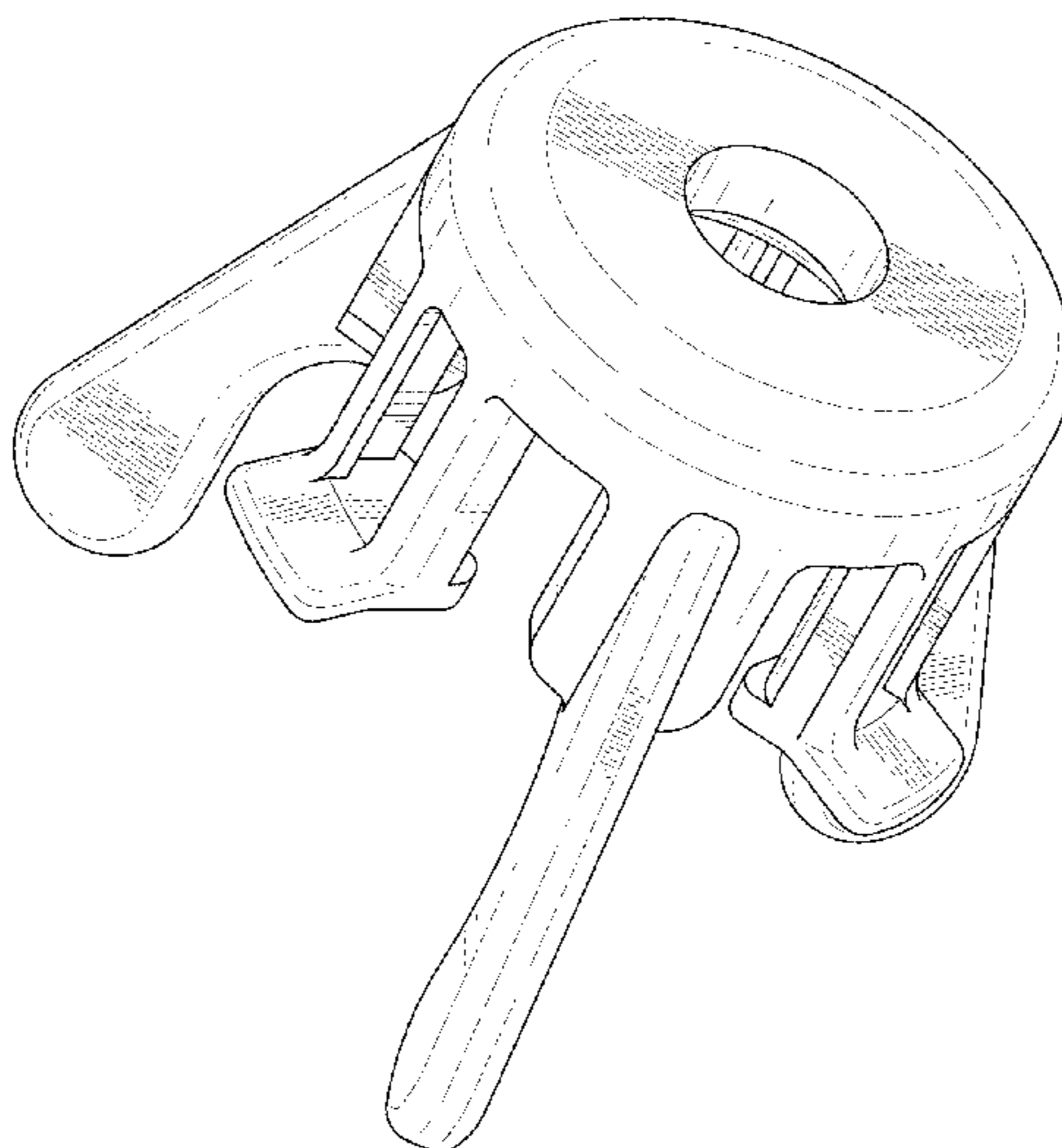
The broken lines shown in FIG. 7 illustrate portions of the rotation wheel extension that form no part of the claimed design.

1 Claim, 7 Drawing Sheets

(56) **References Cited**

U.S. PATENT DOCUMENTS

- D484,594 S * 12/2003 Hayamizu D24/138
- 7,278,992 B2 * 10/2007 Cropper et al. 606/41
- D558,306 S * 12/2007 McCluskey D23/264
- D574,080 S * 7/2008 Segawa et al. D24/133
- D607,032 S * 12/2009 Halleck et al. D16/202
- D620,108 S * 7/2010 Eitenmueller D24/133
- D624,646 S * 9/2010 Peschke D24/133
- D632,786 S * 2/2011 Risoli D24/133
- D638,937 S * 5/2011 Tanaka D24/138
- D643,534 S * 8/2011 Halleck et al. D24/138
- D648,025 S * 11/2011 Boone et al. D24/147
- 8,162,939 B2 * 4/2012 Shizuka 606/48
- D661,798 S * 6/2012 Besse D24/133



US D757,935 S

Page 2

(56)

References Cited

U.S. PATENT DOCUMENTS

D743,547 S *	11/2015	Chang	D24/146	2009/0038738 A1*	2/2009	Nakamura	156/94
2008/0287737 A1*	11/2008	Dejima	600/118	2012/0209255 A1*	8/2012	Blocher	A61B 17/29 606/1
					2014/0142384 A1*	5/2014	Chung et al.	600/112

* cited by examiner

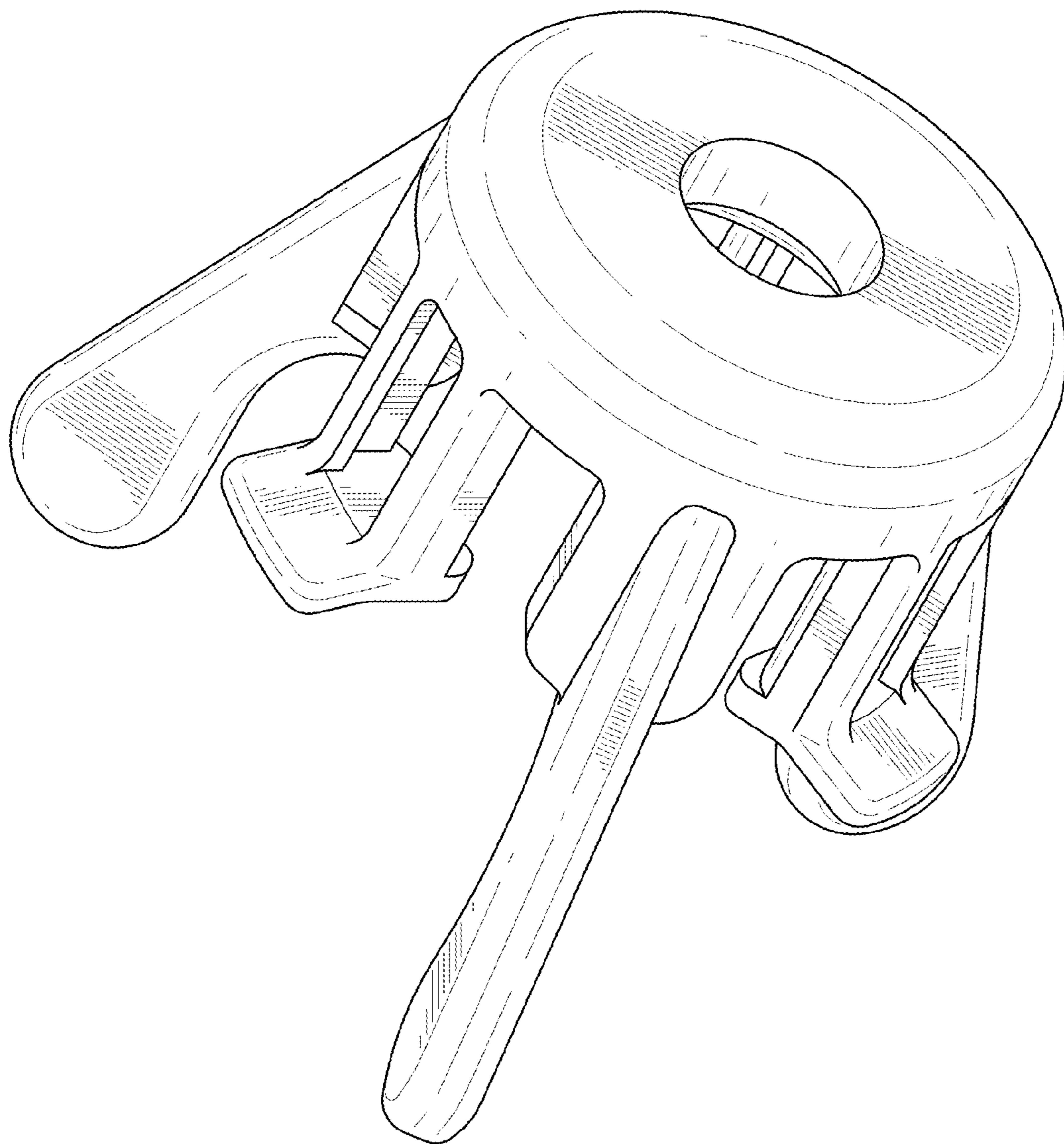


FIG.1

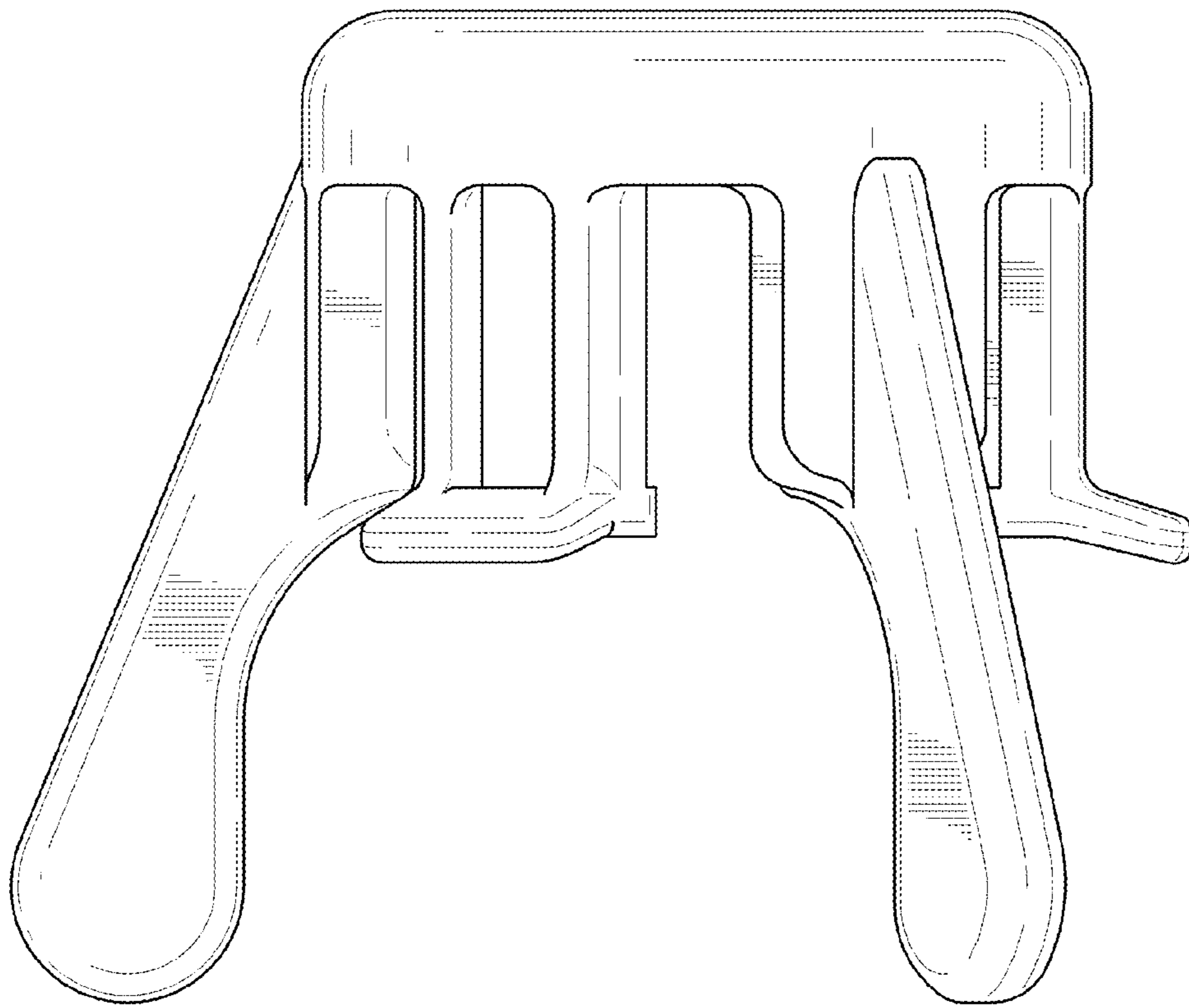


FIG.2

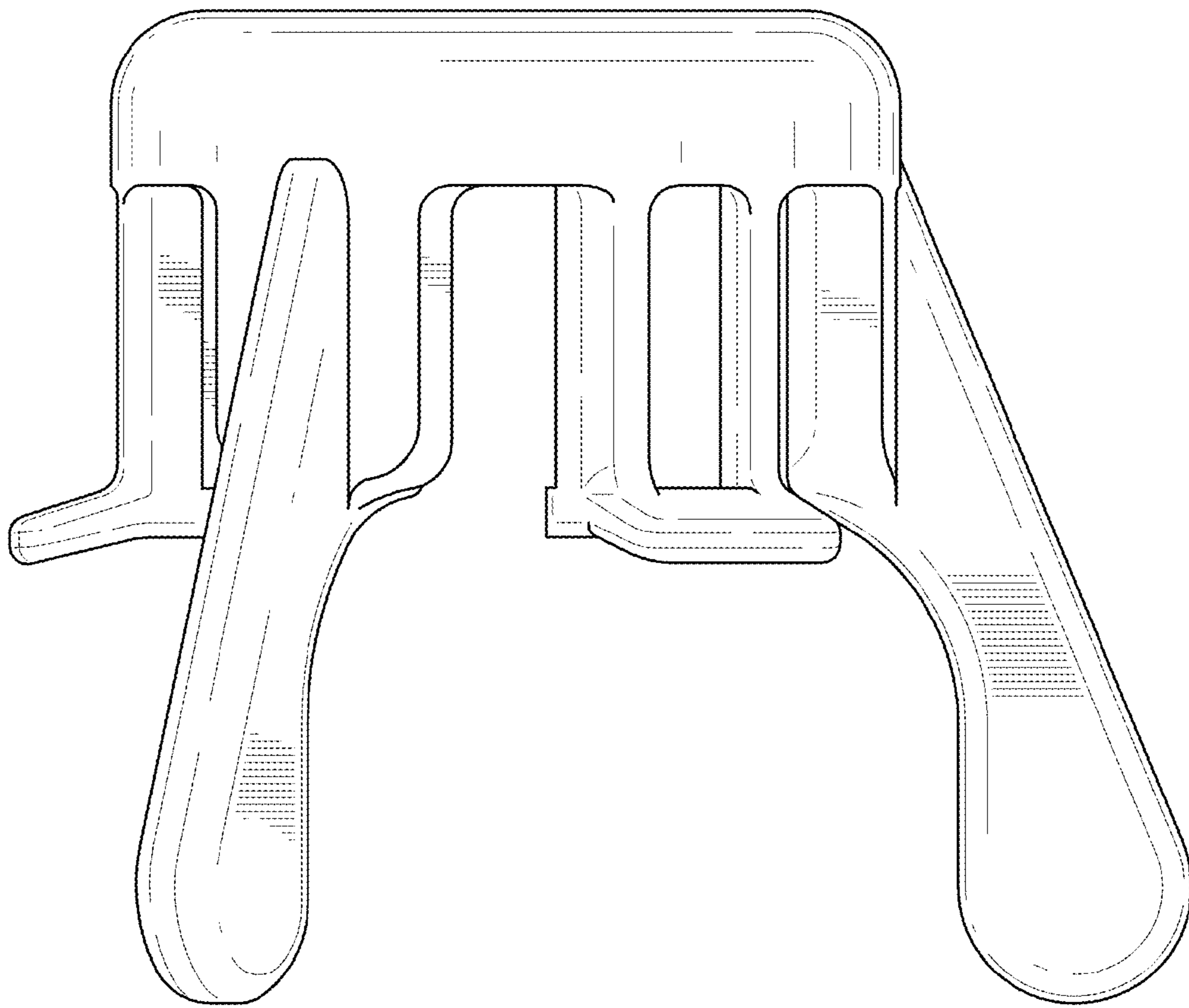


FIG.3

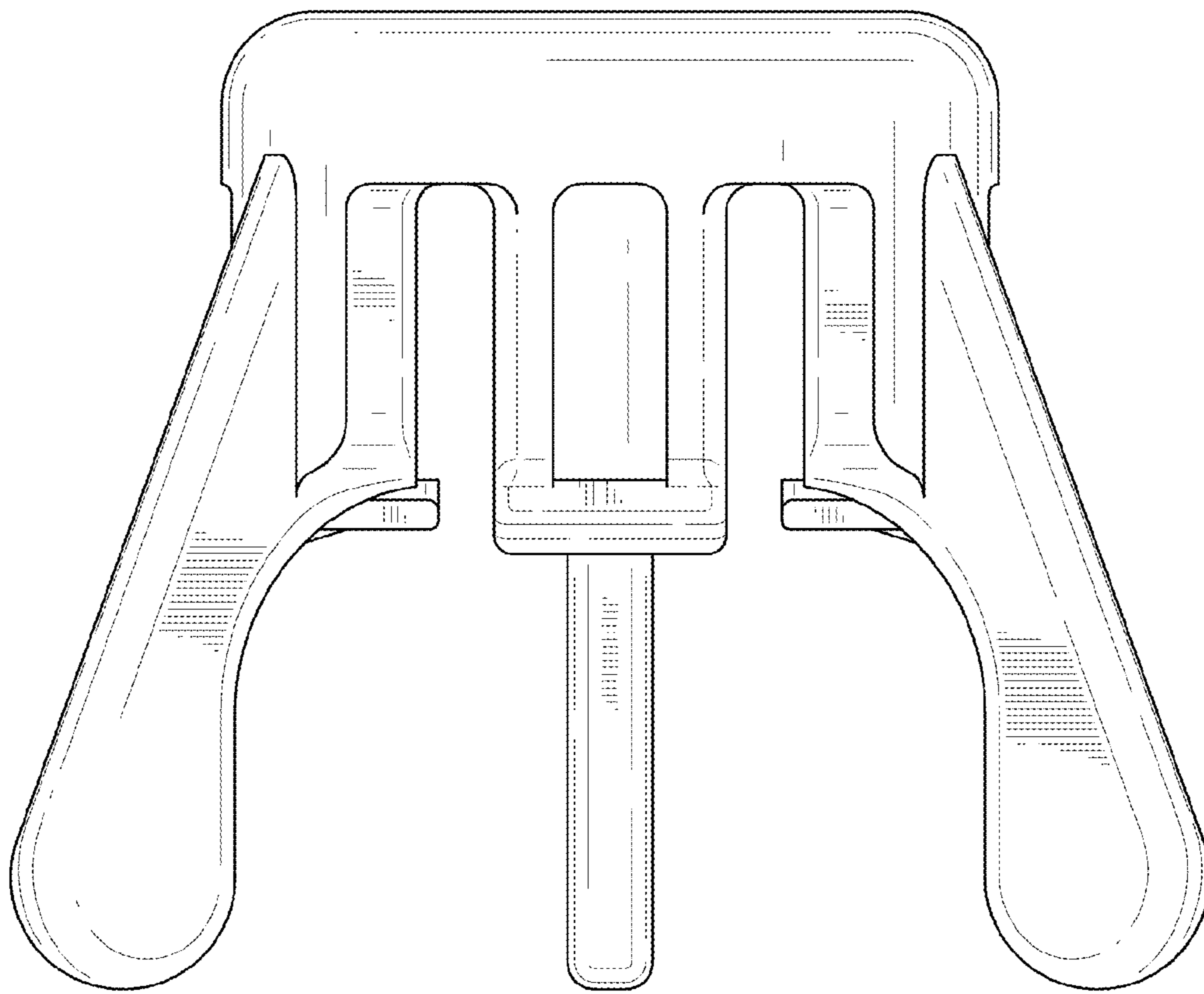


FIG.4

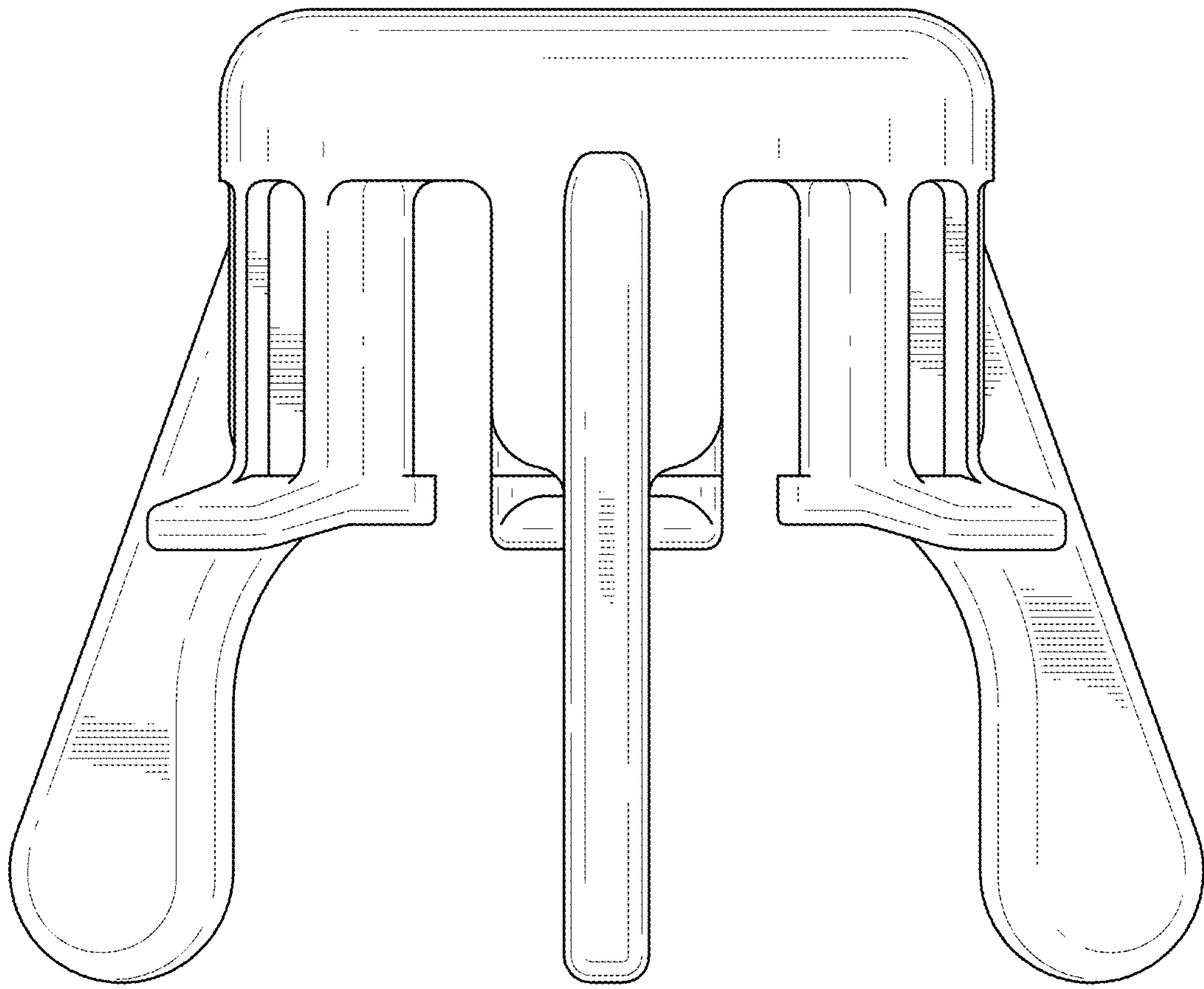


FIG.5

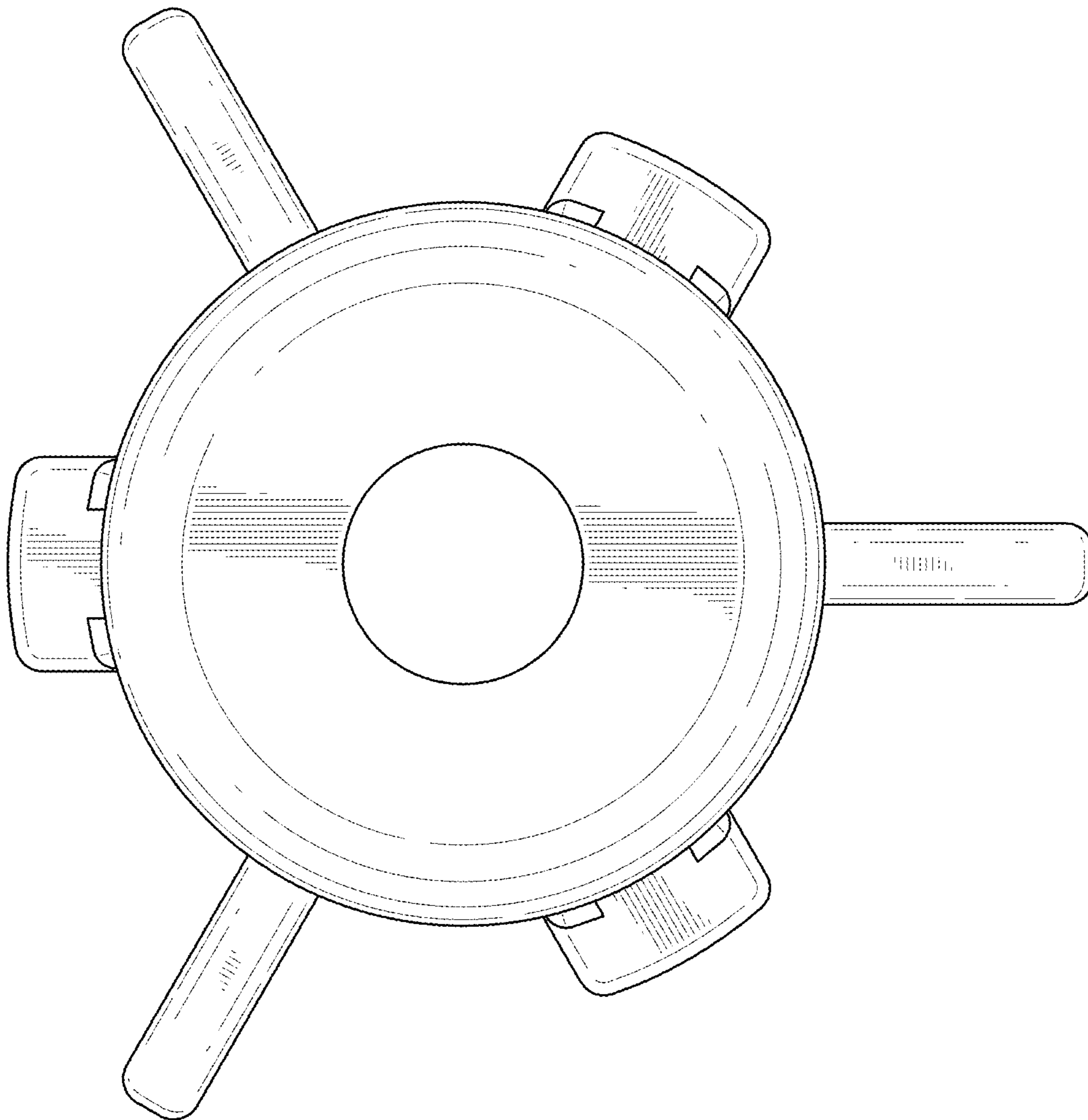


FIG.6

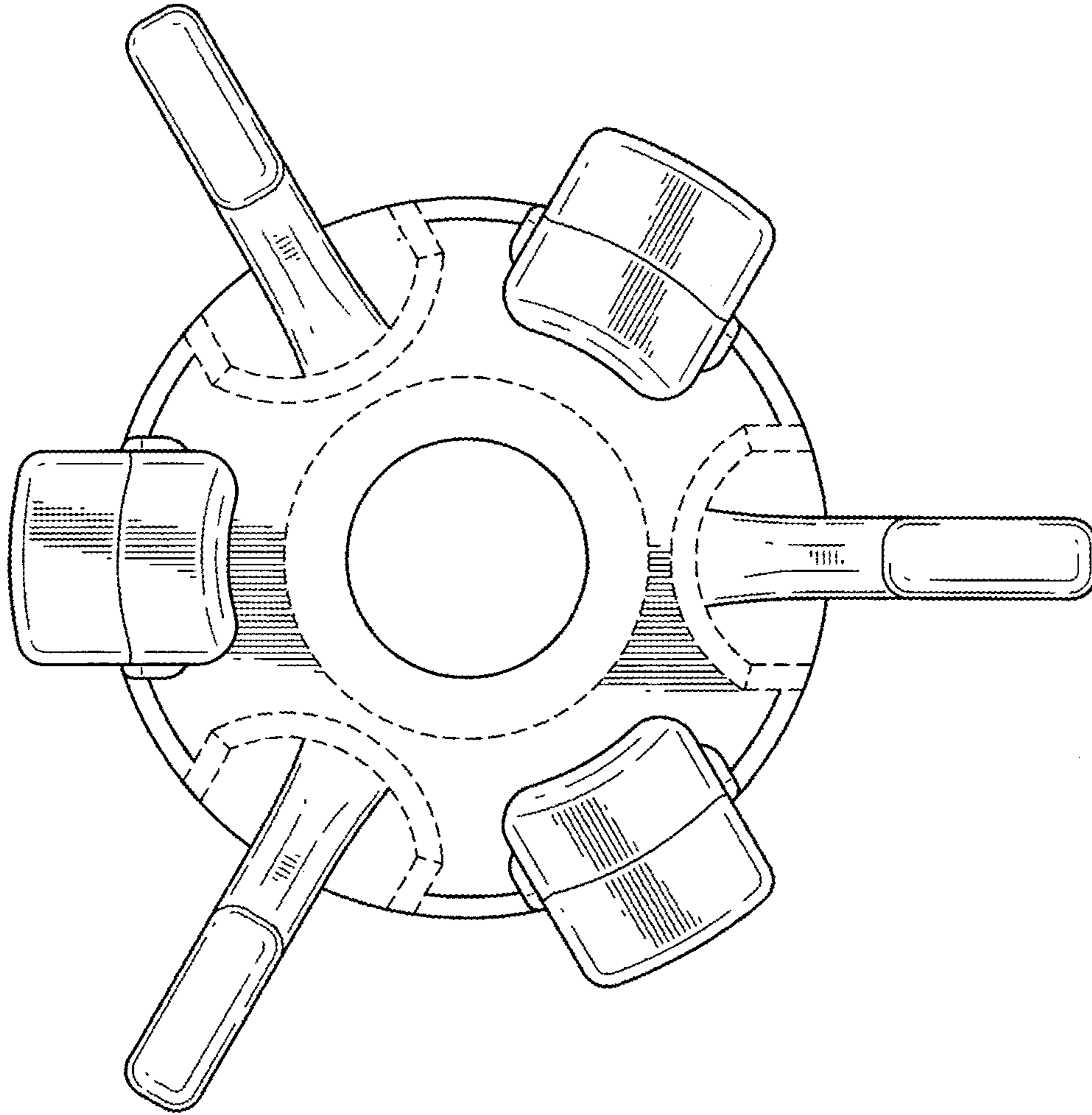


FIG. 7