

US00D757934S

(12) **United States Design Patent**
Barrett et al.

(10) **Patent No.:** **US D757,934 S**
(45) **Date of Patent:** **** May 31, 2016**

(54) **BLOOD FLOW CHAMBER**

3,740,156 A 6/1973 Heigl et al.
4,243,883 A 1/1981 Schwarzmann
D270,281 S 8/1983 Andersen et al.

(71) Applicant: **Fresenius Medical Care Holdings, Inc.**,
Waltham, MA (US)

(Continued)

(72) Inventors: **Louis L. Barrett**, West Point, UT (US);
Perry N. Law, Centerville, UT (US)

FOREIGN PATENT DOCUMENTS

(73) Assignee: **FRESENIUS MEDICAL HOLDINGS, INC.**, Waltham, MA (US)

CN 101015455 A 8/2007
CN 101113477 A 1/2008

(Continued)

(**) Term: **14 Years**

OTHER PUBLICATIONS

(21) Appl. No.: **29/515,808**

Chinese Office action for Chinese Patent Application No. 201180055375.2, dated Mar. 16, 2015 (43 pages total).

(22) Filed: **Jan. 27, 2015**

(Continued)

Related U.S. Application Data

(63) Continuation of application No. 29/414,163, filed on Feb. 24, 2012, now Pat. No. Des. 725,261.

Primary Examiner — Sheryl Lane

Assistant Examiner — Ieisha Price

(51) **LOC (10) Cl.** **24-01**

(74) *Attorney, Agent, or Firm* — Leydig, Voit & Mayer, Ltd.

(52) **U.S. Cl.**

(57) **CLAIM**

USPC **D24/129**

The ornamental design for a blood flow chamber, as shown and described.

(58) **Field of Classification Search**

DESCRIPTION

USPC D24/169, 186, 129, 223; D10/81, 96
CPC A61B 5/14535; A61B 5/14557; A61B 5/1455; A61B 2562/185; A61B 5/1495; A61M 1/367; A61M 39/10; A61M 2205/3313; A61M 2230/205; A61M 2230/207; A61M 2205/3306; Y10T 436/11
See application file for complete search history.

FIG. 1 is a perspective view of a blood flow chamber showing our new design;

FIG. 2 is a top plan view of the blood flow chamber of FIG. 1;

FIG. 3 is a bottom plan view of the blood flow chamber of FIG. 1;

FIG. 4 is a side elevation view of the blood flow chamber of FIG. 1;

FIG. 5 is one end elevation view of the blood flow chamber of FIG. 1; and,

FIG. 6 is another end elevation view of the blood flow chamber of FIG. 1.

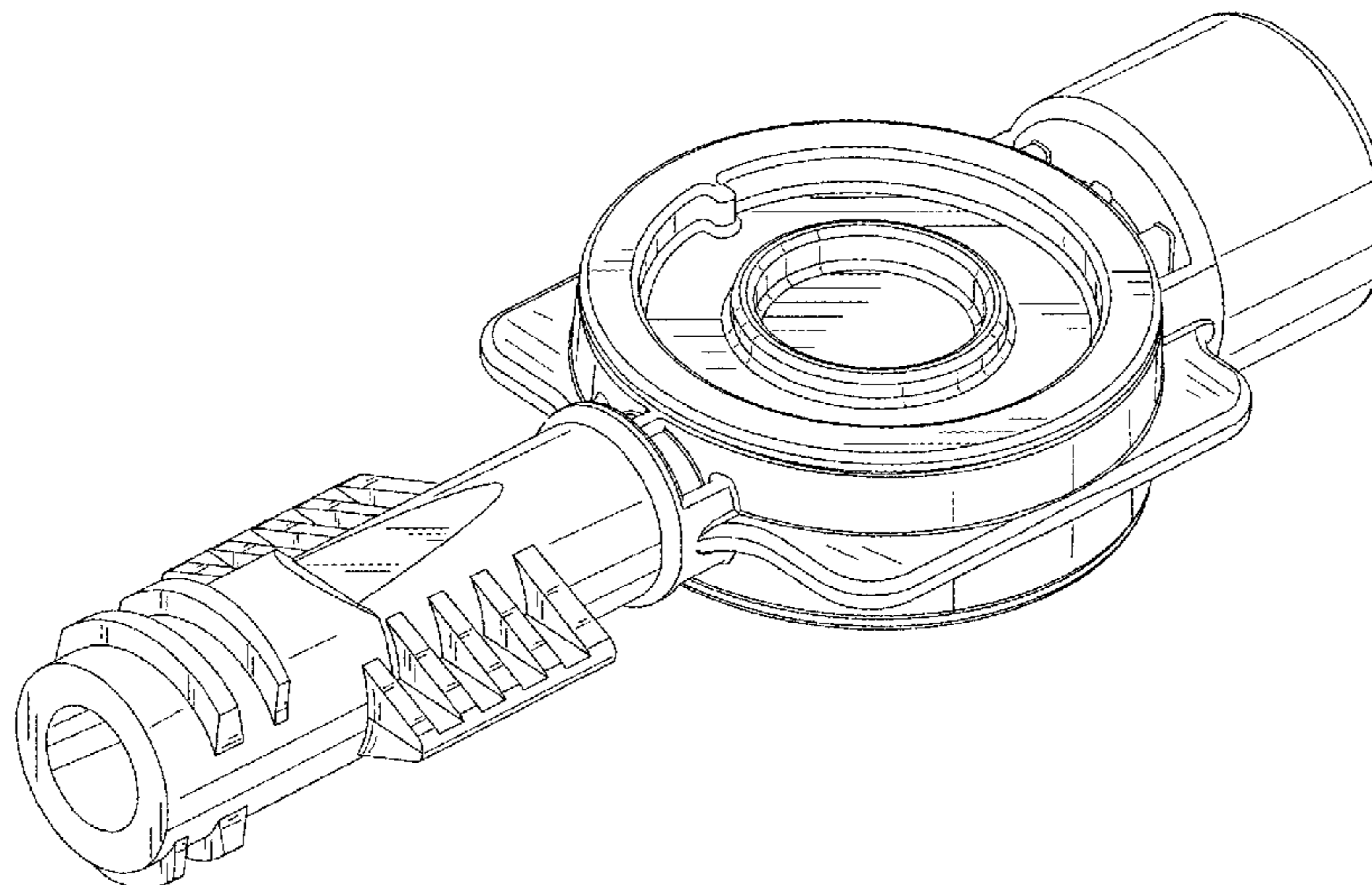
The broken lines in the drawings illustrate portions of the blood flow chamber and form no part of the claimed design.

(56) **References Cited**

U.S. PATENT DOCUMENTS

2,357,238 A 8/1944 Trimble
D206,714 S * 1/1967 Badkar D24/129
D212,218 S 9/1968 Norton
3,580,683 A 5/1971 Schulkind
3,728,032 A 4/1973 Noll

1 Claim, 3 Drawing Sheets



(56)

References Cited

U.S. PATENT DOCUMENTS

4,444,498 A 4/1984 Heinemann
 4,784,768 A 11/1988 Mathieu
 4,936,993 A 6/1990 Nomura
 5,073,171 A 12/1991 Eaton
 5,171,456 A 12/1992 Hwang et al.
 D335,096 S 4/1993 Marsh
 5,231,464 A 7/1993 Ichimura et al.
 5,247,434 A 9/1993 Peterson et al.
 5,312,535 A 5/1994 Waska et al.
 5,351,686 A 10/1994 Steuer et al.
 5,366,630 A 11/1994 Chevallet
 5,372,136 A 12/1994 Steuer et al.
 5,456,253 A 10/1995 Steuer et al.
 5,458,566 A 10/1995 Herrig et al.
 5,476,764 A 12/1995 Bitensky
 5,670,050 A 9/1997 Brose et al.
 5,674,390 A 10/1997 Matthews et al.
 5,676,644 A 10/1997 Toavs et al.
 5,729,333 A 3/1998 Osten et al.
 5,730,712 A 3/1998 Falkvall et al.
 5,762,805 A 6/1998 Truitt et al.
 5,769,815 A 6/1998 Utterberg
 5,792,052 A 8/1998 Isaacson et al.
 D409,750 S 5/1999 Hacker
 6,018,673 A 1/2000 Chin et al.
 6,069,687 A 5/2000 Briggs
 6,090,061 A 7/2000 Steuer et al.
 6,284,131 B1 9/2001 Hogard et al.
 6,284,142 B1 9/2001 Muller
 6,510,330 B1 1/2003 Enejder
 6,554,788 B1 4/2003 Hunley et al.
 6,746,415 B1 6/2004 Steuer et al.
 6,784,820 B1 8/2004 Casalegno et al.
 7,018,353 B2 3/2006 Hunley et al.
 D518,573 S 4/2006 French
 7,247,143 B2 7/2007 Law et al.
 7,361,974 B2 3/2010 O'Mahony et al.
 7,671,974 B2 3/2010 O'Mahoney et al.
 D623,302 S * 9/2010 Barrett D24/169
 D625,824 S 10/2010 Brackett et al.
 D630,536 S 1/2011 Pettit
 D654,999 S 2/2012 Barrett et al.
 8,133,194 B2 3/2012 Szamoadalvi et al.
 8,287,739 B2 10/2012 Barrett et al.
 8,315,682 B2 11/2012 Such et al.
 8,328,748 B2 12/2012 Law et al.
 8,333,724 B2 12/2012 Barrett et al.
 D684,695 S 6/2013 Greent et al.
 D684,697 S 6/2013 Green et al.
 8,517,968 B2 8/2013 Barrett et al.
 D698,440 S 1/2014 Lombardi et al.
 9,002,655 B2 4/2015 Bene
 D739,774 S * 9/2015 Behar D10/96
 2001/0016699 A1 8/2001 Burbank et al.
 2001/0021817 A1 9/2001 Brugger et al.
 2001/0037079 A1 11/2001 Burbank et al.
 2001/0041892 A1 11/2001 Burbank et al.
 2002/0103453 A1 8/2002 Burbank et al.
 2002/0147423 A1 10/2002 Burbank et al.
 2003/0009123 A1 1/2003 Brugger et al.
 2003/0045784 A1 3/2003 Palatnik et al.
 2003/0070969 A1 4/2003 Muller et al.
 2003/0097087 A1 5/2003 Gura
 2003/0143116 A1 7/2003 Zheng et al.
 2003/0196949 A1 10/2003 Sunohara et al.
 2003/0210390 A1 11/2003 O'Mahoney et al.
 2003/0212316 A1 11/2003 Leiden et al.
 2004/0087845 A1 5/2004 Katarow et al.
 2005/0094127 A1 5/2005 O'Mahony et al.
 2006/0036185 A1 2/2006 Lewicke et al.
 2006/0144776 A1 7/2006 Mishkin et al.
 2006/0226079 A1 10/2006 Mori et al.
 2006/0290625 A1 12/2006 Sugimoto
 2007/0100219 A1 5/2007 Sweutzer et al.
 2007/0149871 A1 6/2007 Sarussi et al.

2007/0179433 A1 8/2007 Jonsson et al.
 2008/0081970 A1 4/2008 Boyce et al.
 2008/0129047 A1 6/2008 Blivet et al.
 2008/0300570 A1 12/2008 Fowles et al.
 2009/0054751 A1 2/2009 Babashan et al.
 2009/0247850 A1 10/2009 Porges
 2010/0004518 A1 1/2010 Vo et al.
 2010/0110416 A1 * 5/2010 Barrett A61B 5/14535
 356/40
 2010/0113891 A1 * 5/2010 Barrett A61B 5/14535
 600/301
 2010/0168531 A1 7/2010 Shaltis et al.
 2011/0004082 A1 1/2011 Poeze et al.
 2011/0022077 A1 1/2011 Green et al.
 2011/0160679 A1 6/2011 Okiyama et al.
 2012/0120384 A1 5/2012 Barrett et al.
 2012/0154789 A1 6/2012 Barrett et al.

FOREIGN PATENT DOCUMENTS

EP 0 274 178 A1 7/1988
 EP 0 467 805 A1 1/1992
 EP 0 990 444 A2 4/2000
 GB 1 583 023 A 1/1981
 JP 09-229847 9/1997
 JP 2009-216711 9/2009
 WO WO 94/27495 A1 12/1994
 WO WO 98/37801 A1 9/1998
 WO WO 00/33053 A1 6/2000
 WO WO 01/87151 A2 11/2001
 WO WO 02/078783 A2 10/2002

OTHER PUBLICATIONS

Official Action for European Patent Application No. 11801888.6, dated Apr. 9, 2015.
 Office action for Chinese Patent Application No. 201280010099.2, dated Apr. 22, 2015.
 Japanese Office action for Japanese Patent Application No. 58245/2013, dated Dec. 24, 2014, (5 pages).
 Chinese Office action for Chinese Patent Application No. 201180042991.4, dated Jan. 19, 2015, (9 pages).
 Sacker-Berstein, Jonathan D., M.D., et al. "How Should Diuretic-Refractory Volume-Overloaded Heart Failure Patients Be Managed?", *The Journal of Invasive Cardiology*, vol. 15., No. 10 (Oct. 2003), pp. 585-590, retrieved from http://www.medscape.com/viewarticle/463509_print on Mar. 11, 2013, pp. 1-11.
 Jaski, Brian E., M.D., "Peripherally Inserted Venovenous Ultrafiltration for Rapid Treatment of Volume Overloaded Patients", *Journal of Cardiac Failure*, vol. 9, No. 3 (Jun. 2003) pp. 227-231.
 Steuer, et al., "Optical Measurement of Hematocrit and Other Biological Constituents in Renal Therapy", *Advances in Renal Replacement Therapy*, vol. 6, No. 3 (Jul. 1999), pp. 217-224).
 Gardner, "Exponential Smoothing: The State of Art", *Journal of Forecasting*, vol. 4, 1985, (pp. 1-28).
 Baum, "An Introduction to Modern Econometrics Using Strata", *StataCorp., LP*, 2006, Chapter 9, (pp. 2165-2245).
 International Search Report and Written Opinion for International No. PCT/US2009/057964, dated Jun. 18, 2010.
 Logman, Dirren H., MHGM, et al., "Altitude Correction fro Hemoglobin", *European Journal of Clinical Nutrition*, (Believed to be no longer in publication).
 Peer Review, "Effects of CPD and K2EDTA Preservatives on Blood Sample Hematocrit", *Asaio Abstract Submission Information*, 45th Annual Conference, San Diego, Jun. 3-5, 1999.
 Cohen, Jennifer H., et al., "Hemoglobin Correction Factors for Estimating the Prevalence of Iron Deficiency Anemia in Pregnant Women Residing at High Altitudes in Bolivia", retrieved from http://www.scielo.php?script=sci_arttext&pid=S1020-49891999001100004 on Jun. 19, 2009 (12 pages).
 Zhang, S., Ph.D., et al., *Hematocrit Measurement Error Due to Time Dependence of Hematocrit fro EDTA-Preserved Blood Samples*, *ANA 36 Annual Meeting & Scientific Exposition*, <http://www.call4abstracts.com/ams/main/finalpreview>, site visited Jun. 25, 2003.

(56)

References Cited

OTHER PUBLICATIONS

Crit-Line Hematocrit Accuracy Hema Metrics, vol. 1, *Tech Note* No. 11 (Rev D), pp. 1-4, Feb. 24, 2003.

ScienceStockroom Flow Through Cuvette, p. 8/14.

International Search Report of International Application No. PCT/US2011/061273 (Mar. 13, 2012).

Barrett, Lee, "Effects of CPD and K_3 EDTA Preservatives on Blood Sample Hematocrit", Abstract Submission, *ASAIO*, 45th Annual Conference, San Diego (Jun. 1999).

Office action for co-pending Canadian Patent Application No. 2,742,619, dated Aug. 5, 2013.

Original claims as filed for co-pending Canadian Patent Application No. 2,742,619, including a Voluntary Amendment dated Sep. 6, 2011.

Office action for co-pending Canadian Patent Application No. 2,742,794, including original claims as filed.

Official action for co-pending European Patent Application No. 11 755 533.4 dated Apr. 16, 2013.

Official action for co-pending European Patent Application No. 11 754 974.1 dated Apr. 16, 2013.

Written Opinion for International Patent Application No. PCT/US2011/061273.

Blood Chamber 2001—submitted by applicant on Aug. 13, 2014.

CL Photo 2000—submitted by applicant on Aug. 13, 2014.

Official Action from co-pending Canadian Patent Application No. 2,742,619, dated Nov. 6, 2014 (5 pages).

U.S. Appl. No. 13/405,148, filed Feb. 24, 2012.

U.S. Appl. No. 12/876,572, filed Sep. 7, 2012.

U.S. Appl. No. 13/034,788, filed Feb. 25, 2011.

U.S. Appl. No. 29/385,704, filed Feb. 18, 2011.

U.S. Appl. No. 29/414,163, filed Feb. 24, 2012.

U.S. Appl. No. 12/876,798, filed Sep. 7, 2010.

U.S. Appl. No. 12/880,519, filed Sep. 13, 2010.

U.S. Appl. No. 12/265,386, filed Nov. 5, 2008.

U.S. Appl. No. 12/265,392, filed Nov. 5, 2008.

U.S. Appl. No. 13/299,303, filed Nov. 17, 2001.

U.S. Appl. No. 13/366,119, filed Feb. 3, 2012.

U.S. Appl. No. 13/030,212, filed Feb. 18, 2011.

U.S. Appl. No. 14/010,149, filed Aug. 26, 2013.

U.S. Appl. No. 14/263,570, filed Apr. 28, 2014.

Examination Report for Australian Application No. 2011329788, dated Jun. 17, 2015.

* cited by examiner

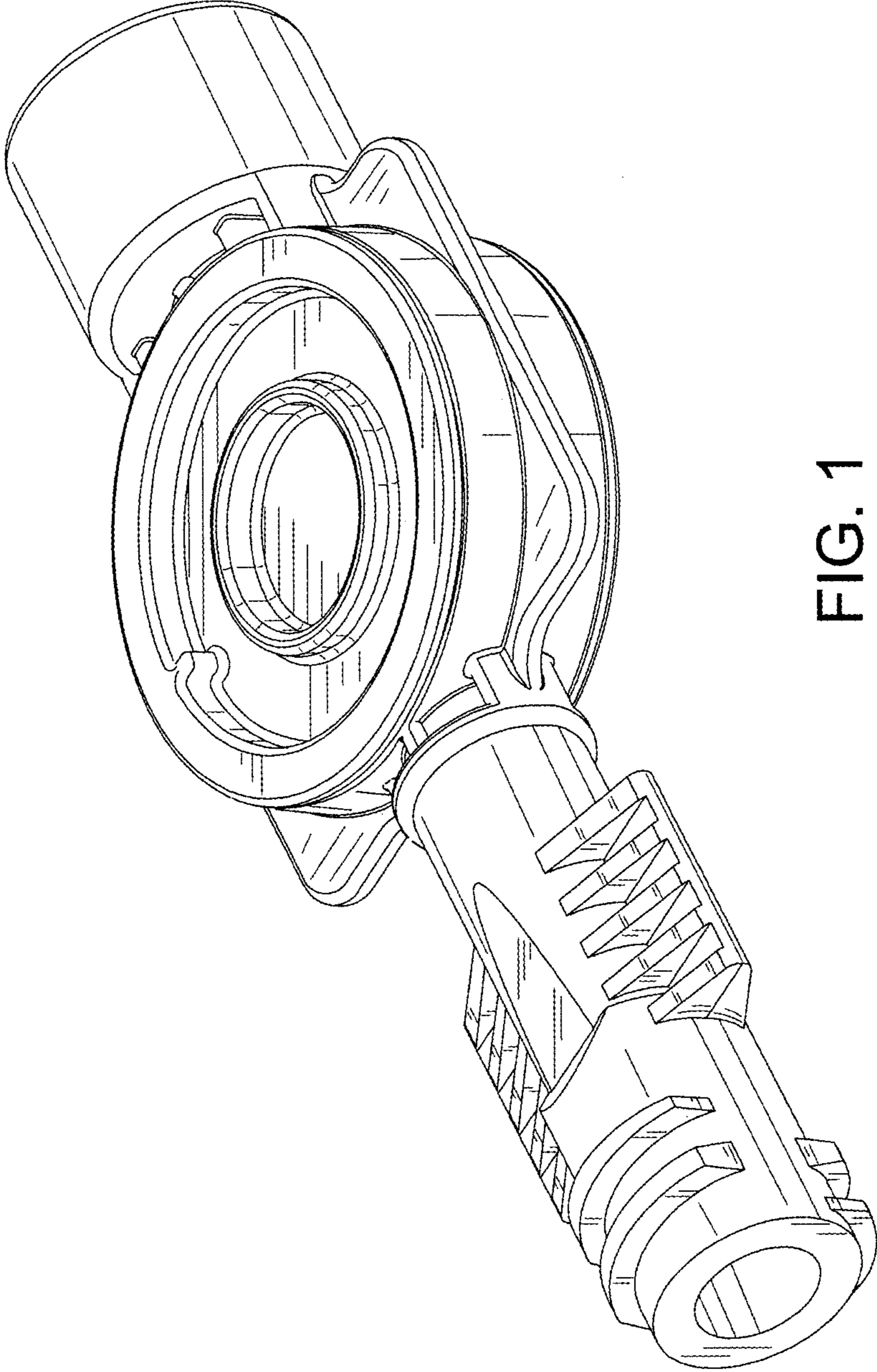


FIG. 1

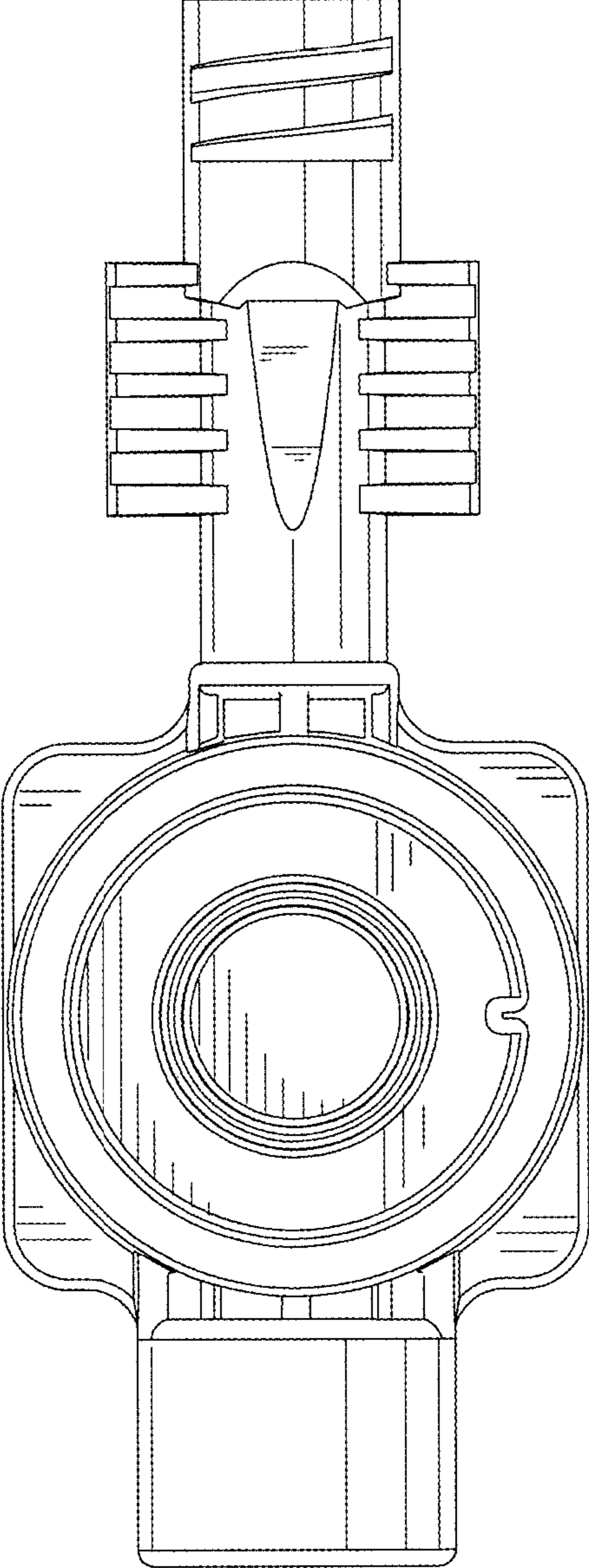


FIG. 2

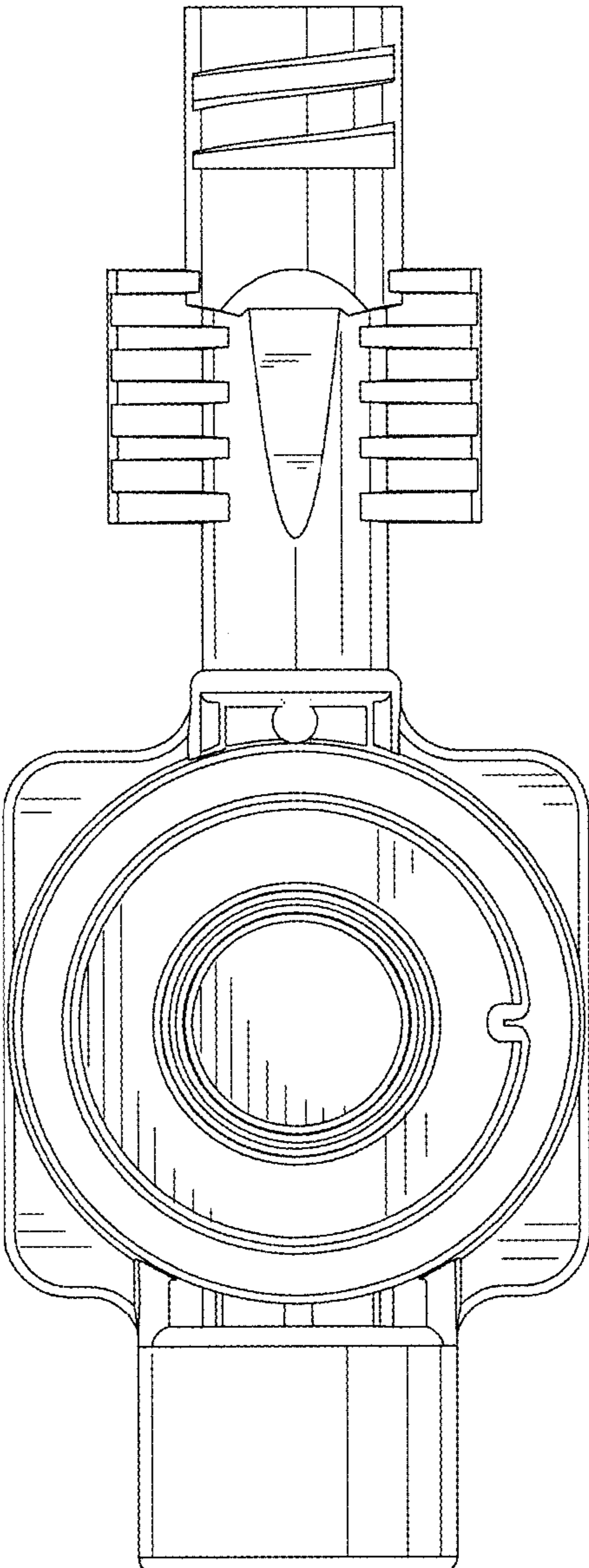


FIG. 3

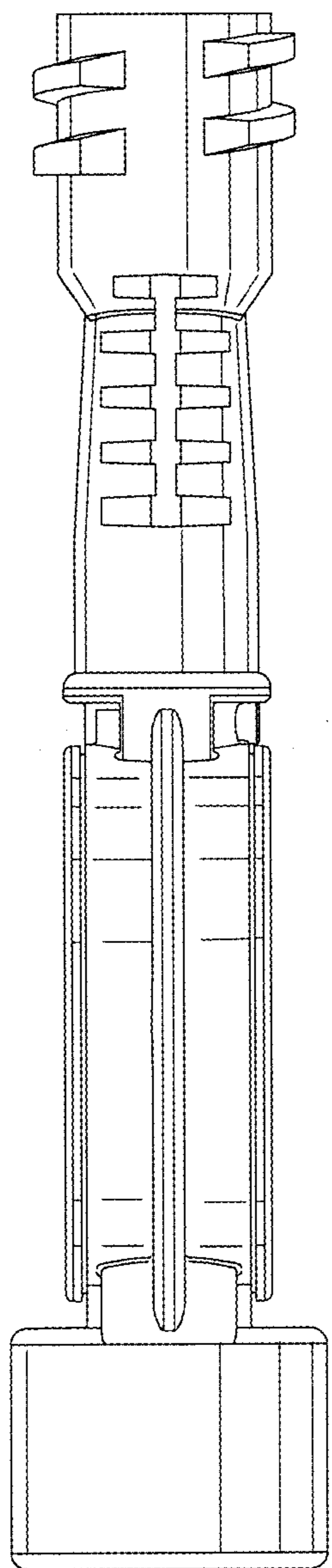


FIG. 4

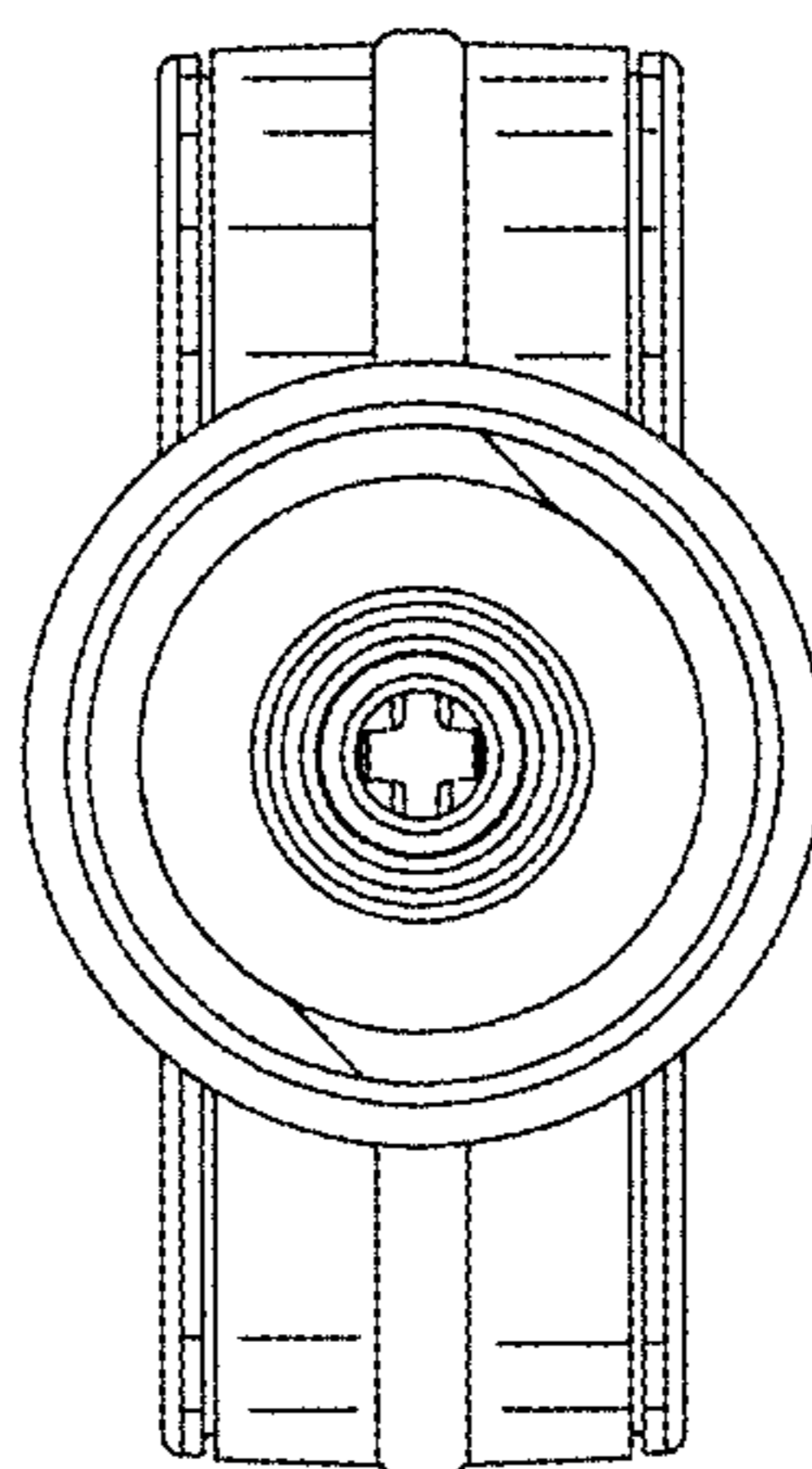


FIG. 5

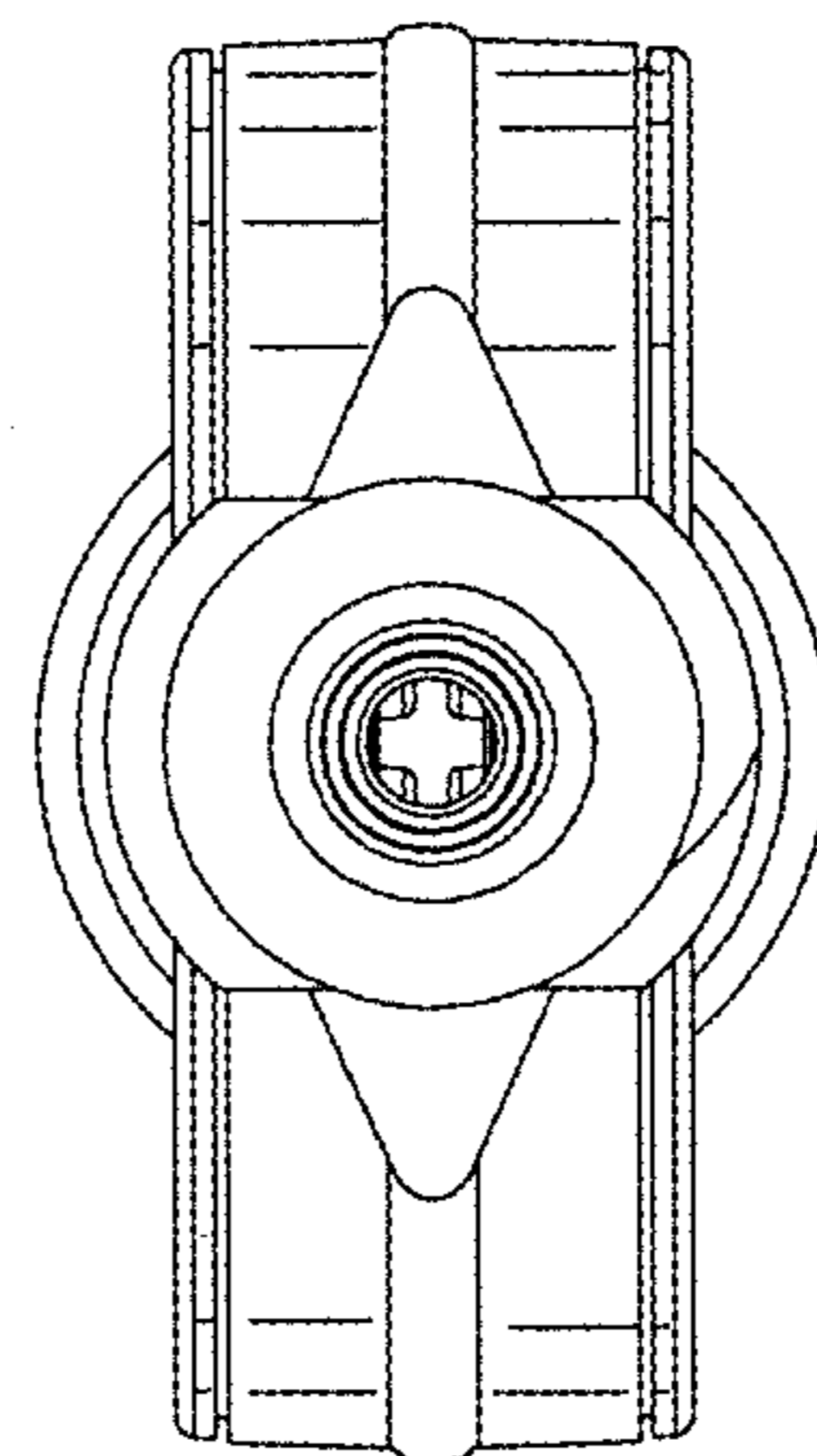


FIG. 6

UNITED STATES PATENT AND TRADEMARK OFFICE
CERTIFICATE OF CORRECTION

PATENT NO. : D757,934 S
APPLICATION NO. : 29/515808
DATED : May 31, 2016
INVENTOR(S) : Barrett et al.

Page 1 of 1

It is certified that error appears in the above-identified patent and that said Letters Patent is hereby corrected as shown below:

On the Title Page

Item (73) Assignee should be changed to --FRESENIUS MEDICAL CARE HOLDINGS, INC.,
Waltham, MA (US)--

Signed and Sealed this
Tenth Day of January, 2017



Michelle K. Lee
Director of the United States Patent and Trademark Office