



US00D757932S

(12) **United States Design Patent**  
**Sasaki et al.**

(10) **Patent No.:** **US D757,932 S**

(45) **Date of Patent:** **\*\* May 31, 2016**

(54) **TOILET SEAT COVER FOR A DIAPER**

(71) Applicant: **Unicare Corp.**, Bunkyo-ku, Tokyo (JP)

(72) Inventors: **Hidetada Sasaki**, Sendai (JP);  
**Masahiko Fujii**, Sendai (JP); **Masaji Komoda**, Bunkyo-ku (JP)

(73) Assignee: **UNICARE CORP.**, Tokyo (JP)

(\*\*) Term: **14 Years**

(21) Appl. No.: **29/455,397**

(22) Filed: **May 20, 2013**

(30) **Foreign Application Priority Data**

Nov. 22, 2012 (JP) ..... 2012-028609  
May 13, 2013 (JP) ..... 2013-010424

(51) **LOC (10) Cl.** ..... **24-04**

(52) **U.S. Cl.**  
USPC ..... **D24/126; D23/311**

(58) **Field of Classification Search**  
USPC ..... D24/126; 604/385.1, 385.2, 385.01,  
604/385.02, 358, 386, 540, 385.03;  
D23/303, 309, 311-312; 4/245.1,  
4/245.8, 425.9

See application file for complete search history.

(56) **References Cited**

**U.S. PATENT DOCUMENTS**

2,580,563 A \* 1/1952 Levin ..... 4/245.8  
4,050,105 A \* 9/1977 Marceaux ..... 4/245.4

D605,262 S \* 12/2009 Rodgers ..... D23/311  
D675,731 S \* 2/2013 Peltier-Robinson ..... D24/126  
D708,319 S \* 7/2014 Labit ..... D24/126  
D716,939 S \* 11/2014 Giloh ..... D24/126  
2007/0124854 A1 \* 6/2007 Spratt et al. .... 4/245.6

\* cited by examiner

*Primary Examiner* — T. Chase Nelson

*Assistant Examiner* — Michelle E Wilson

(74) *Attorney, Agent, or Firm* — DLA Piper LLP (US)

(57) **CLAIM**

The ornamental design for a toilet seat cover for a diaper, as shown and described.

**DESCRIPTION**

FIG. 1 is a front elevational view of the toilet seat cover for a diaper showing our new design;

FIG. 2 is a rear elevational view thereof;

FIG. 3 is a top plan view thereof;

FIG. 4 is a bottom plan view thereof;

FIG. 5 is a left side elevational view thereof, the right side elevational view being a mirror image of the left side elevational view;

FIG. 6 is a vertical cross-sectional view taken along the line 6-6 in FIG. 1; and

FIG. 7 is a perspective view of the toilet seat cover for a diaper taken from the front, top and left side thereof; and,

FIG. 8 is a perspective view of the toilet seat cover for a diaper taken from the front, rear and right side thereof.

The broken lines showing of the toilet seat cover for a diaper illustrate the environment of the claimed design and form no part thereof.

**1 Claim, 8 Drawing Sheets**

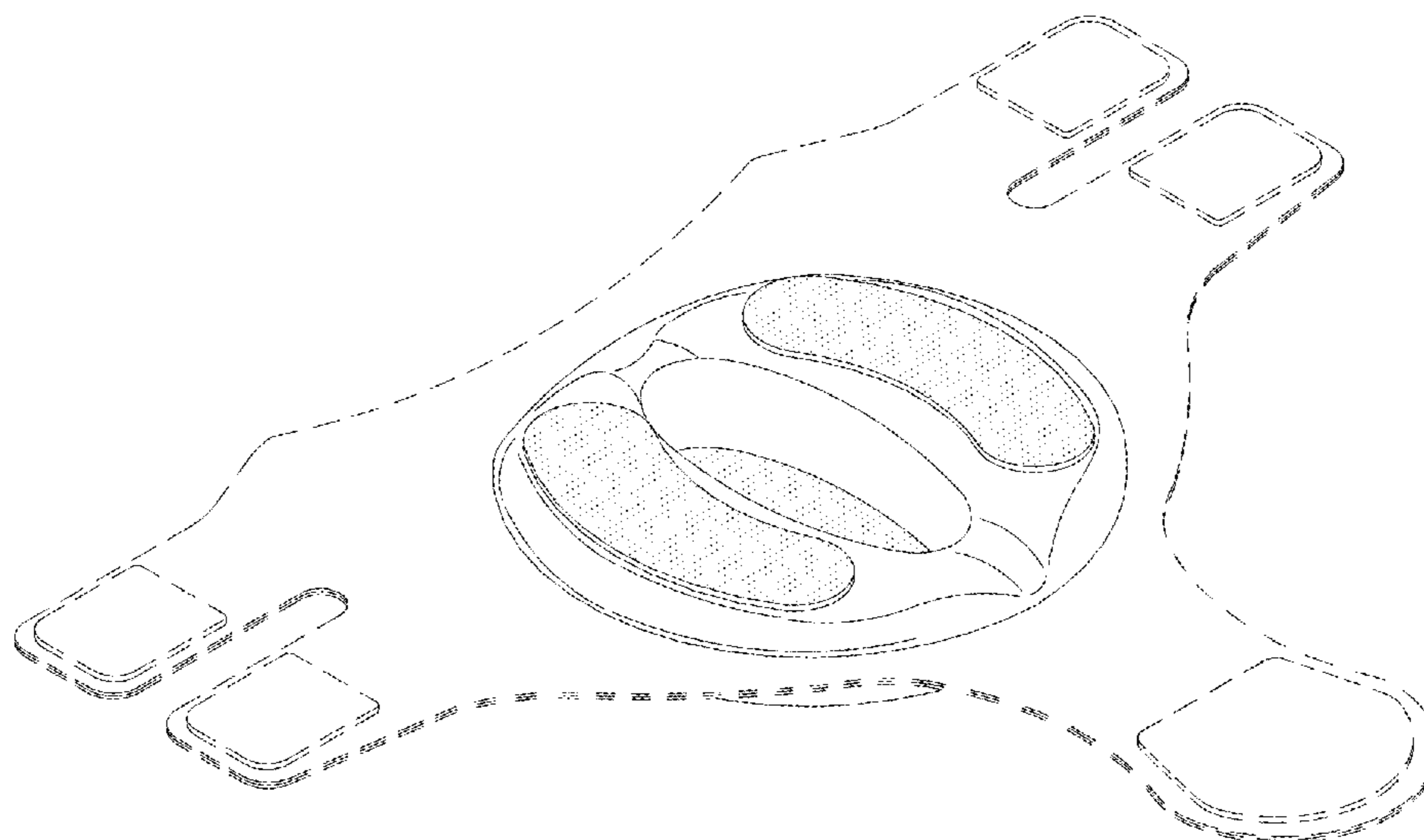


FIG. 1

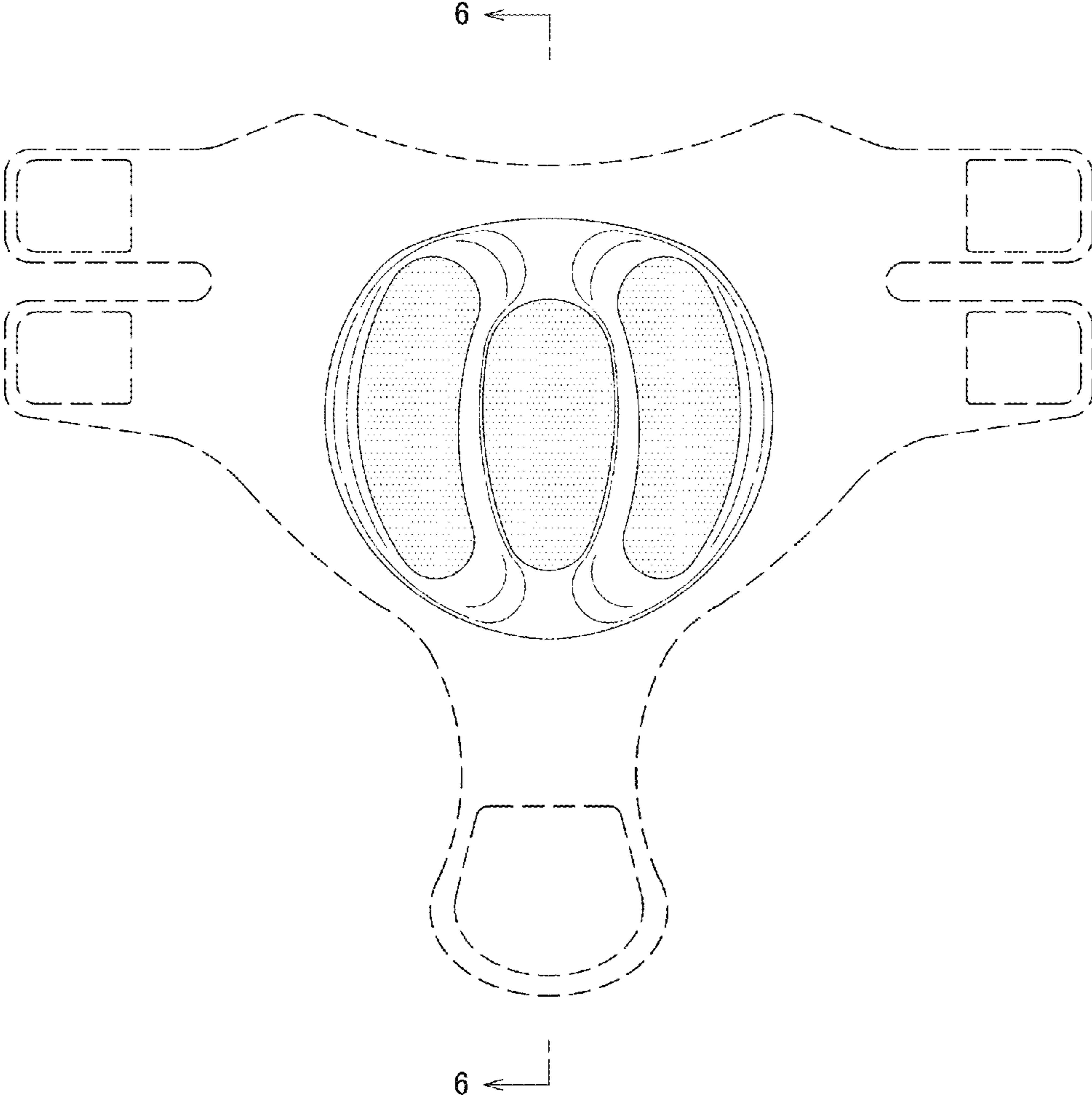


FIG. 2

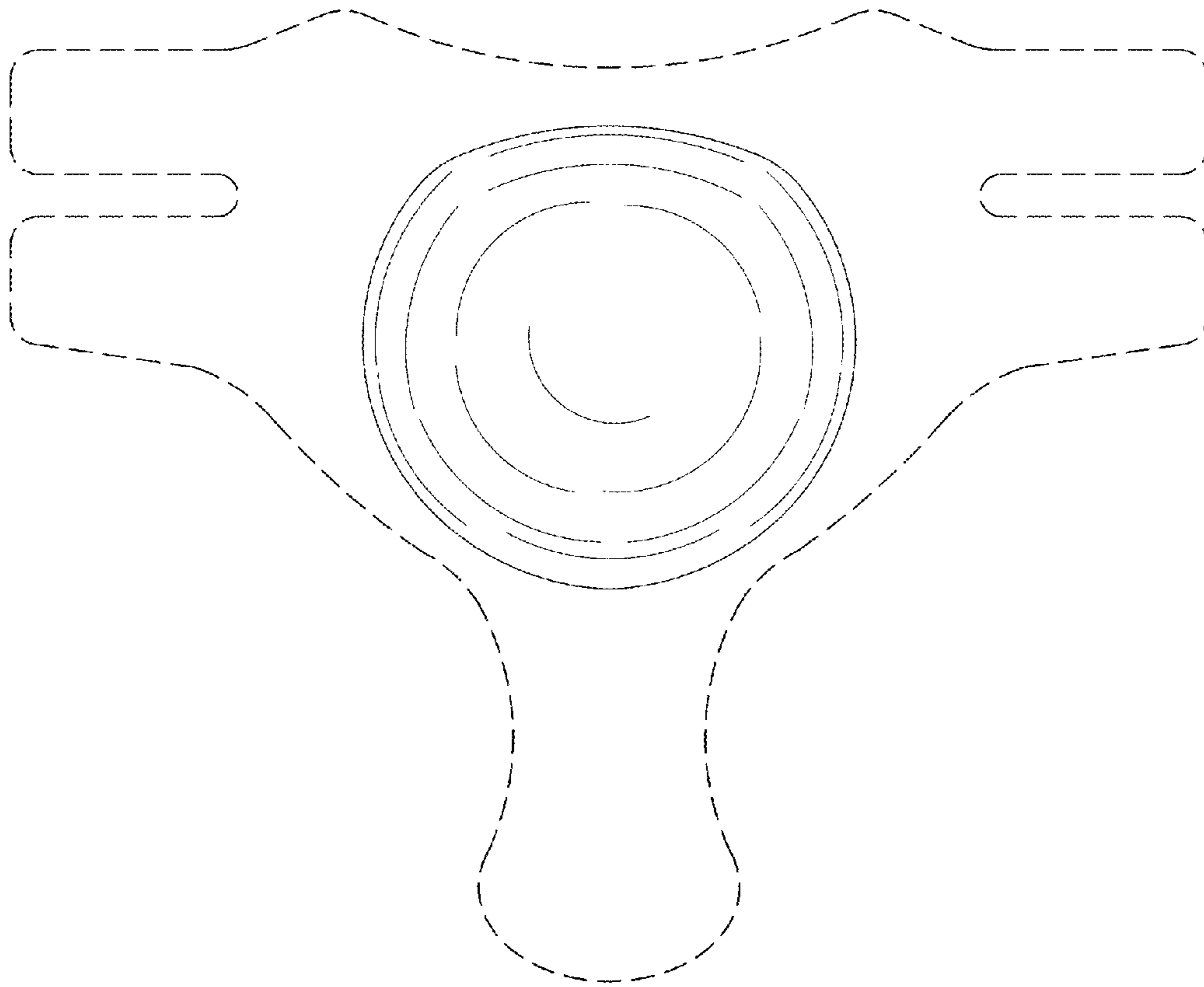


FIG. 3

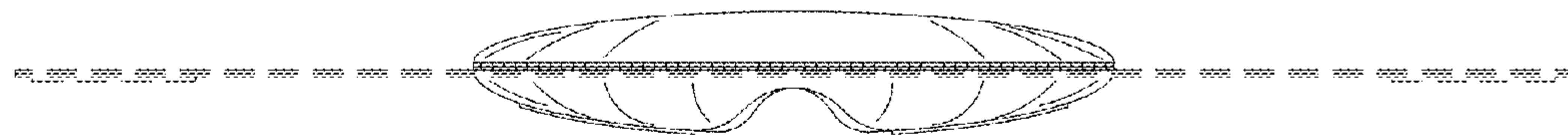


FIG. 4

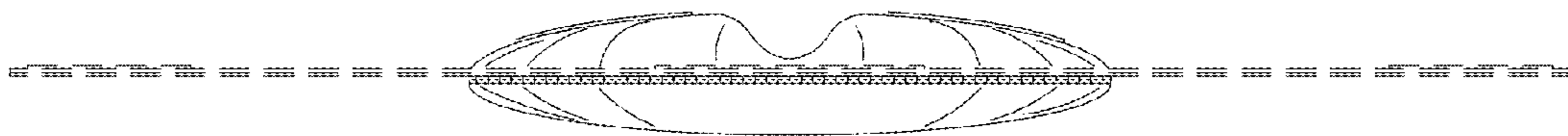


FIG. 5

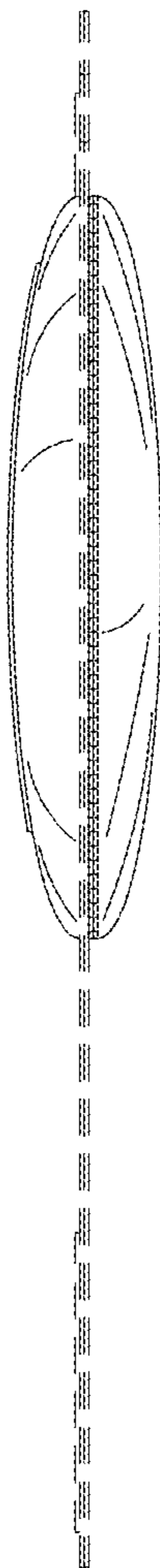


FIG. 6

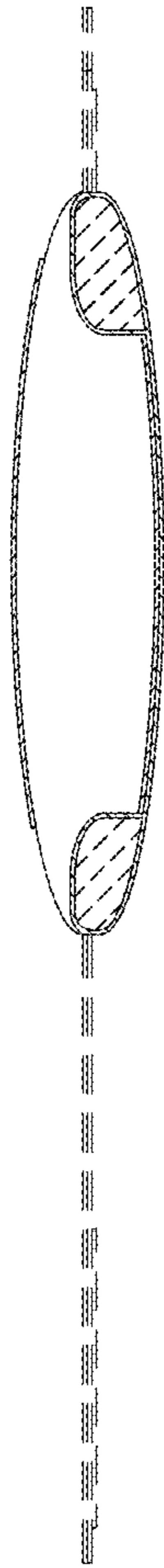


FIG. 7

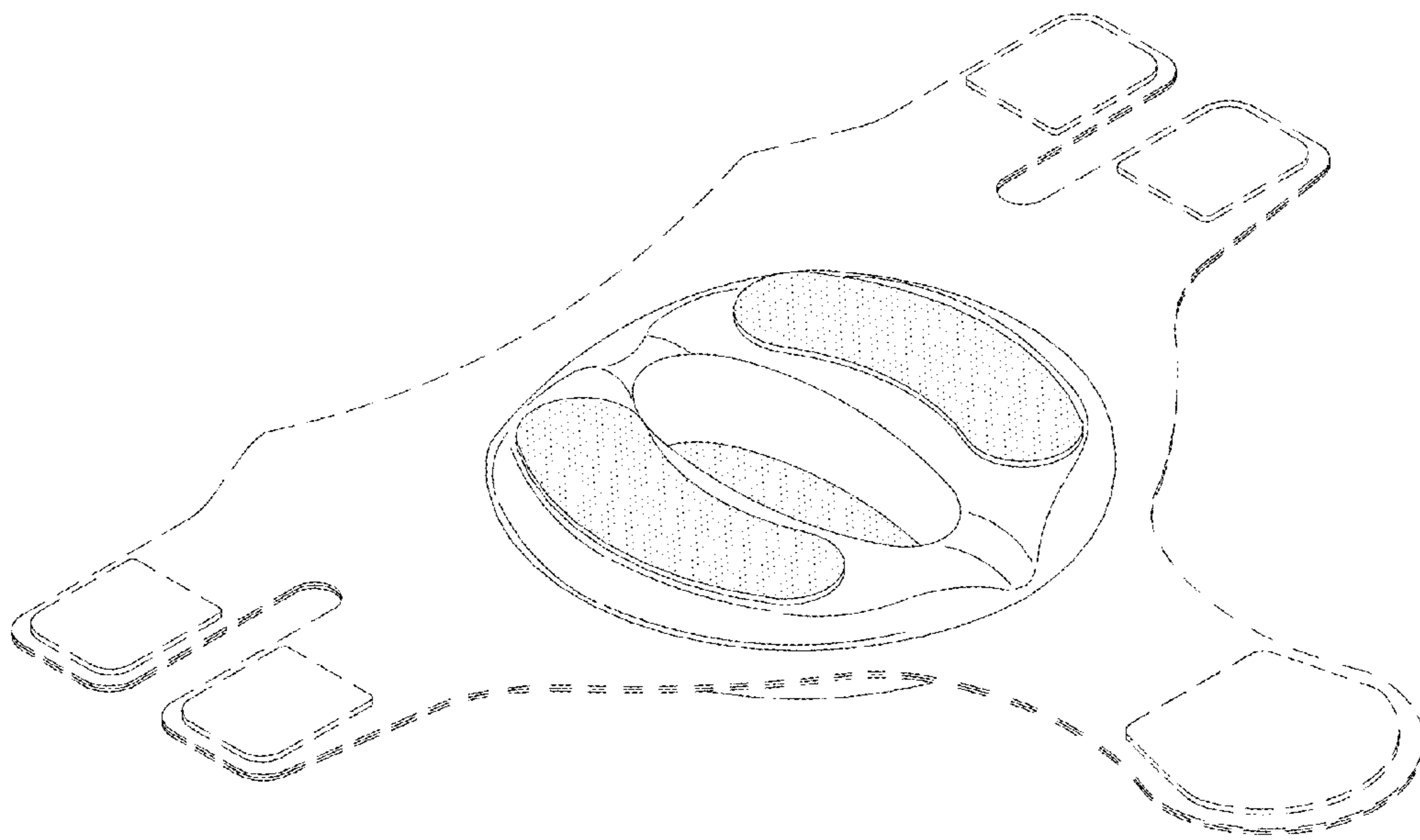




FIG. 8

