



US00D757931S

(12) **United States Design Patent**
Pulie

(10) **Patent No.:** **US D757,931 S**

(45) **Date of Patent:** **** May 31, 2016**

(54) **STRETCHABLE POLYESTER-COTTON BLEND ICE PACK WRAP**

(71) Applicant: **Sherri Lee Pulie**, Easton, CT (US)

(72) Inventor: **Sherri Lee Pulie**, Easton, CT (US)

(**) Term: **14 Years**

(21) Appl. No.: **29/470,851**

(22) Filed: **Oct. 25, 2013**

(51) **LOC (10) Cl.** **24-02**

(52) **U.S. Cl.**
USPC **D24/118**

(58) **Field of Classification Search**
USPC D24/206–208, 189–192; 607/96, 104, 607/108, 109–112, 114; D6/608, 609; 219/528, 529; 128/95.1, 100.1, 101.1, 128/876; 602/1–7, 17–27, 61–66, 74; 606/204, 27; 126/204; 601/15, DIG. 1, 601/DIG. 2, DIG. 15; 604/104; 383/62, 78, 383/81–83, 89; D29/101.2, 101.5, 120.1, D29/121.1; D3/327
CPC A61F 7/103; A61F 2007/0249; A61F 2007/0098

See application file for complete search history.

(56) **References Cited**

U.S. PATENT DOCUMENTS

D213,549	S	*	3/1969	Abbott	D12/401
D281,005	S	*	10/1985	Larsen	D21/694
D328,792	S	*	8/1992	Salmon et al.	D24/207
5,176,134	A	*	1/1993	Hudson	607/114
5,179,944	A	*	1/1993	McSymytz	607/114
5,305,470	A		4/1994	McKay		
5,366,491	A	*	11/1994	Ingram et al.	607/108
5,432,951	A	*	7/1995	Yewer, Jr.	2/44
D368,825	S	*	4/1996	Sanders	D3/289
5,586,969	A	*	12/1996	Yewer, Jr.	602/19
6,168,612	B1	*	1/2001	Augustine et al.	607/107
6,796,996	B2	*	9/2004	Antinoro	607/114
D526,152	S	*	8/2006	Scott	D6/608
D596,439	S	*	7/2009	Hall	D6/608

D632,398	S	*	2/2011	Bray et al.	D24/188
D649,255	S	*	11/2011	Kase	D24/190
D654,180	S	*	2/2012	Weaver, II	D24/190
D657,832	S	*	4/2012	Beber et al.	D21/683
D683,045	S	*	5/2013	Domack	D24/225
D707,988	S	*	7/2014	Brewington	D6/608
D712,045	S	*	8/2014	Thornton	D24/189
D713,534	S	*	9/2014	Manley, Jr.	D24/189
2006/0241534	A1	*	10/2006	Tsai	601/15

(Continued)

OTHER PUBLICATIONS

Amazon.com, Headache hat Wearable Ice Pack, Jan. 5, 2014, http://www.amazon.com/Headache-Hat-Wearable-Pack-size/product-reviews/B00FGWLD6/ref=cm_cr_pr_btm_link_4?ie=UTF8&sortBy=bySubmissionDateDescending&pageNumber=4.*

(Continued)

Primary Examiner — David Muller

Assistant Examiner — Nathan Johnston

(74) *Attorney, Agent, or Firm* — Dunlap, Bennett & Ludwig, PLLC

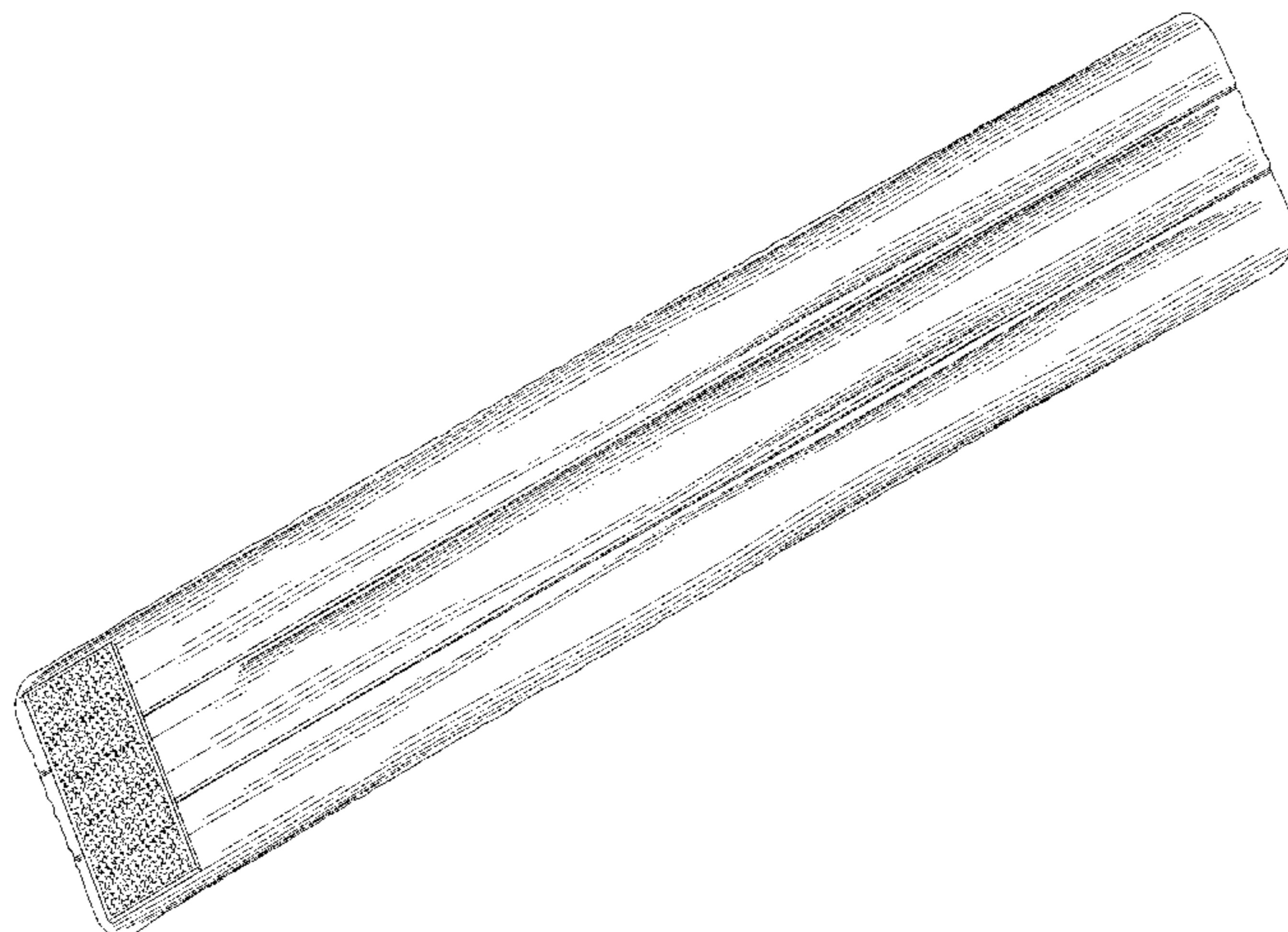
(57) **CLAIM**

The ornamental design for a stretchable polyester-cotton blend ice pack wrap, as shown and described.

DESCRIPTION

FIG. 1 is a perspective front view of the stretchable polyester-cotton blend ice pack wrap;
FIG. 2 is a perspective front view thereof;
FIG. 3 is a front elevation view thereof;
FIG. 4 is a rear elevation view thereof;
FIG. 5 is a left side elevation view thereof;
FIG. 6 is a right side elevation view thereof;
FIG. 7 is a top plan view thereof; and,
FIG. 8 is a bottom plan view thereof.
The broken lines shown in the drawings illustrate portions of the stretchable polyester-cotton blend ice pack wrap that form no part of the claimed design.

1 Claim, 4 Drawing Sheets



(56)

References Cited

OTHER PUBLICATIONS

U.S. PATENT DOCUMENTS

2012/0046720 A1* 2/2012 Ishizaki 607/114
2013/0261712 A1* 10/2013 Ebel et al. 607/112
2014/0074006 A1* 3/2014 Manley, Jr. 602/74

youtube.com, The Headache Hat, Sep. 16, 2013, <https://www.youtube.com/watch?v=Lp-rTGFVINY>.*

* cited by examiner

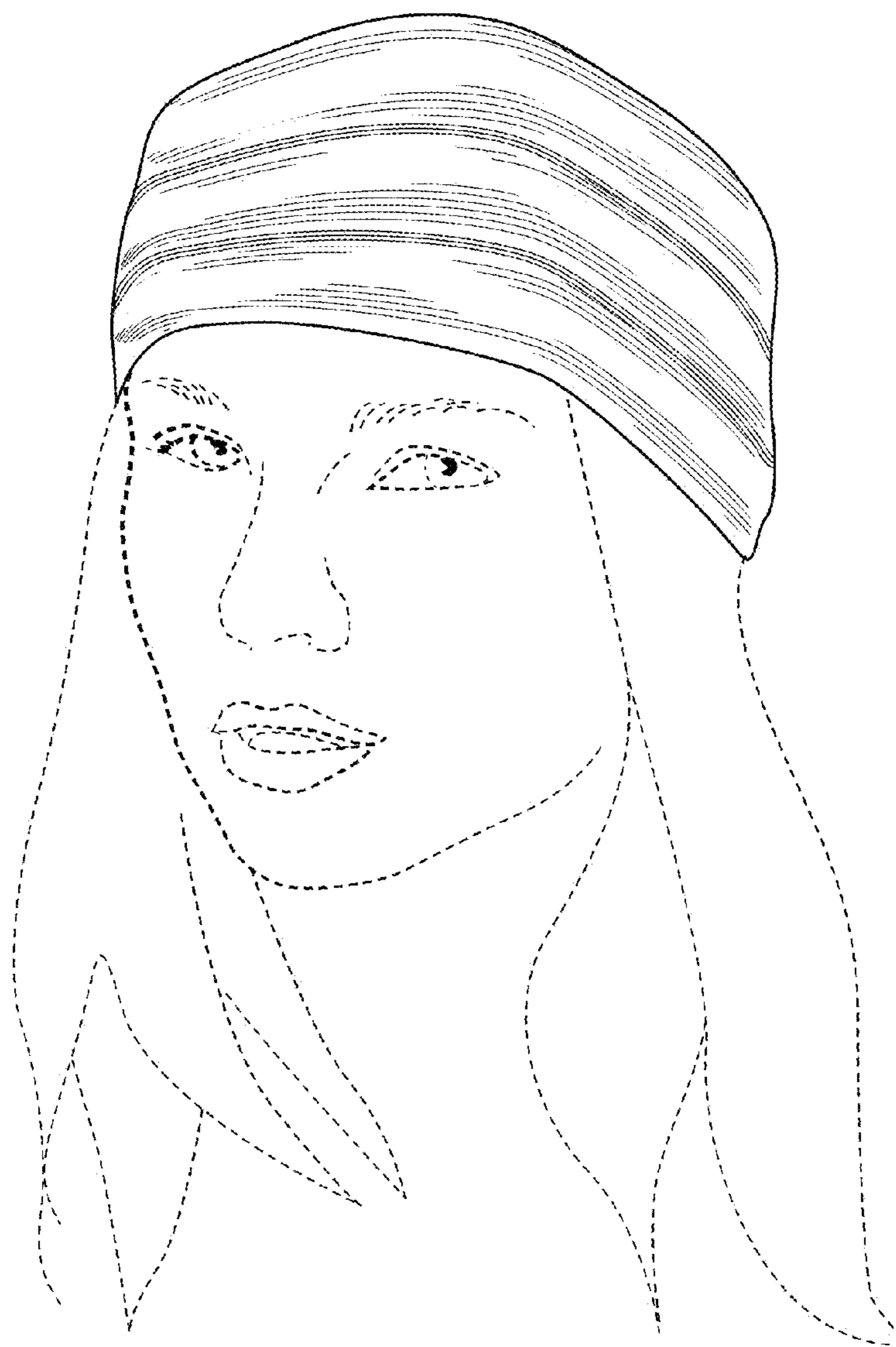


FIG. 1

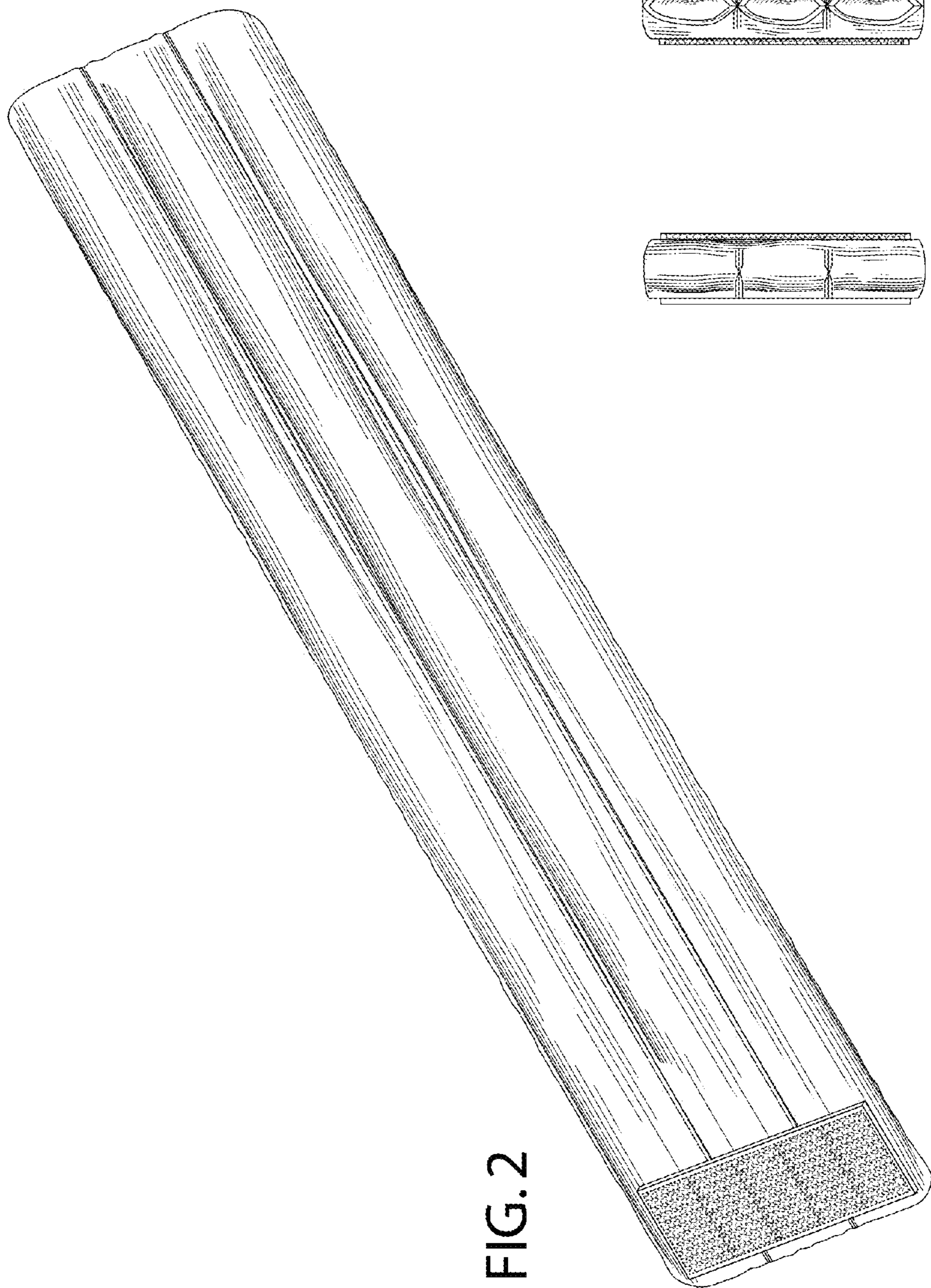


FIG. 2

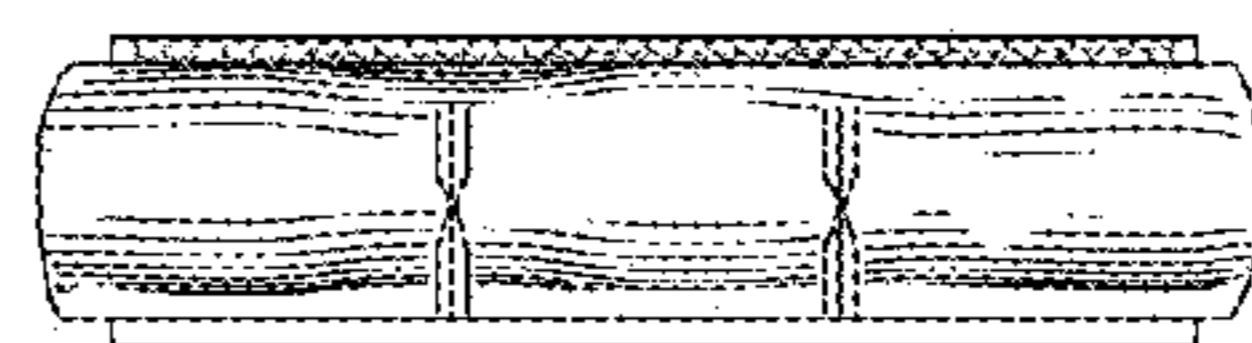


FIG. 5

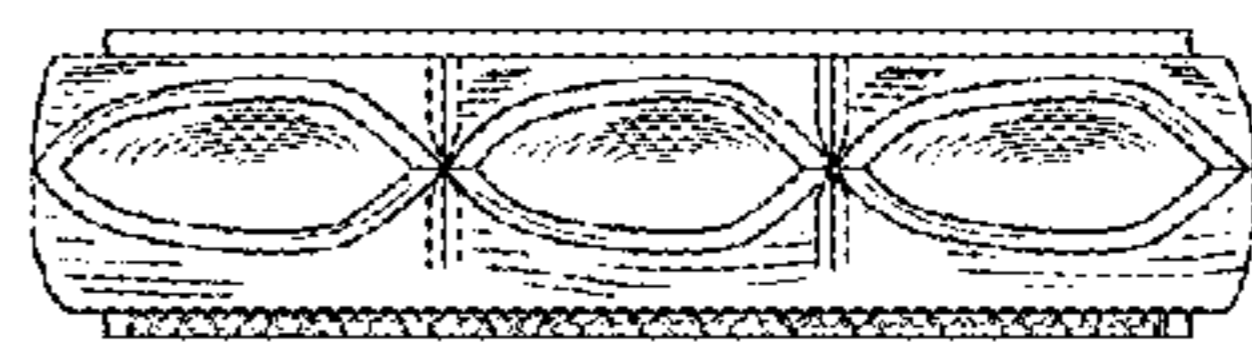


FIG. 6

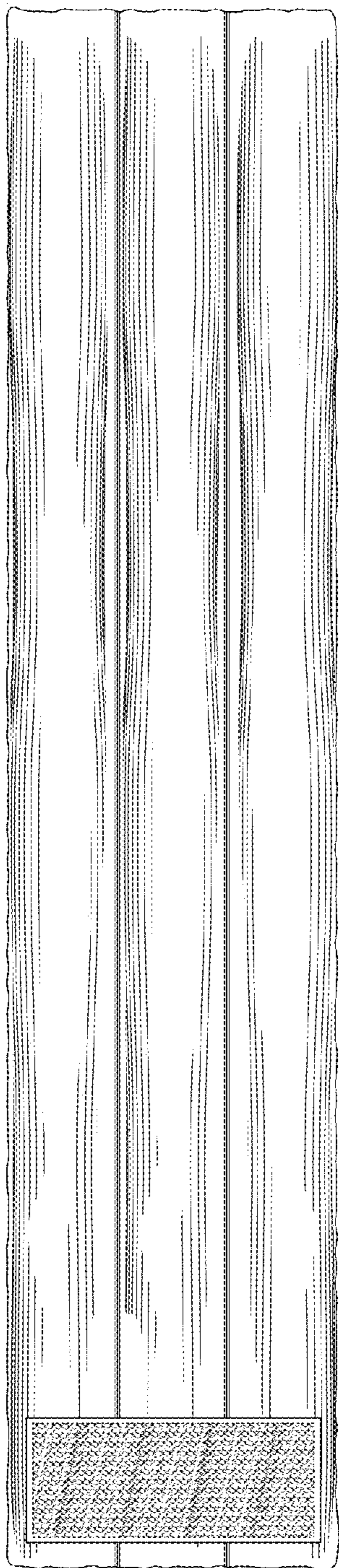


FIG. 3

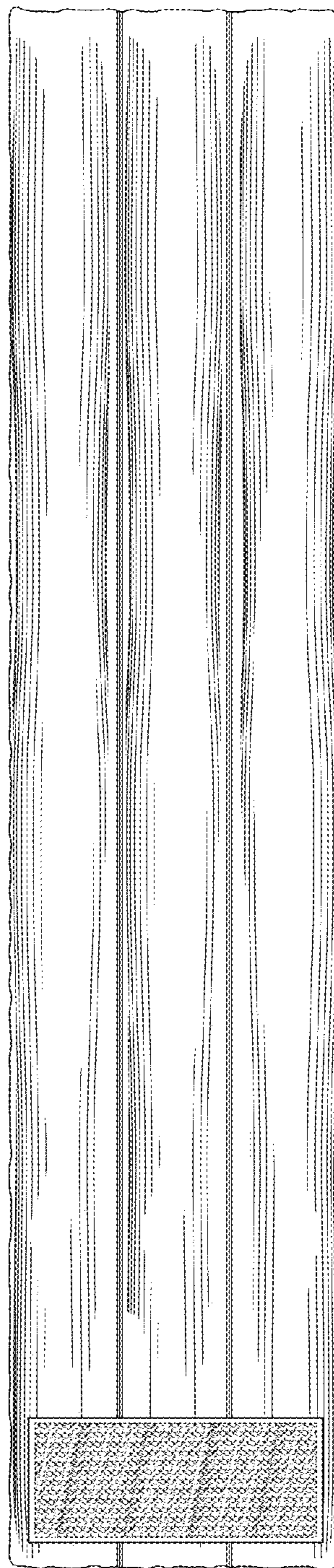


FIG. 4

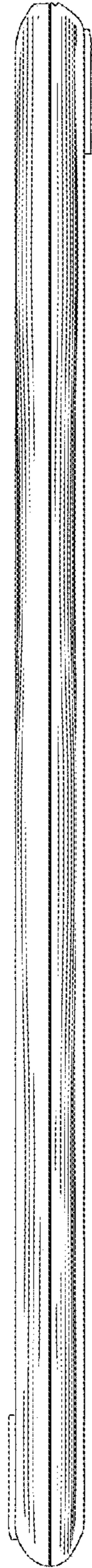


FIG. 8

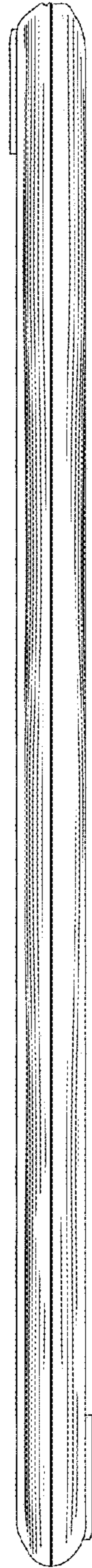


FIG. 7