



US00D757928S

(12) **United States Design Patent**  
**Blomberg et al.**

(10) **Patent No.:** **US D757,928 S**

(45) **Date of Patent:** **\*\* May 31, 2016**

(54) **RESPIRATOR CARTRIDGE BODY**

(71) Applicant: **3M INNOVATIVE PROPERTIES COMPANY**, St. Paul, MN (US)

(72) Inventors: **David M. Blomberg**, Lino Lakes, MN (US); **Gary E. Dwyer**, Mallorytown (CA); **Pierre Legare**, Brockville (CA); **Mark W. Schulz**, Minneapolis, MN (US)

(73) Assignee: **3M Innovative Properties Company**, St. Paul, MN (US)

(\*\*) Term: **14 Years**

(21) Appl. No.: **29/491,531**

(22) Filed: **May 22, 2014**

(51) **LOC (10) Cl.** ..... **29-02**

(52) **U.S. Cl.**  
USPC ..... **D24/110.1**

(58) **Field of Classification Search**  
USPC ..... D24/110, 110.1-110.5, 127, 162;  
D29/108

CPC ..... A62B 23/02; A62B 7/10; A62B 18/025;  
A62B 19/00; A62B 18/08; A62B 18/02;  
A62B 23/00; A62B 18/00; A62B 18/084;  
A41D 13/11; A61M 16/105; A61M 16/047

See application file for complete search history.

(56) **References Cited**

**U.S. PATENT DOCUMENTS**

2,055,853 A	9/1936	Schwartz
2,062,834 A	12/1936	Schwartz
2,235,624 A	3/1941	Schwartz
2,787,333 A	4/1957	Boone
4,562,837 A	1/1986	Schlobohm
D286,213 S	10/1986	Maryyanek
4,921,512 A	5/1990	Maryyanek
4,932,399 A	6/1990	Cappa
5,062,421 A	11/1991	Burns

5,086,768 A	2/1992	Niemeyer
5,148,803 A	9/1992	Schlobohm
D339,658 S	9/1993	Lahteenmaki
RE35,062 E	10/1995	Brostrom
5,515,846 A	5/1996	Drews
5,579,761 A	12/1996	Yuschak
5,611,925 A	3/1997	Yasue
5,647,356 A	7/1997	Osendorf

(Continued)

**FOREIGN PATENT DOCUMENTS**

CA	82141	10/1997
CA	106801	12/2005

(Continued)

**OTHER PUBLICATIONS**

Koken Particulate Respirators webpage, <http://www.koken-ltd.co.jp/english/particulatesrespirators.htm>, obtained from internet on Jun. 3, 2013.

*Primary Examiner* — Deanna L Pratt

*Assistant Examiner* — Lilyana Bekic

(74) *Attorney, Agent, or Firm* — Peter L. Olson

(57) **CLAIM**

The ornamental design for a respirator cartridge body, as shown and described.

**DESCRIPTION**

FIG. 1 is a perspective view showing the new design for a respirator cartridge body.

FIG. 2 is a front view thereof;

FIG. 3 is a rear view thereof;

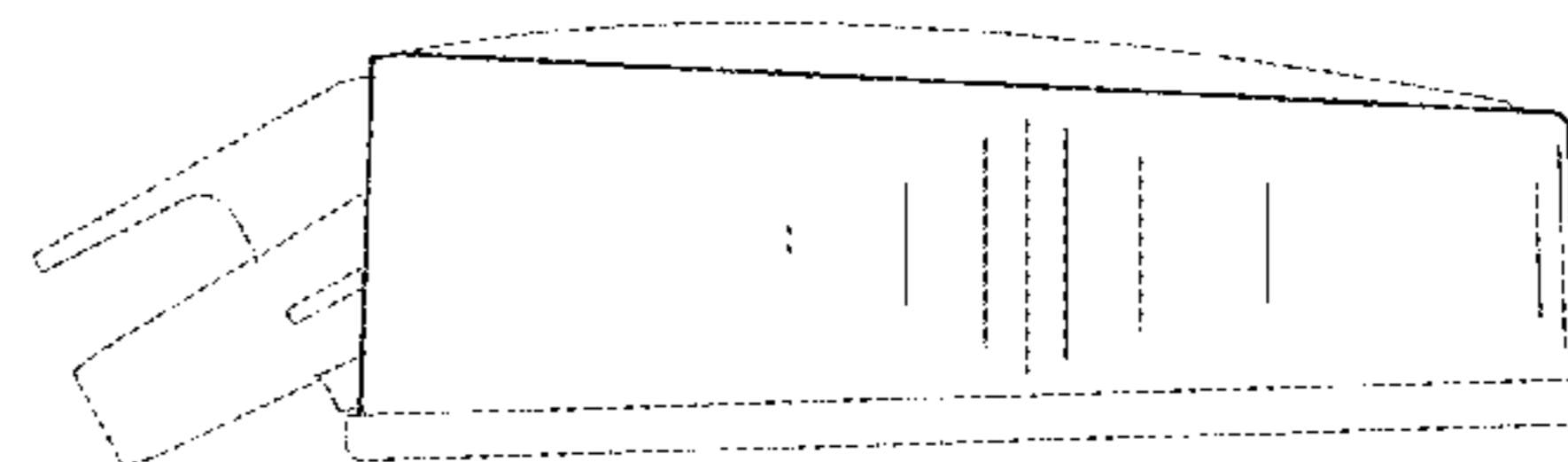
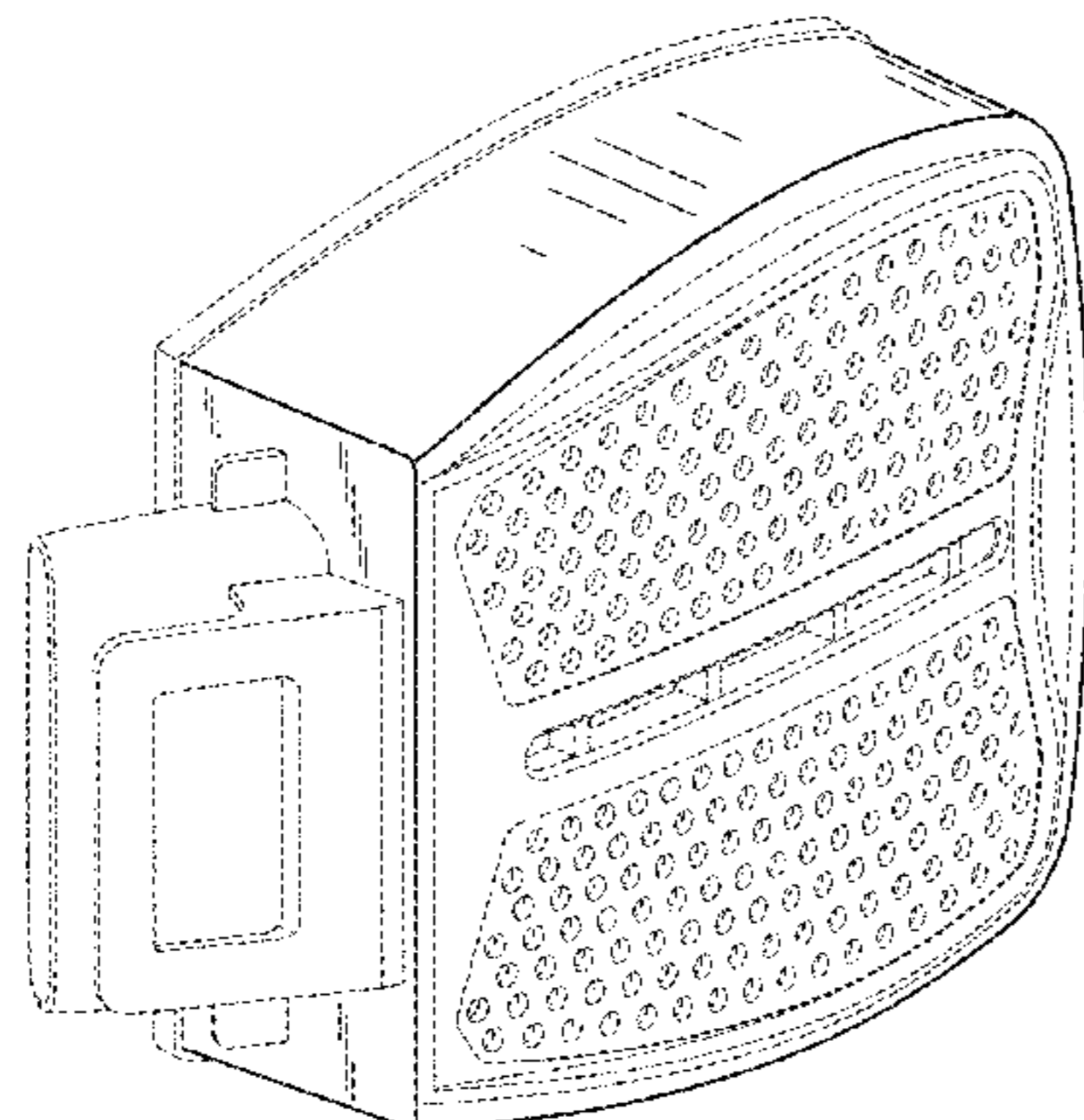
FIG. 4 is a top view thereof, the bottom being a mirror image thereof;

FIG. 5 is a left side view thereof; and,

FIG. 6 is a right side view thereof.

The broken lines in the drawings illustrate portions of the respirator cartridge body which form no part of the claimed design.

**1 Claim, 3 Drawing Sheets**



(56)

References Cited

U.S. PATENT DOCUMENTS

5,666,949 A 9/1997 Debe  
 5,669,375 A 9/1997 Dahrendorf  
 5,689,833 A \* 11/1997 Allen ..... A62B 18/084  
 128/201.15  
 5,794,617 A \* 8/1998 Brunell ..... A62B 18/084  
 128/206.12  
 6,176,239 B1 \* 1/2001 Grove ..... A62B 18/02  
 128/201.15  
 6,216,693 B1 4/2001 Rekow  
 6,298,849 B1 10/2001 Scholey  
 6,550,479 B1 4/2003 Duxbury  
 6,575,165 B1 6/2003 Cook  
 6,761,169 B2 7/2004 Eswarappa  
 6,793,702 B2 9/2004 Eswarappa  
 6,874,499 B2 \* 4/2005 Viner ..... A62B 23/02  
 128/201.25  
 D518,571 S 4/2006 Martin  
 7,419,526 B2 9/2008 Greer  
 7,594,510 B2 \* 9/2009 Betz ..... A62B 18/082  
 128/205.25  
 7,849,856 B2 \* 12/2010 Mittelstadt ..... F16K 15/16  
 128/205.15  
 D677,780 S 3/2013 Choi  
 D677,781 S 3/2013 Choi  
 D678,508 S 3/2013 Choi  
 D683,446 S 5/2013 Eves  
 8,460,423 B2 \* 6/2013 Legare ..... A62B 7/10  
 128/205.27  
 D696,396 S 12/2013 Eves  
 8,820,326 B2 \* 9/2014 Flannigan ..... A62B 18/025  
 128/206.12  
 8,984,753 B2 \* 3/2015 Billingsley ..... A62B 19/00  
 29/458  
 2001/0013347 A1 8/2001 Rekow  
 2002/0069762 A1 \* 6/2002 Estkowski ..... A62B 23/02  
 96/135  
 2002/0092522 A1 \* 7/2002 Fabin ..... A62B 17/04  
 128/201.23  
 2002/0195108 A1 \* 12/2002 Mittelstadt ..... A61M 16/06  
 128/206.15  
 2002/0195109 A1 12/2002 Mittelstadt  
 2003/0217752 A1 11/2003 Muller  
 2004/0003810 A1 1/2004 Templeton  
 2004/0055604 A1 \* 3/2004 Viner ..... A62B 23/02  
 128/206.16  
 2005/0109343 A1 \* 5/2005 Flannigan ..... B29C 45/1676  
 128/206.17  
 2005/0126572 A1 6/2005 Gosweiler  
 2005/0145249 A1 \* 7/2005 Solyntjes ..... A62B 23/02  
 128/205.25  
 2006/0254427 A1 \* 11/2006 Trend ..... D04H 1/565  
 96/154  
 2007/0235031 A1 \* 10/2007 Betz ..... A62B 18/082  
 128/206.21  
 2007/0235032 A1 \* 10/2007 Betz ..... A62B 18/082  
 128/206.24  
 2009/0215618 A1 \* 8/2009 Fansler ..... C08K 5/17  
 502/402  
 2010/0206311 A1 \* 8/2010 Flannigan ..... A62B 18/025  
 128/207.12  
 2010/0218761 A1 \* 9/2010 Flannigan ..... A62B 18/025  
 128/201.19  
 2010/0294272 A1 \* 11/2010 Holmquist-Brown A62B 18/088  
 128/202.22  
 2010/0294273 A1 \* 11/2010 Rakow ..... A62B 18/088  
 128/202.22  
 2010/0294274 A1 \* 11/2010 Poirier ..... A62B 18/088  
 128/202.22  
 2011/0094514 A1 \* 4/2011 Rakow ..... A62B 18/088  
 128/206.12  
 2011/0283505 A1 \* 11/2011 Billingsley ..... A62B 19/00  
 29/428  
 2011/0284006 A1 \* 11/2011 Legare ..... A62B 7/10  
 128/205.27

2012/0000465 A1 1/2012 Cavaliere  
 2012/0024289 A1 2/2012 Johnstone  
 2012/0174922 A1 7/2012 Virr  
 2013/0125896 A1 \* 5/2013 Dwyer ..... A62B 18/02  
 128/206.17  
 2014/0034049 A1 \* 2/2014 Castiglione ..... A62B 9/04  
 128/202.27  
 2014/0216447 A1 \* 8/2014 Kihlberg ..... A62B 18/08  
 128/201.19  
 2014/0216448 A1 \* 8/2014 Kihlberg ..... A62B 18/08  
 128/201.19  
 2014/0216473 A1 \* 8/2014 Dwyer ..... A62B 18/10  
 128/863  
 2014/0216474 A1 \* 8/2014 Mittelstadt ..... A62B 27/00  
 128/863  
 2014/0216475 A1 \* 8/2014 Blomberg ..... A62B 9/04  
 128/863  
 2014/0251327 A1 \* 9/2014 Mittelstadt ..... A62B 27/00  
 128/202.22  
 2015/0136141 A1 \* 5/2015 Mittelstadt ..... A62B 18/025  
 128/206.15  
 2015/0136142 A1 \* 5/2015 Blomberg ..... A62B 7/10  
 128/206.17

FOREIGN PATENT DOCUMENTS

CN 3342471 12/2003  
 CN 3457902 6/2005  
 CN 3674586 7/2007  
 CN 300757753 3/2008  
 CN 300801845 7/2008  
 CN 301345091 9/2010  
 CN 301787238 1/2012  
 CN 301841897 2/2012  
 CN 301863214 3/2012  
 CN 302193139 11/2012  
 CN 302193145 11/2012  
 CN 302386273 4/2013  
 CN 302571626 9/2013  
 CN 302675143 12/2013  
 CN 302754689 3/2014  
 DE M9107635-0001 6/1992  
 EM 000096961-0001 2/2004  
 EM 001677774-0001 5/2010  
 EM 001677774-0002 5/2010  
 EM 001233373-0002 10/2010  
 EM 001233373-0003 10/2010  
 EM 001871401-0001 8/2011  
 EM 001871401-0003 8/2011  
 EM 001871401-0004 8/2011  
 EM 001871401-0005 8/2011  
 EM 001352645-0001 12/2012  
 EM 001352645-0002 12/2012  
 EM 001355259-0001 1/2013  
 EM 001355259-0002 1/2013  
 EM 001378673-0001 8/2013  
 EM 001401335-0001 1/2014  
 EM 001401335-0002 1/2014  
 EM 001401335-0003 1/2014  
 EM 001401335-0004 1/2014  
 EM 001401335-0005 1/2014  
 EM 001401335-0006 1/2014  
 EM 001405609-0001 3/2014  
 EM 001405609-0002 3/2014  
 EM 001405609-0003 3/2014  
 EM 001405609-0004 3/2014  
 FR 916655-001 12/1991  
 FR 972590-001 9/1997  
 GB 2078022 2/1999  
 JP D1253605 10/2005  
 JP D1334600 6/2008  
 JP D1423131 9/2011  
 JP D1424448 10/2011  
 JP D1433068 2/2012  
 JP D1489843 2/2014  
 KR 300365183.0000 10/2004  
 KR 300387985.0000 7/2005  
 KR 300402015.0000 12/2005  
 KR 10-0773460 11/2007

(56)

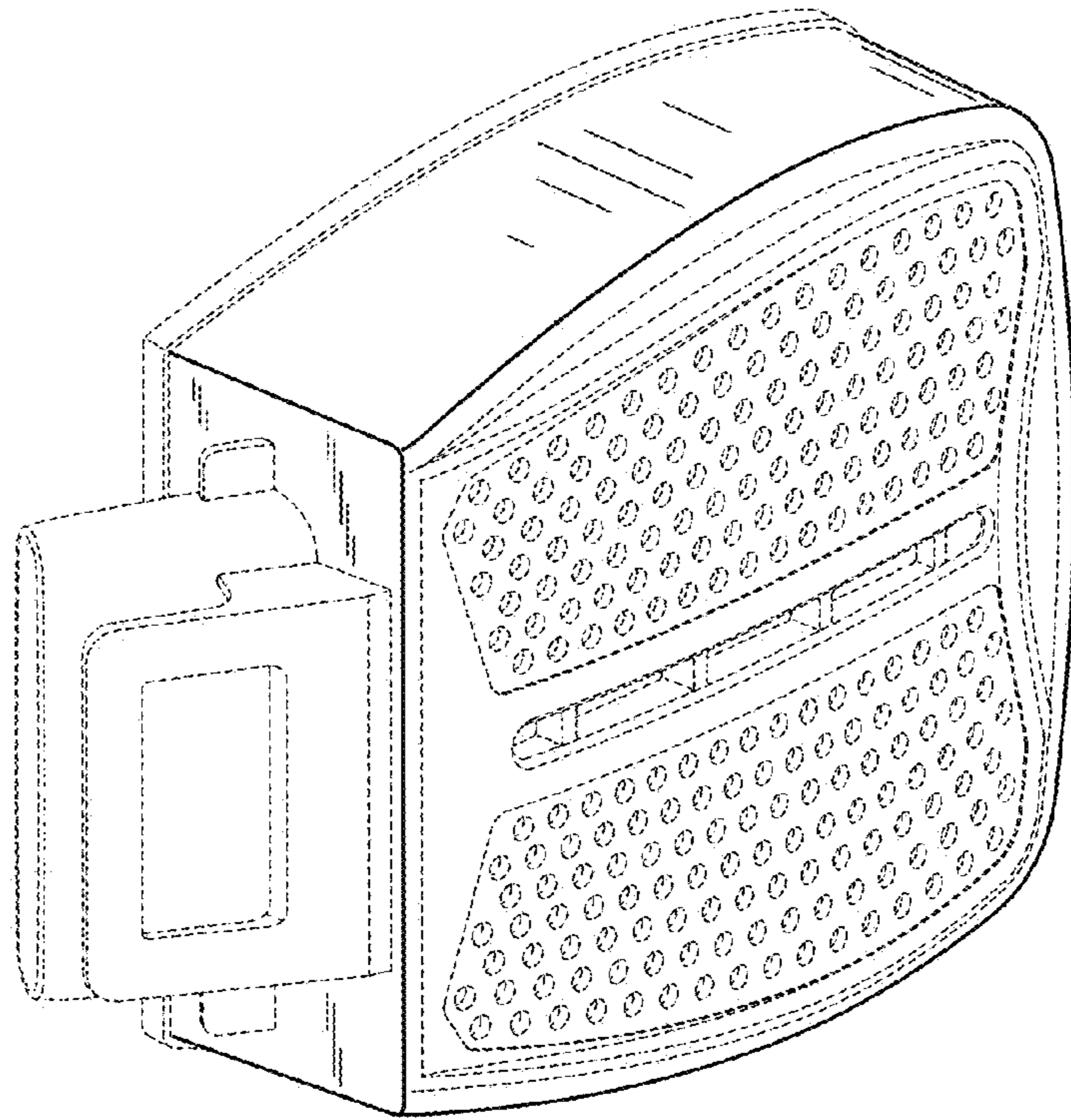
**References Cited**

FOREIGN PATENT DOCUMENTS

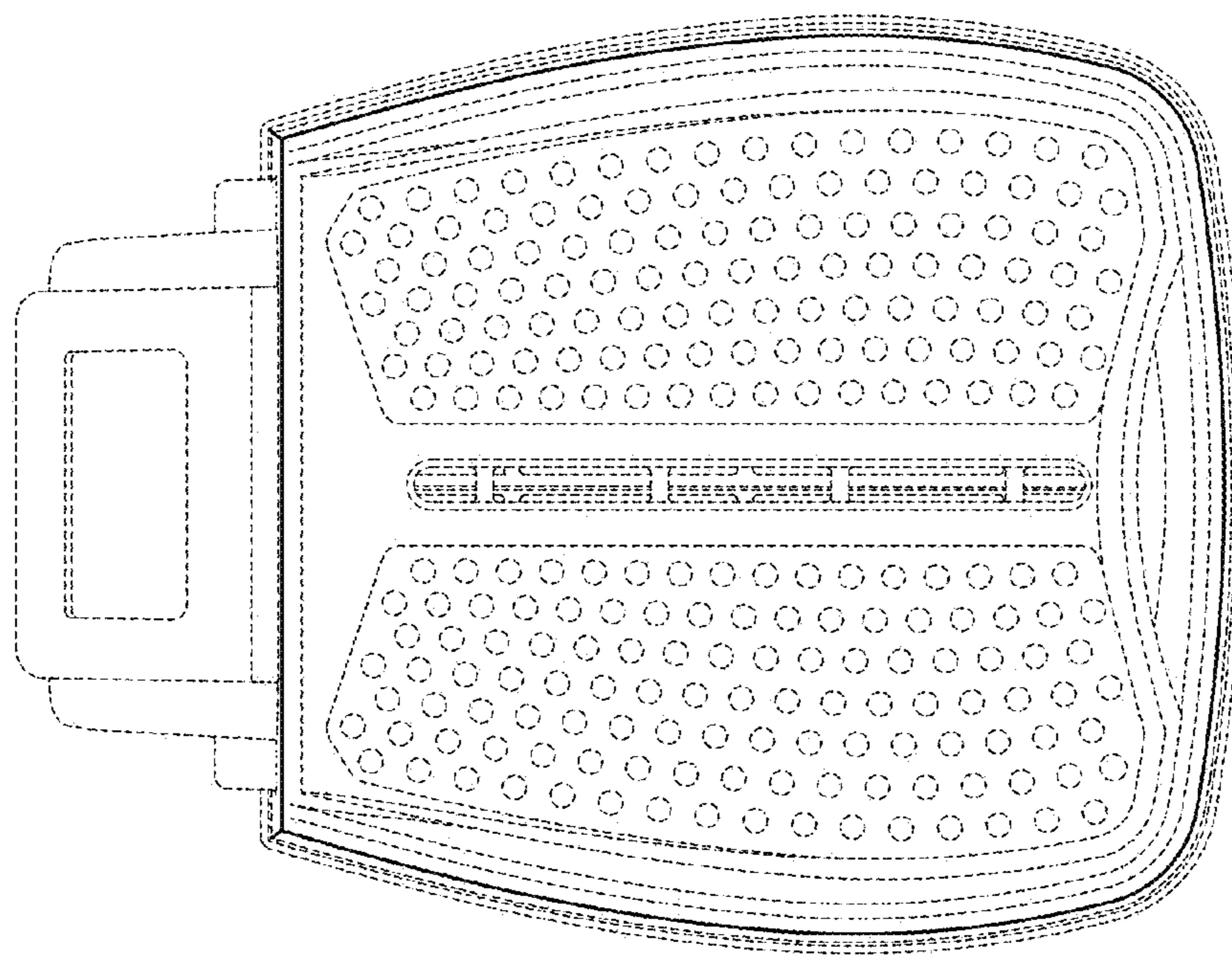
KR	300484303.0000	3/2008
KR	300497704.0000	7/2008
KR	300505691.0000	9/2008
KR	300514863.0000	12/2008
KR	300516185.0000	1/2009
KR	300526158.0000	4/2009
KR	300542031.0000	10/2009
KR	300563142.0000	6/2010
KR	300649412.0000	6/2012

KR	300649413.0000	6/2012
KR	300662871.0000	10/2012
KR	300683043.0000	3/2013
KR	300683052.0000	3/2013
KR	300683069.0000	3/2013
KR	300684091.0000	3/2013
KR	300726258.0000	1/2014
KR	300726303.0000	1/2014
RU	00063184	6/2007
WO	03/090873	11/2003
WO	2008/082415	7/2008

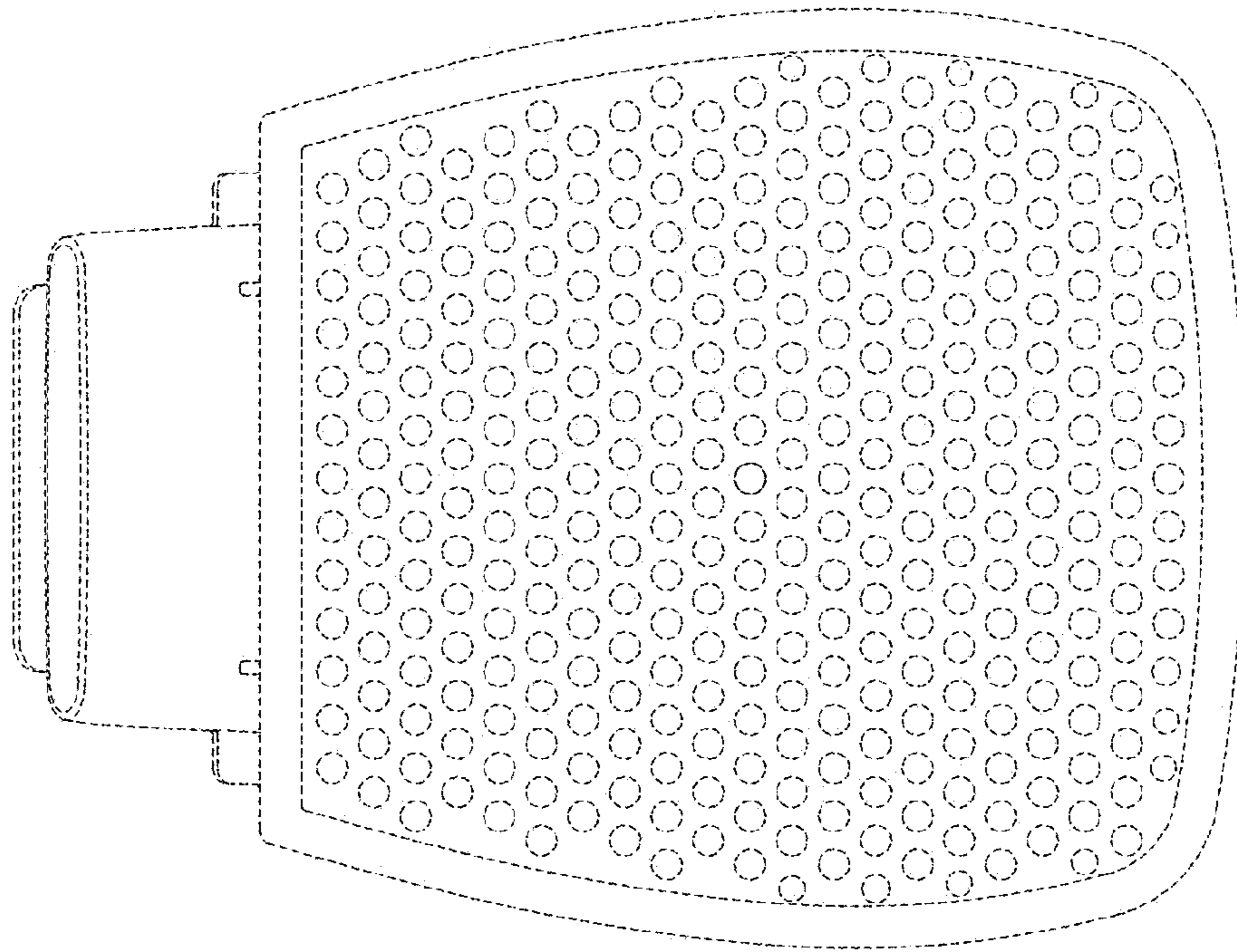
\* cited by examiner



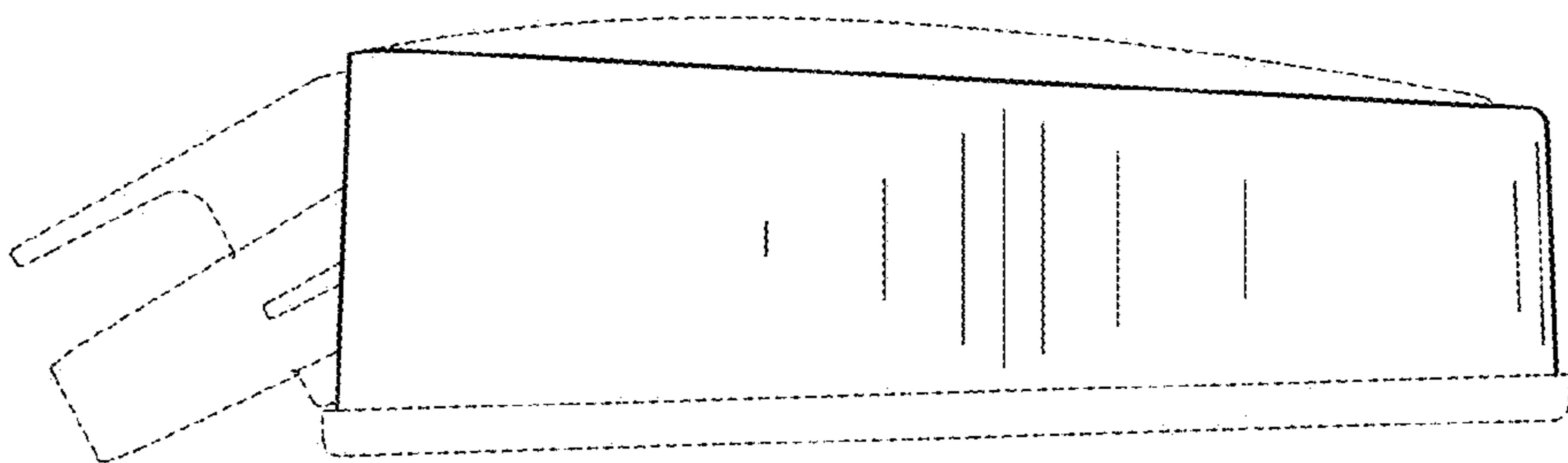
*FIG. 1*



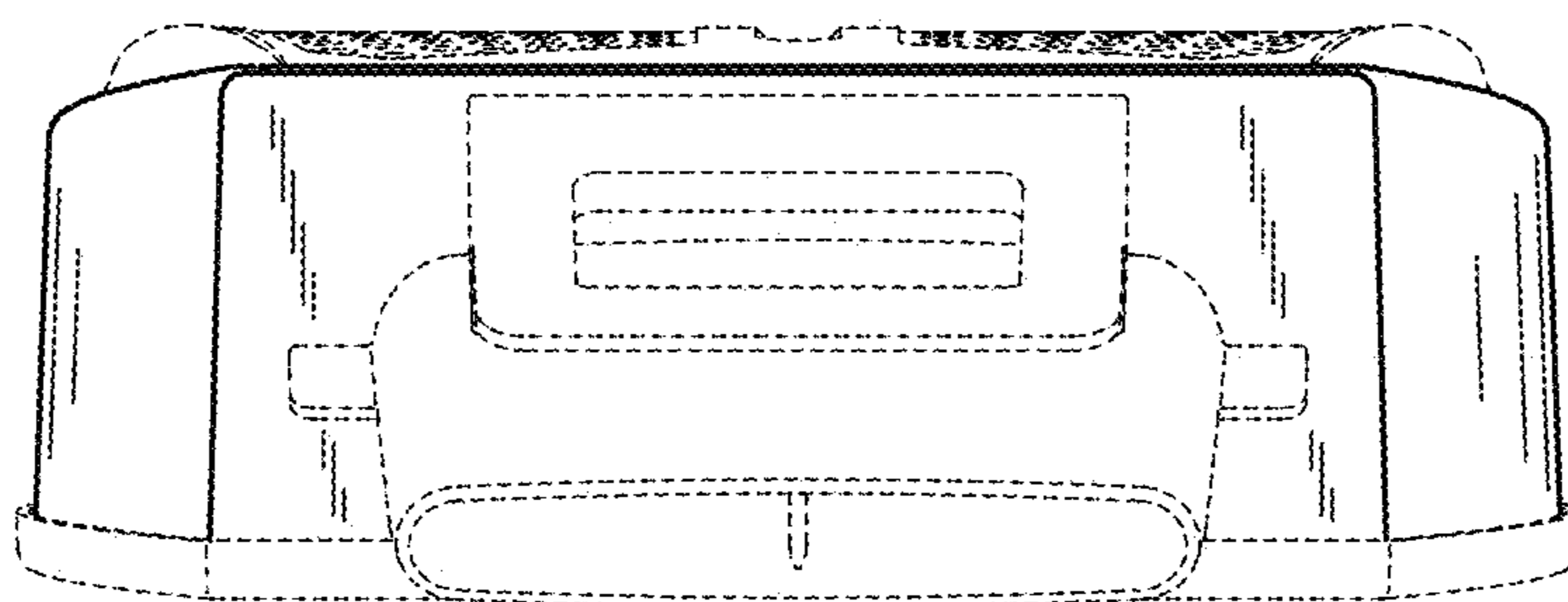
*FIG. 2*



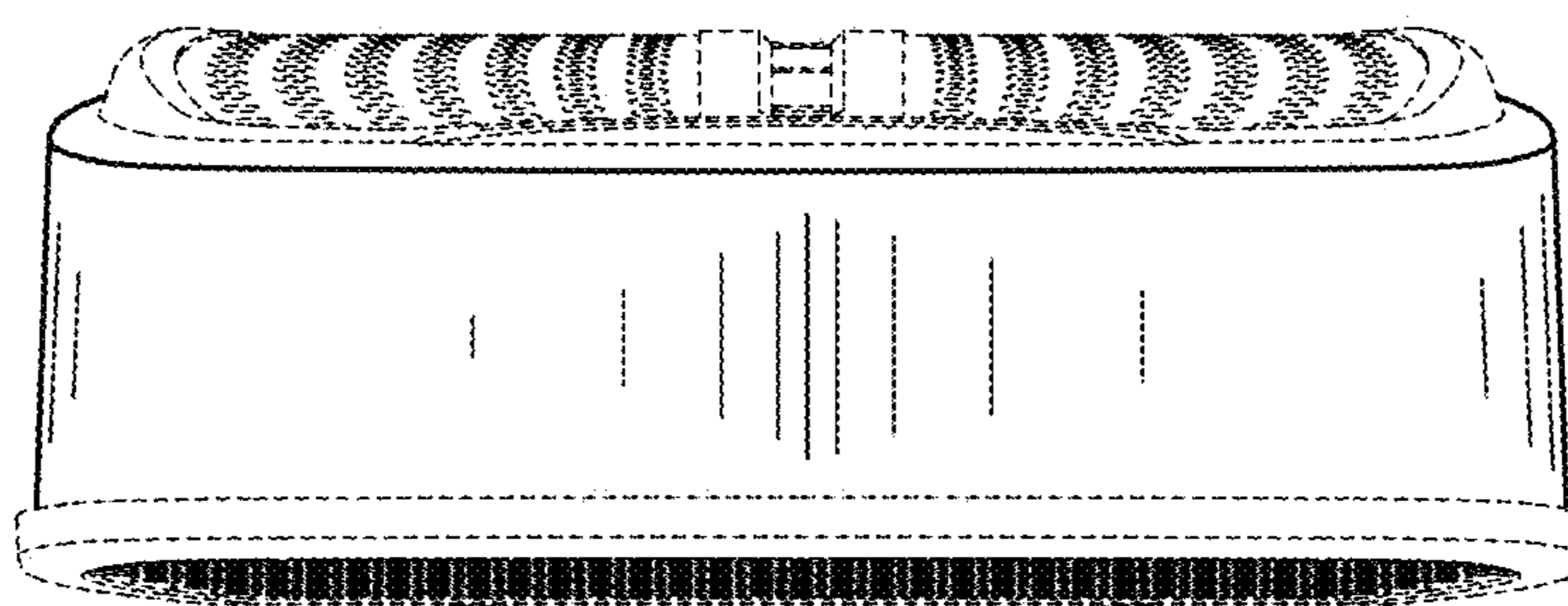
*FIG. 3*



*FIG. 4*



*FIG. 5*



*FIG. 6*