



US00D757925S

(12) **United States Design Patent**
Hamer et al.

(10) **Patent No.:** **US D757,925 S**
(45) **Date of Patent:** **** May 31, 2016**

(54) **EARPLUG TIP**

(71) Applicant: **3M INNOVATIVE PROPERTIES COMPANY**, St. Paul, MN (US)

(72) Inventors: **Jeffrey L. Hamer**, Springville, IN (US);
Kenneth F. Teeters, Zionsville, IN (US);
Ravi Thomas, Avon, IN (US)

(73) Assignee: **3M Innovative Properties Company**,
St. Paul, MN (US)

(**) Term: **14 Years**

(21) Appl. No.: **29/491,291**

(22) Filed: **May 20, 2014**

(51) **LOC (10) Cl.** **24-04**

(52) **U.S. Cl.**
USPC **D24/106**

(58) **Field of Classification Search**
USPC D24/106, 173, 174; D14/205, 206, 223;
D29/112

CPC A61F 11/08; A61F 2011/085
See application file for complete search history.

(56) **References Cited**

U.S. PATENT DOCUMENTS

3,342,181	A *	9/1967	Jacquignon	604/288
4,055,233	A *	10/1977	Huntress	181/135
D307,325	S	4/1990	Gardner, Jr.	
D307,635	S	5/1990	Gardner, Jr.	
D307,636	S	5/1990	Gardner, Jr.	
D330,761	S	11/1992	Falco	
D371,193	S	6/1996	Myers	
5,609,164	A *	3/1997	Dyrud et al.	128/864
D402,752	S	12/1998	Falco	
D449,592	S *	10/2001	Koss et al.	D14/223
D466,995	S	12/2002	Knauer	
D471,625	S	3/2003	Falco	
D478,658	S	8/2003	Falco	
D481,118	S	10/2003	Doty	

D492,765	S	7/2004	Falco	
D492,766	S	7/2004	Falco	
D493,219	S	7/2004	Falco	
D524,937	S	7/2006	Doty	
D524,938	S	7/2006	Schreiber	
D528,204	S	9/2006	Doty	
D536,089	S	1/2007	Magidson	
7,264,081	B2	9/2007	Bruck	
7,314,047	B2	1/2008	Falco	
D583,927	S *	12/2008	Benner	D24/106
7,464,786	B2	12/2008	Falco	

(Continued)

FOREIGN PATENT DOCUMENTS

AU	350866	9/2013
CN	301446540	1/2011

(Continued)

Primary Examiner — Richelle G Shelton

(74) *Attorney, Agent, or Firm* — Peter L. Olson

(57) **CLAIM**

The ornamental design for an earplug tip, as shown and described.

DESCRIPTION

FIG. 1 is a perspective view of the new design for an earplug tip.

FIG. 2 is a front view thereof, the rear view, left view and right view being mirror images thereof;

FIG. 3 is a top view thereof;

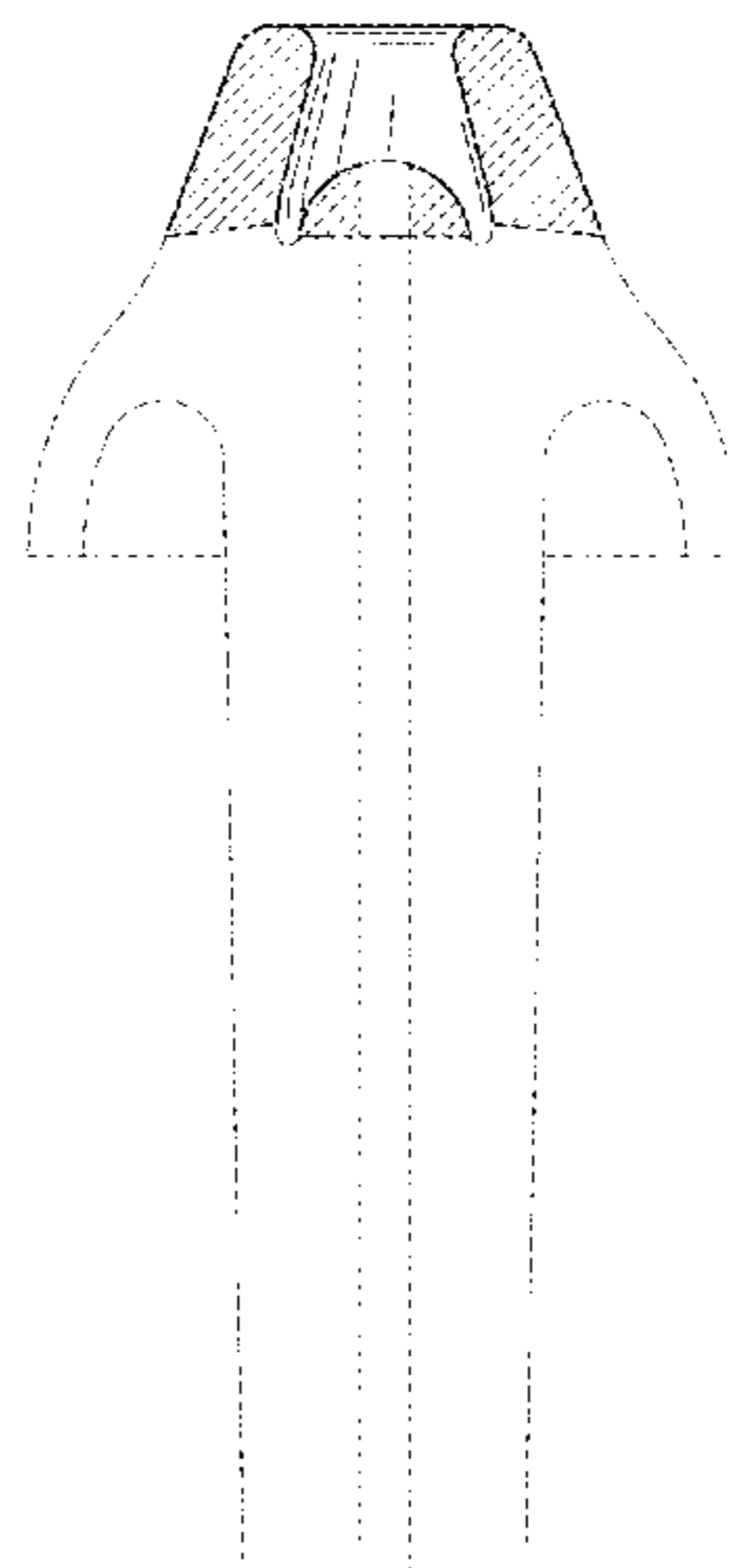
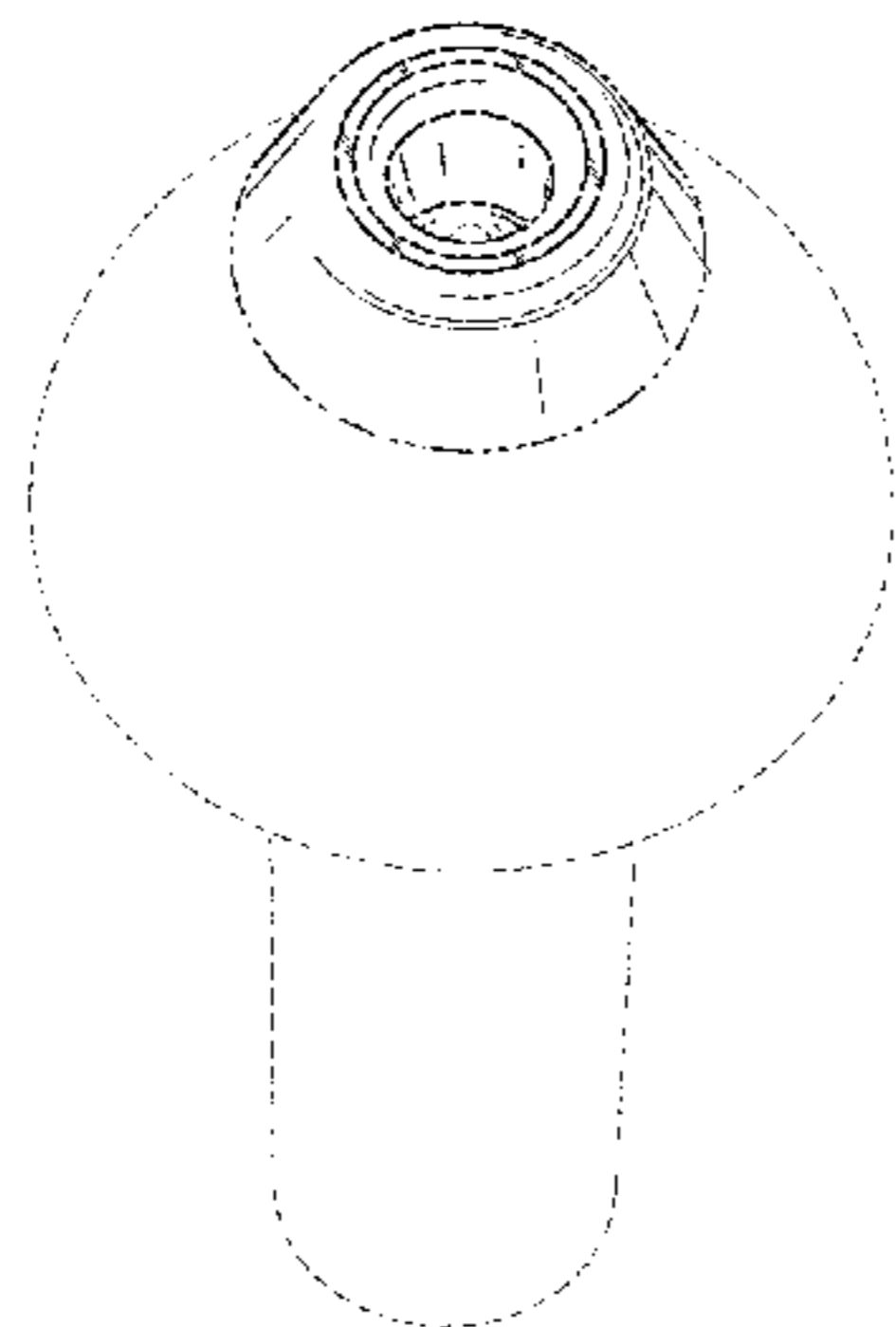
FIG. 4 is a bottom view thereof; and,

FIG. 5 is a cross-sectional view taken at line 5-5 of FIG. 3.

The long and short dashed broken line shown represents the bounds of the claimed design while all other broken lines are included for the purpose of illustrating environmental structure.

The broken lines and the unshaded surfaces within form no part of the claimed design. Any shading is provided to illustrate contour only and is not an indication of surface texture.

1 Claim, 2 Drawing Sheets



(56)

References Cited

U.S. PATENT DOCUMENTS

7,537,011 B2 5/2009 Falco
 D595,837 S * 7/2009 Benner D24/106
 D599,907 S * 9/2009 Mulvey et al. D24/174
 D606,648 S 12/2009 Benner
 D636,484 S 4/2011 Tiemens
 8,061,472 B2 11/2011 Tiemens
 D651,302 S 12/2011 Falco
 D654,163 S 2/2012 Tiemens
 8,113,207 B2 2/2012 Gehling
 D698,023 S * 1/2014 Iseberg et al. D24/174
 D721,678 S * 1/2015 Thomas D14/223
 2010/0307514 A1 12/2010 Berg
 2014/0230830 A1 * 8/2014 Hamer et al. 128/867

FOREIGN PATENT DOCUMENTS

EM 000117510-0002 3/2003

EM 000068796-0001 11/2003
 EM 000252424-0001 2/2005
 EM 000252424-0002 2/2005
 EM 000252424-0003 2/2005
 EM 000568217-0001 9/2006
 EM 001097497-0002 3/2009
 EM 001097497-0003 3/2009
 EM 001097505-0002 4/2009
 EM 001211056-0001 7/2010
 EM 001211056-0002 7/2010
 EM 001211056-0003 7/2010
 EM 002291005-0001 11/2013
 GB 1050275 11/1988
 GB 2043262 3/1995
 GB 2045159 3/1995
 GB 4014253 2/2010
 JP 1405724 12/2010

* cited by examiner

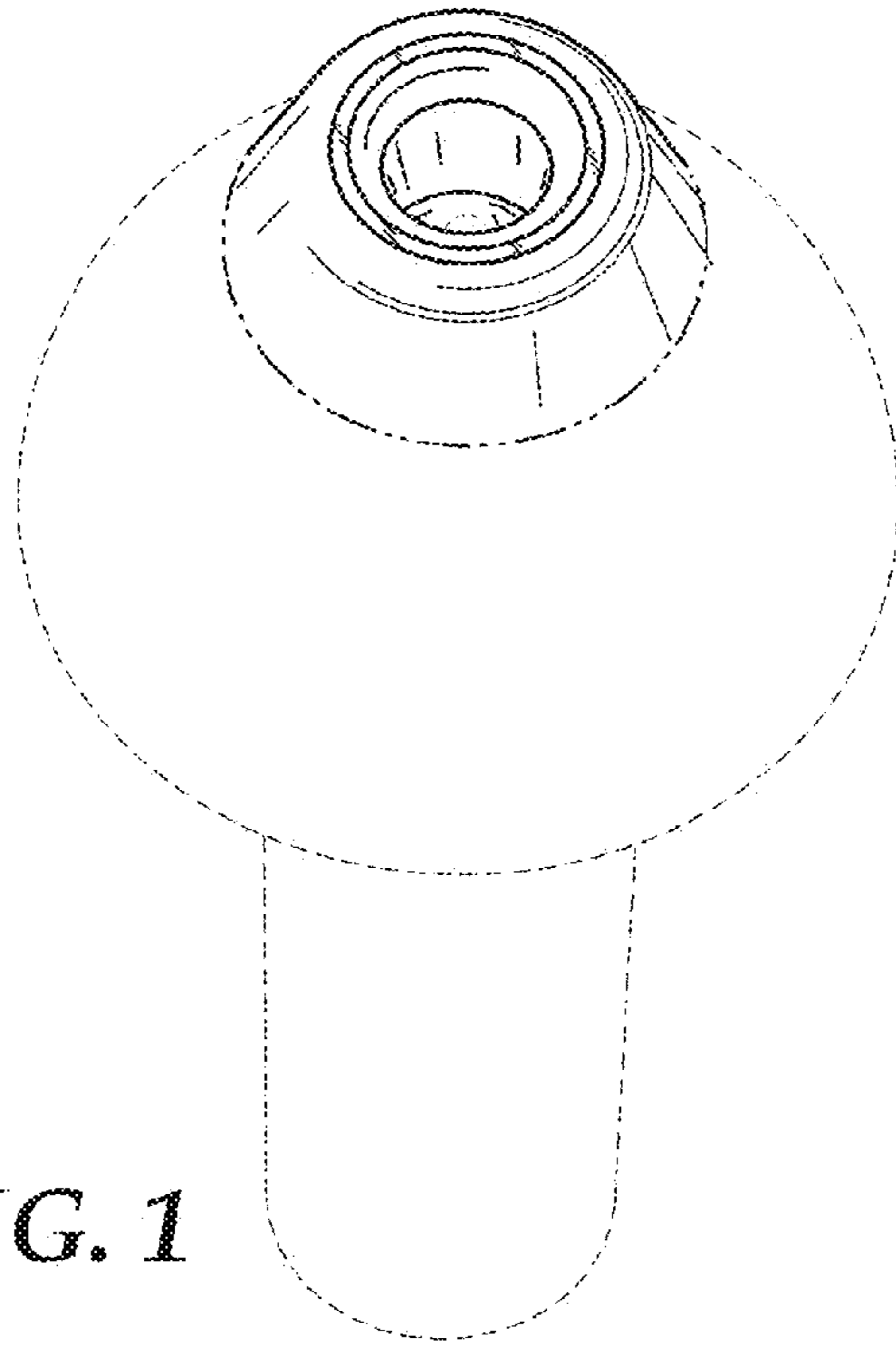


FIG. 1

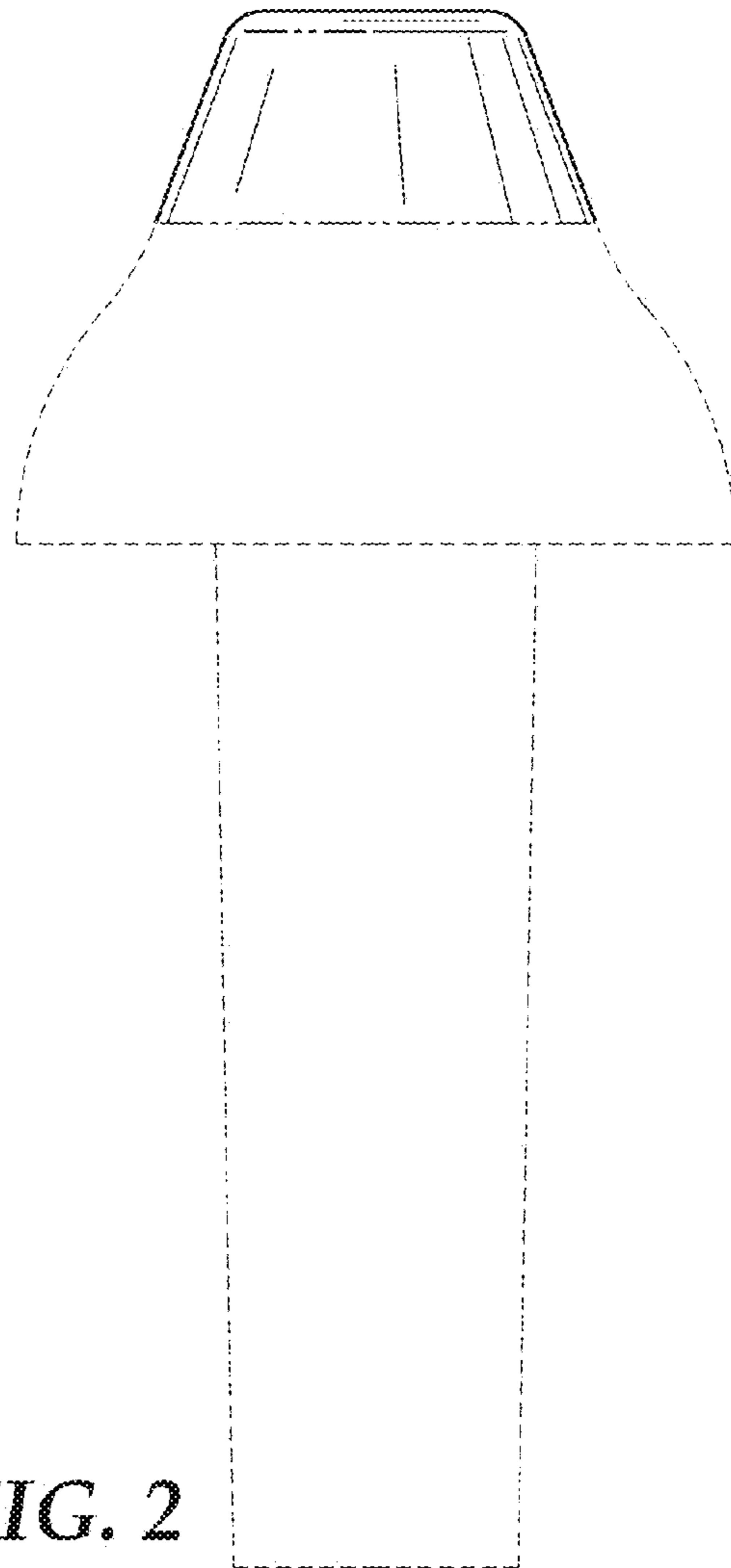


FIG. 2

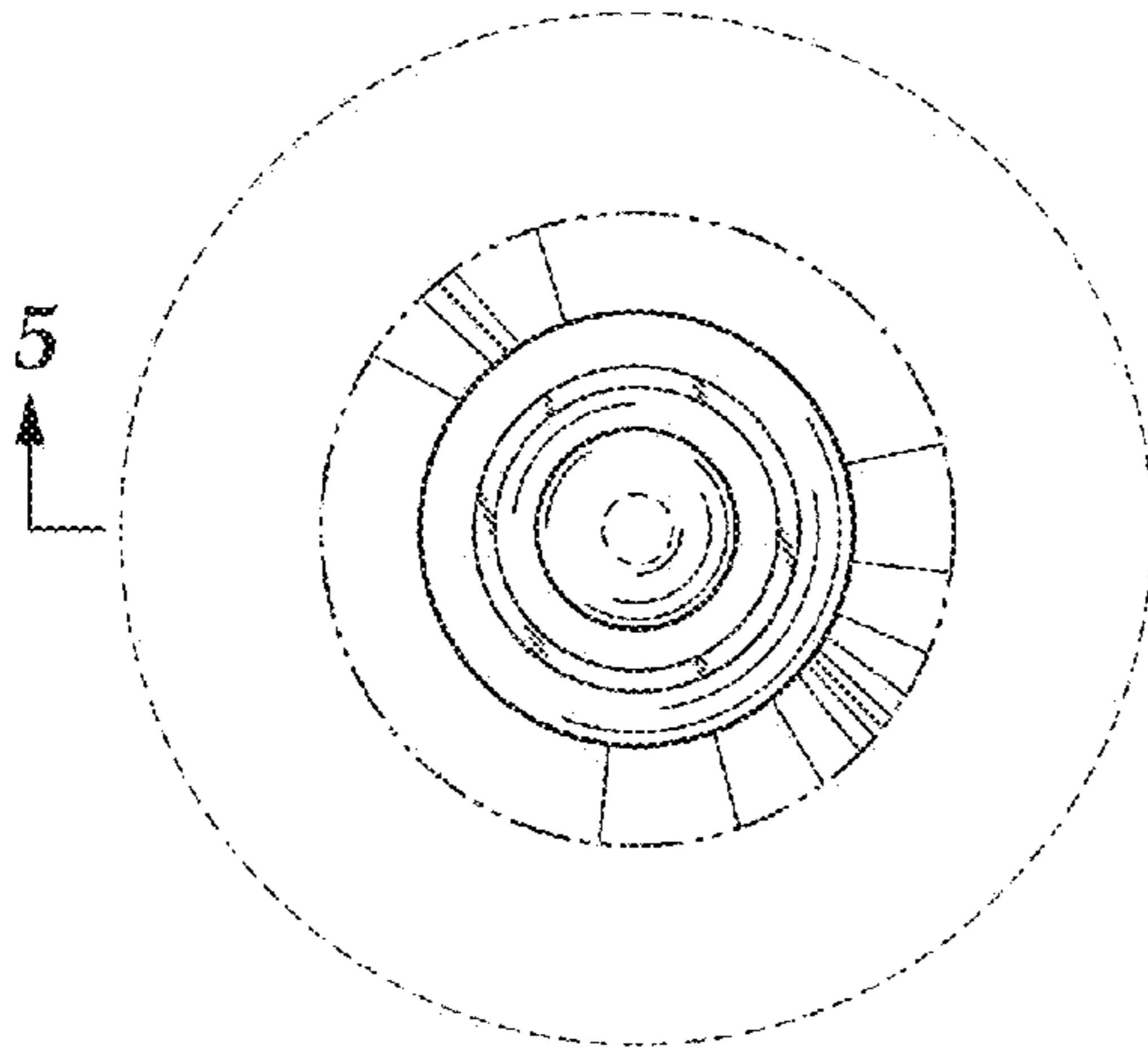


FIG. 3

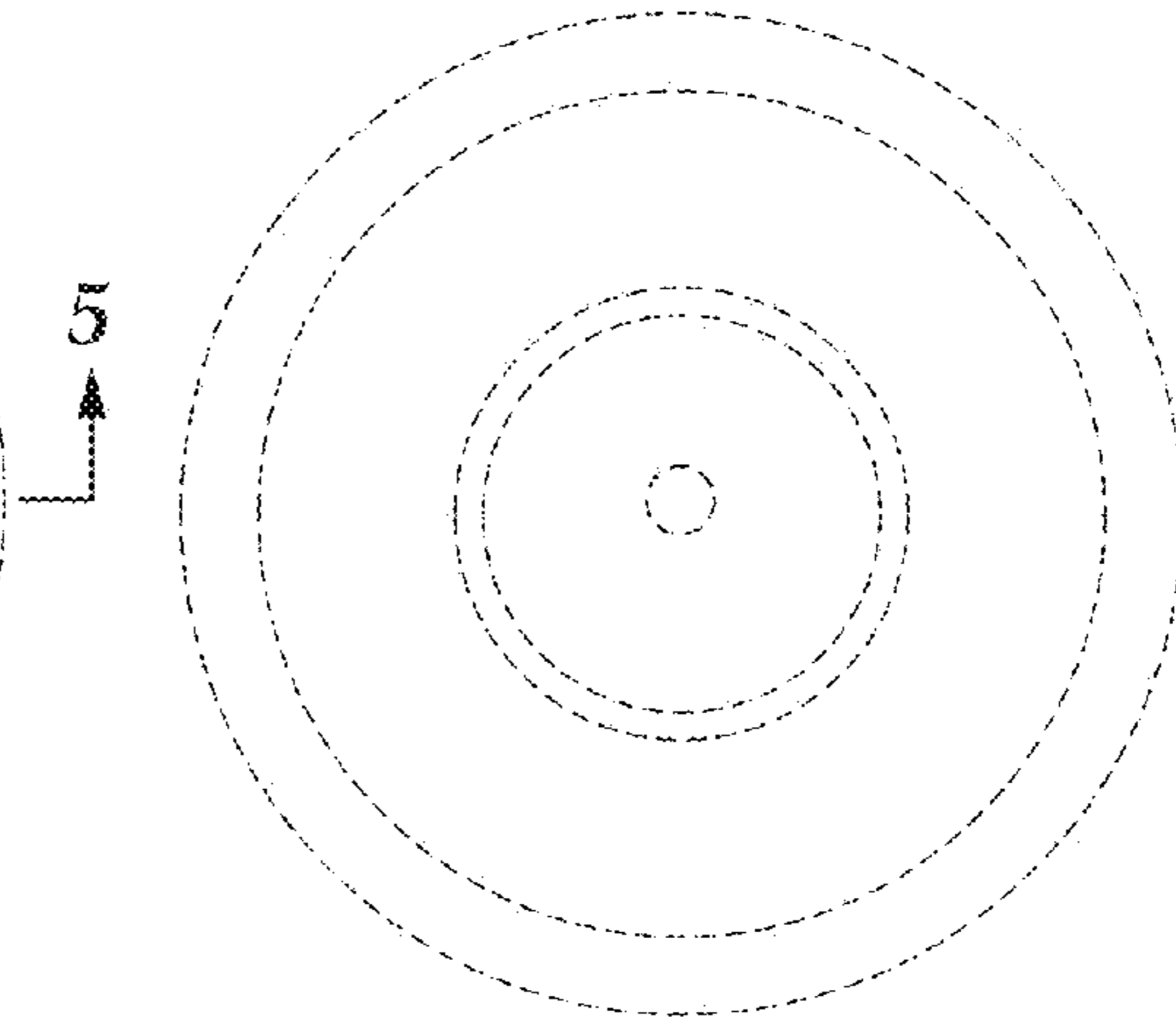


FIG. 4

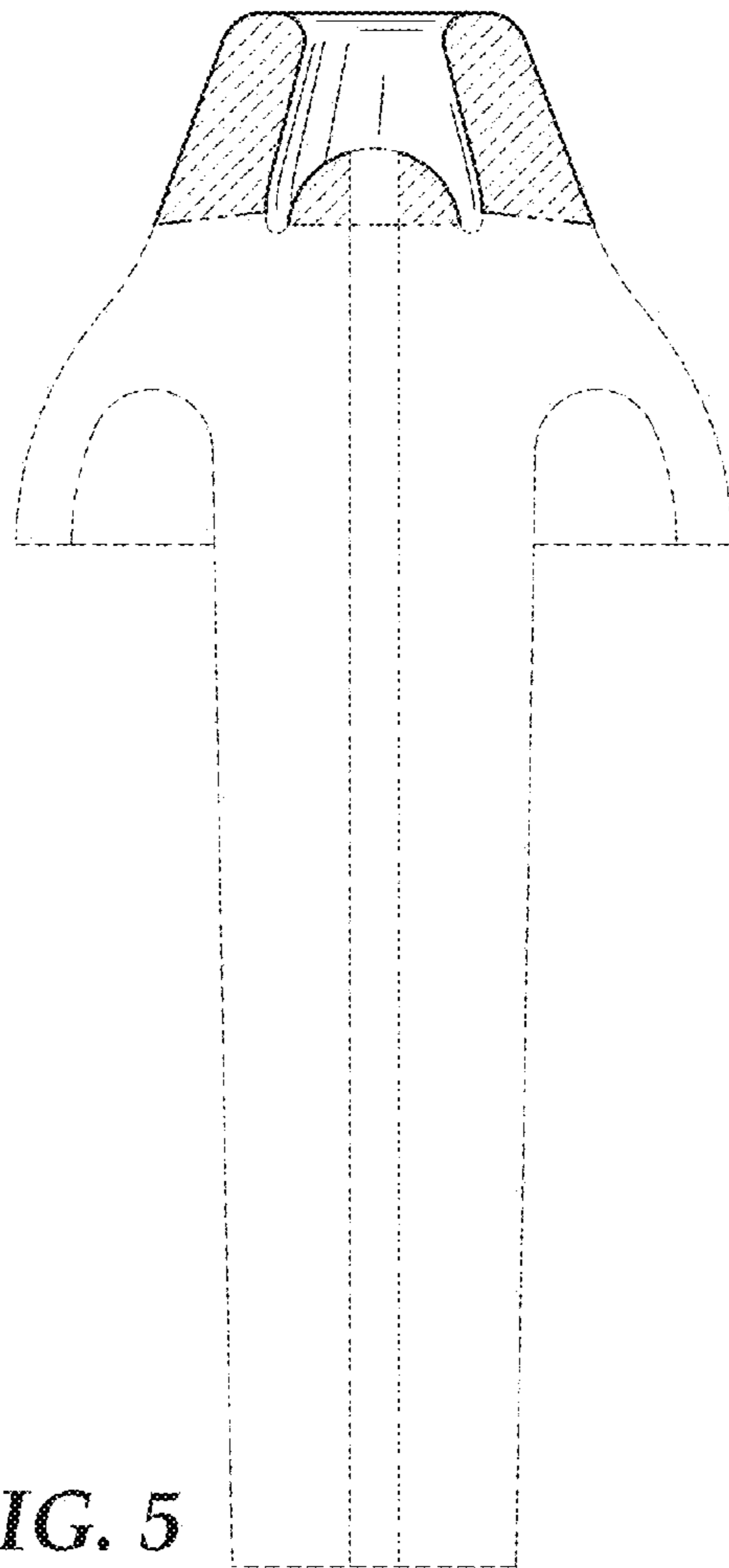


FIG. 5