



US00D757924S

(12) **United States Design Patent**
Briggs et al.

(10) **Patent No.:** **US D757,924 S**
(45) **Date of Patent:** **** May 31, 2016**

(54) **VENT PIPE PROTECTOR FOR STANDING SEAM ROOFS**

6,622,435 B1 * 9/2003 Long 52/302.1
E04D 13/10
52/146

(71) Applicant: **Mastercoil LLC**, Ft. Gibson, OK (US)

D482,604 S 11/2003 Smeja et al.
6,996,938 B1 * 2/2006 Mullane E04D 13/10
52/24

(72) Inventors: **Doss Briggs**, Muskogee, OK (US);
Shahn Corter, Muskogee, OK (US)

7,127,867 B2 10/2006 Smeja et al.
D545,423 S 6/2007 Delallo

(73) Assignee: **MASTERCOIL LLC**, Ft. Gibson, OK (US)

D550,346 S * 9/2007 Ness D23/393
D571,908 S * 6/2008 Myers D23/393

(**) Term: **14 Years**

7,997,032 B2 8/2011 Riley et al.
D678,996 S * 3/2013 Jones D23/393
8,607,507 B2 12/2013 Anderson
2013/0167453 A1 7/2013 Clisser

(21) Appl. No.: **29/489,622**

FOREIGN PATENT DOCUMENTS

(22) Filed: **May 1, 2014**

CH 681642 4/1993
EP 0273833 7/1988

(51) **LOC (10) Cl.** **23-04**

(52) **U.S. Cl.**

* cited by examiner

USPC **D23/386**

(58) **Field of Classification Search**

Primary Examiner — David Muller

USPC D23/386, 373, 374, 393, 387;
454/364–368, 250–253; 52/24, 26,
52/198, 199, 302.1, 57

(74) *Attorney, Agent, or Firm* — Head, Johnson & Kachigian, P.C.

CPC E04D 13/10

See application file for complete search history.

(57) **CLAIM**

The ornamental design for a vent pipe protector for standing seam roofs, as shown and described.

(56) **References Cited**

DESCRIPTION

U.S. PATENT DOCUMENTS

3,579,930 A 5/1971 Murphy
D261,924 S * 11/1981 Donohue D23/386
D299,530 S * 1/1989 Hansen D23/374
4,897,974 A * 2/1990 Lane E04D 13/1476
285/43
5,044,130 A * 9/1991 Chiddister E04D 13/10
52/24
5,456,433 A 10/1995 Burns et al.
5,655,334 A * 8/1997 Kwiatkowski E04D 13/10
52/24
5,664,374 A 9/1997 Lee
D412,570 S * 8/1999 Szwartz D23/374
D433,496 S * 11/2000 Hadley D23/373
6,266,929 B1 7/2001 Cline
6,357,184 B1 3/2002 Alley
6,393,796 B1 * 5/2002 Goetl E04D 12/004

FIG. 1 is a perspective view of a vent pipe protector constructed in accordance with the present invention shown installed on a standing seam roof (shown in dashed lines) and an upstanding vent pipe (shown in dashed lines);

FIG. 2 is a perspective view of the vent pipe protector apart from the roof and vent protector;

FIG. 3 is a top plan view thereof;

FIG. 4 is a bottom plan view thereof;

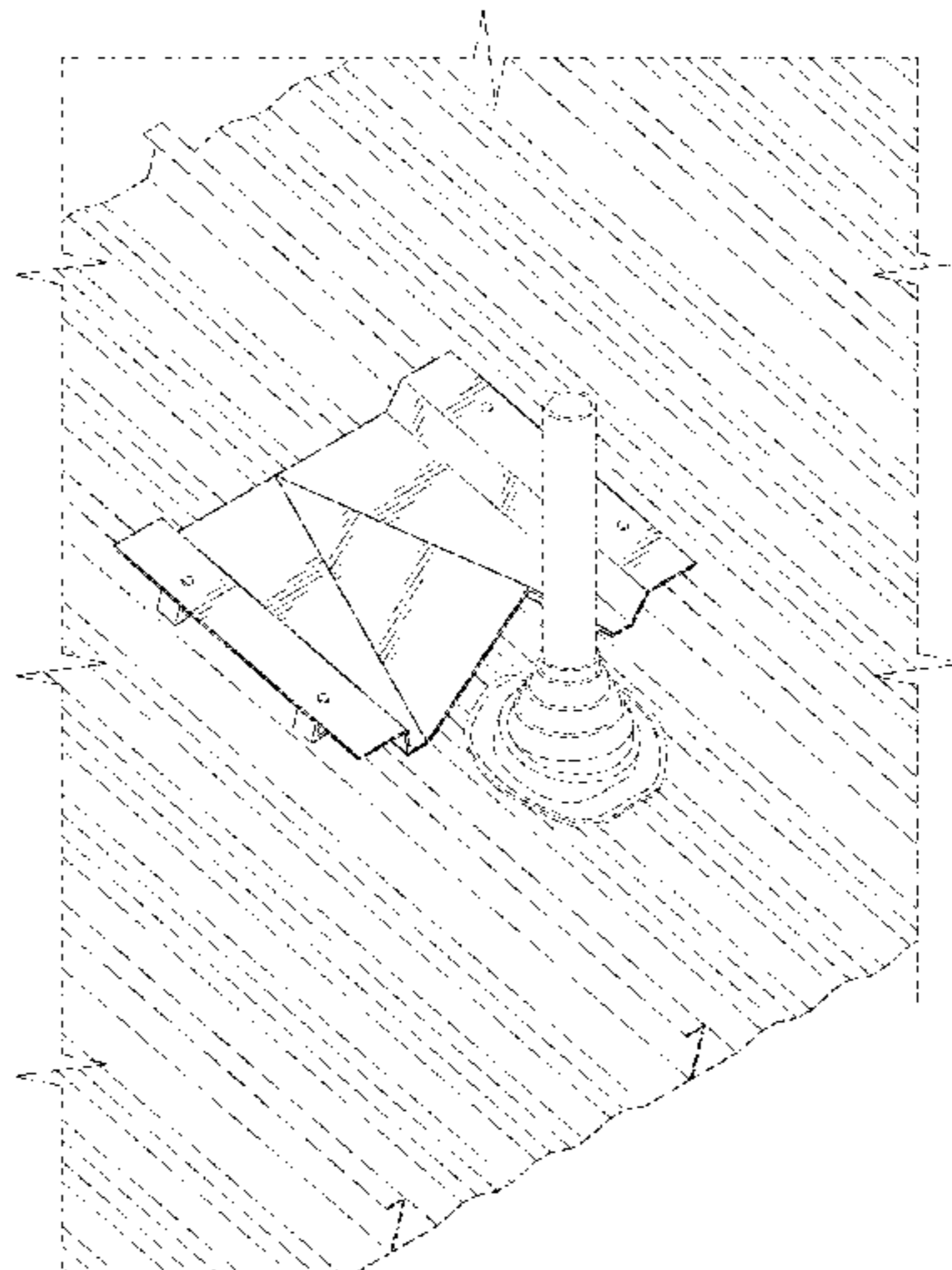
FIG. 5 is a right side elevation view thereof;

FIG. 6 is a left side elevation view thereof;

FIG. 7 is a rear elevation view thereof; and,

FIG. 8 is a front elevation view thereof.

1 Claim, 5 Drawing Sheets



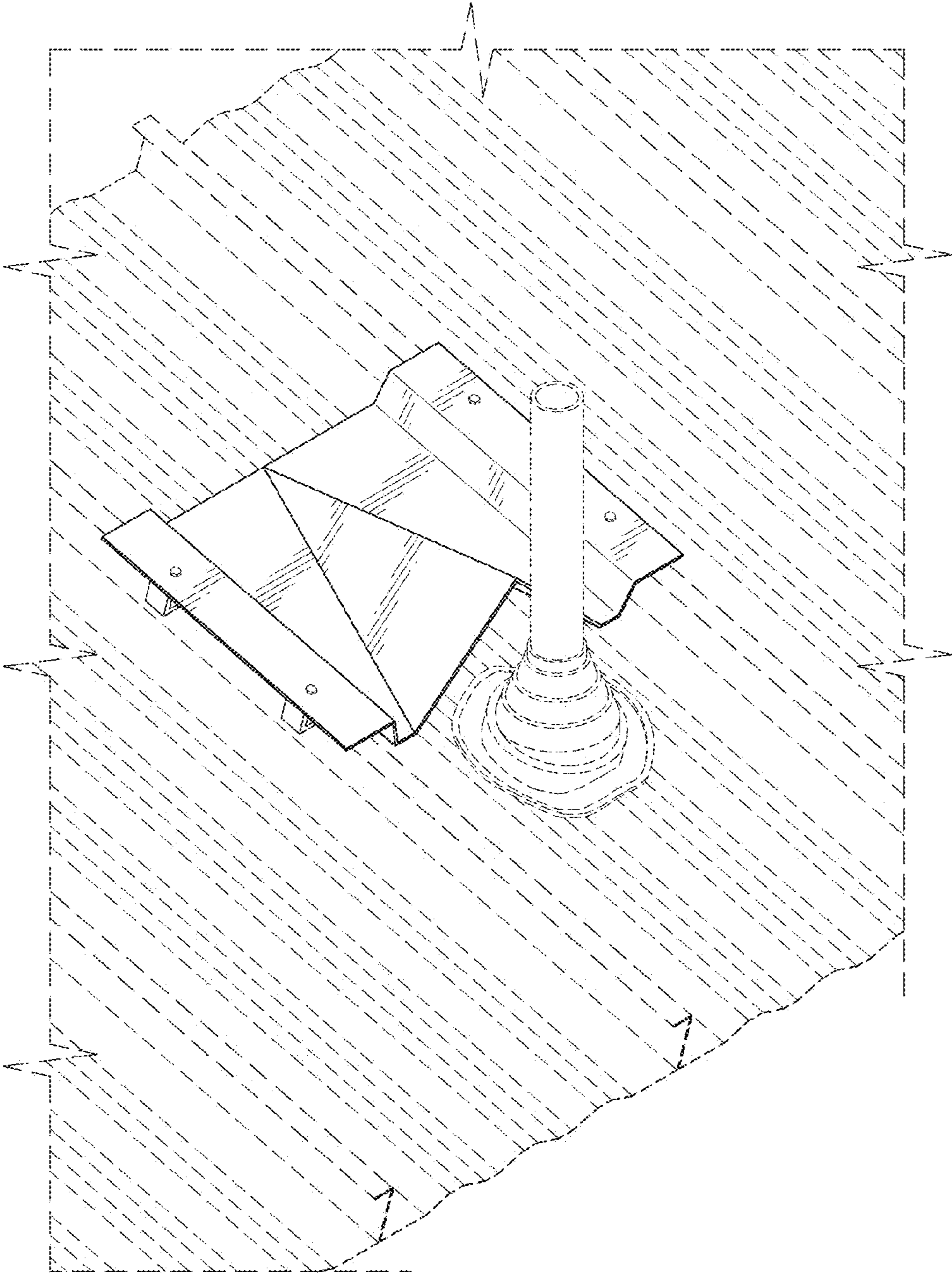


FIG. 1

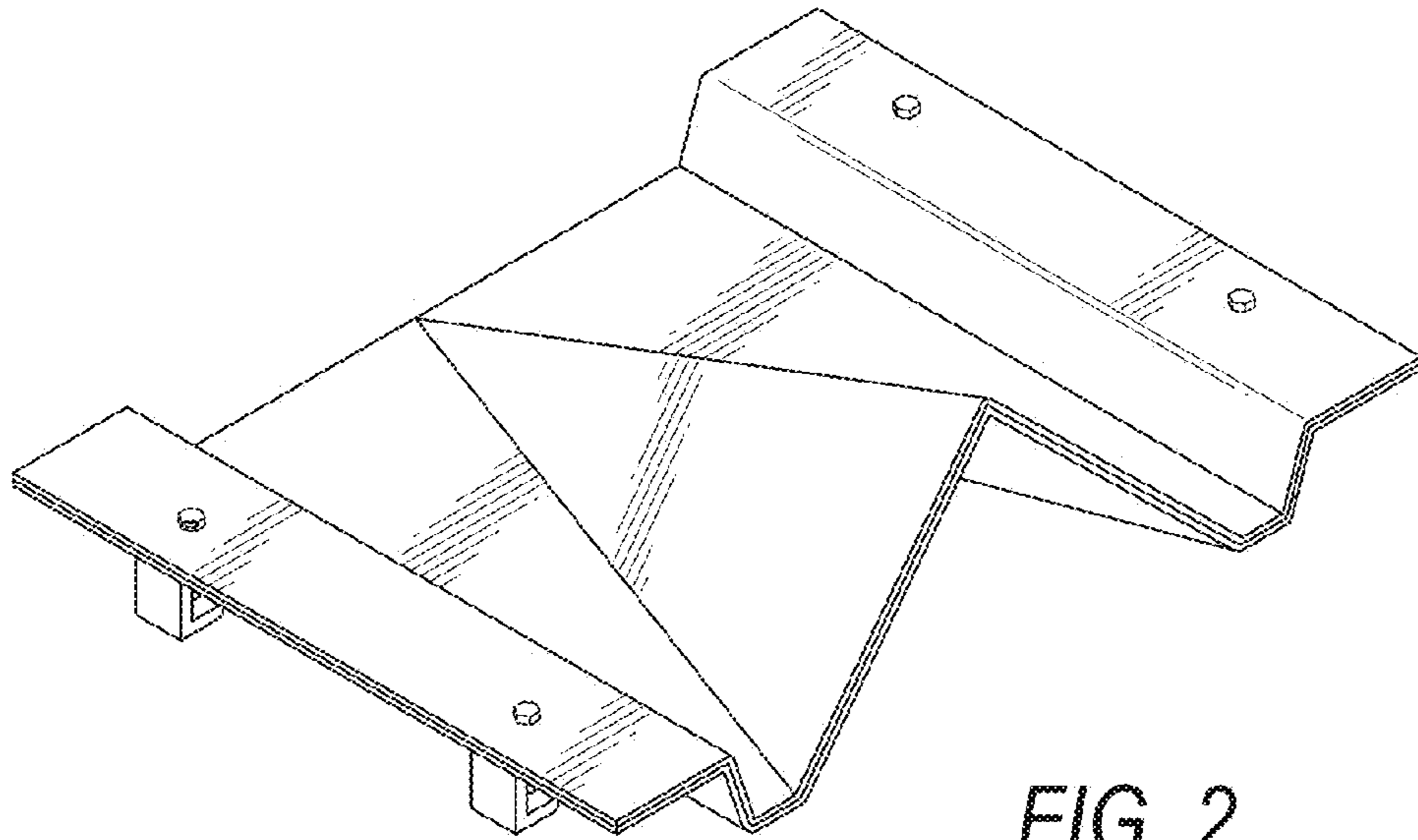


FIG. 2

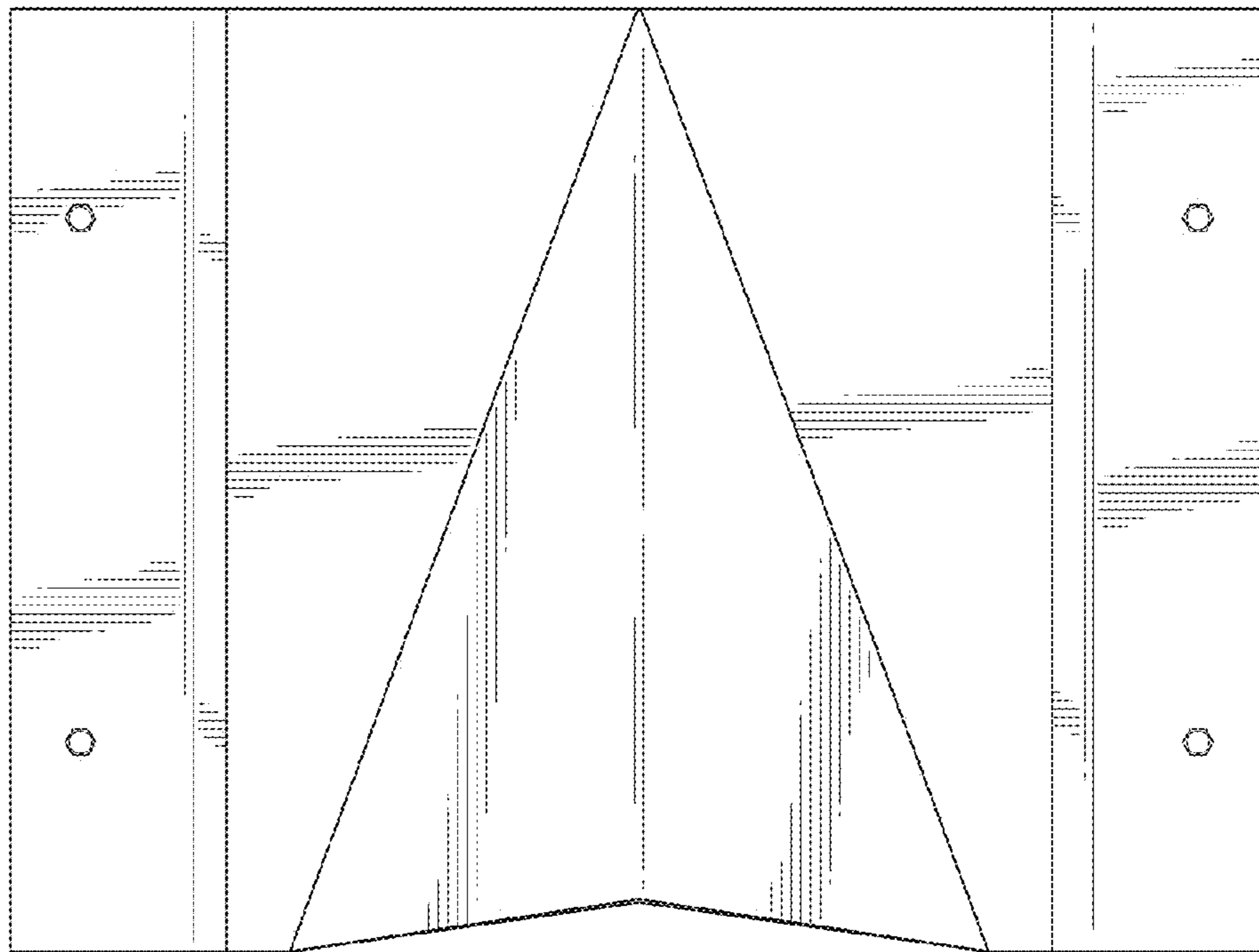


FIG. 3

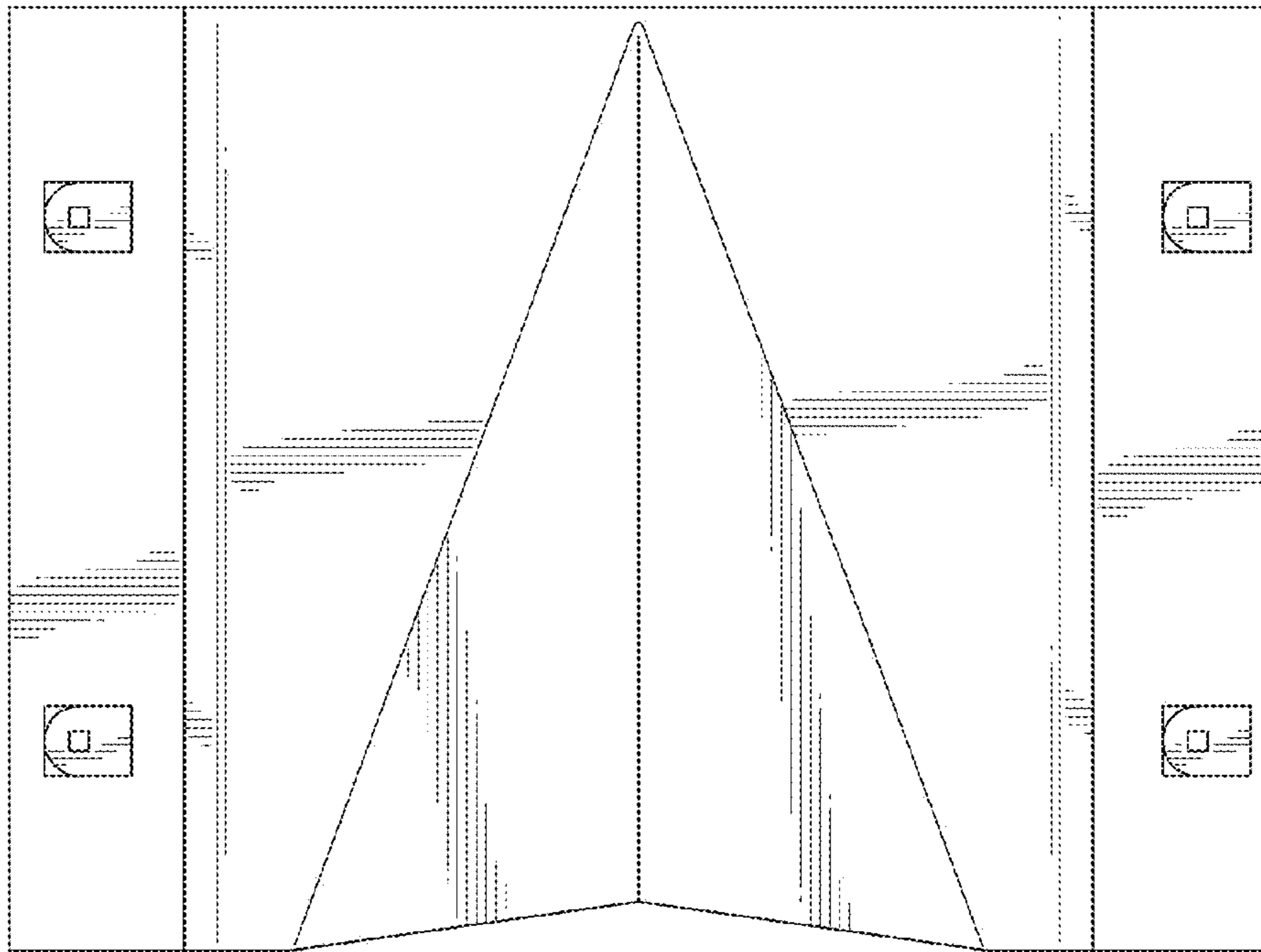


FIG. 4

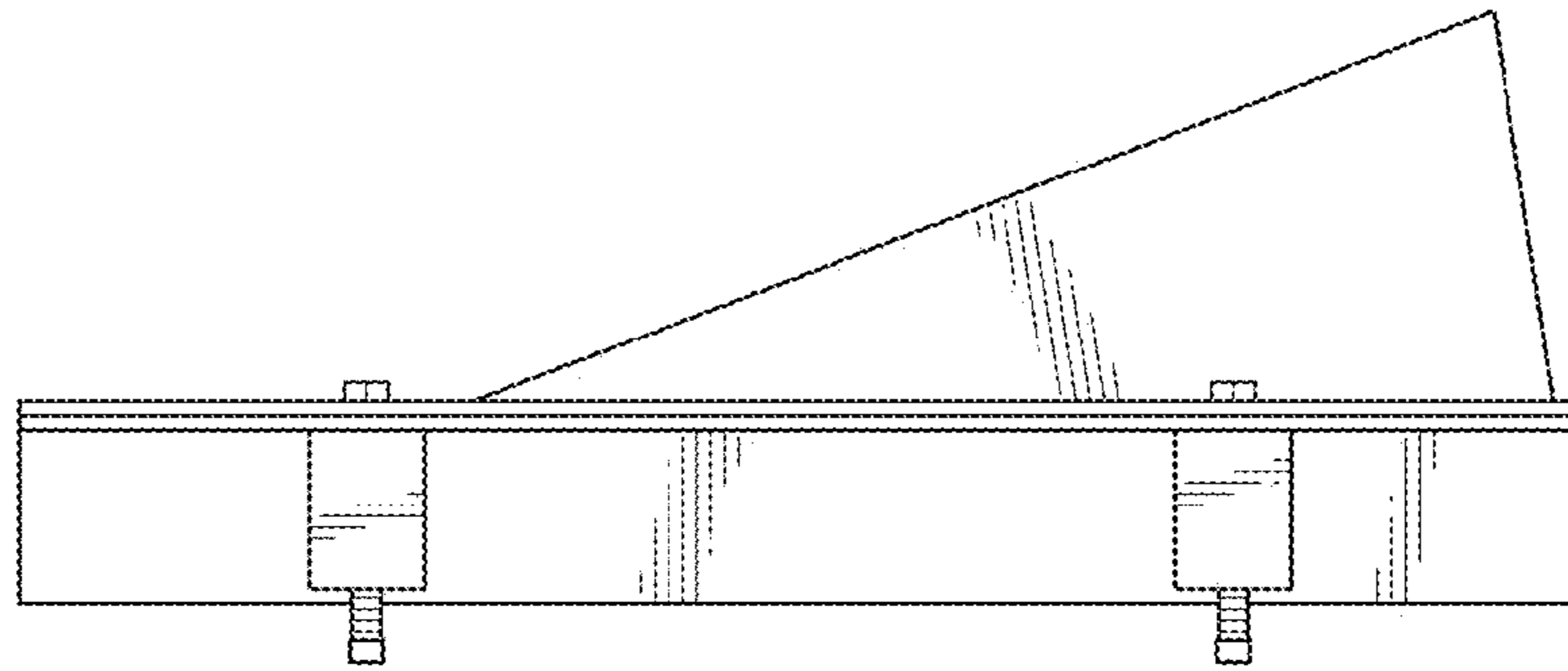


FIG. 5

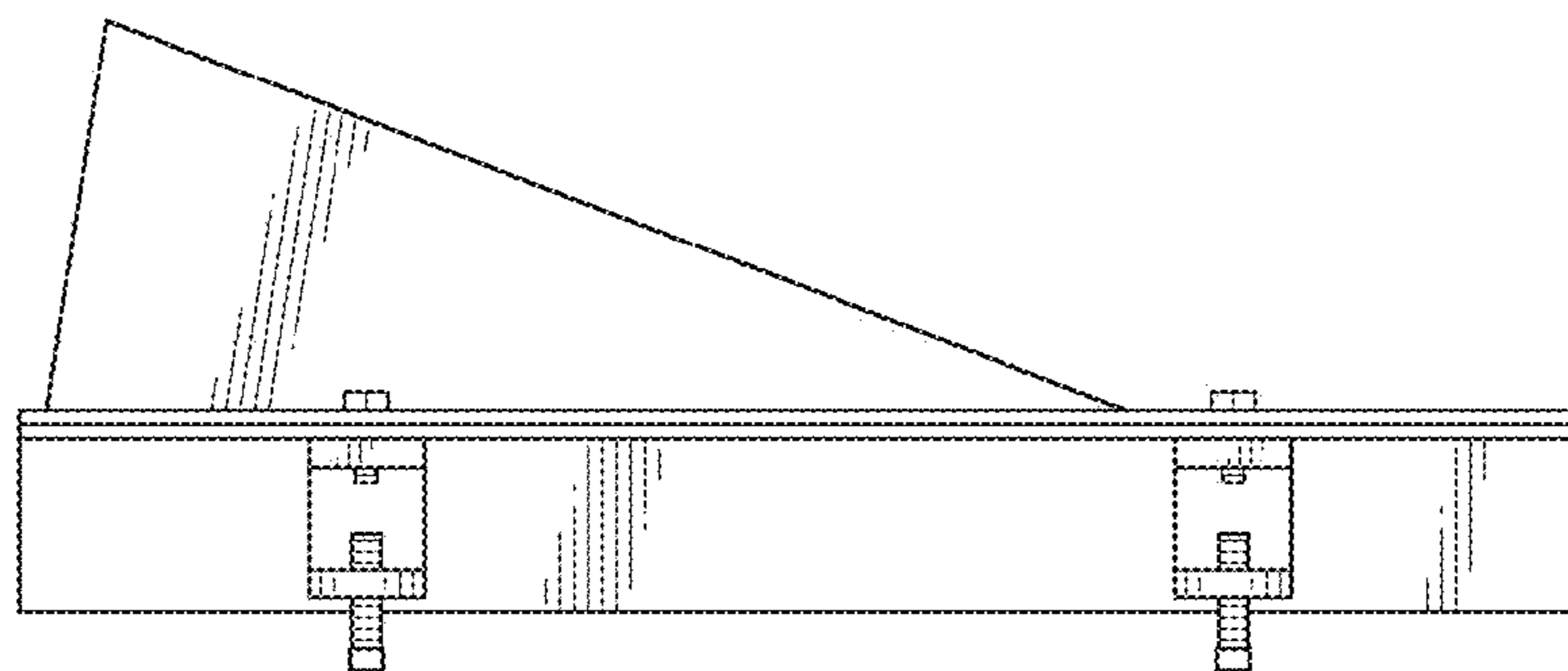


FIG. 6

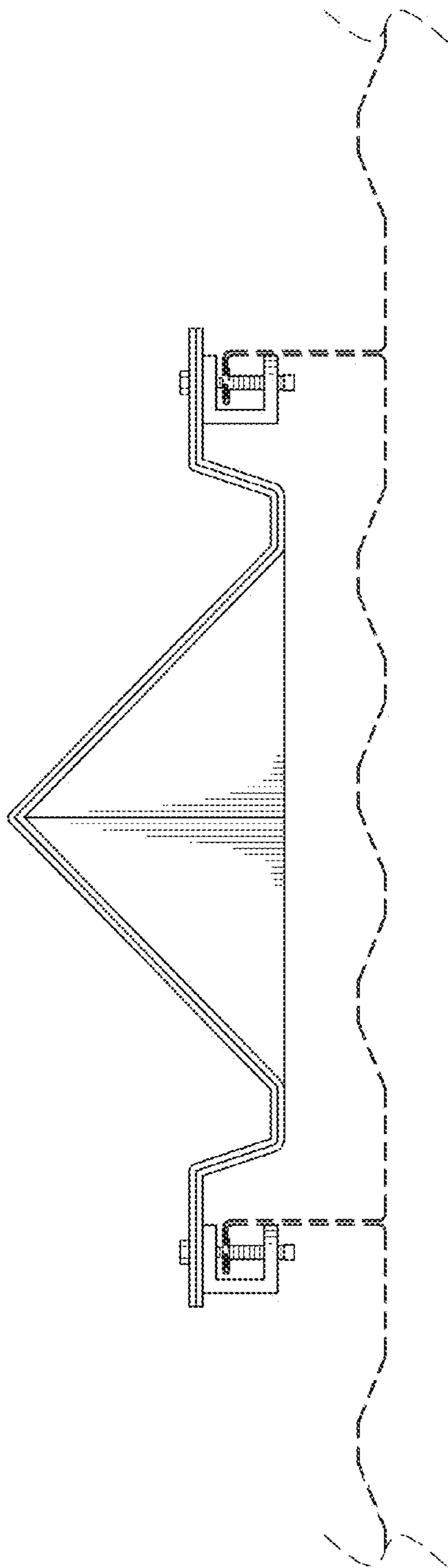


FIG. 7

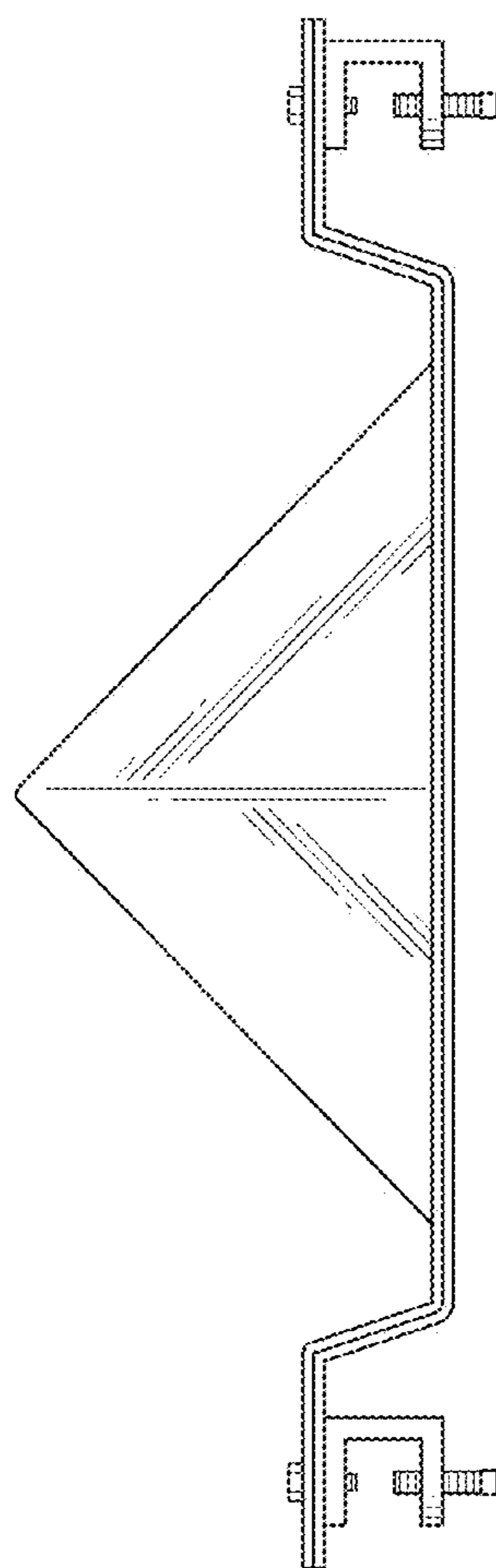


FIG. 8