



US00D757923S

(12) **United States Design Patent**
Tang et al.

(10) **Patent No.:** **US D757,923 S**

(45) **Date of Patent:** **** May 31, 2016**

(54) **FAN ASSEMBLY**

(71) Applicant: **ENVION, LLC**, Sherman Oaks, CA
(US)

(72) Inventors: **Hanmin Tang**, Shaighai (CN); **Jia Liang**, Shaighai (CN)

(73) Assignee: **ENVION, LLC**, Sherman Oaks, CA
(US)

(**) Term: **14 Years**

(21) Appl. No.: **29/520,428**

(22) Filed: **Mar. 13, 2015**

(30) **Foreign Application Priority Data**

Nov. 12, 2014 (CN) 2014 30 446997

(51) **LOC (10) Cl.** **23-04**

(52) **U.S. Cl.**
USPC **D23/370**; D23/364

(58) **Field of Classification Search**
USPC D23/351, 355-360, 364, 366, 370, 381,
D23/382, 411, 499; D14/170, 172, 175,
D14/188; 422/120, 121, 122; 55/356, 473,
55/504

CPC ... F04D 29/325; F04D 29/326; F04D 29/329;
F04D 29/384; F04D 29/386; F04D 29/28;
F04D 29/281; F04D 29/282; F04D 29/284;
F04D 29/663; F04D 29/646; F04D 29/701;
F04D 29/703; F04D 29/526; F04D 29/547;
F04D 25/08; F04D 25/082; F04D 25/084;
F04D 25/068; F24F 2003/1614; F24F
2003/1625; F24F 2003/1692; F24F
2001/0096; B01D 2279/50

See application file for complete search history.

(56) **References Cited**

U.S. PATENT DOCUMENTS

D329,284 S *	9/1992	Patton	D23/378
D389,567 S *	1/1998	Gudefin	D23/370
D420,438 S *	2/2000	Pinchuk	D23/364
D433,494 S *	11/2000	Pinchuk	D23/364
D461,002 S *	7/2002	Christianson	D23/364
D462,430 S *	9/2002	Christianson	D23/364
D486,218 S *	2/2004	Shapiro	D23/381
D487,140 S *	2/2004	Gao	D23/335
D519,196 S *	4/2006	Blateri	D23/335
D525,691 S *	7/2006	Russak	D23/364
D527,086 S *	8/2006	Russak	D23/364
D529,160 S *	9/2006	Li	D23/364
D530,411 S *	10/2006	Shapiro	D23/314
D543,612 S *	5/2007	Fok	D23/336
D569,957 S *	5/2008	Shapiro	D23/317

(Continued)

OTHER PUBLICATIONS

TPP220H Manual 2.15 R2 envionproducts.com (online PDF) 11 pgs.
Published Feb. 26, 2015 [retrieved on Jan. 5, 2016]. Retrieved:
<https://www.envionproducts.com/images/TPP220H_Mnl_2.15_R2.pdf>.*

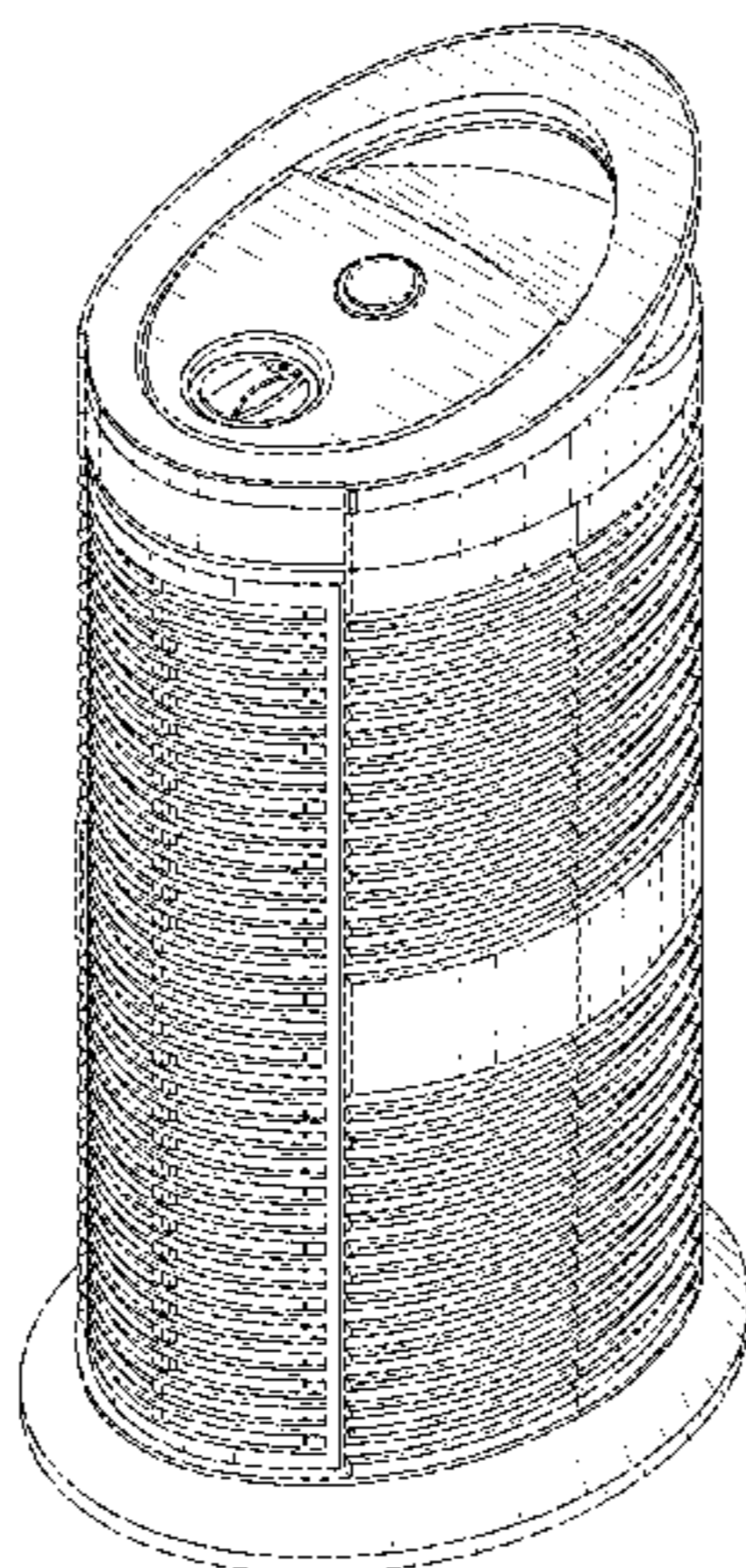
Primary Examiner — Susan Bennett Hattan
Assistant Examiner — Marie Fast Horse
(74) *Attorney, Agent, or Firm* — Sutherland Asbill & Brennan LLP

(57) **CLAIM**
The ornamental design for a fan assembly, as shown and described.

DESCRIPTION

FIG. 1 is a perspective view of a fan assembly according to an embodiment of the disclosure;
FIG. 2 is a front view thereof;
FIG. 3 is a rear view thereof;
FIG. 4 is a top view thereof;
FIG. 5 is a bottom view thereof;
FIG. 6 is a side view thereof; and,
FIG. 7 is a side view thereof.
The broken lines in the drawings depict parts of the fan assembly that form no part of the claimed design.

1 Claim, 4 Drawing Sheets



(56)

References Cited

U.S. PATENT DOCUMENTS

D578,630 S *	10/2008	Shapiro	D23/332	D716,425 S *	10/2014	Tai	D23/314
D581,038 S *	11/2008	Boswell	D23/378	D744,628 S *	12/2015	Alexander	D23/370
D586,899 S *	2/2009	Searle	D23/364	2004/0118289 A1 *	6/2004	Chang	B01D 46/0023
D594,110 S *	6/2009	Bucher	D23/382					96/417
D604,814 S *	11/2009	Lee	D23/314	2005/0123392 A1 *	6/2005	Belsito	F04D 25/166
D658,751 S *	5/2012	Farone	D23/364					415/53.1
D678,493 S *	3/2013	Lacotta	D23/355	2007/0180801 A1 *	8/2007	Paterson	F24F 3/166
D683,006 S *	5/2013	Spiegel	D23/364					55/413
D683,007 S *	5/2013	Spiegel	D23/364	2007/0221061 A1 *	9/2007	Steiner	B03C 3/32
									96/63
					2008/0028733 A1 *	2/2008	Paterson	B01D 46/0002
									55/471

* cited by examiner

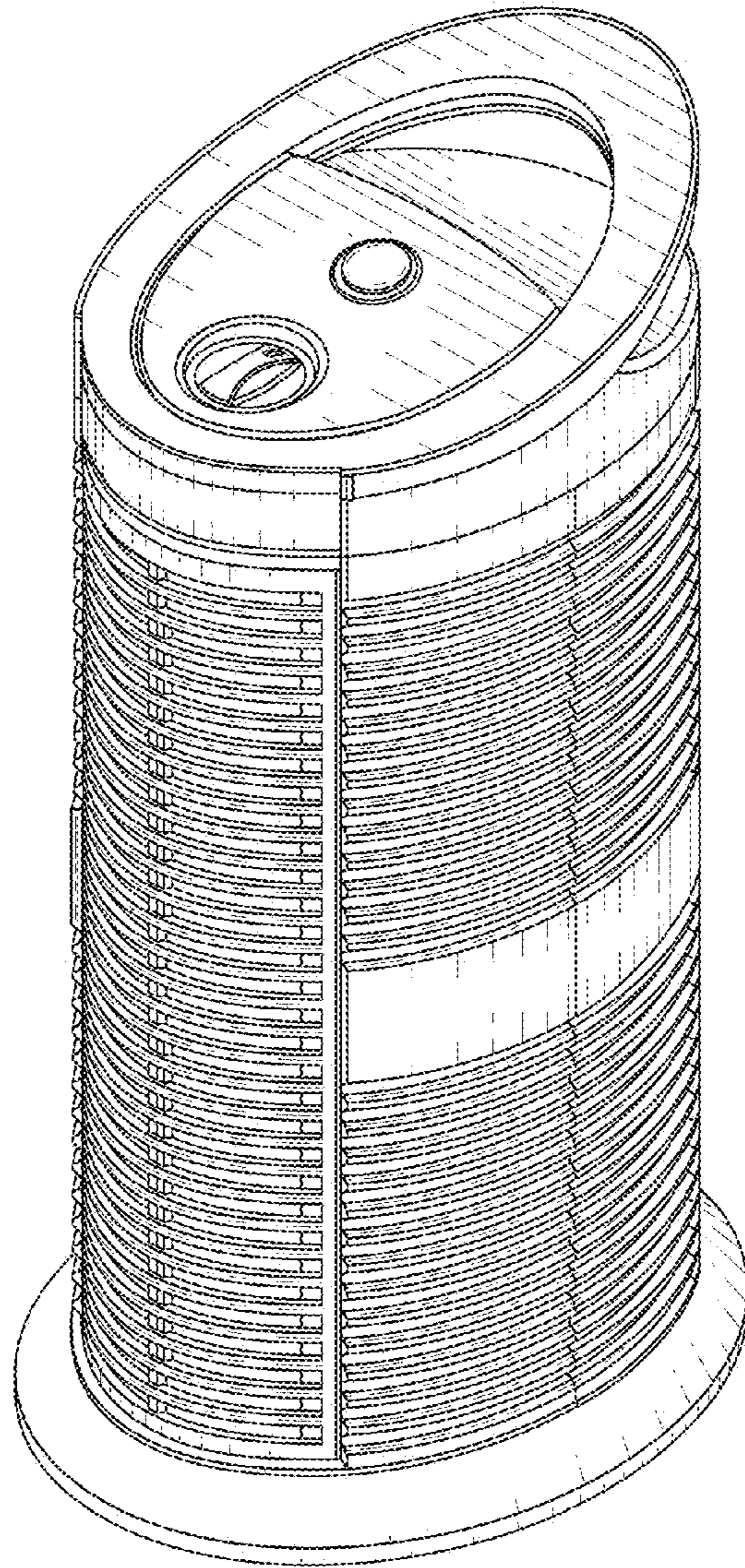


FIG. 1

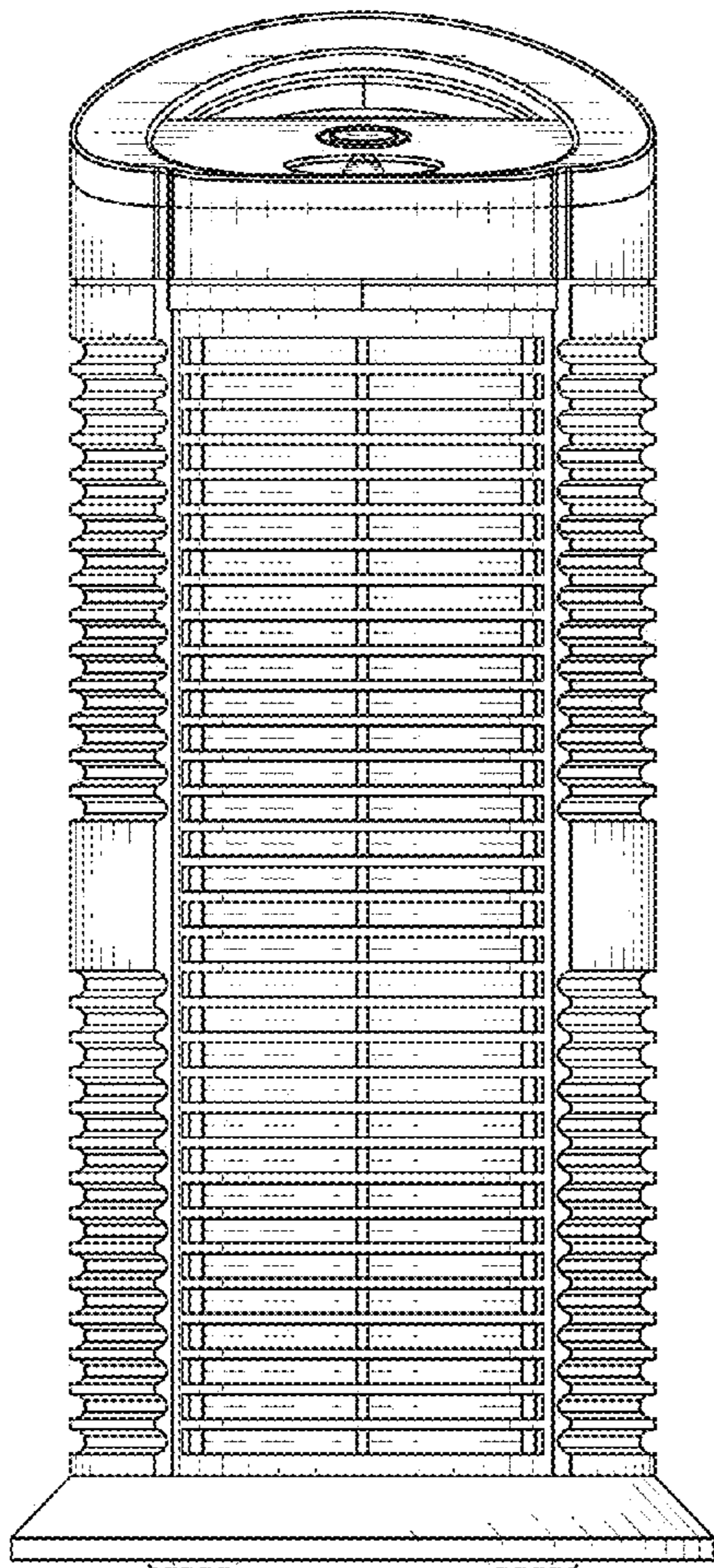


FIG. 2

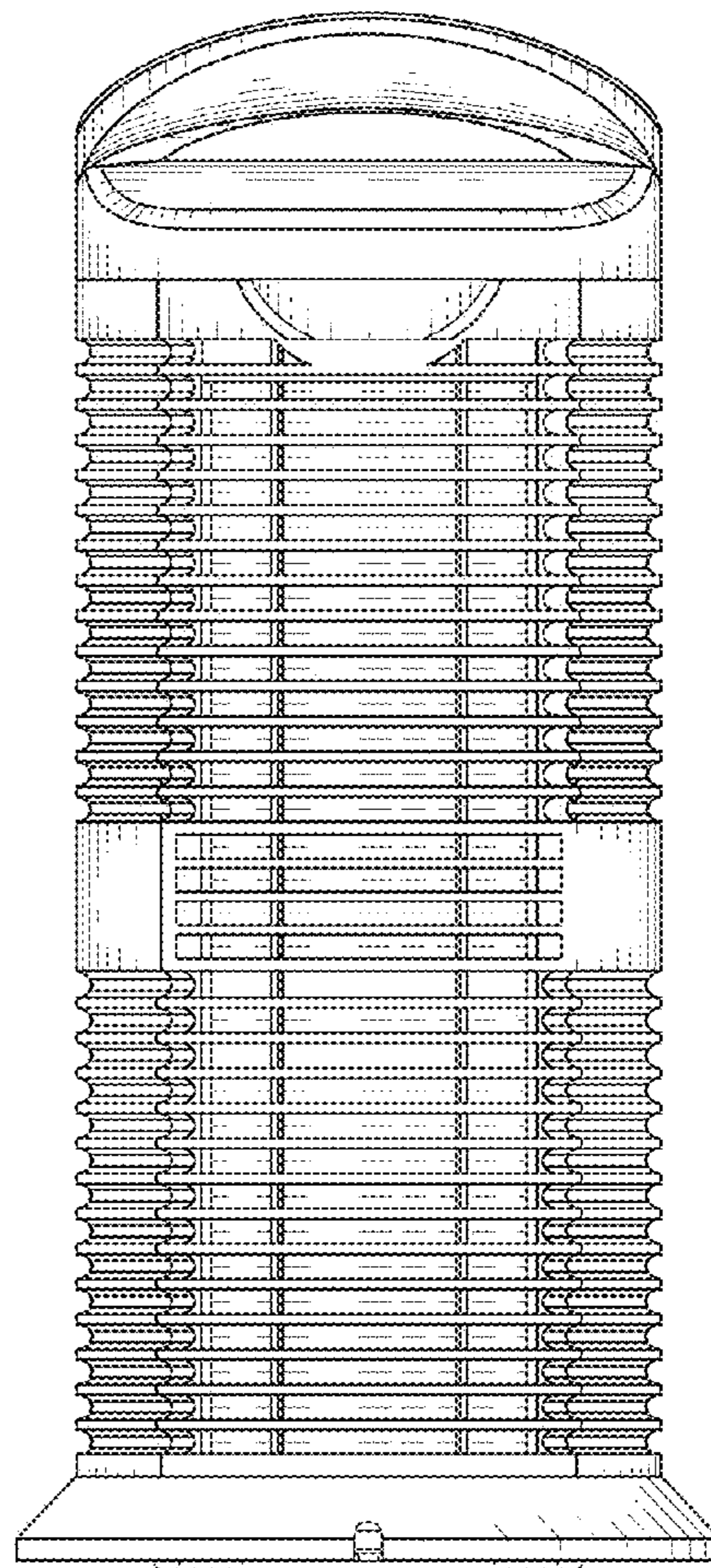


FIG. 3

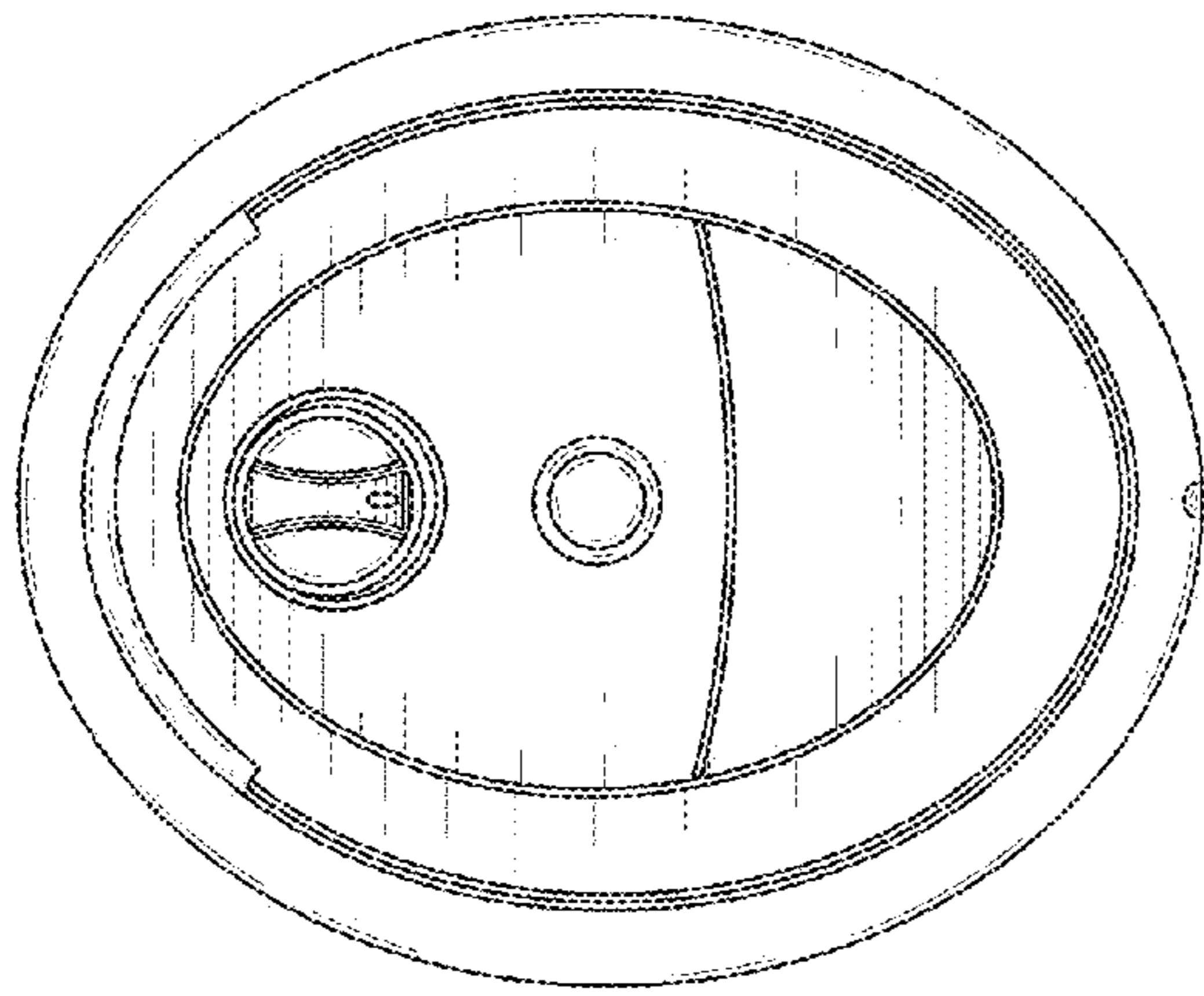


FIG. 4

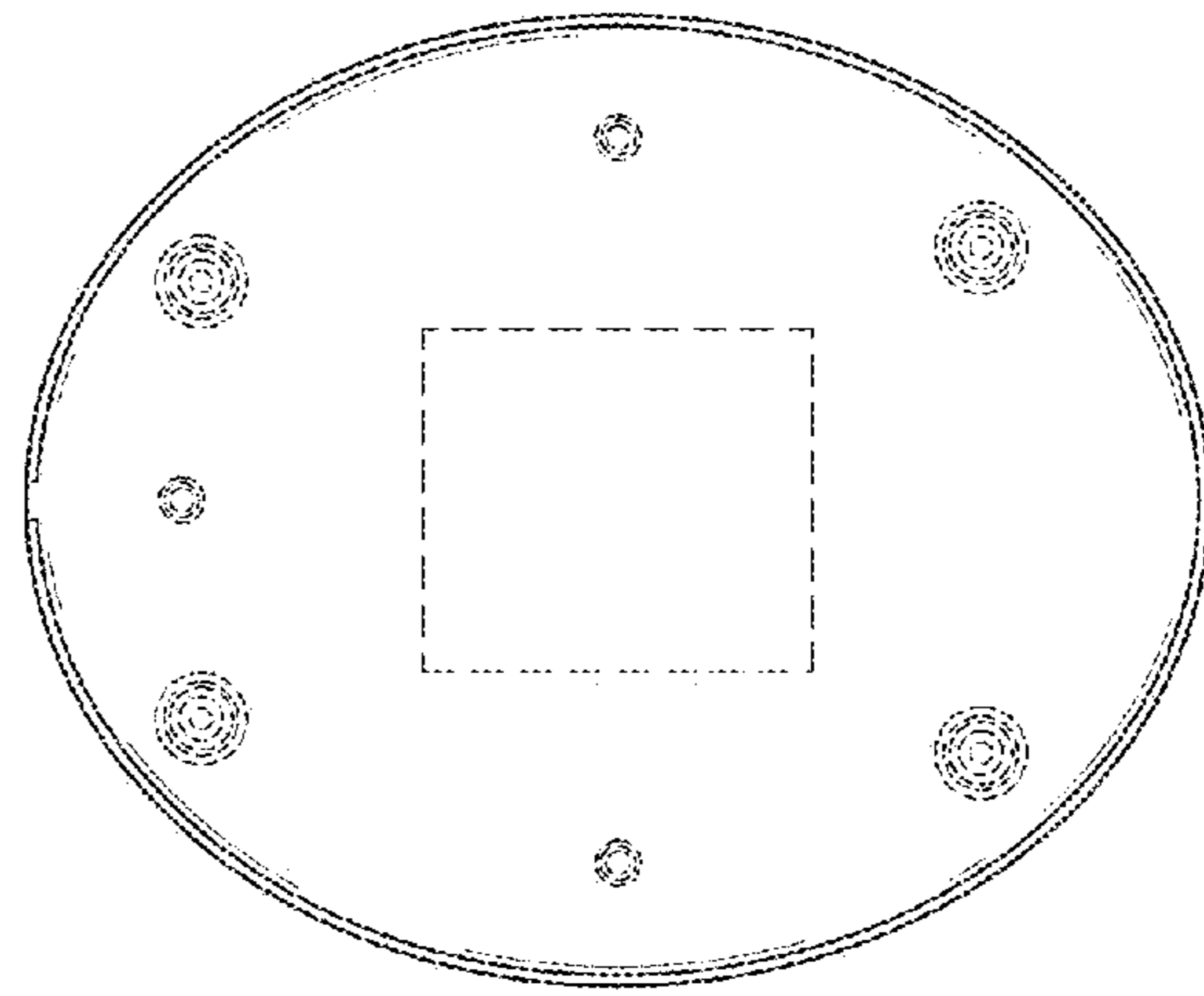


FIG. 5

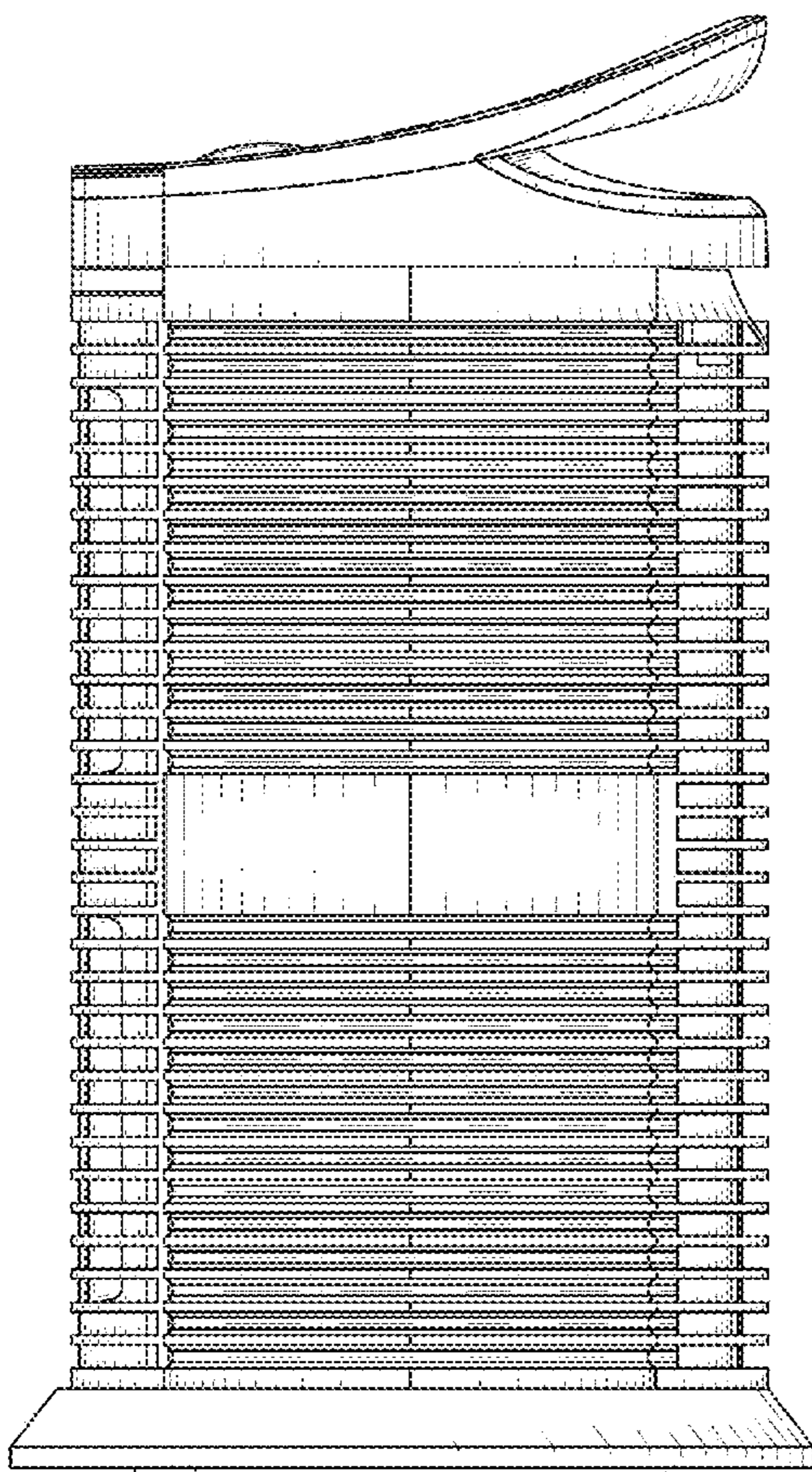


FIG. 6

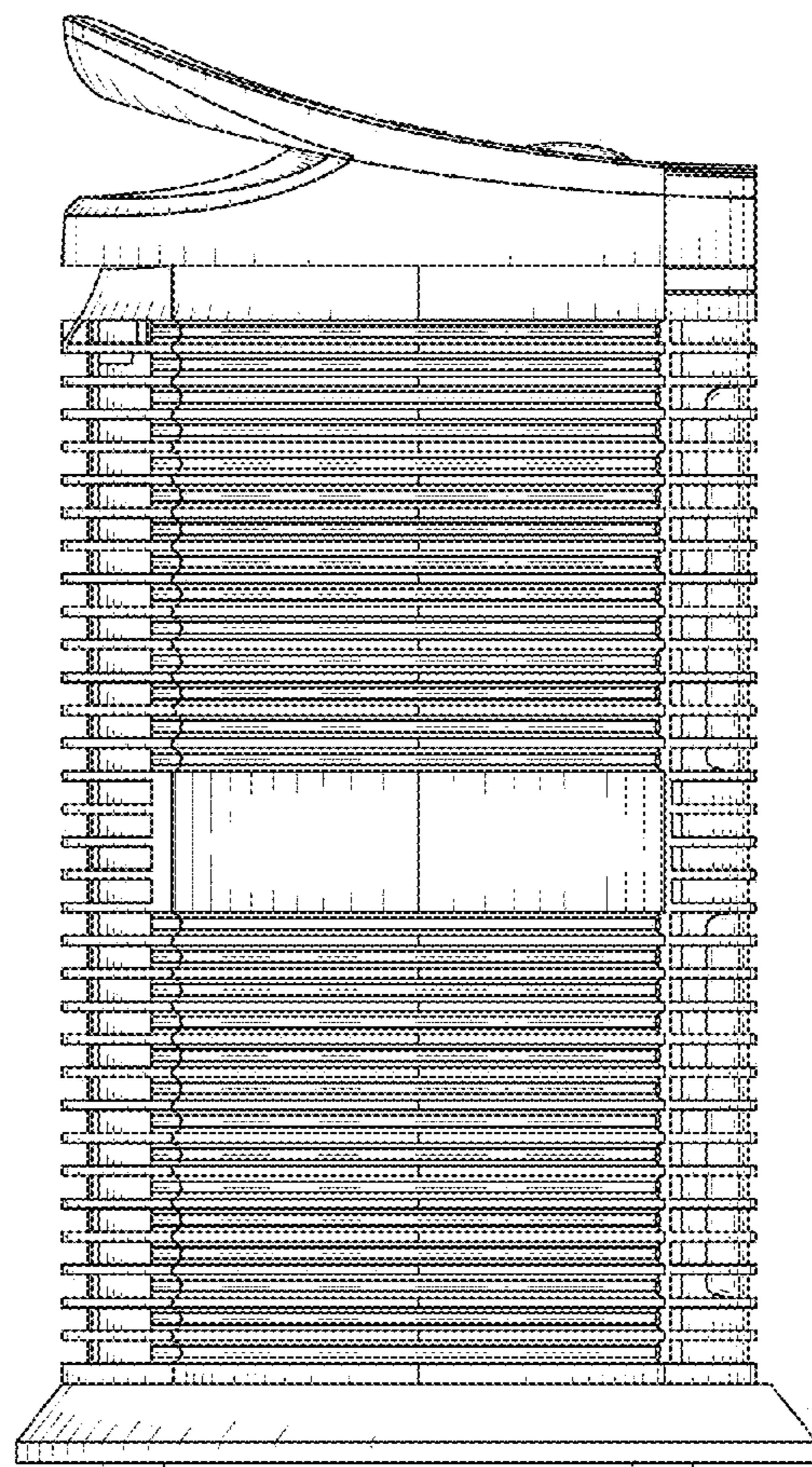


FIG. 7