



US00D757921S

(12) **United States Design Patent**
Li

(10) **Patent No.:** **US D757,921 S**

(45) **Date of Patent:** **** May 31, 2016**

(54) **AROMA DIFFUSER**

(71) Applicant: **Puzhen Life Co., Ltd.**, Hong Kong
(HK)

(72) Inventor: **Dong Sheng Li**, Hong Kong (HK)

(73) Assignee: **PUZHEN LIFE CO., LTD.**, Hong Kong
(HK)

(**) Term: **14 Years**

(21) Appl. No.: **29/521,128**

(22) Filed: **Mar. 20, 2015**

(30) **Foreign Application Priority Data**

Oct. 6, 2014 (HK) 1401866.3

(51) **LOC (10) Cl.** **28-99**

(52) **U.S. Cl.**
USPC **D23/366**

(58) **Field of Classification Search**
USPC D23/355-369; D28/5, 6; 261/DIG. 17,
261/DIG. 42, DIG. 65, DIG. 88, DIG. 89;
392/386, 390, 394, 395, 392; 239/34,
239/44, 53, 55, 56, 326; D7/300, 300.1,
D7/584
CPC A61L 9/00; A61L 9/02; A61L 9/03;
A61L 9/032; A61L 9/035; A61L 9/037;
A61L 9/04; A61L 9/12; A61L 9/22

See application file for complete search history.

(56) **References Cited**

U.S. PATENT DOCUMENTS

D432,223 S *	10/2000	King	D23/366
D434,843 S *	12/2000	Zaragoza	D23/366
D449,371 S *	10/2001	Bornstein	D23/360
D455,827 S *	4/2002	Simons	D23/366
D464,130 S *	10/2002	Denham	D23/366
D620,576 S *	7/2010	Jorgensen	D23/366
D620,577 S *	7/2010	Hsiao	D23/366
7,824,627 B2 *	11/2010	Michaels	A01M 1/205 239/102.2
D706,915 S *	6/2014	Suzuki	D23/366
D726,895 S *	4/2015	Takatsuka	D23/369

* cited by examiner

Primary Examiner — Sandra Snapp

(57) **CLAIM**

The ornamental design for an aroma diffuser, as shown and described.

DESCRIPTION

FIG. 1 is a first perspective view of an aroma diffuser showing my new design;

FIG. 2 is a second perspective view thereof;

FIG. 3 is a front elevational view thereof;

FIG. 4 is a rear elevational view thereof;

FIG. 5 is a left side view thereof;

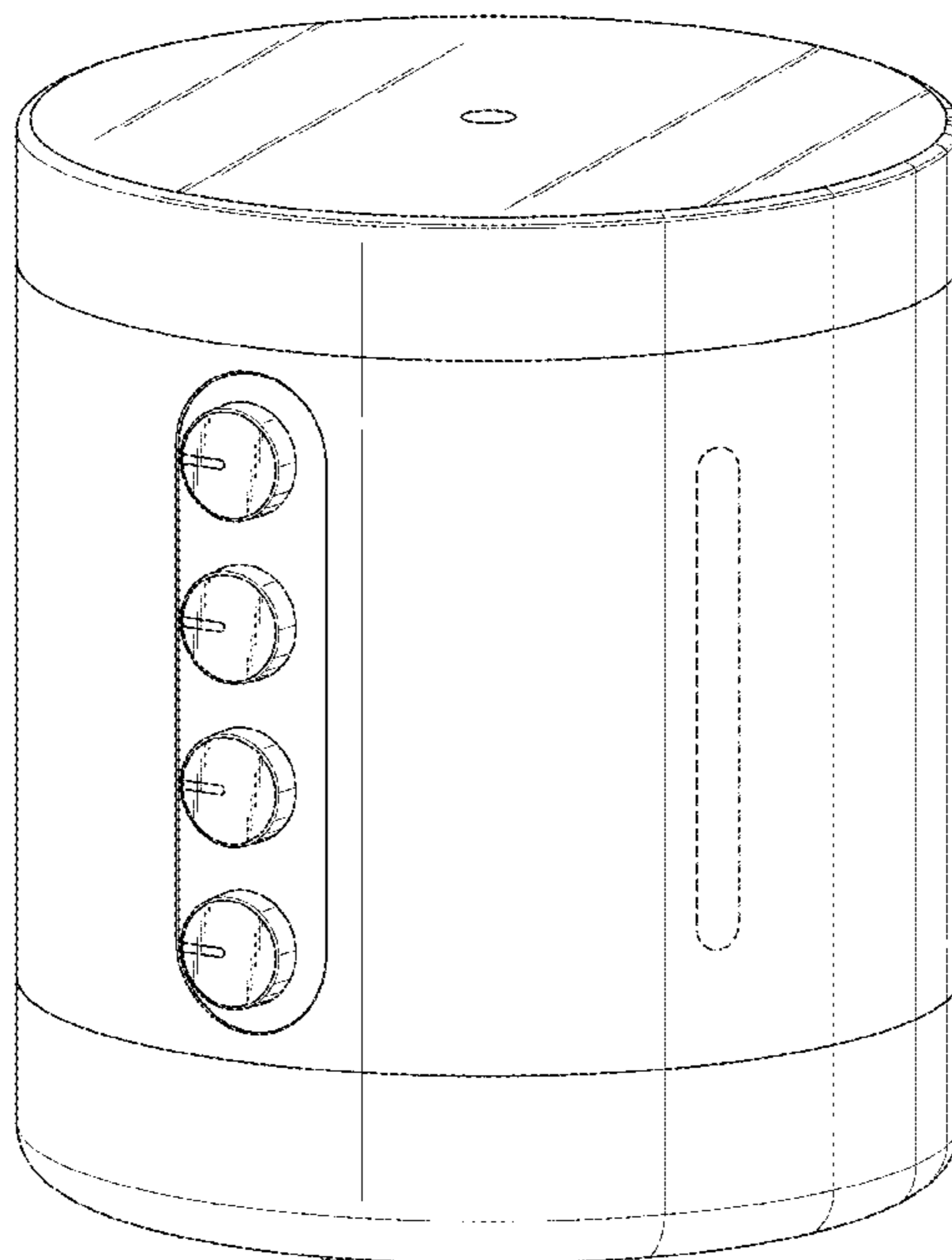
FIG. 6 is a right side view thereof;

FIG. 7 is a top plan view thereof; and,

FIG. 8 is a bottom plan view thereof.

The broken lines are for illustrative purposes only and form no part of the claimed design.

1 Claim, 8 Drawing Sheets



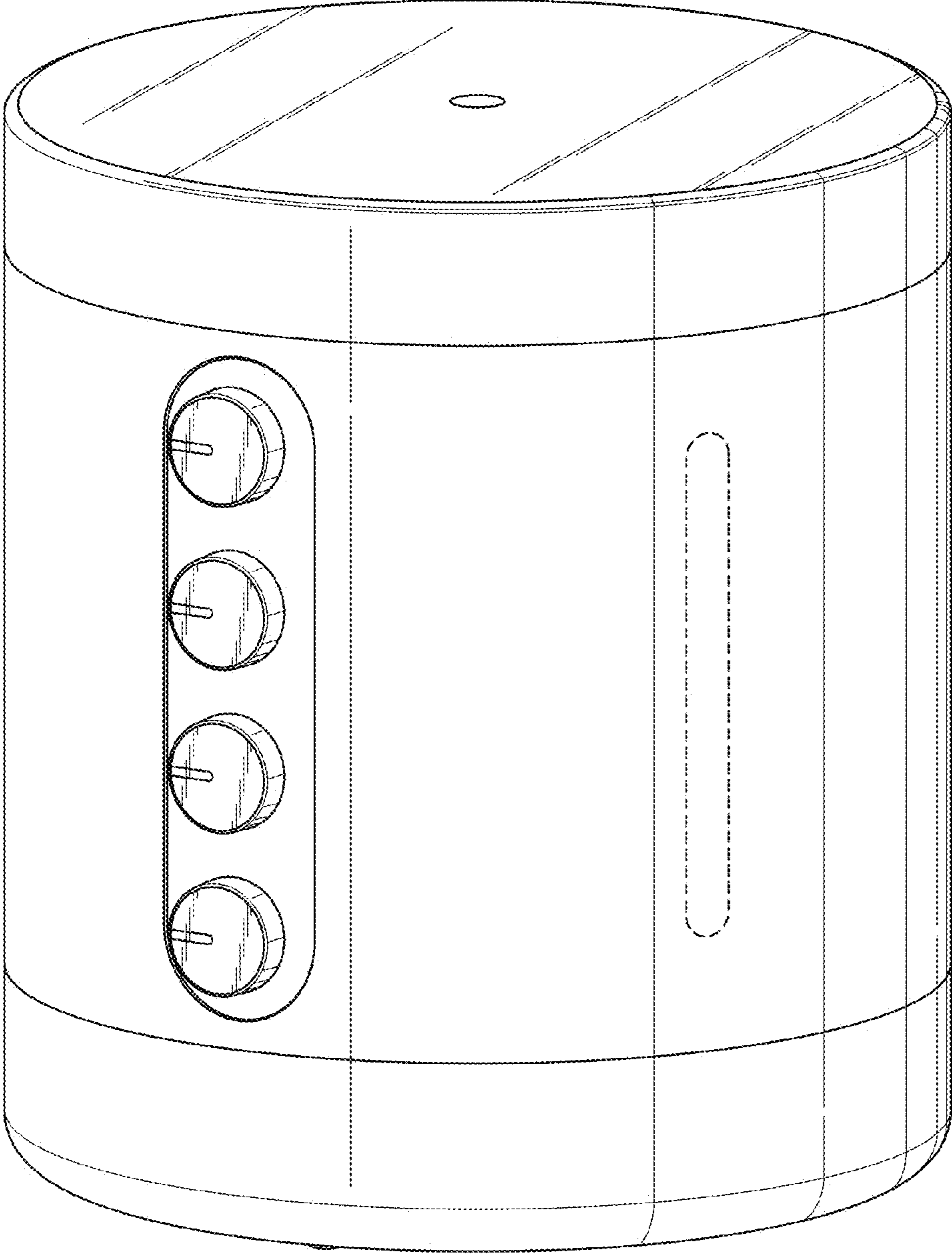


FIG. 1

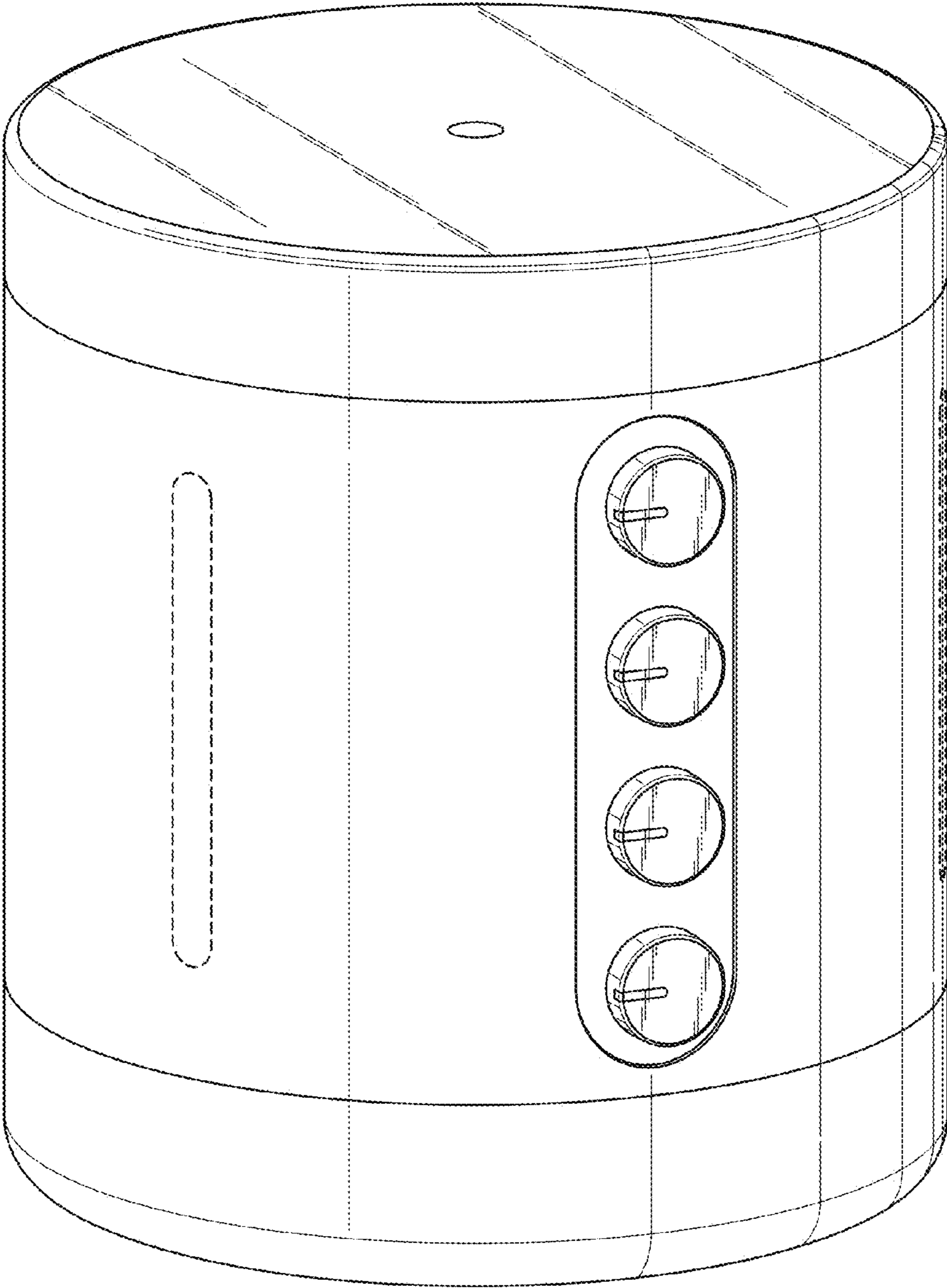


FIG. 2

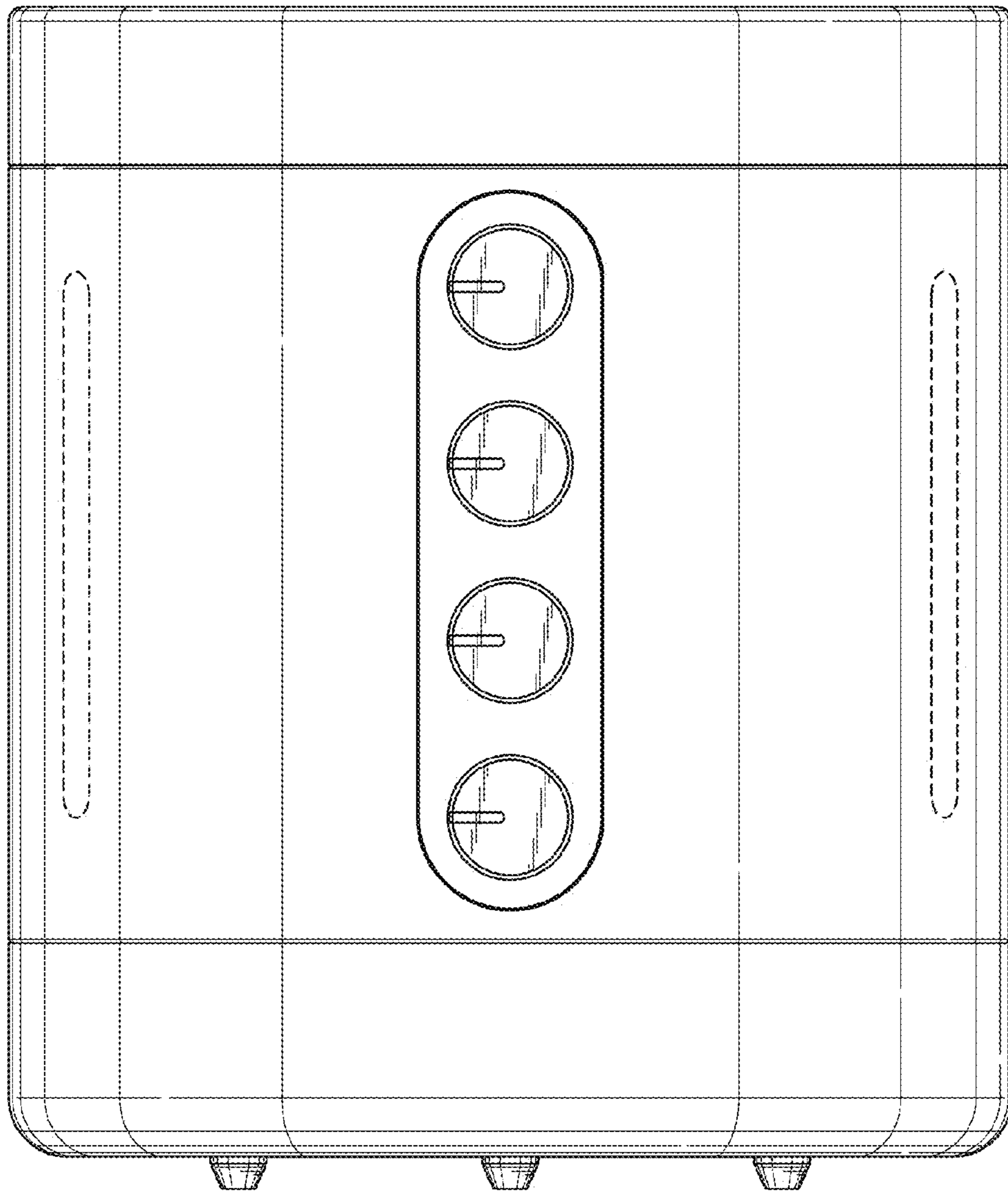


FIG. 3

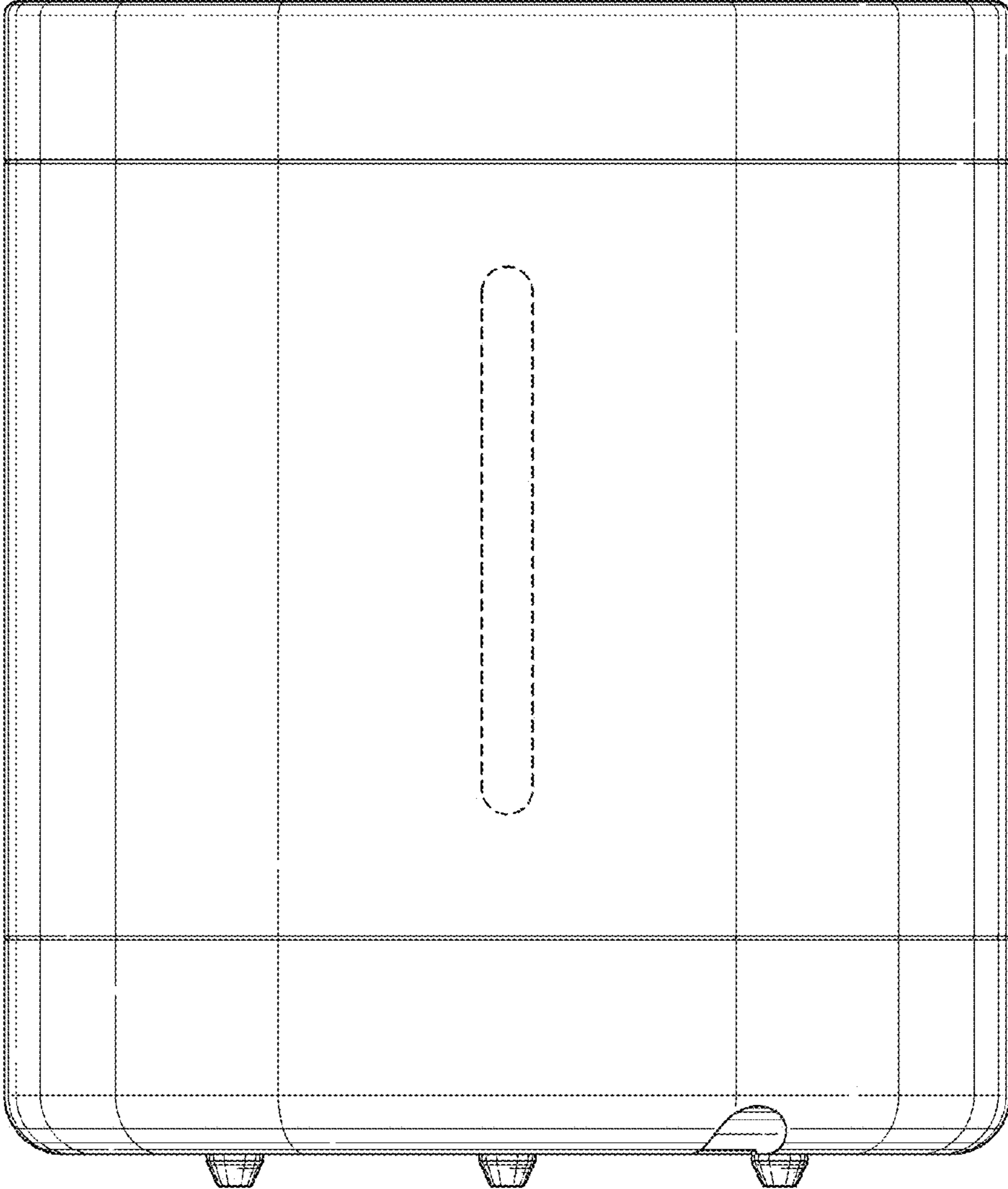


FIG. 4

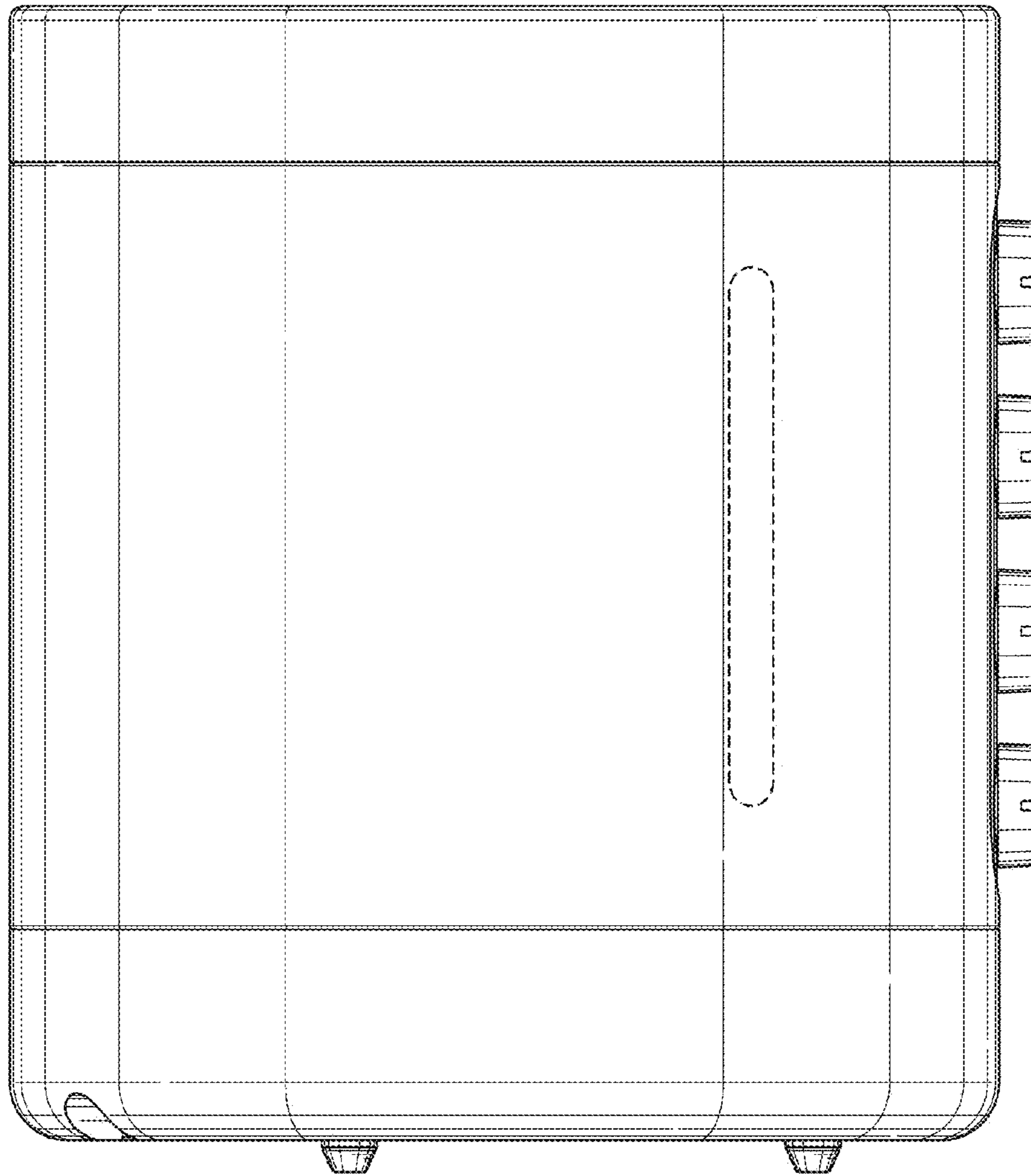


FIG. 5

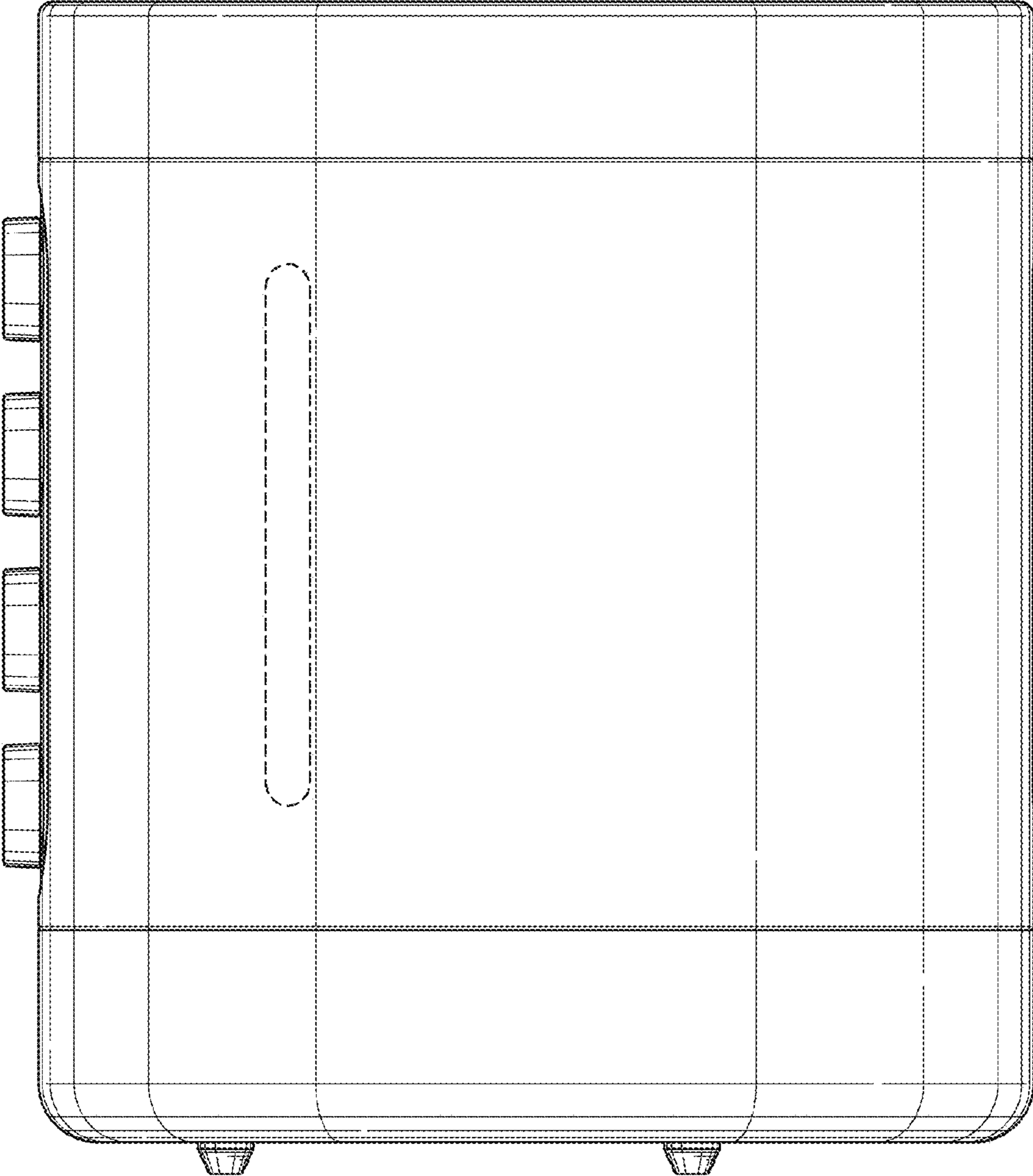


FIG. 6

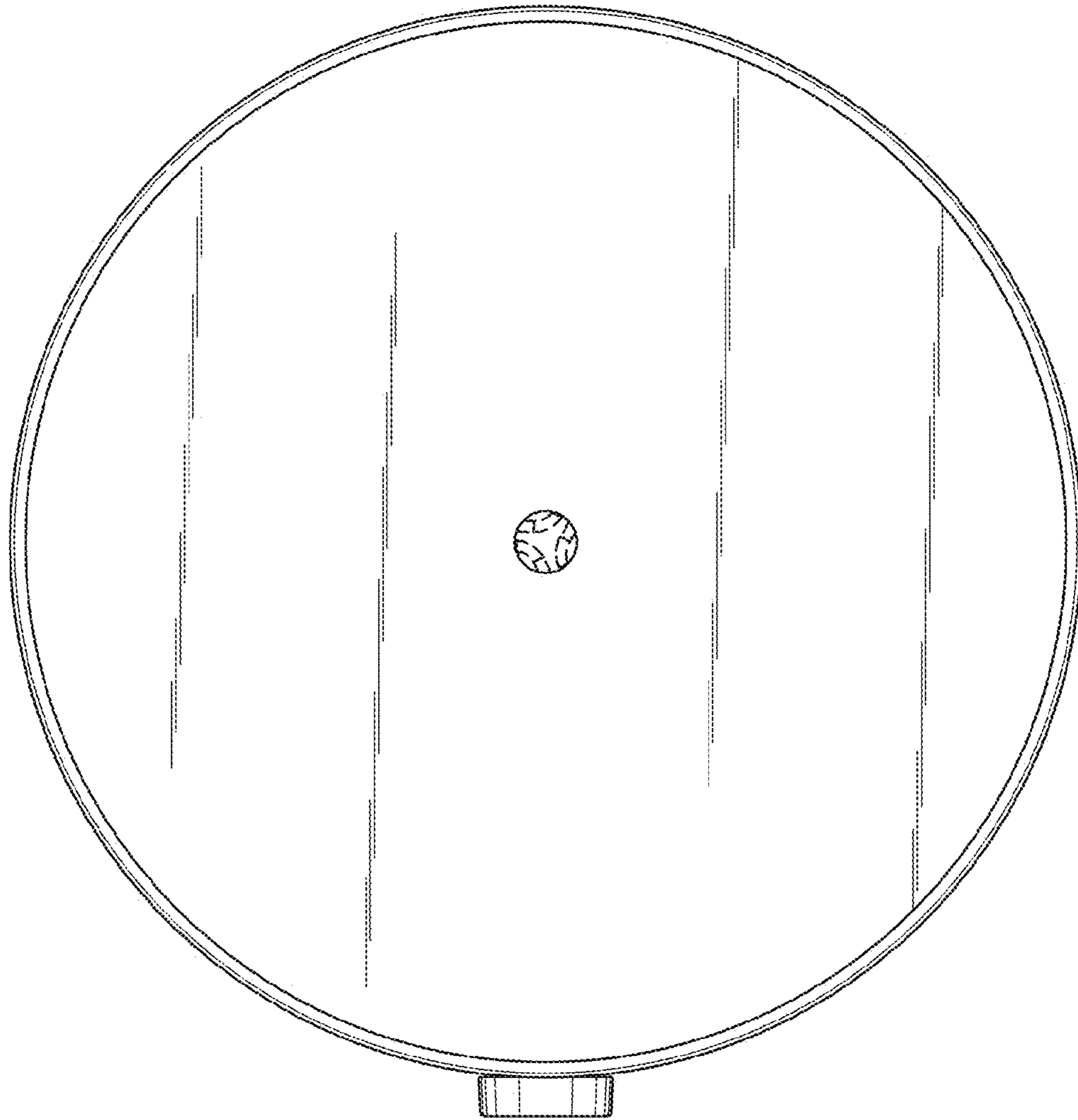


FIG. 7

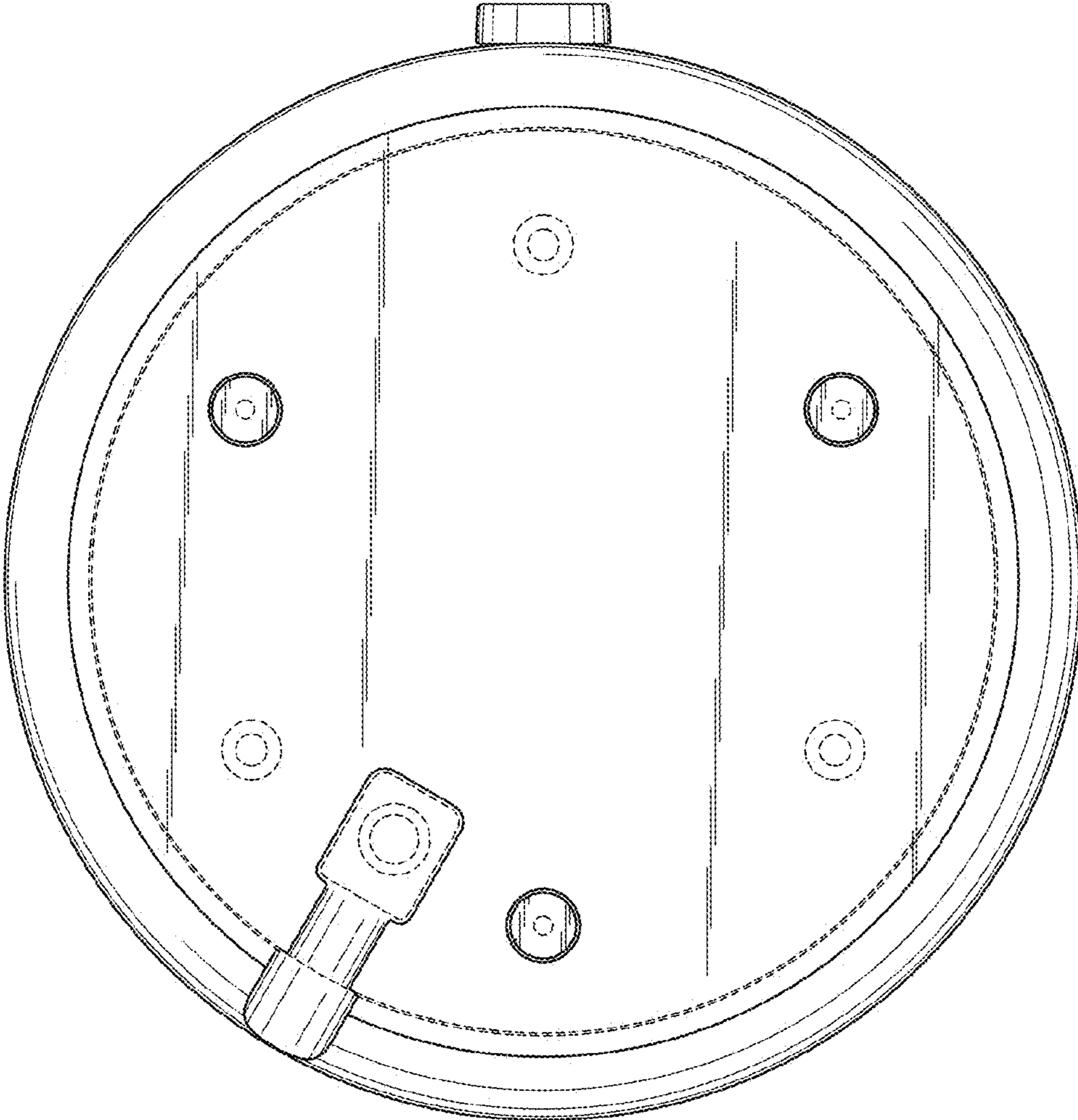


FIG. 8