



US00D757918S

(12) **United States Design Patent**
Messmer et al.

(10) **Patent No.:** **US D757,918 S**
(45) **Date of Patent:** **** May 31, 2016**

(54) **RADIANT HEATER**

(71) Applicant: **MHS Munich Home Systems GmbH**,
Sauerlach (DE)

(72) Inventors: **Robert Messmer**,
Feldkirchen-Westerham (DE); **Lars**
Keussen, Munich (DE); **Thorsten**
Schlesinger, Braunschweig (DE)

(73) Assignee: **MHS Munich Home Systems GmbH**,
Sauerlach (DE)

(**) Term: **14 Years**

(21) Appl. No.: **29/469,501**

(22) Filed: **Oct. 10, 2013**

(30) **Foreign Application Priority Data**

Apr. 10, 2013 (EM) 001 367 296-0003
Apr. 10, 2013 (EM) 001 367 296-0007

(51) **LOC (10) Cl.** **23-03**

(52) **U.S. Cl.**
USPC **D23/341**

(58) **Field of Classification Search**
USPC D23/314, 332, 335-350, 378, 370, 381,
D23/354, 351, 386, 333, 328, 353, 361, 385,
D23/417, 357, 317, 329; 392/365, 367, 424,
392/383, 411, 360, 369, 373-376; 126/183,
126/110 B, 91 A, 92 A, 500, 544, 547;
431/125; 417/158

See application file for complete search history.

(56) **References Cited**

U.S. PATENT DOCUMENTS

D645,128 S * 9/2011 Smith et al. D23/342
D652,124 S * 1/2012 Smith et al. D23/342
D652,125 S * 1/2012 Smith et al. D23/342
D652,126 S * 1/2012 Smith et al. D23/342
D652,127 S * 1/2012 Smith et al. D23/342

D652,128 S * 1/2012 Smith et al. D23/342
D652,129 S * 1/2012 Smith et al. D23/342
D652,495 S * 1/2012 Smith et al. D23/342
D654,577 S * 2/2012 Smith et al. D23/332
D654,579 S * 2/2012 Smith et al. D23/342

OTHER PUBLICATIONS

Office for Harmonization in the Internal Market, Certificate of Reg-
istration for Registered Community Design Application No.
001367296-0003, Registration Date Apr. 10, 2013.

Office for Harmonization in the Internal Market, Certificate of Reg-
istration for Registered Community Design Application No.
001367296-0007, Registration Date Apr. 10, 2013.

* cited by examiner

Primary Examiner — T. Chase Nelson

Assistant Examiner — Ania Aman

(74) *Attorney, Agent, or Firm* — SoCal IP Law Group LLP;
Mark A. Goldstein; M. Kala Sarvaiya

(57) **CLAIM**

We claim the ornamental design for a radiant heater, as shown
and described.

DESCRIPTION

A portion of the disclosure of this patent document contains
material which is subject to copyright protection. The copy-
right owner has no objection to the facsimile reproduction by
anyone of the patent disclosure as it appears in the Patent and
Trademark Office patent files or records, but otherwise
reserves all copyright rights whatsoever.

FIG. 1 is a front perspective view of a radiant heater.

FIG. 2 is a bottom perspective view thereof.

FIG. 3 is a top plan view thereof.

FIG. 4 is a bottom plan view thereof.

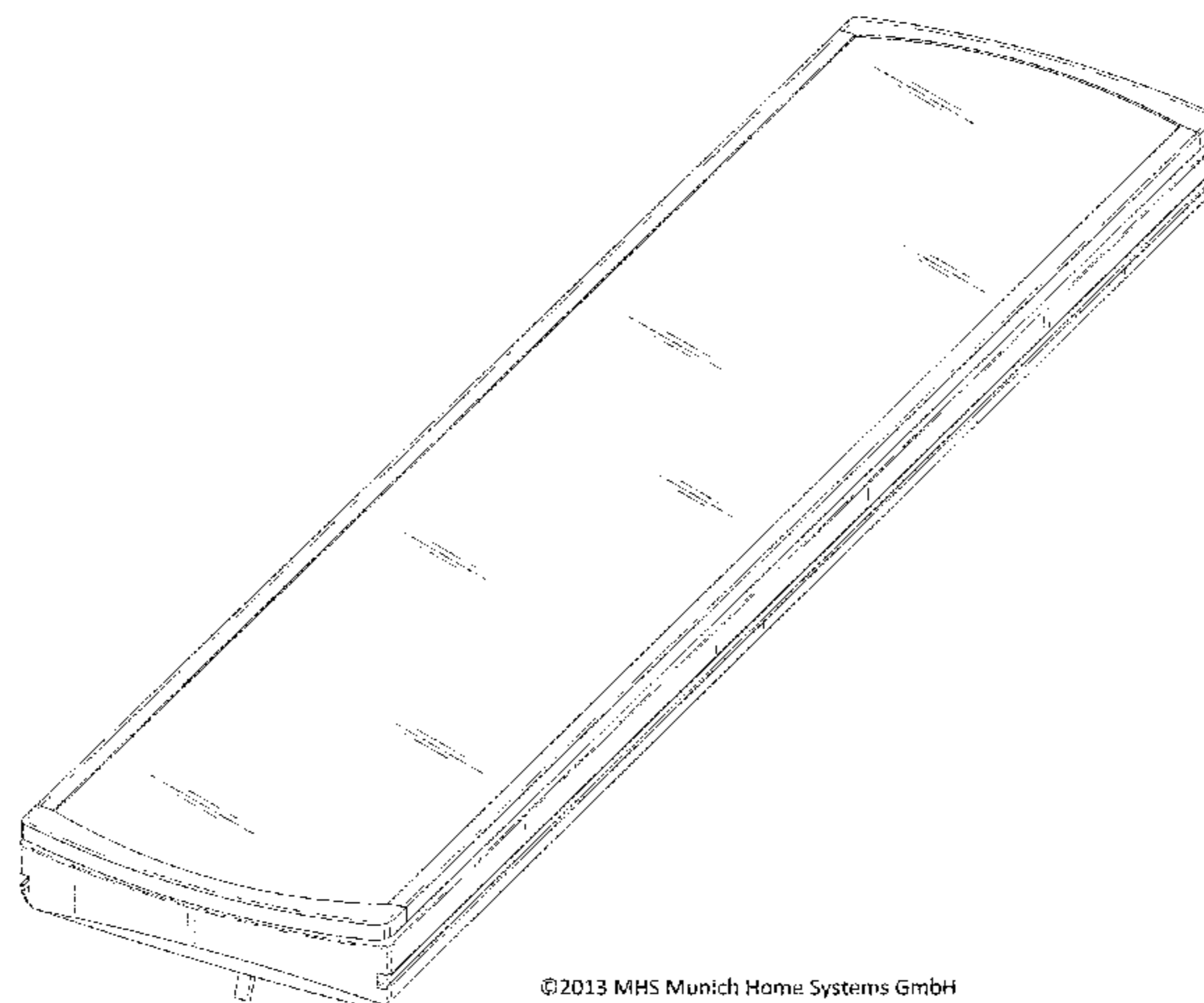
FIG. 5 is a side elevational view thereof.

FIG. 6 is a left side elevational view thereof; and,

FIG. 7 is a right side elevational view thereof.

The broken lines shown in the drawings are for illustrative
purposes only and form no part of the claimed design.

1 Claim, 7 Drawing Sheets



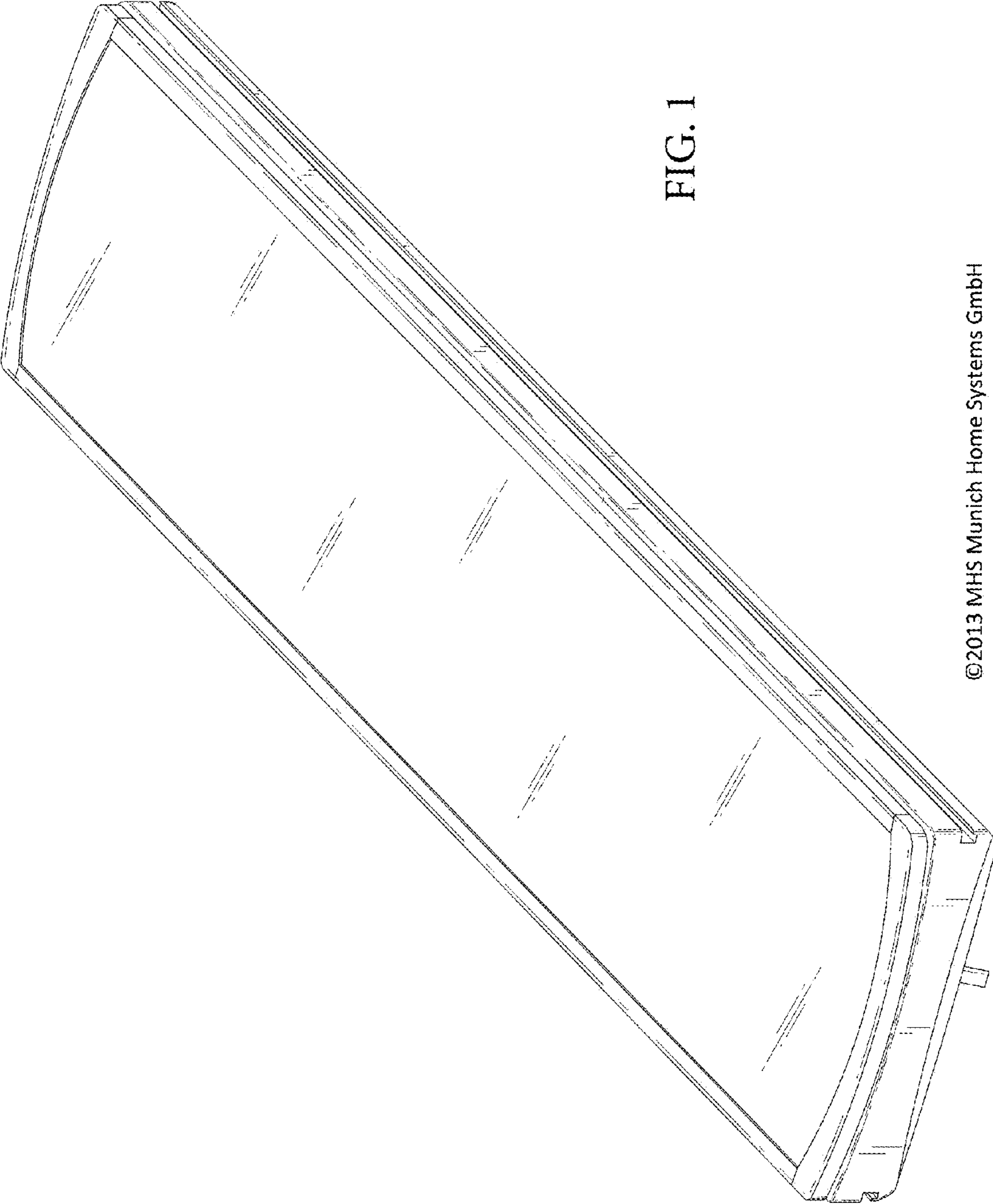


FIG. 1

©2013 MHS Munich Home Systems GmbH

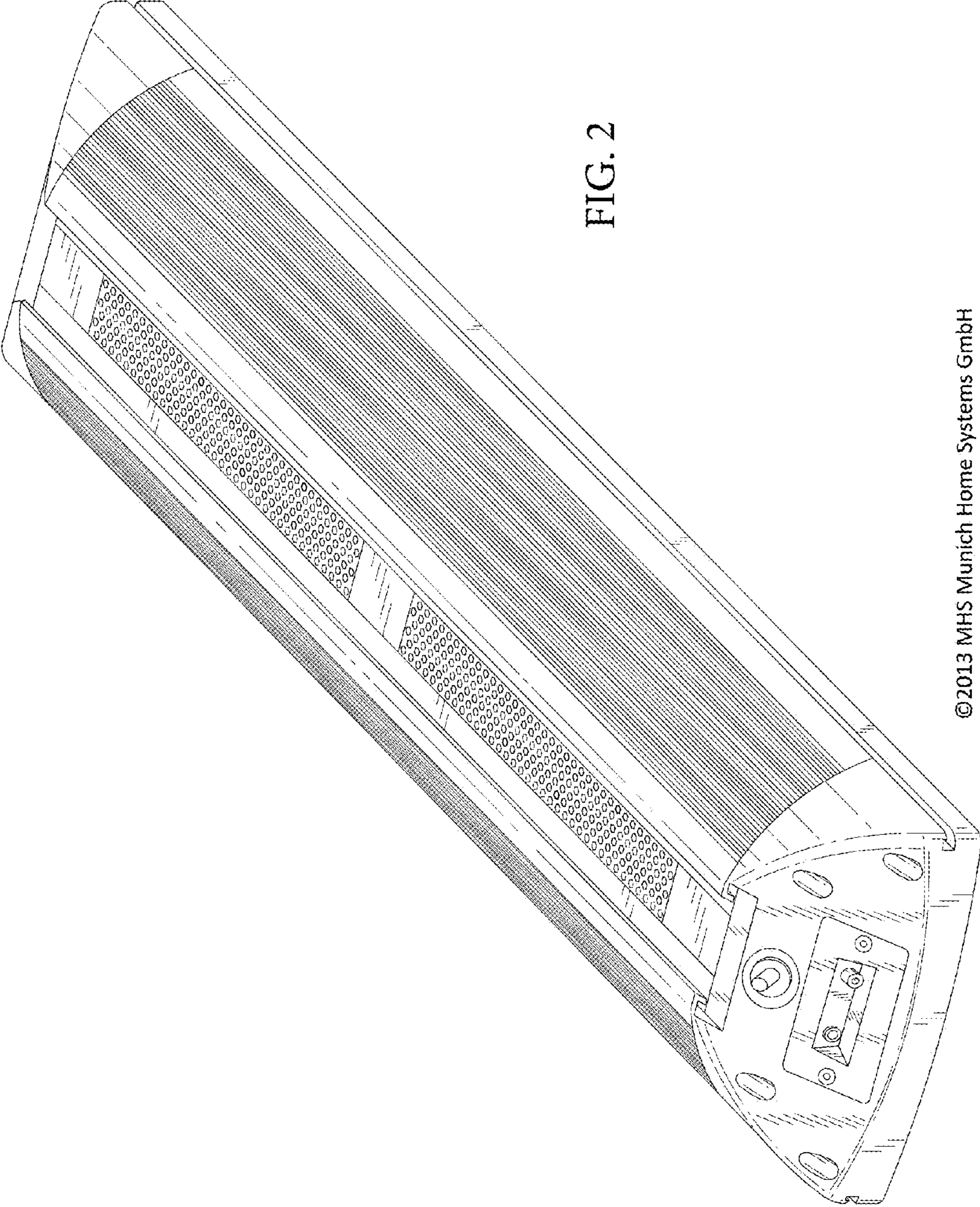


FIG. 2

©2013 MHS Munich Home Systems GmbH

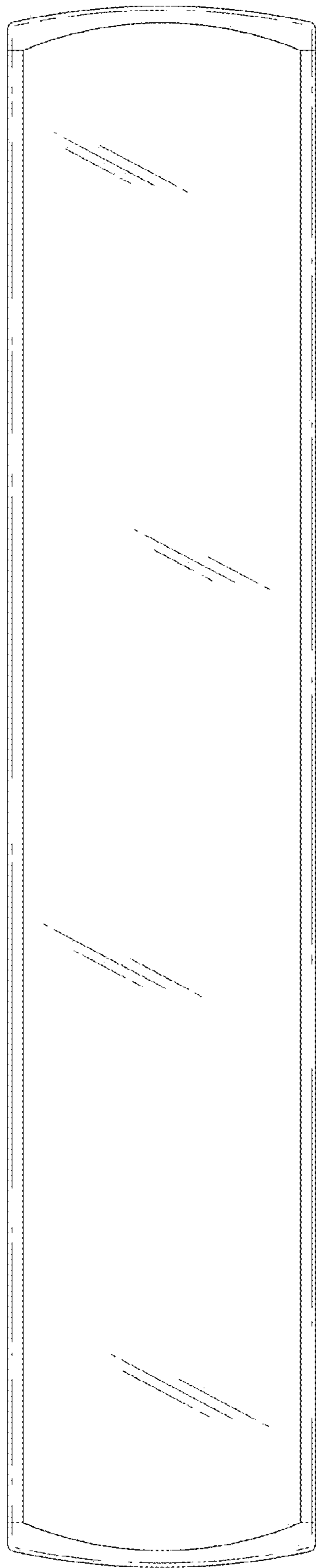


FIG. 3

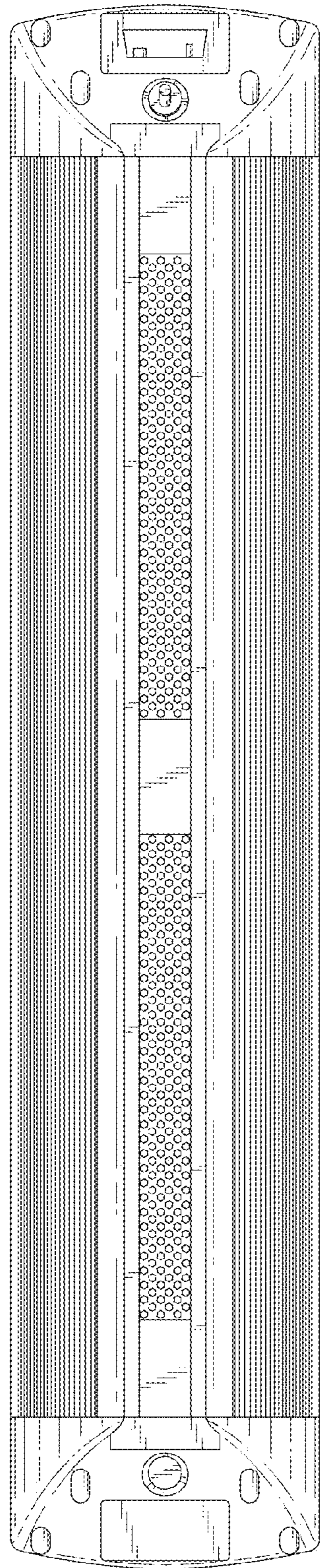


FIG. 4

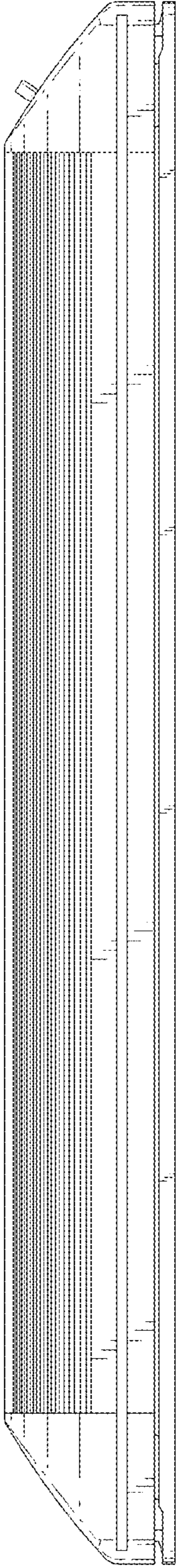


FIG. 5

©2013 MHS Munich Home Systems GmbH

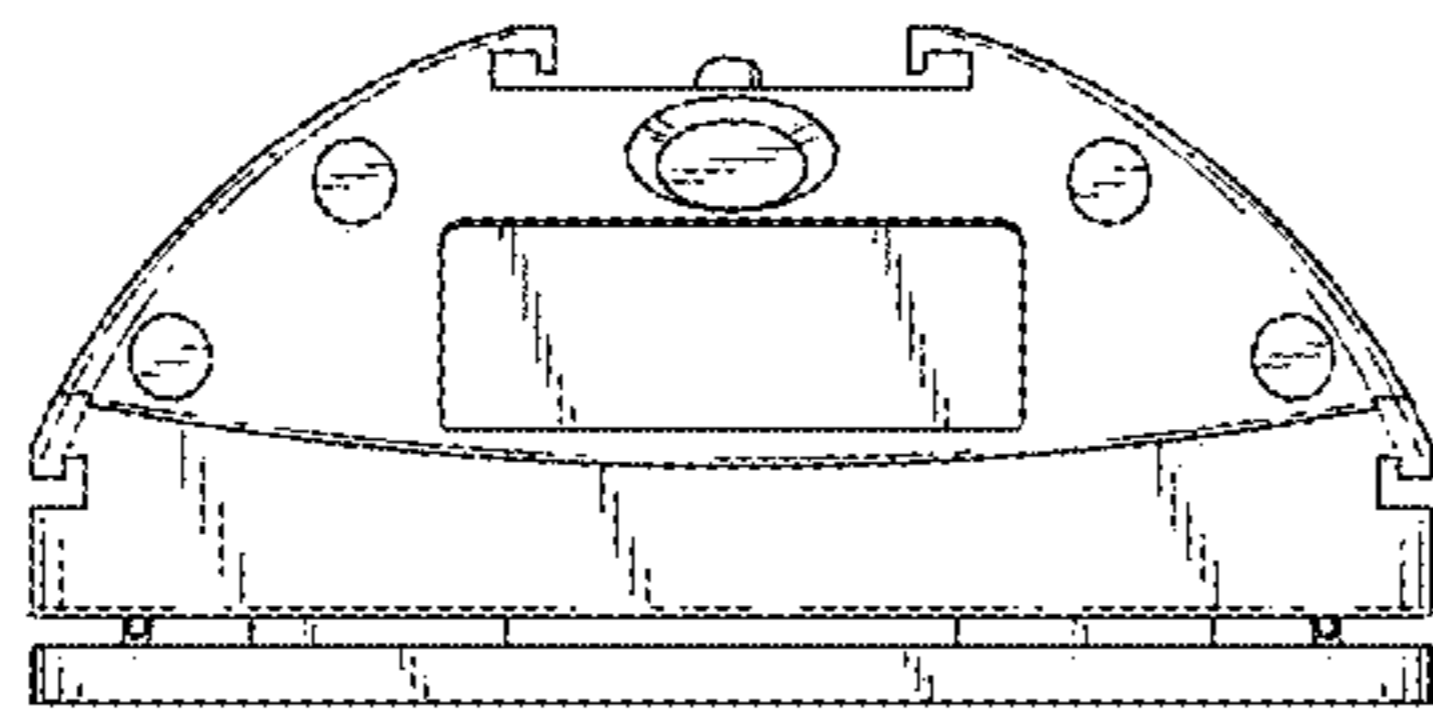


FIG. 6

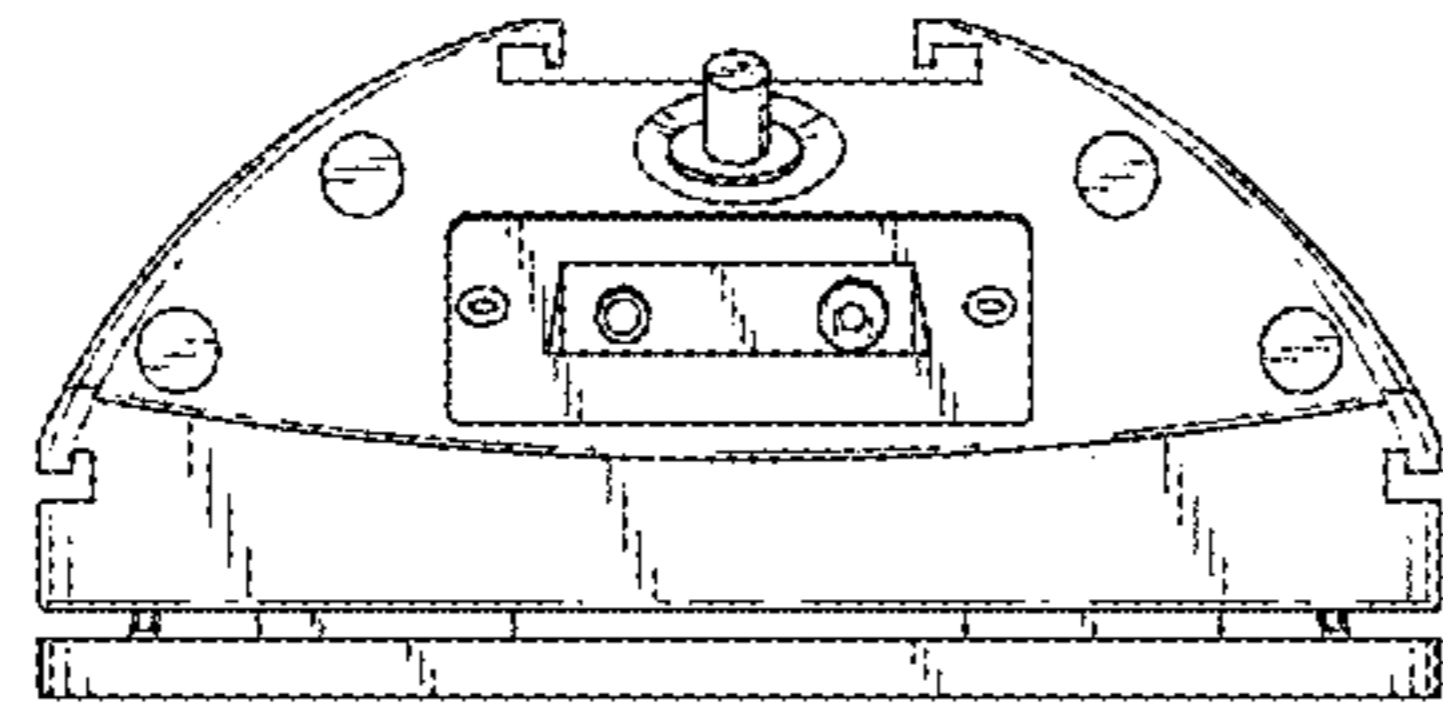


FIG. 7