



US00D757917S

(12) **United States Design Patent**
Min et al.

(10) **Patent No.:** **US D757,917 S**

(45) **Date of Patent:** **** *May 31, 2016**

(54) **ELECTRIC HEATER MOUNTED ON AIR
CONDITIONER FOR VEHICLE**

(71) Applicant: **JAHWA ELECTRONICS CO., LTD.**,
Cheongwon-gun, Chungcheongbuk (KR)

(72) Inventors: **Do Sik Min**, Cheongju-si (KR); **Jong
Up Kim**, Cheongwon-gun (KR); **Jin Su
Park**, Cheongju-si (KR)

(73) Assignee: **Jahwa Electronics Co., Ltd.**, Cheongju,
Chungcheongbuk-do (KR)

(*) Notice: This patent is subject to a terminal dis-
claimer.

(**) Term: **14 Years**

(21) Appl. No.: **29/473,989**

(22) Filed: **Nov. 27, 2013**

(51) **LOC (10) Cl.** **12-16**

(52) **U.S. Cl.**
USPC **D23/324**

(58) **Field of Classification Search**
USPC D23/314, 342, 343, 344, 329, 330, 332,
D23/335, 338, 339, 340, 323, 324; 26/547;
126/92 AC, 92 B, 91 R, 200; 165/499,
165/450, 152, 182, 176, 165, 181, 183;
219/202, 12.3 A

CPC H05B 3/50; H05B 2203/02; H05B 3/14;
H05B 3/0042; F24H 9/1872; F24H 3/0429
See application file for complete search history.

(56) **References Cited**

U.S. PATENT DOCUMENTS

7,012,225	B2 *	3/2006	Bohlender	F24H 3/0429 219/202
7,064,301	B2 *	6/2006	Han	F24H 3/0405 219/202
7,297,901	B2 *	11/2007	Lee	B60H 1/2225 219/202
7,378,614	B2 *	5/2008	Lee	F24H 3/0405 219/202

7,667,165	B2 *	2/2010	Bohlender	B60H 1/2225 219/201
7,977,607	B2 *	7/2011	Colette	F24H 3/0405 165/148
8,084,721	B2 *	12/2011	Mori	H05B 3/50 219/202
8,443,873	B2 *	5/2013	Nanaumi	B60H 1/0005 165/202
2005/0056637	A1 *	3/2005	Bohlender	F24H 3/0429 219/536
2005/0072774	A1 *	4/2005	Bohlender	B60H 1/2225 219/548
2005/0175328	A1 *	8/2005	Pierron	B60H 1/2225 392/347
2007/0045274	A1 *	3/2007	Lee	F24H 3/0405 219/222
2007/0095809	A1 *	5/2007	Lee	B60H 1/2225 219/222
2007/0114217	A1 *	5/2007	Bohlender	F24H 3/0405 219/202

(Continued)

Primary Examiner — T. Chase Nelson

Assistant Examiner — Ania Aman

(74) *Attorney, Agent, or Firm* — Mintz Levin Cohn Ferris
Glovsky and Popeo, P.C.; Kongsik Kim; Derek E.
Constantine

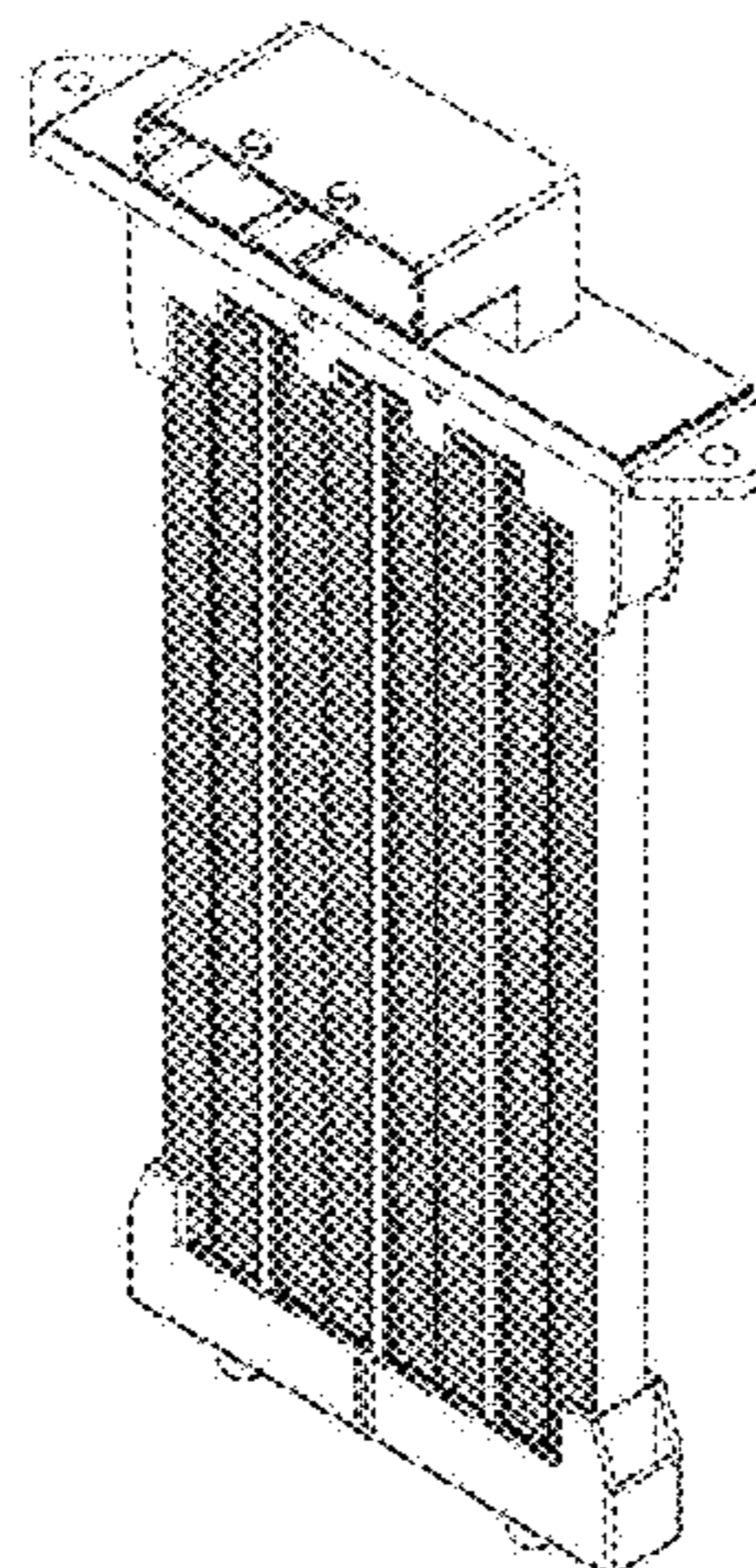
(57) **CLAIM**

The ornamental design for an electric heater mounted on air
conditioner for vehicle, as shown and described.

DESCRIPTION

FIG. 1 is a perspective view of the electric heater mounted on
air conditioner for vehicle of my new design;
FIG. 2 is a front elevational view thereof;
FIG. 3 is a rear elevational view thereof;
FIG. 4 is a left side elevational view thereof;
FIG. 5 is a right side elevational view thereof;
FIG. 6 is a top plan view thereof;
FIG. 7 is a bottom plan view thereof; and,
FIG. 8 is a rear perspective view thereof.
The broken lines shown in FIGS. 2 and 7 are for the purpose
of illustrating portions of the article that form no part of the
claimed design.

1 Claim, 7 Drawing Sheets



(56)

References Cited

U.S. PATENT DOCUMENTS

2007/0187384	A1 *	8/2007	Colette	F24H 3/0405 219/216	2011/0127247	A1 *	6/2011	Choi	B60H 1/2225 219/202
2009/0139983	A1 *	6/2009	Luppold	B60H 1/2225 219/530	2012/0061366	A1 *	3/2012	Kohl	F24H 3/0429 219/202
2009/0255914	A1 *	10/2009	Bohlender	F24H 3/0405 219/202	2013/0146264	A1 *	6/2013	Kim et al.	165/158
2009/0314764	A1 *	12/2009	Mori	F24H 3/0405 219/520	2013/0264039	A1 *	10/2013	Kis et al.	165/173
2010/0122978	A1 *	5/2010	Oh	H05B 3/50 219/540	2014/0124494	A1 *	5/2014	Wei	H05B 3/24 219/202
					2014/0231411	A1 *	8/2014	Gatinois	F24H 1/009 219/540

* cited by examiner

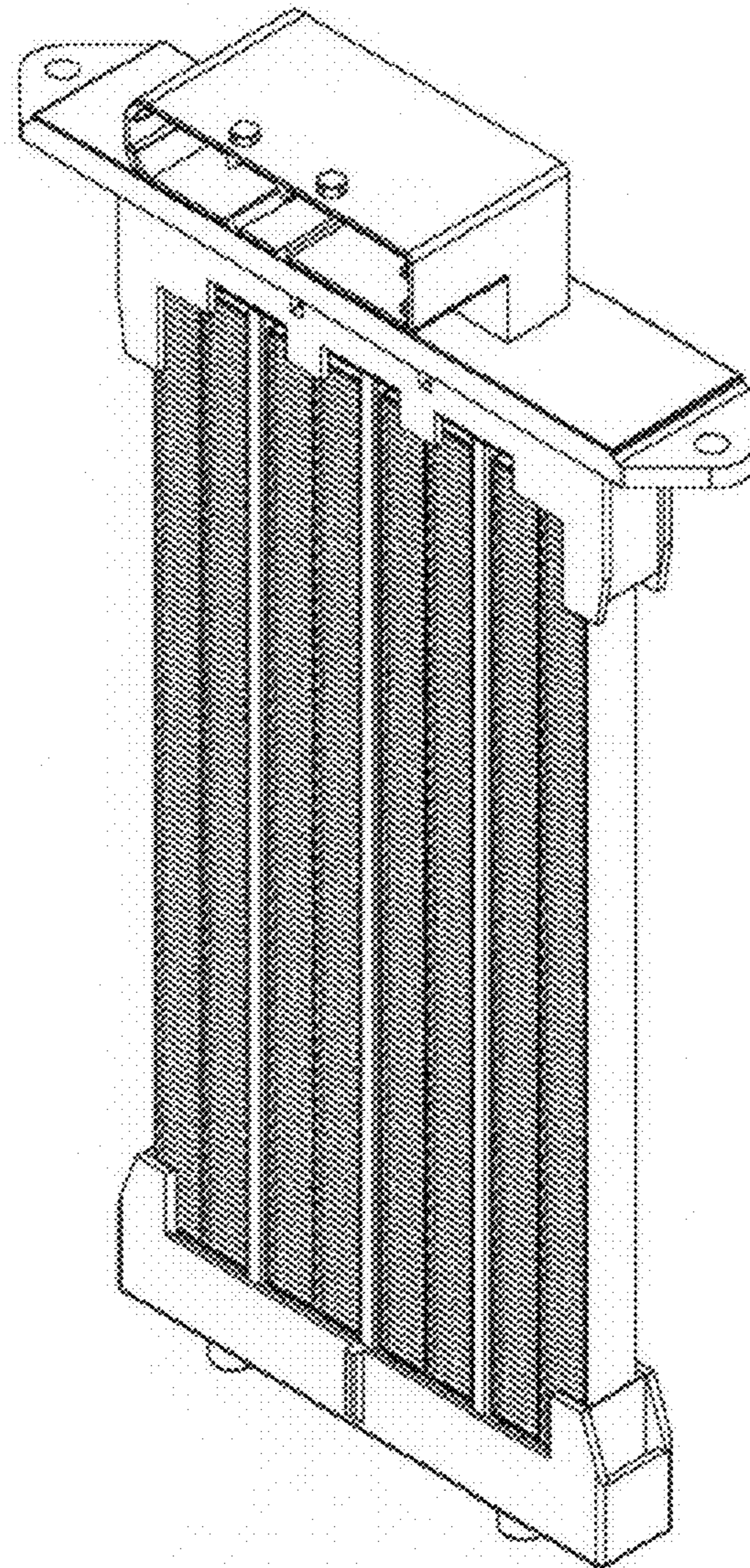
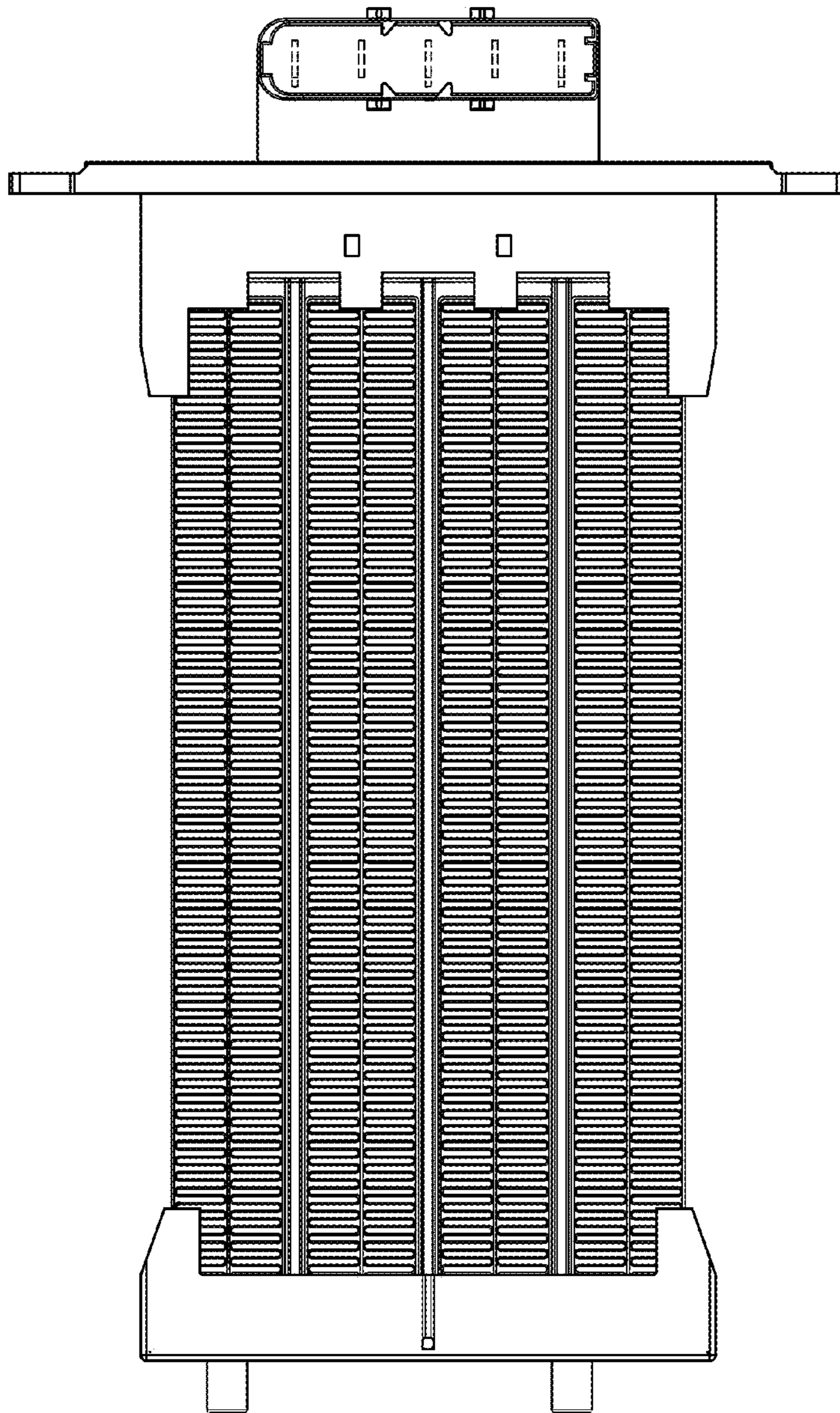


FIG. 1

FIG. 2



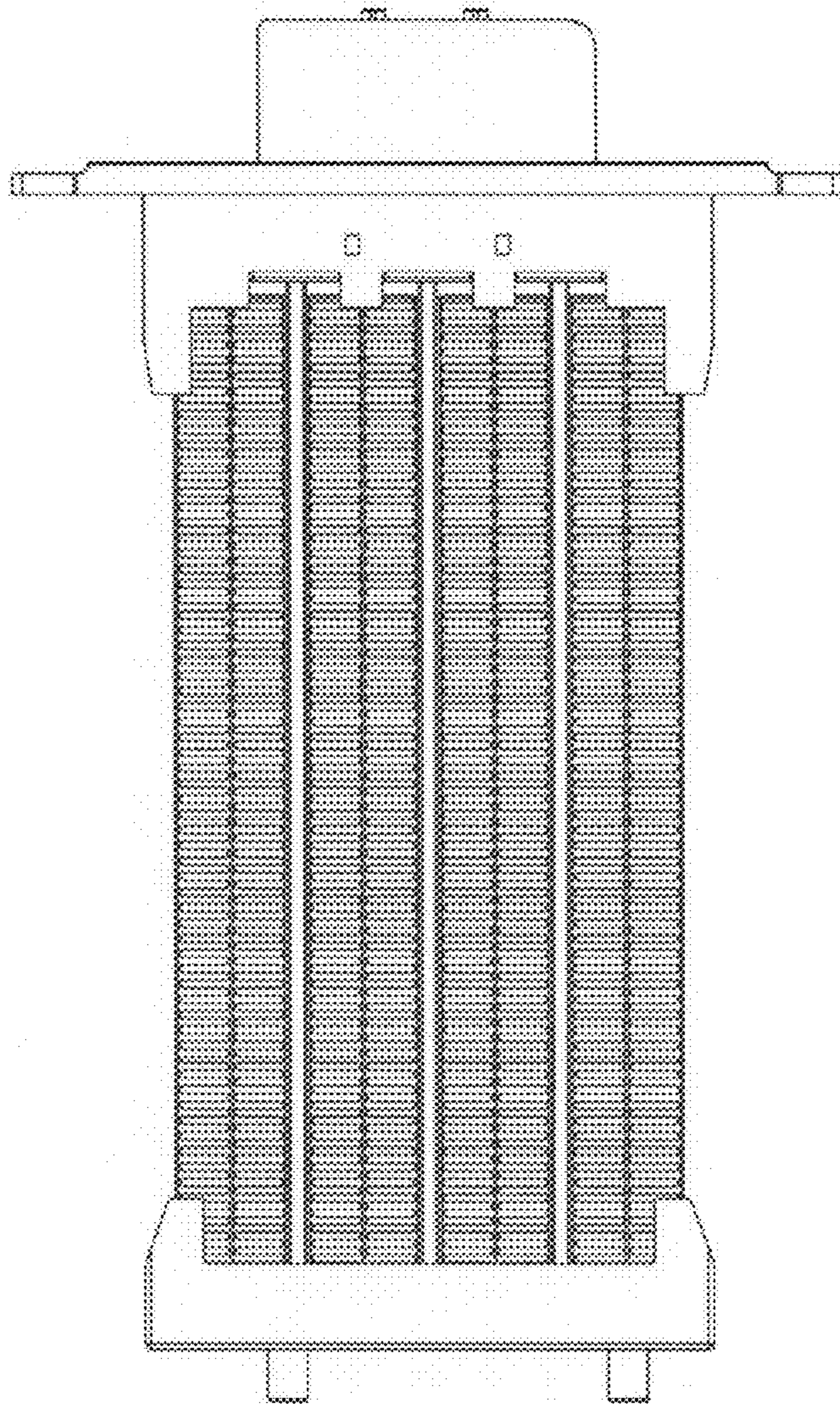


FIG. 3

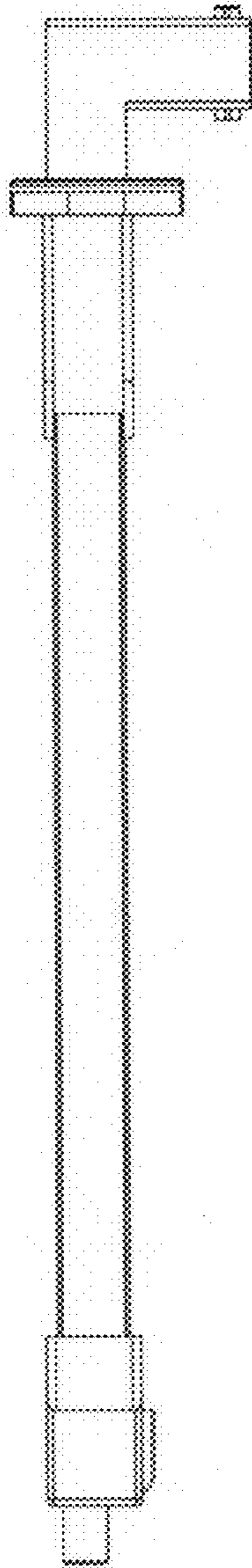


FIG. 4

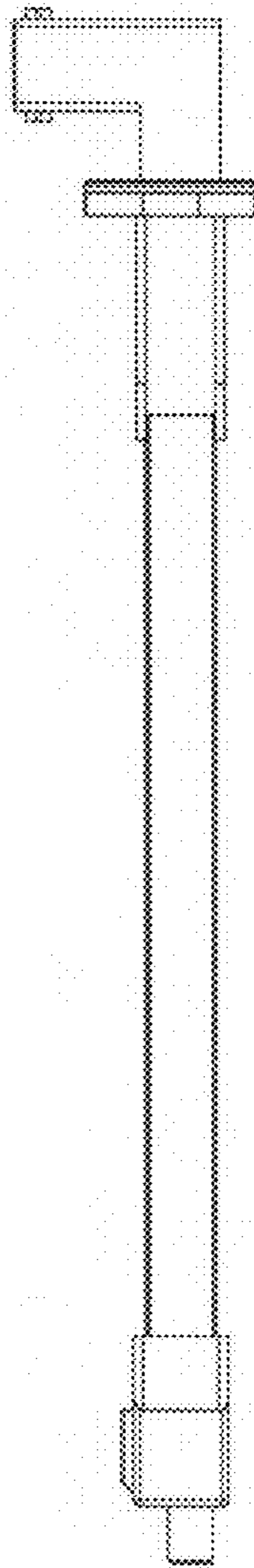


FIG. 5

FIG. 6

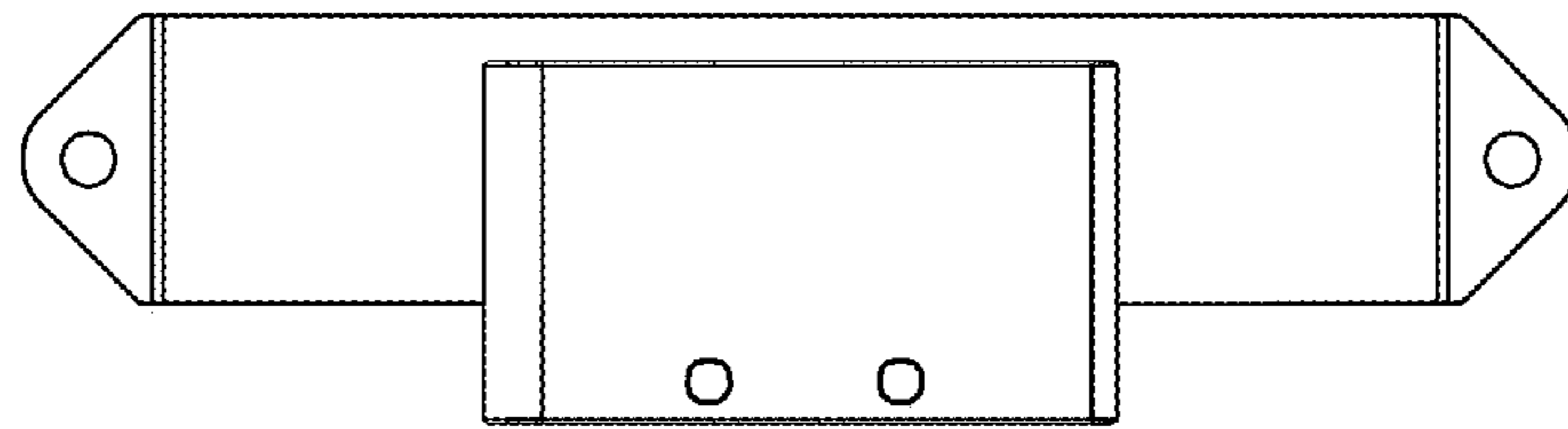
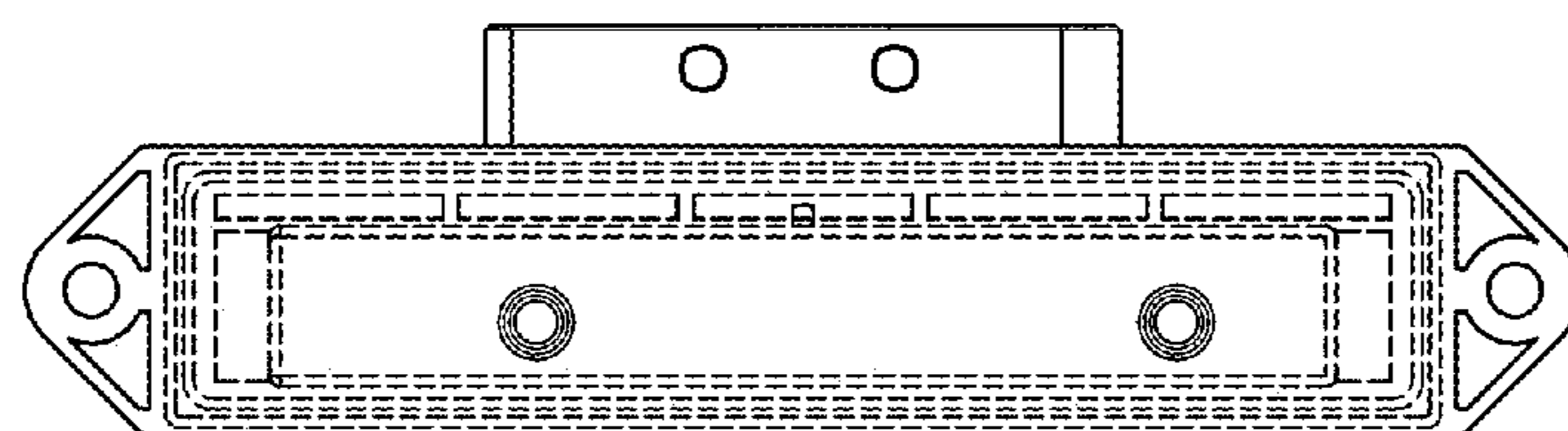


FIG. 7



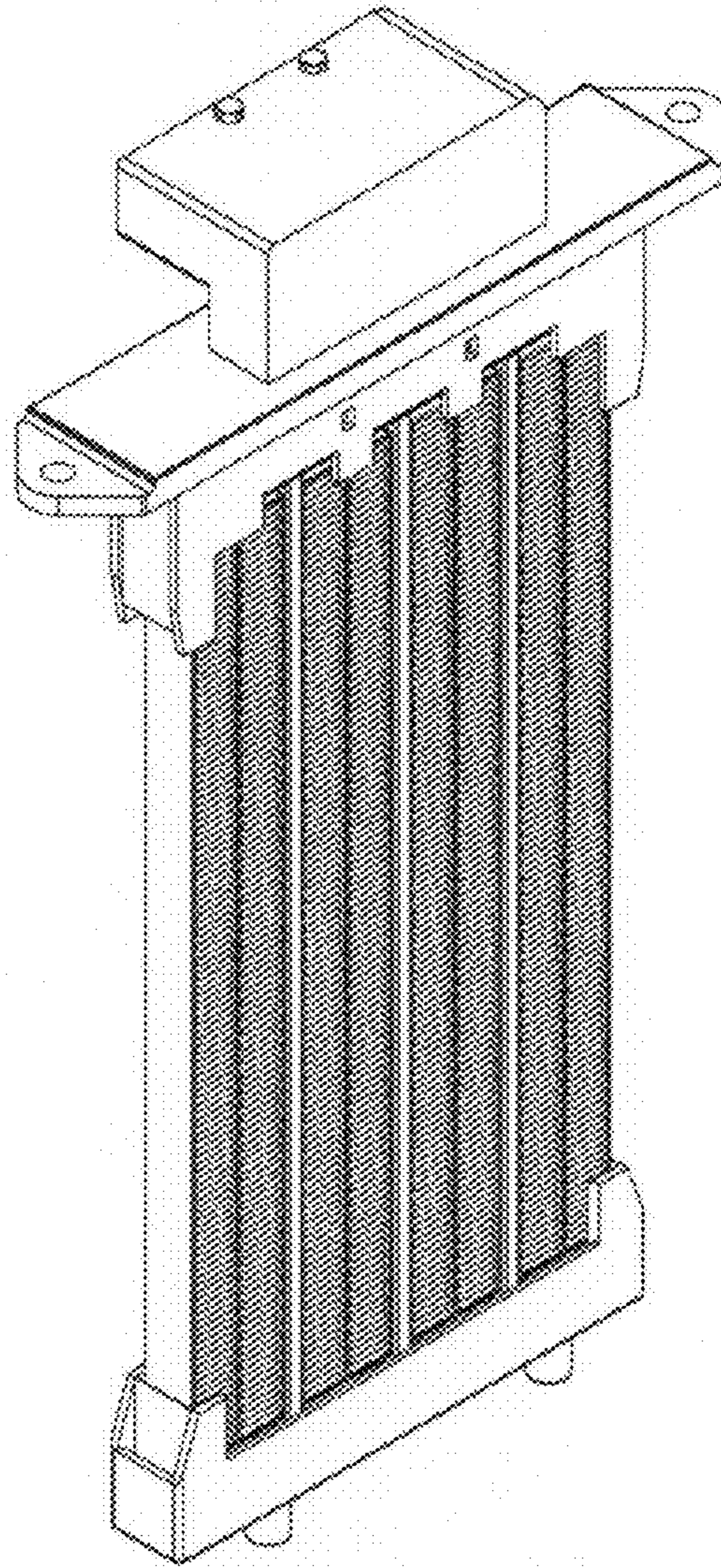


FIG. 8