



US00D757915S

(12) **United States Design Patent**  
**Morikawa et al.**

(10) **Patent No.:** **US D757,915 S**

(45) **Date of Patent:** **\*\* May 31, 2016**

(54) **HEAT EXCHANGER TUBE HOLDING  
FIXTURE**

(71) Applicant: **Mitsubishi Electric Corporation,**  
Chiyoda-Ku, Tokyo (JP)

(72) Inventors: **Yudai Morikawa,** Chiyoda-Ku (JP);  
**Tomoki Inagaki,** Chiyoda-Ku (JP);  
**Hiroki Okazawa,** Chiyoda-Ku (JP)

(73) Assignee: **Mitsubishi Electric Corporation,**  
Tokyo (JP)

(\*\*) Term: **14 Years**

(21) Appl. No.: **29/471,175**

(22) Filed: **Oct. 29, 2013**

(30) **Foreign Application Priority Data**

May 24, 2013 (JP) ..... 2013-011421  
May 24, 2013 (JP) ..... 2013-011422

(51) **LOC (10) Cl.** ..... **23-03**

(52) **U.S. Cl.**  
USPC ..... **D23/314**

(58) **Field of Classification Search**  
USPC ..... D23/328, 262, 322, 314, 323; 165/175,  
165/104.14, 154, 178, 42  
See application file for complete search history.

(56) **References Cited**

**U.S. PATENT DOCUMENTS**

3,285,334 A \* 11/1966 Pasternak ..... F28D 7/0016  
165/172  
4,871,074 A \* 10/1989 Bryson ..... A45D 20/12  
211/26  
D331,194 S \* 11/1992 Pezzoli ..... D9/434  
D331,698 S \* 12/1992 Pezzoli ..... D9/434  
5,485,879 A \* 1/1996 Lannes ..... F24D 3/082  
122/15.1

5,626,379 A \* 5/1997 Scott ..... A47B 81/005  
211/195  
D406,749 S \* 3/1999 Selk ..... D8/356  
D410,767 S \* 6/1999 Carroll ..... D28/73  
D428,533 S \* 7/2000 Carroll ..... D28/73  
D537,332 S \* 2/2007 Nagle ..... D8/396  
D538,180 S \* 3/2007 Horton ..... D9/752  
H2203 H \* 10/2007 Borchardt ..... D8/396  
D568,254 S \* 5/2008 Patchett ..... D13/155  
8,151,871 B2 \* 4/2012 Forster ..... F28D 1/05366  
165/173  
D680,773 S \* 4/2013 Tebbe ..... D6/682.4

\* cited by examiner

*Primary Examiner* — T. Chase Nelson

*Assistant Examiner* — Ania Aman

(74) *Attorney, Agent, or Firm* — Sughrue Mion, PLLC;  
Richard C. Turner

(57) **CLAIM**

The ornamental design for a heat exchanger tube holding  
fixture, as shown and described.

**DESCRIPTION**

FIG. 1 is a front, top and left side perspective view of a heat  
exchanger tube holding fixture, showing our new design;  
FIG. 2 is a front, top and right side perspective view thereof;  
FIG. 3 is a front elevational view thereof;  
FIG. 4 is a rear elevational view thereof;  
FIG. 5 is a left side elevational view thereof;  
FIG. 6 is a right side elevational view thereof;  
FIG. 7 is a top plan view thereof;  
FIG. 8 is a bottom plan view thereof;  
FIG. 9 is a reference view showing the invention in use; and,  
FIG. 10 is a reference enlarged view thereof; taken along lines  
**10-10** of FIG. 9.

The broken lines in all views depict environmental subject  
matter only and form no part of the claimed design.

**1 Claim, 6 Drawing Sheets**

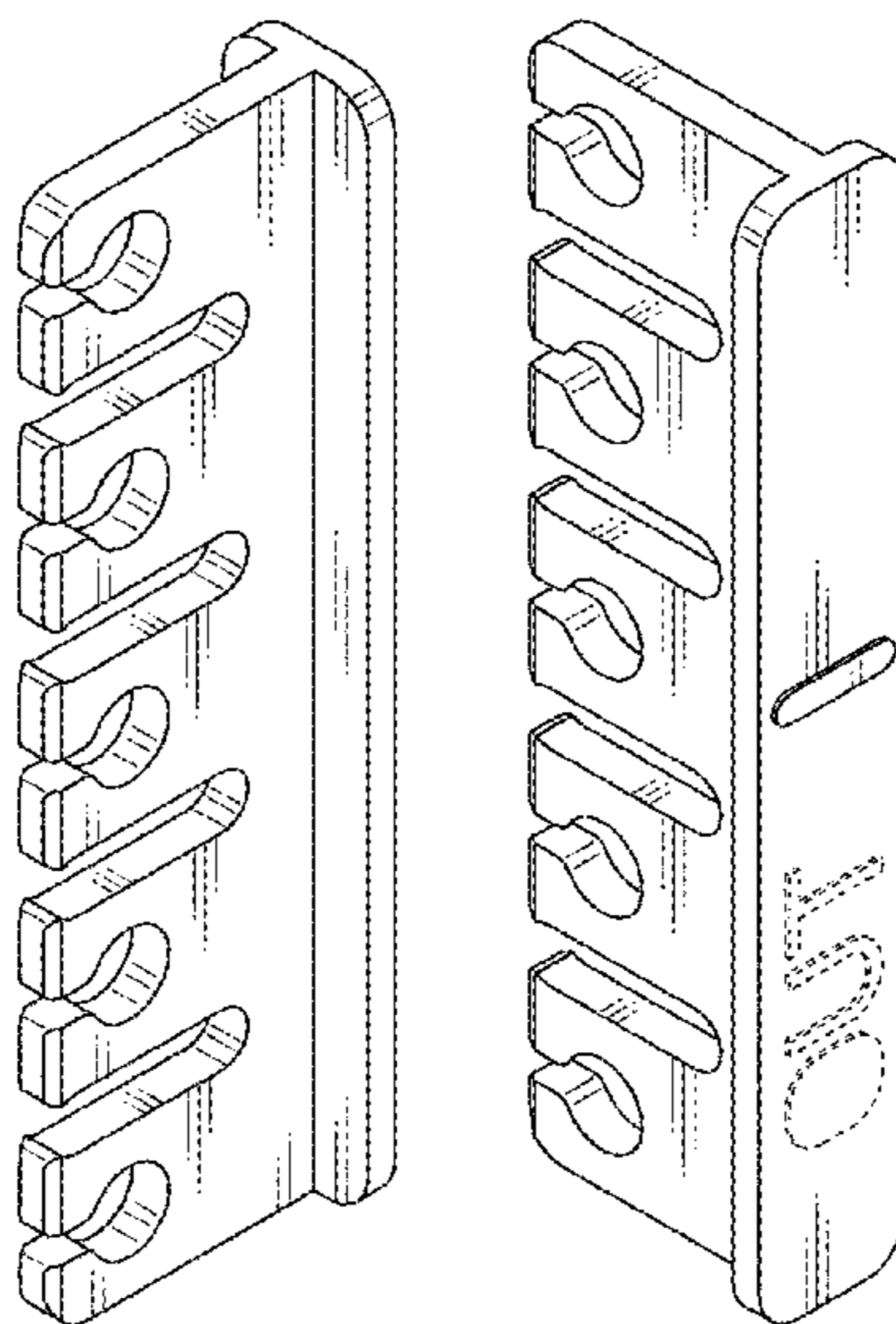


Fig. 1

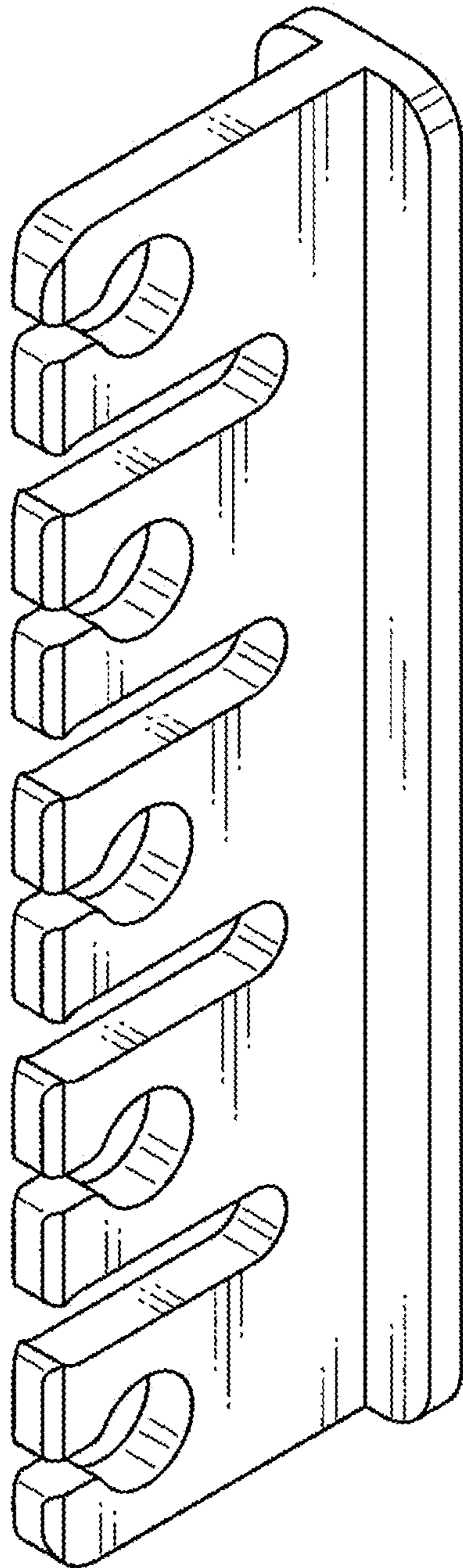


Fig. 2

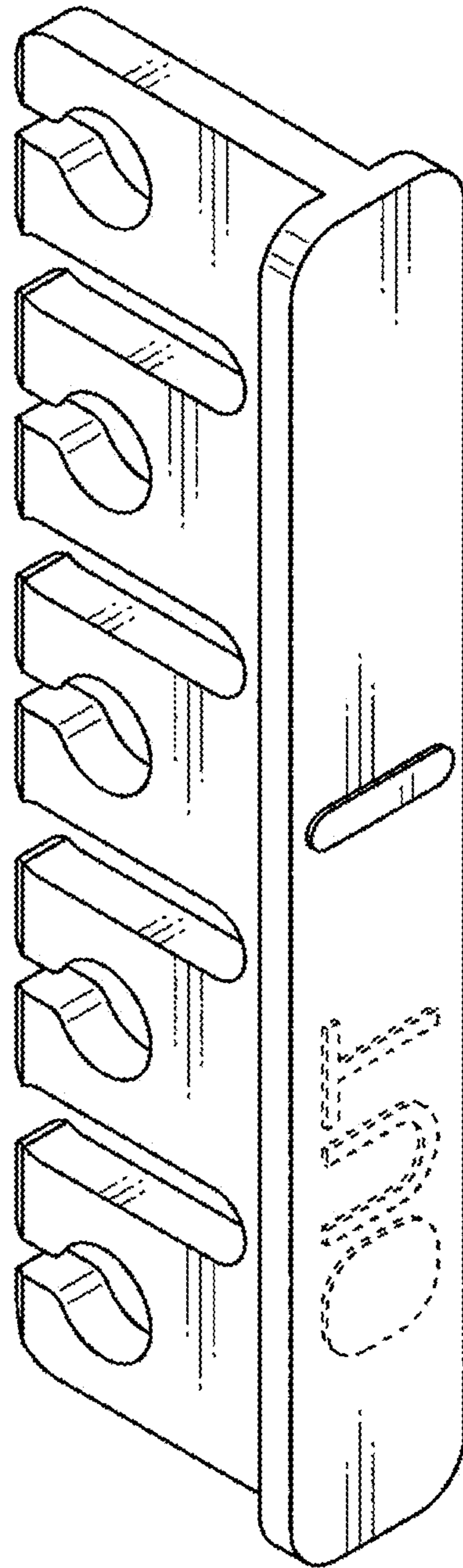


Fig. 3

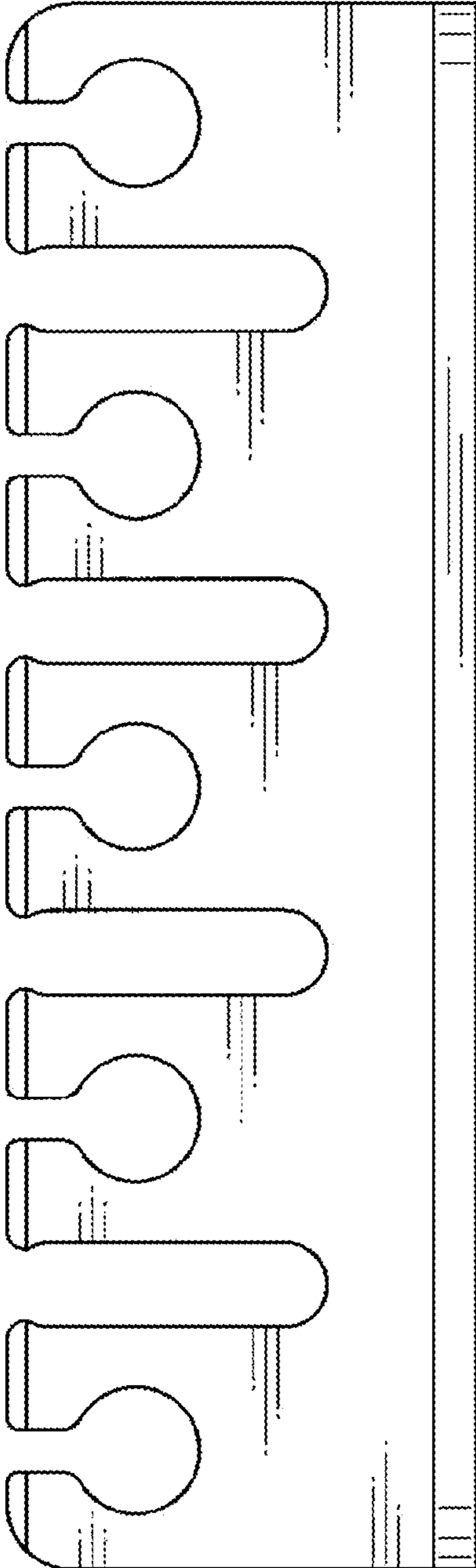


Fig. 4

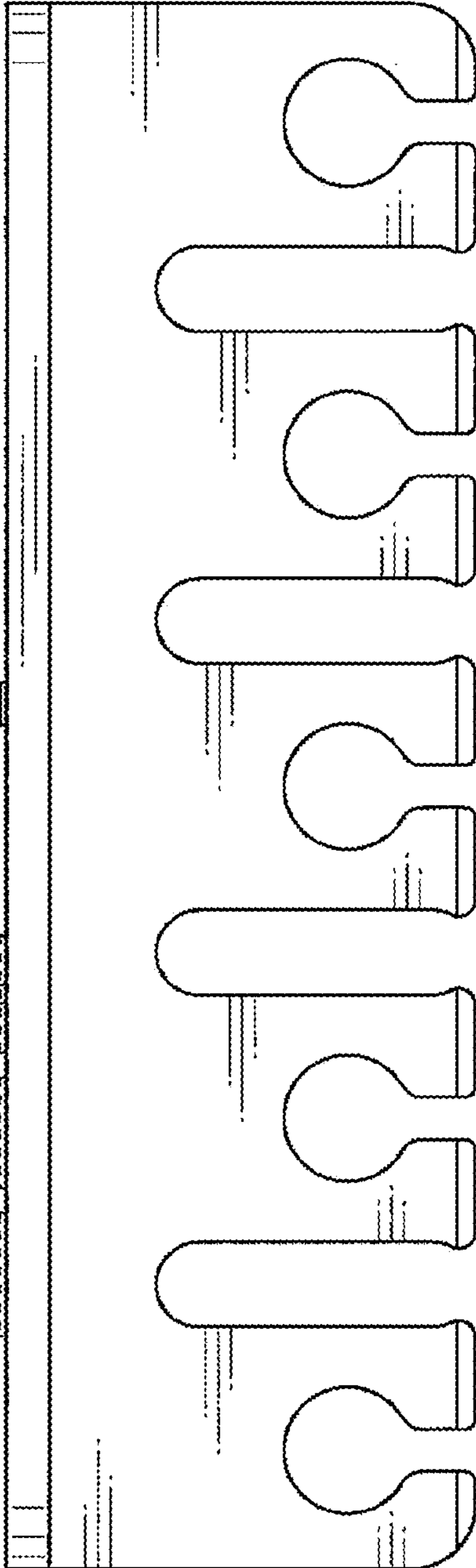


Fig. 5

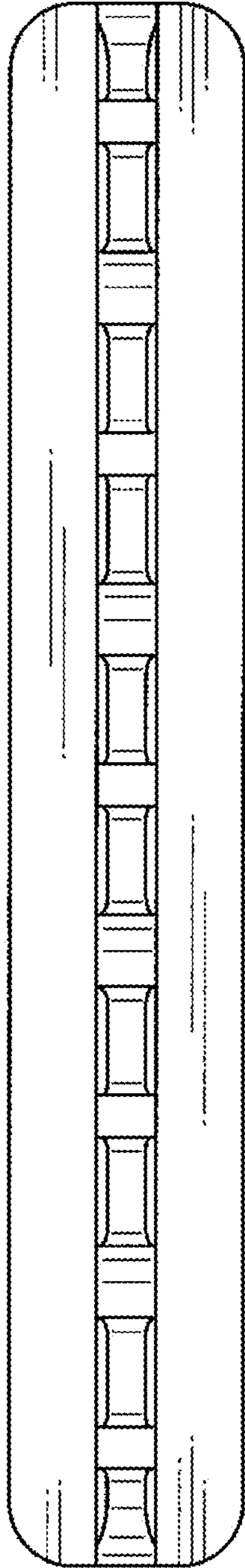


Fig. 6

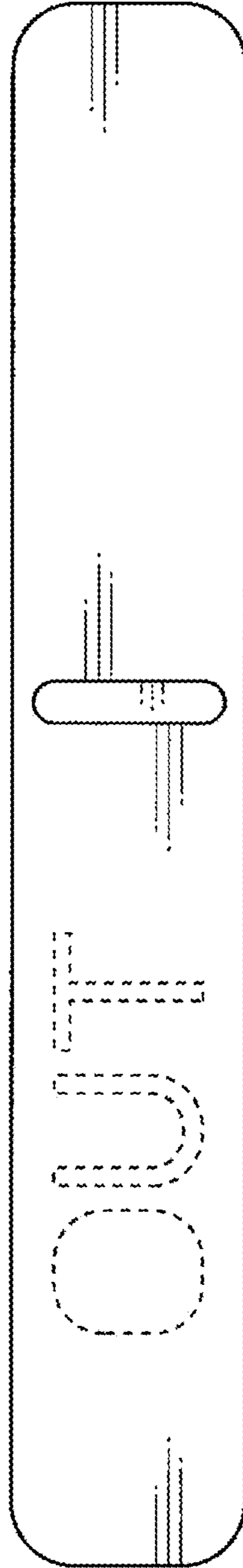


Fig. 7

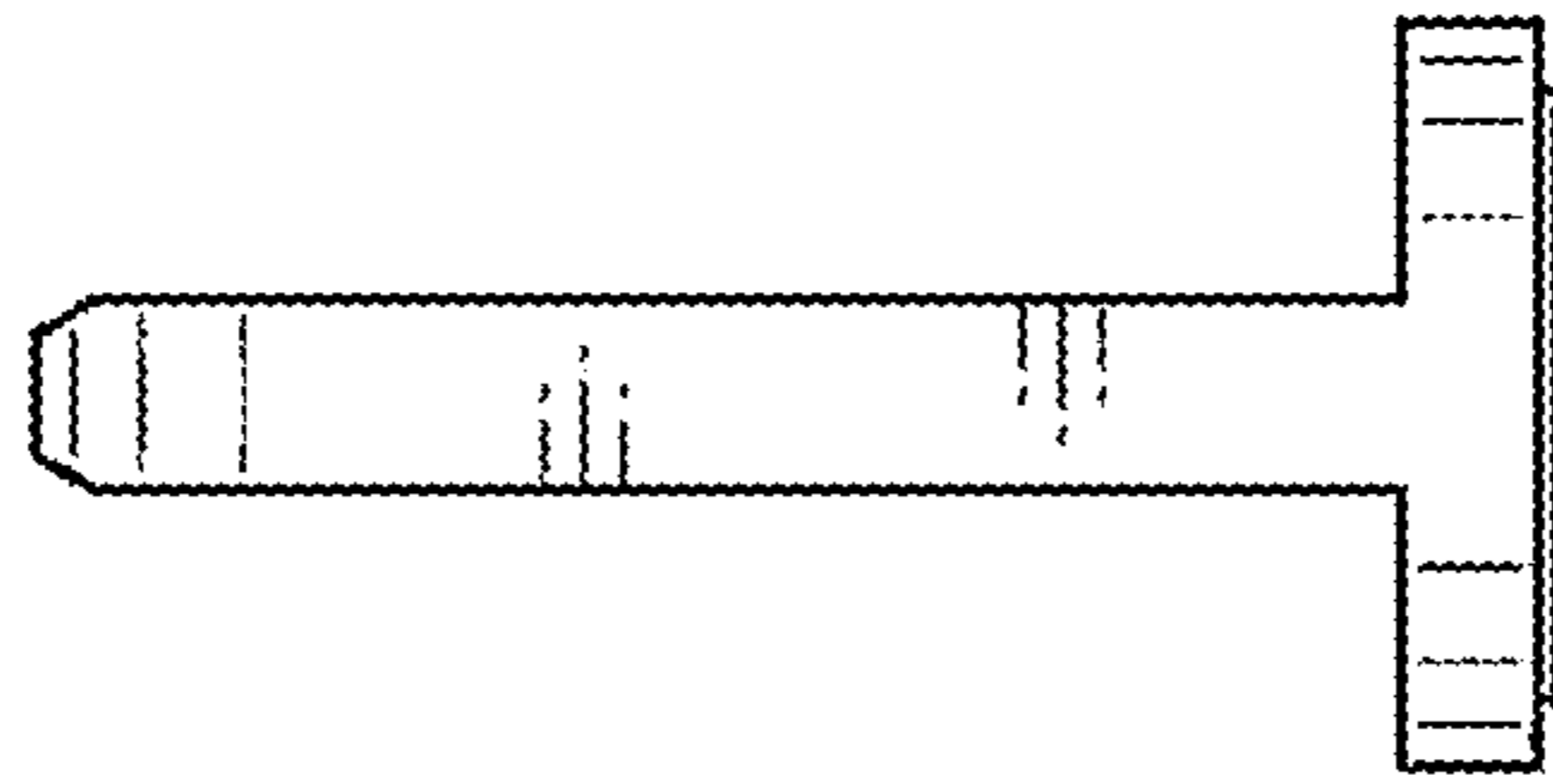


Fig. 8

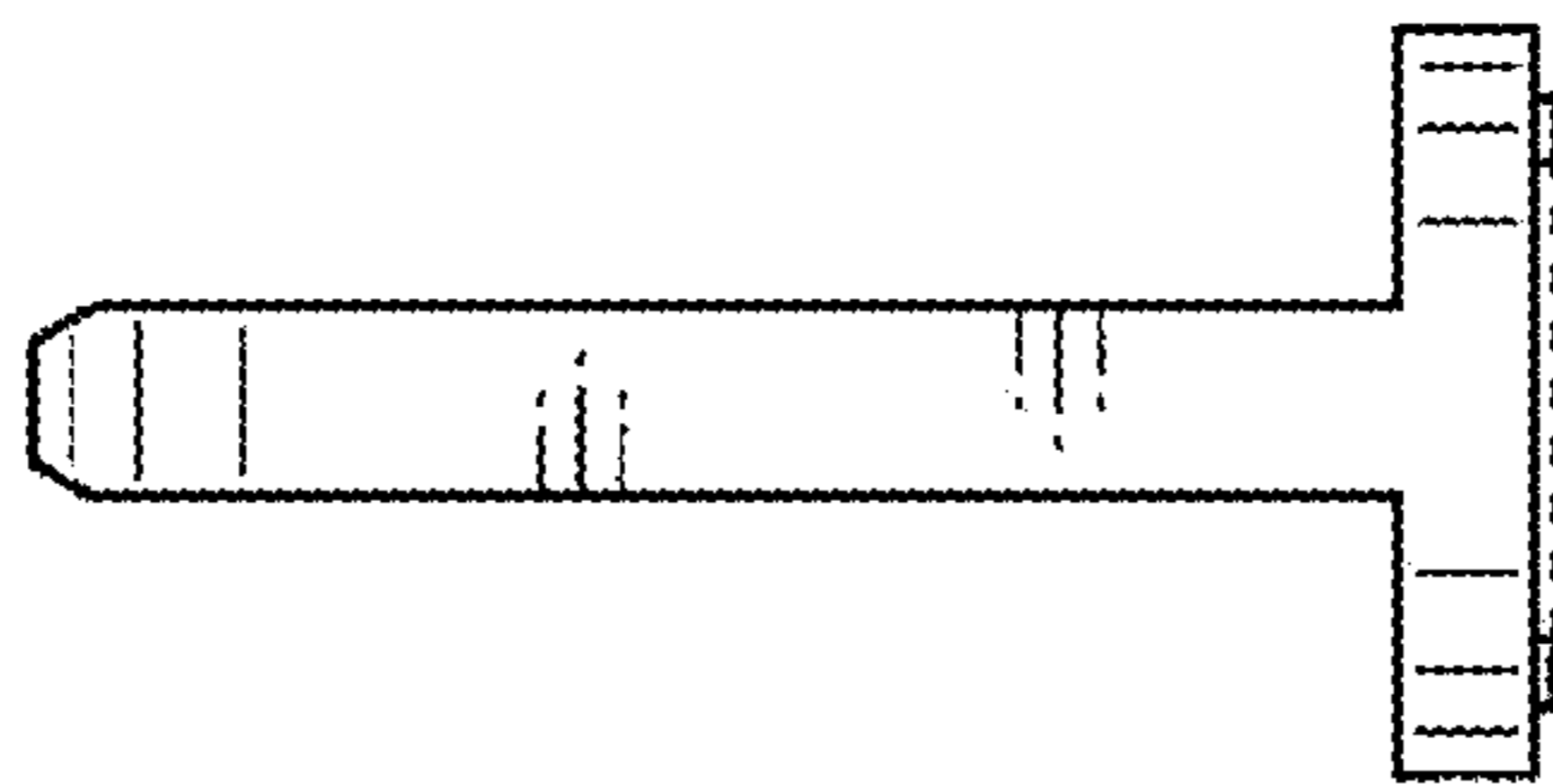


Fig. 9

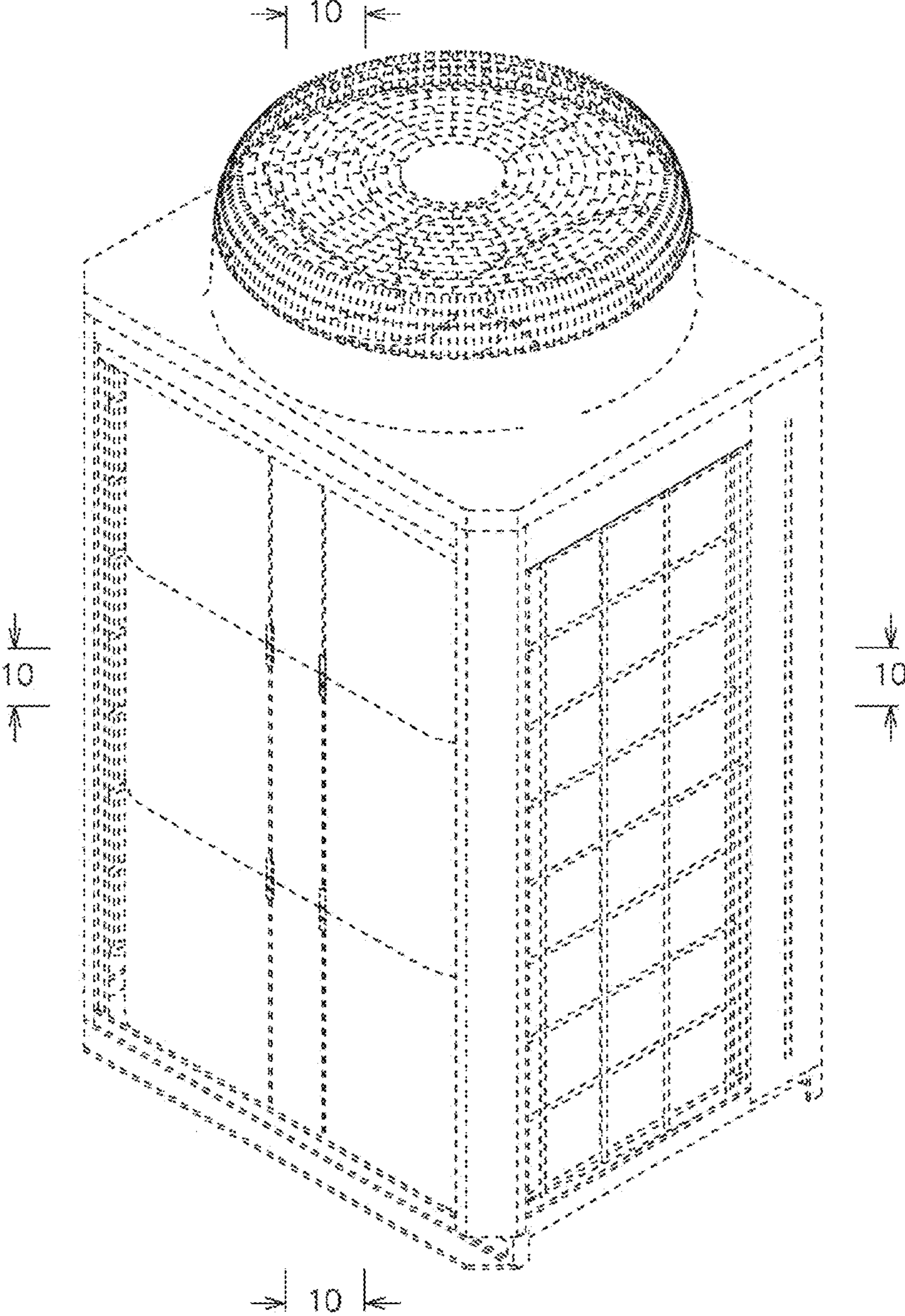


Fig. 10

