



US00D757914S

(12) **United States Design Patent**
Zhukovsky

(10) **Patent No.:** **US D757,914 S**

(45) **Date of Patent:** **** May 31, 2016**

(54) **DROP IN SINK**

(71) Applicant: **RONBOW CORPORATION**, Fremont, CA (US)

(72) Inventor: **Alexander Zhukovsky**, Kogalym (RU)

(73) Assignee: **Ronbow Corporation**, Fremont, CA (US)

(**) Term: **14 Years**

(21) Appl. No.: **29/515,938**

(22) Filed: **Jan. 28, 2015**

(51) **LOC (10) Cl.** **23-02**

(52) **U.S. Cl.**
USPC **D23/284**

(58) **Field of Classification Search**
USPC D23/284, 286, 287, 288, 292, 293.1
CPC E03C 1/14; E03C 1/16; E03C 1/18;
A47K 1/02; A47L 17/02; A47L 19/02
See application file for complete search history.

(56) **References Cited**

U.S. PATENT DOCUMENTS

D212,418 S * 10/1968 Doman D23/284
D321,753 S * 11/1991 Bengtson D23/284

D507,334 S * 7/2005 Ferrer Beltran D23/293.1
D634,824 S * 3/2011 Dosne D23/284
D745,121 S * 12/2015 Schonherr D23/284

* cited by examiner

Primary Examiner — Robert Delehanty

(74) *Attorney, Agent, or Firm* — Thomas Schneck

(57) **CLAIM**

I claim the design for a drop in sink, as shown and described.

DESCRIPTION

FIG. 1 is a top right front perspective view of a drop in sink of our design, the dashed lines representing an unclaimed feature;

FIG. 2 is a top plan view thereof, with dashed lines representing unclaimed features, the bottom plan view being plain, unornamented and unclaimed;

FIG. 3 is a front elevational view thereof;

FIG. 4 is a left side elevational view thereof;

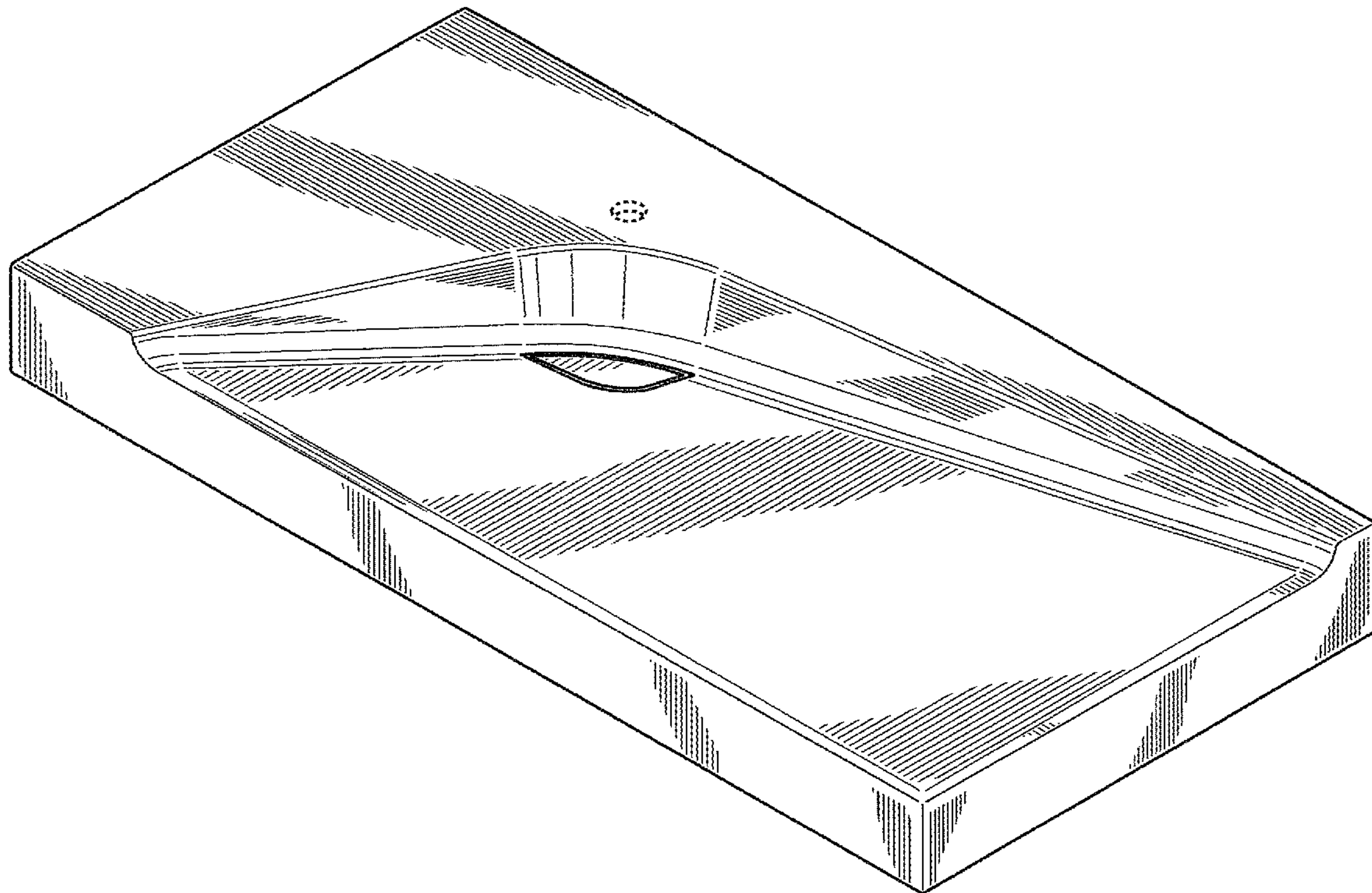
FIG. 5 is a back elevational view thereof;

FIG. 6 is a right side elevational view thereof;

FIG. 7 is a cross sectional view taken along line 7-7 in FIG. 2, the dashed lines representing unclaimed features; and,

FIG. 8 is a cross sectional view taken along line 8-8 in FIG. 2, the dashed lines representing unclaimed features.

1 Claim, 3 Drawing Sheets



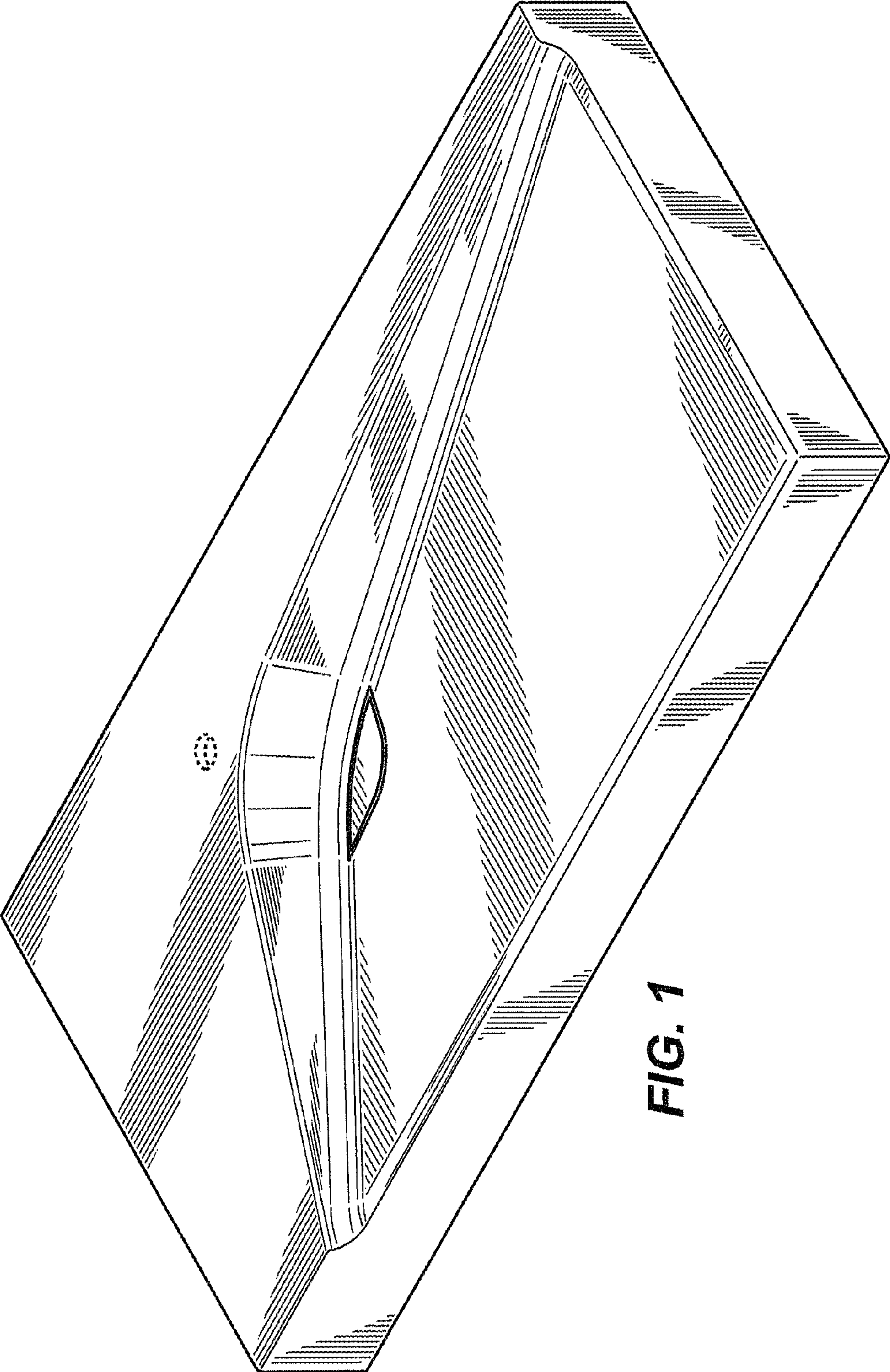


FIG. 1

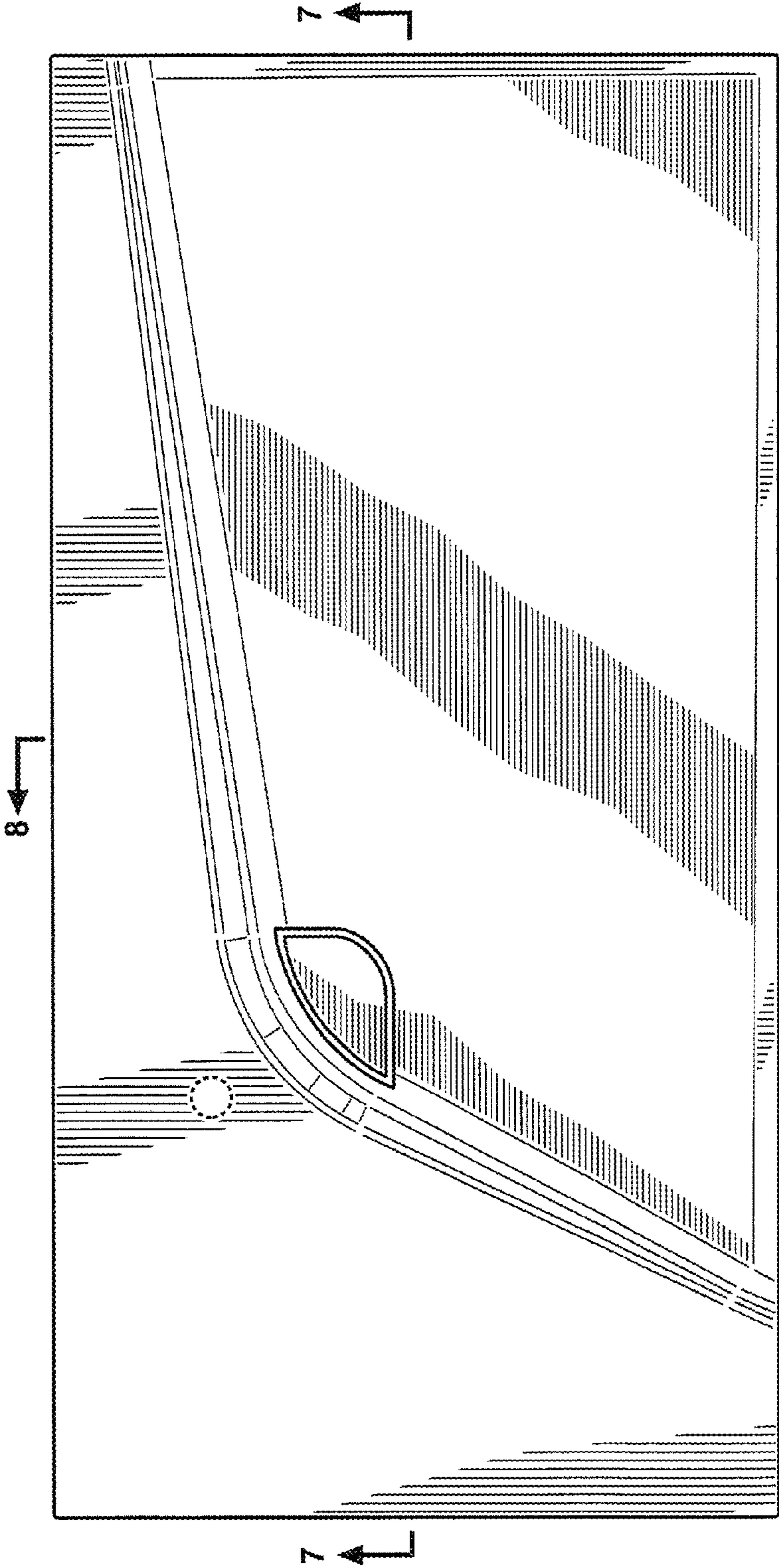


FIG. 2

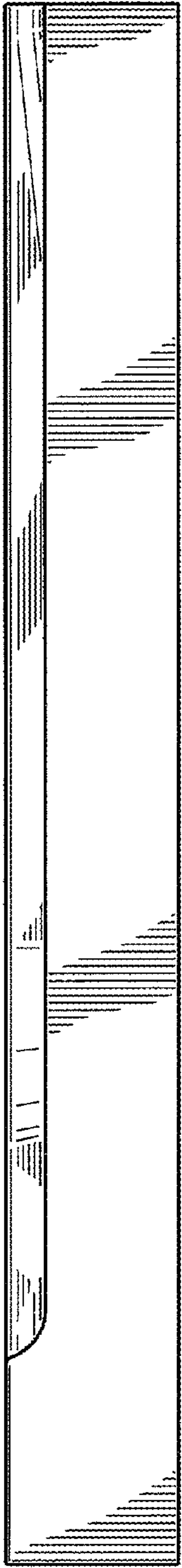


FIG. 3

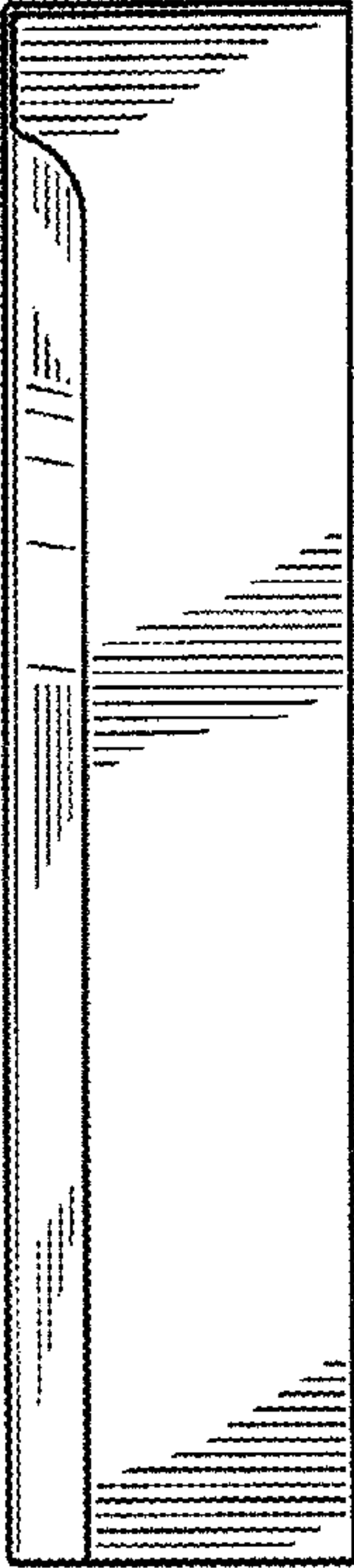


FIG. 6

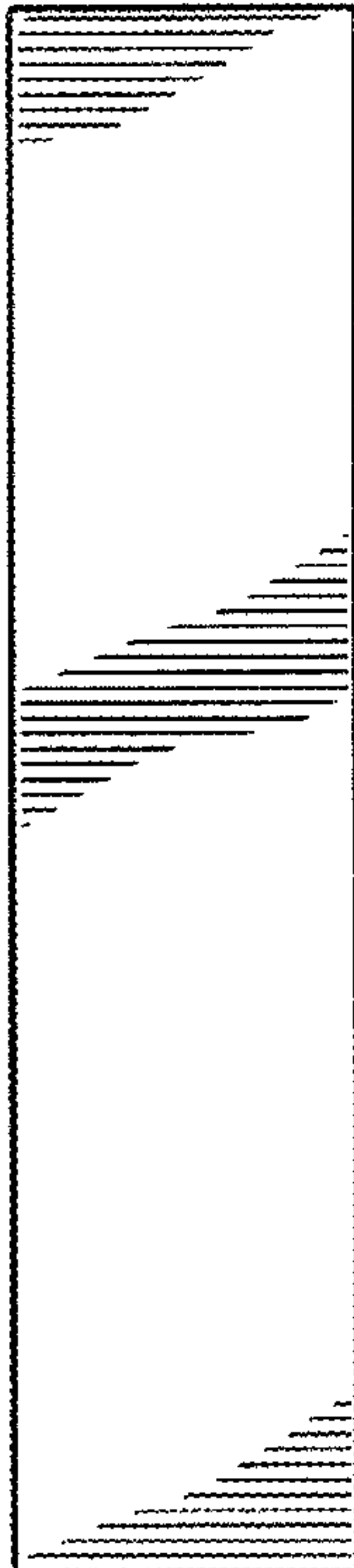


FIG. 4

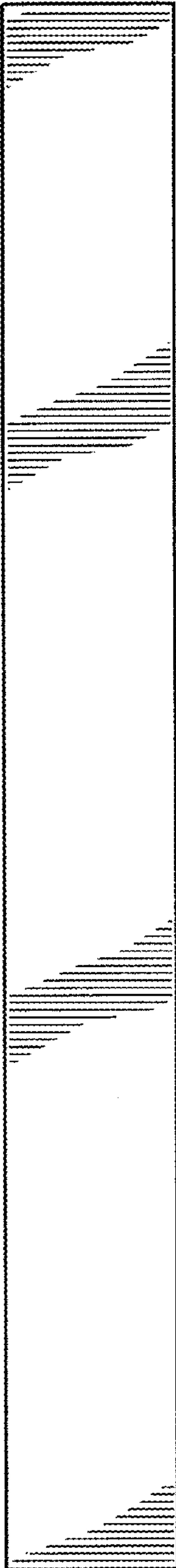


FIG. 5

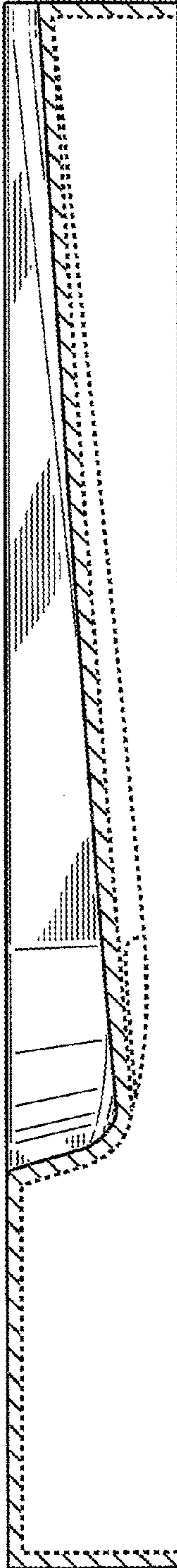


FIG. 7

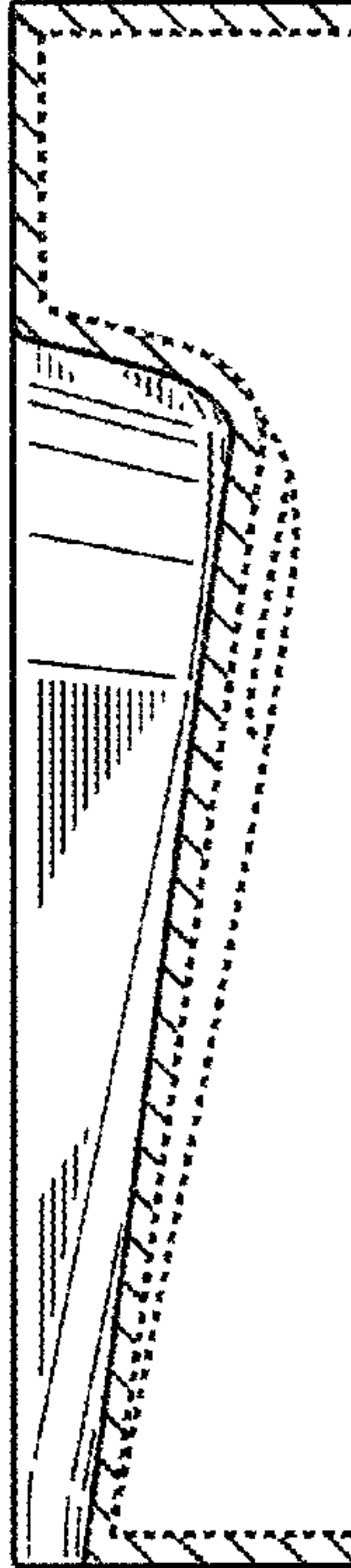


FIG. 8