



US00D757913S

(12) **United States Design Patent**  
**Shany**

(10) **Patent No.:** **US D757,913 S**

(45) **Date of Patent:** **\*\* May 31, 2016**

(54) **INFANT BATHTUB**

(71) Applicant: **Hanan Yoseph Shany**, New York, NY  
(US)

(72) Inventor: **Hanan Yoseph Shany**, New York, NY  
(US)

(\*\*) Term: **15 Years**

(21) Appl. No.: **29/529,364**

(22) Filed: **Jun. 5, 2015**

(51) **LOC (10) Cl.** ..... **23-02**

(52) **U.S. Cl.**  
USPC ..... **D23/278**

(58) **Field of Classification Search**  
USPC ..... D23/278, 277, 303-304  
CPC ..... A47K 3/024; A47K 3/034; A47K 3/074;  
B62B 9/245  
See application file for complete search history.

(56) **References Cited**

**U.S. PATENT DOCUMENTS**

D184,127 S \* 12/1958 Gunn ..... D23/278  
D186,578 S \* 11/1959 Willis ..... D23/278

D220,103 S \* 3/1971 Clowe ..... D23/278  
D299,741 S \* 2/1989 Thom ..... D23/278  
6,785,917 B1 \* 9/2004 Bryant ..... A47K 3/024  
4/572.1  
D653,312 S \* 1/2012 Liang ..... D23/278

\* cited by examiner

*Primary Examiner* — Robert Delehanty

(74) *Attorney, Agent, or Firm* — Dale J. Ream

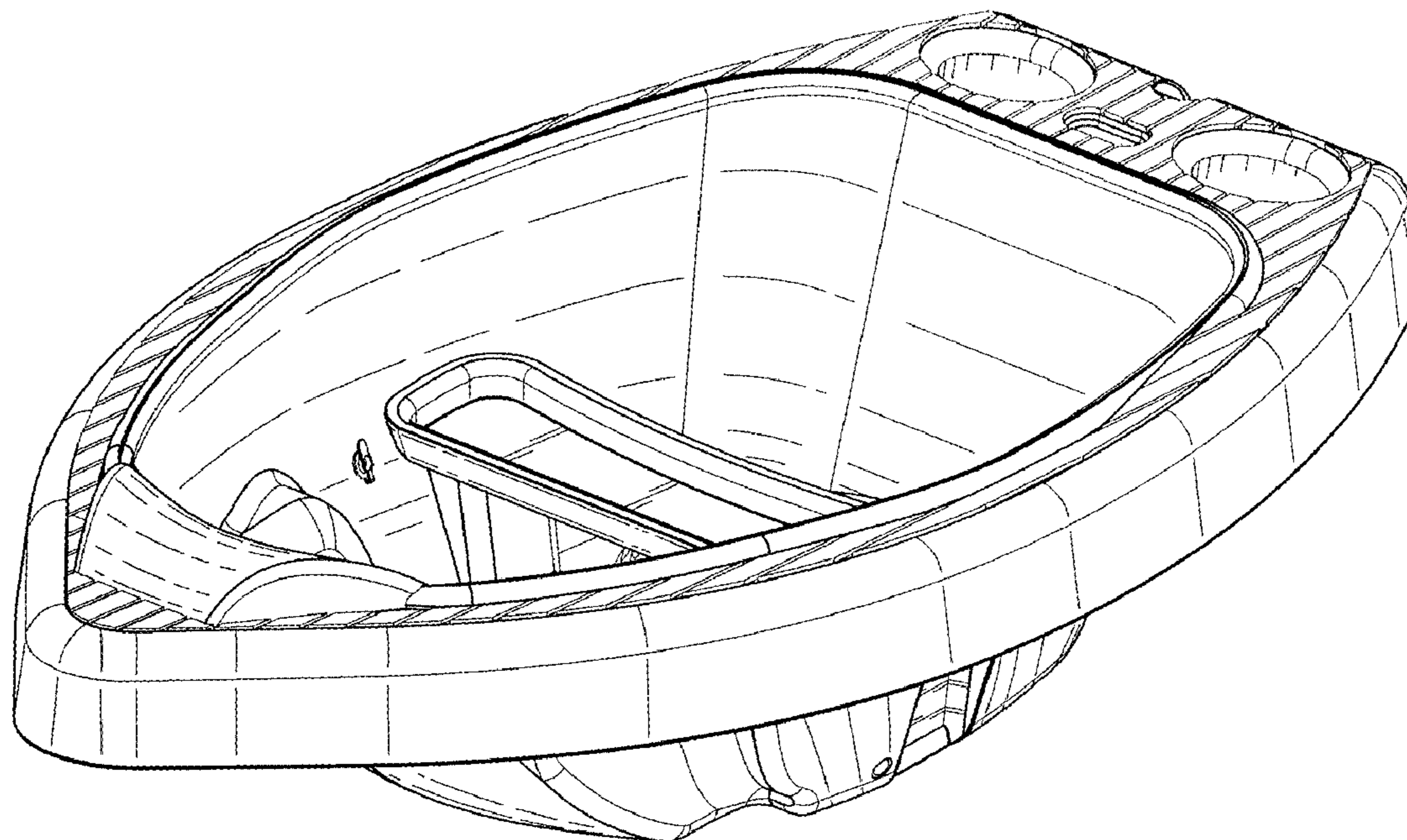
(57) **CLAIM**

The ornamental design for an infant bathtub, as shown and described.

**DESCRIPTION**

FIG. 1 is a perspective view of an infant bathtub showing my new design;  
FIG. 2 is a front view thereof;  
FIG. 3 is a back view thereof;  
FIG. 4 is a right side view thereof;  
FIG. 5 is a left side view thereof;  
FIG. 6 is a top view thereof; and,  
FIG. 7 is a bottom view thereof.

**1 Claim, 4 Drawing Sheets**



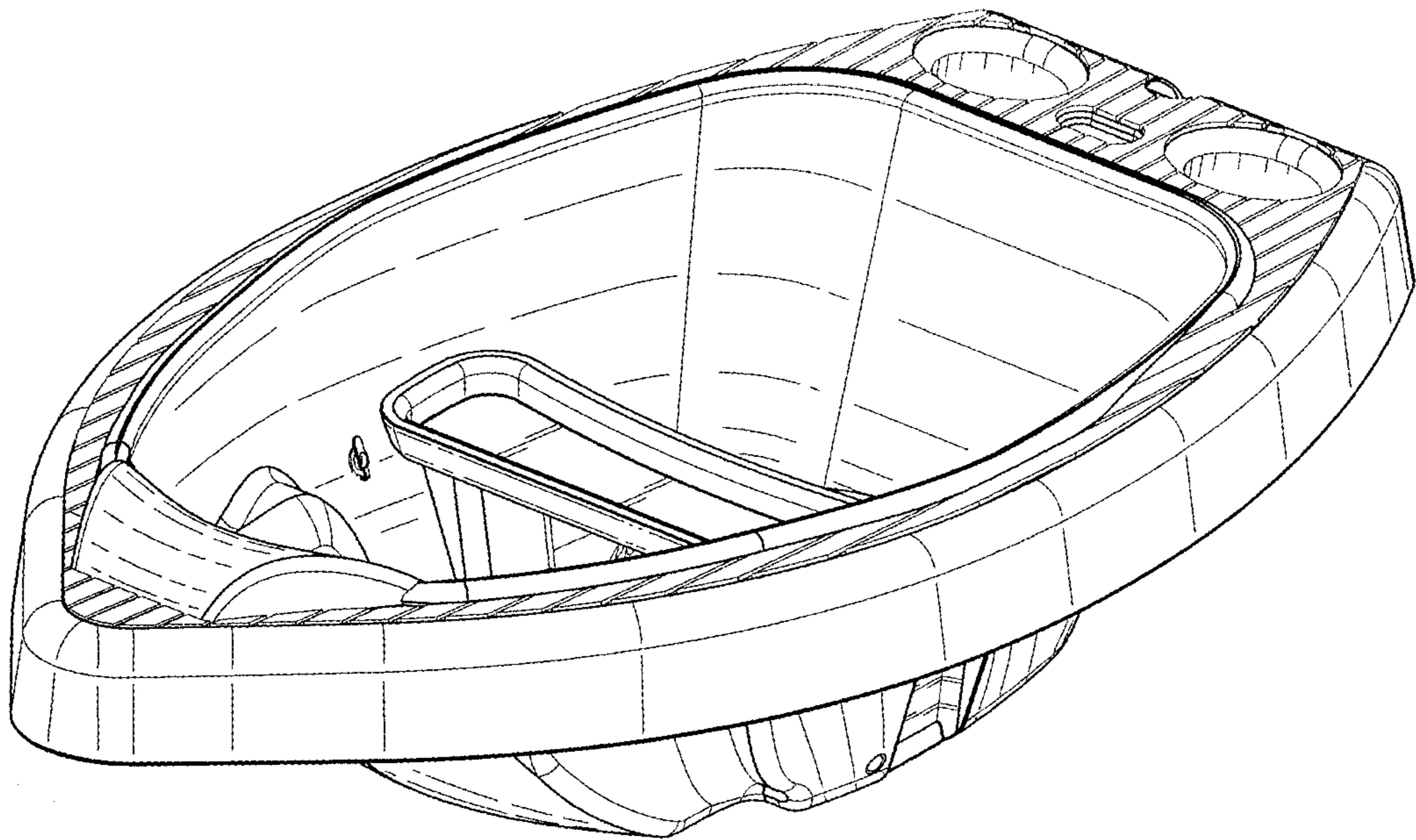


FIG. 1

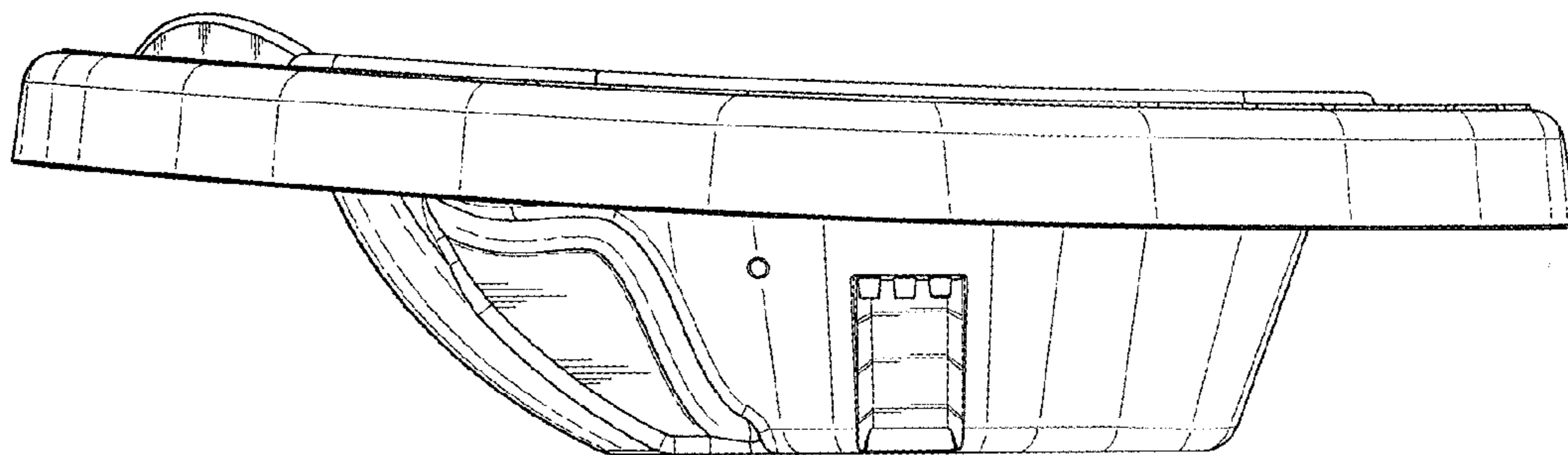


FIG. 2

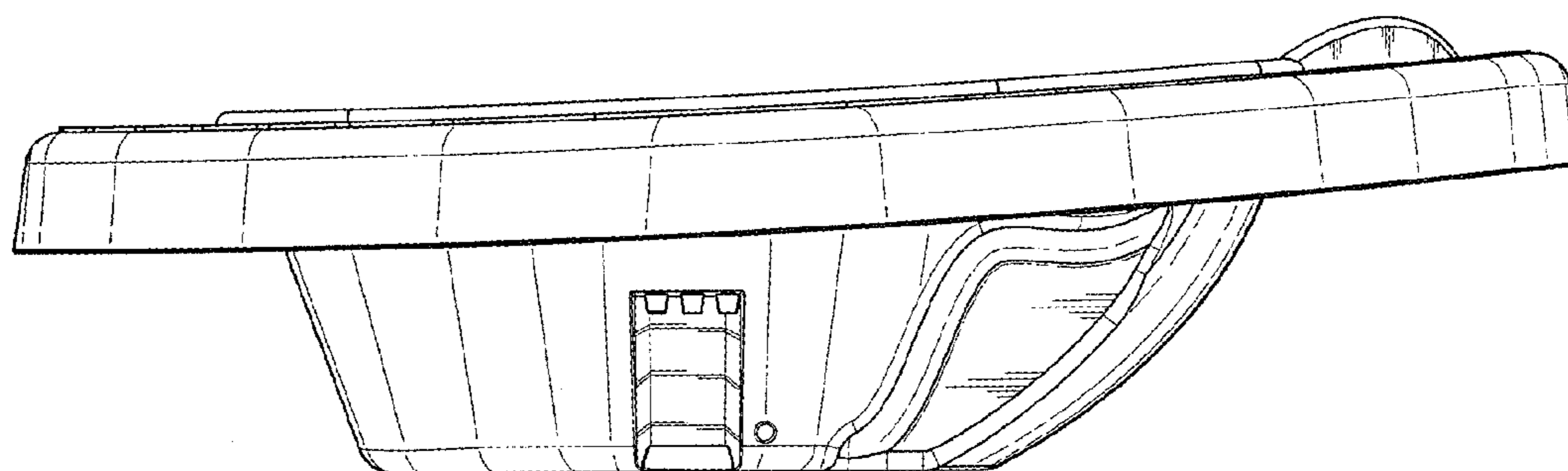


FIG. 3

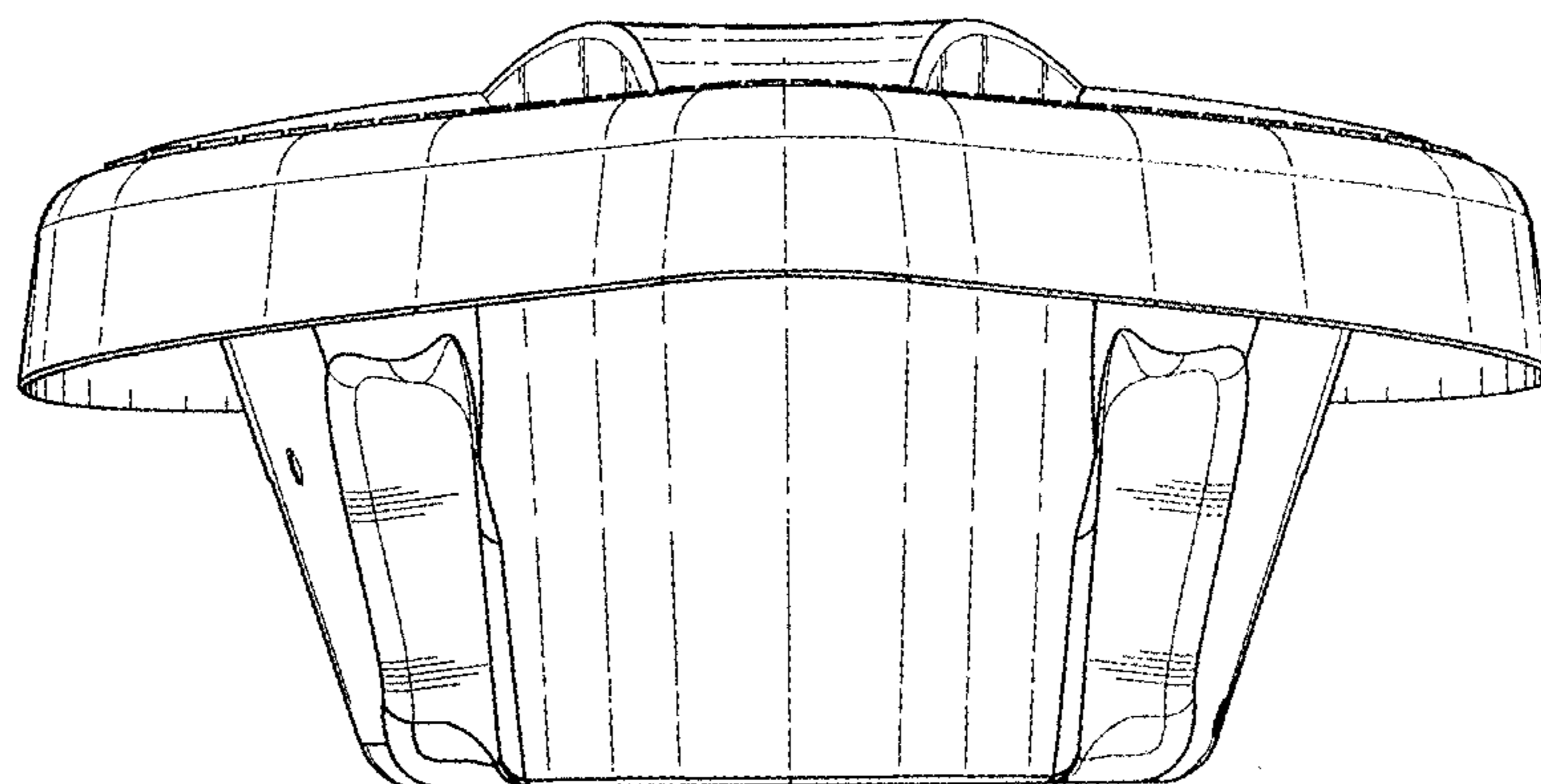


FIG. 4

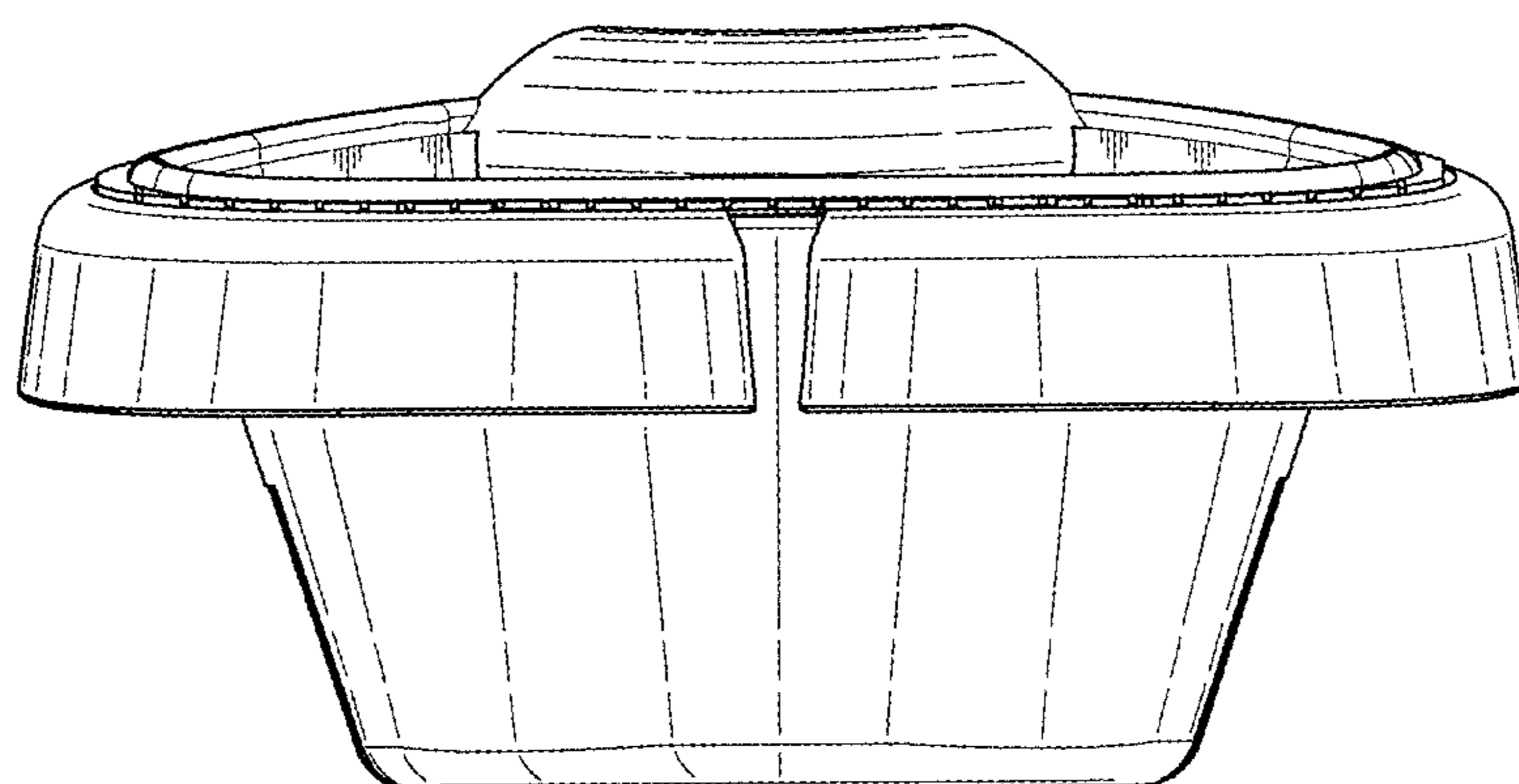


FIG. 5



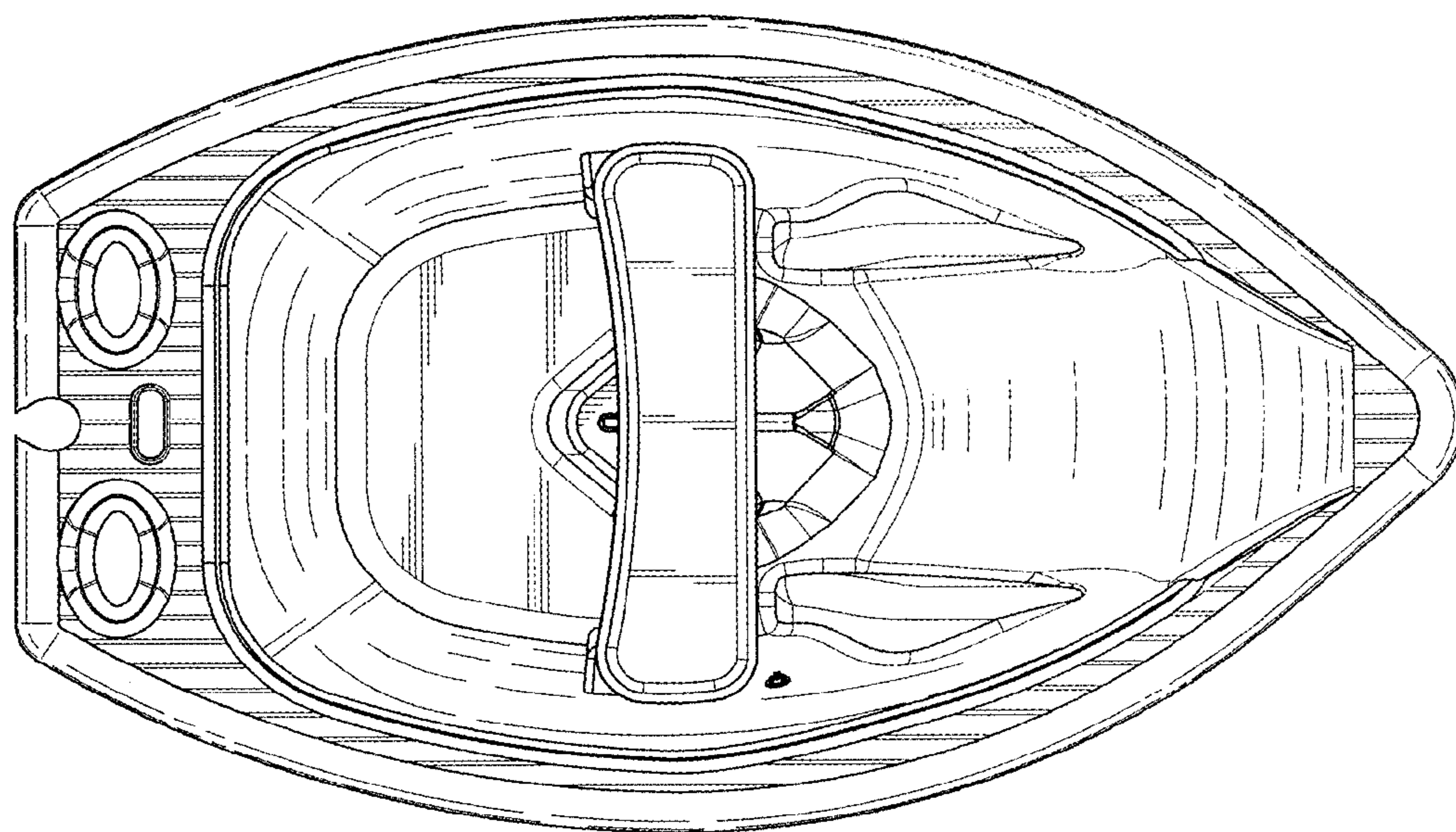


FIG. 6

000

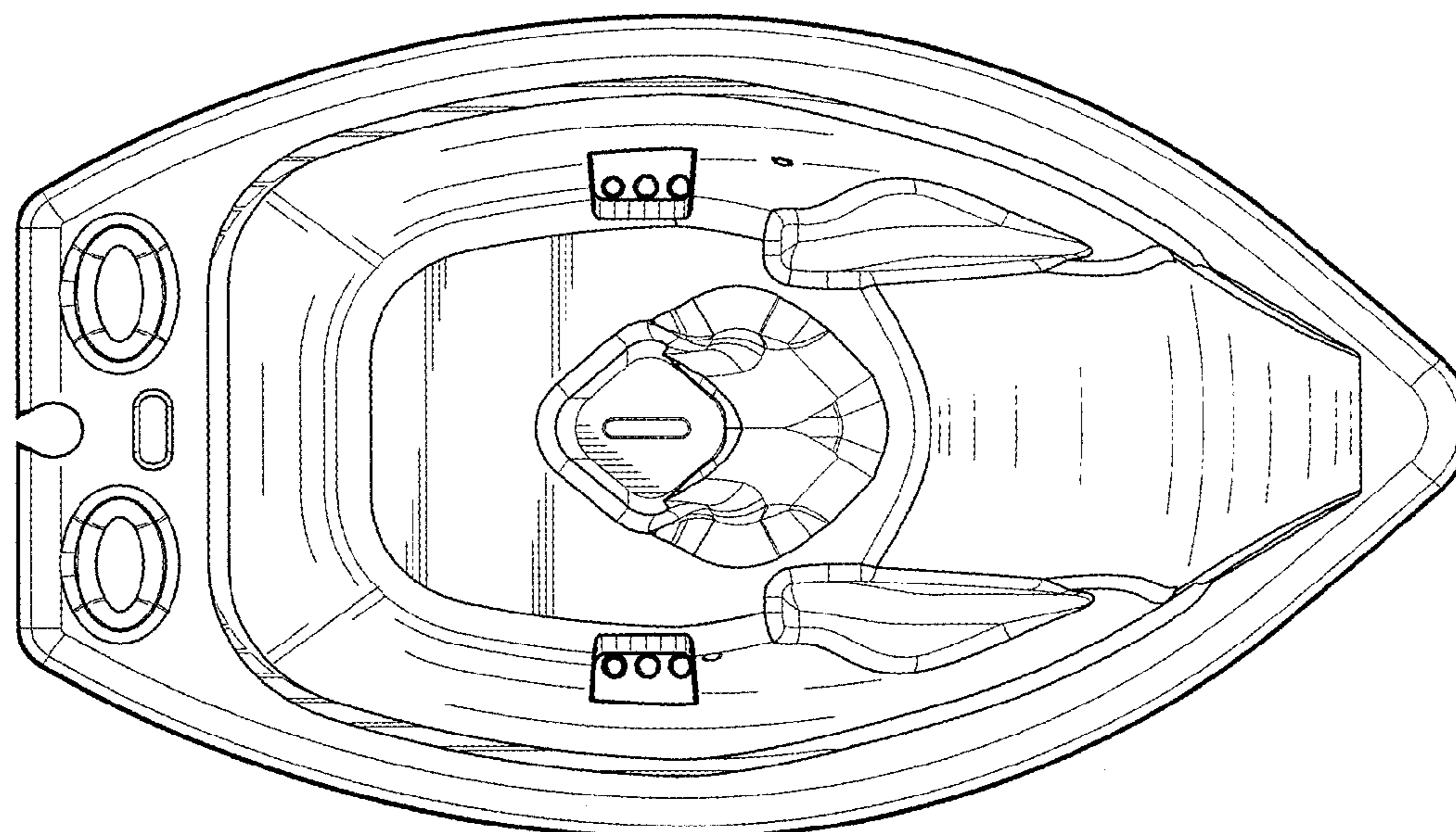


FIG. 7