



US00D757911S

(12) **United States Design Patent**  
**Flowers et al.**

(10) **Patent No.:** **US D757,911 S**  
(45) **Date of Patent:** **\*\* May 31, 2016**

(54) **BASIN MIXER**

(71) Applicant: **Grohe AG**, Hemer (DE)

(72) Inventors: **Paul Flowers**, London (GB); **Jochen Allard**, Menden (DE)

(73) Assignee: **Grohe AG**, Hemer (DE)

(\*\*) Term: **14 Years**

(21) Appl. No.: **29/524,367**

(22) Filed: **Apr. 20, 2015**

(30) **Foreign Application Priority Data**

Oct. 20, 2014 (EM) ..... 002560276-0009

(51) **LOC (10) Cl.** ..... **23-01**

(52) **U.S. Cl.**  
USPC ..... **D23/255**

(58) **Field of Classification Search**  
USPC ..... D23/238-243, 255, 257  
CPC ..... E03C 1/04; E03C 1/0401; E03C 1/0402;  
E03C 1/0404

See application file for complete search history.

(56) **References Cited**

U.S. PATENT DOCUMENTS

D519,617 S \* 4/2006 Hoernig ..... D23/255  
D530,782 S \* 10/2006 Starck ..... D23/238  
D592,287 S \* 5/2009 Lammel ..... D23/255  
D678,986 S \* 3/2013 Lord ..... D23/255

\* cited by examiner

*Primary Examiner* — Robert Delehanty

(74) *Attorney, Agent, or Firm* — Muncy, Geissler, Olds & Lowe, P.C.

(57) **CLAIM**

The ornamental design for a basin mixer, as shown and described.

**DESCRIPTION**

FIG. 1 is a front perspective view of a basin mixer according to the present invention.

FIG. 2 is a left side view of the basin mixer of FIG. 1.

FIG. 3 is a right side view of the basin mixer of FIG. 1.

FIG. 4 is a top view of the basin mixer of FIG. 1.

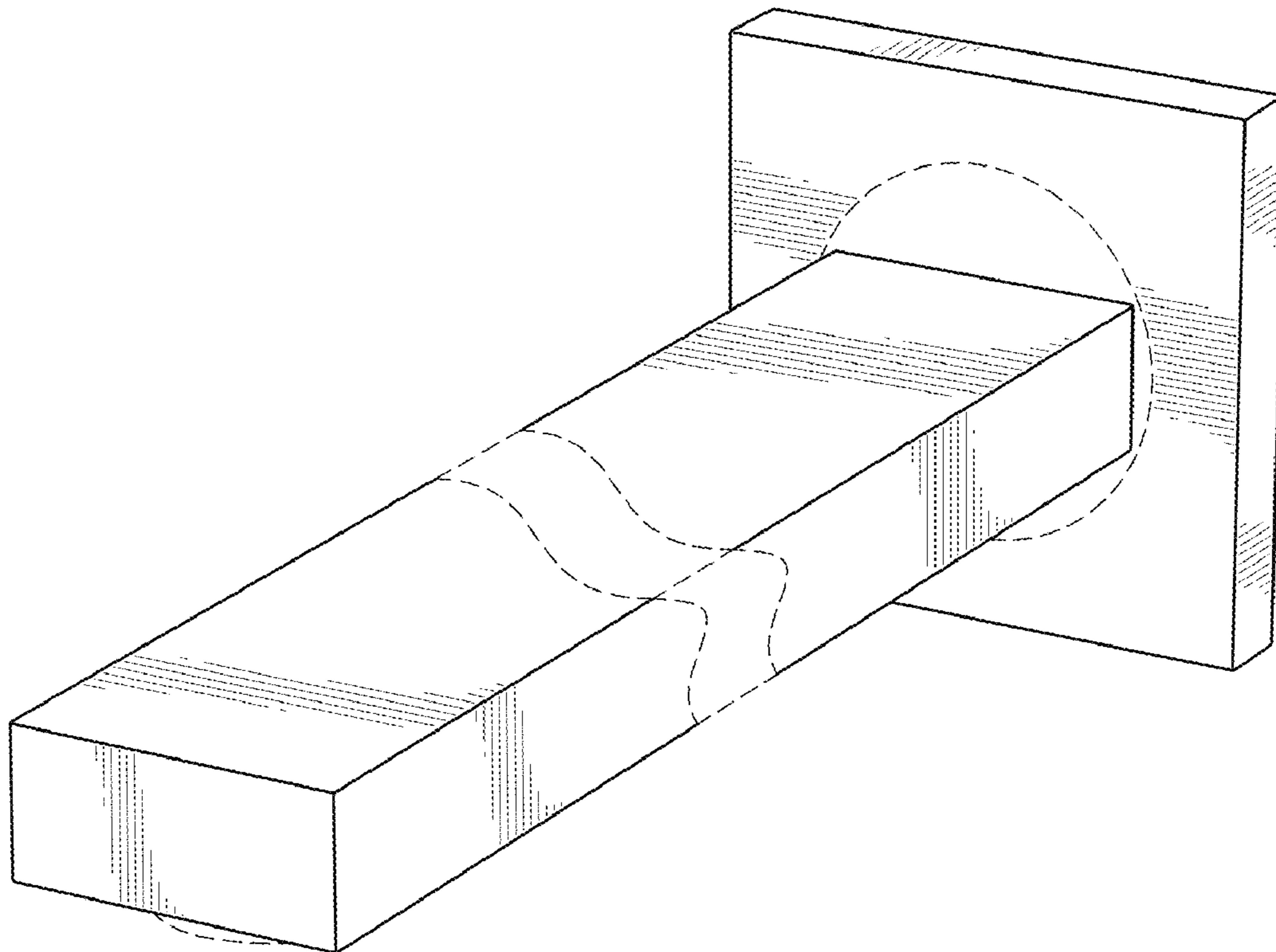
FIG. 5 is a bottom view of the basin mixer of FIG. 1.

FIG. 6 is a front view of the basin mixer of FIG. 1; and,

FIG. 7 is a rear view of the basin mixer of FIG. 1.

The dashed lines illustrate environment that does not form a part of the present invention, and no claim is made to the material illustrated with dashed lines.

**1 Claim, 7 Drawing Sheets**



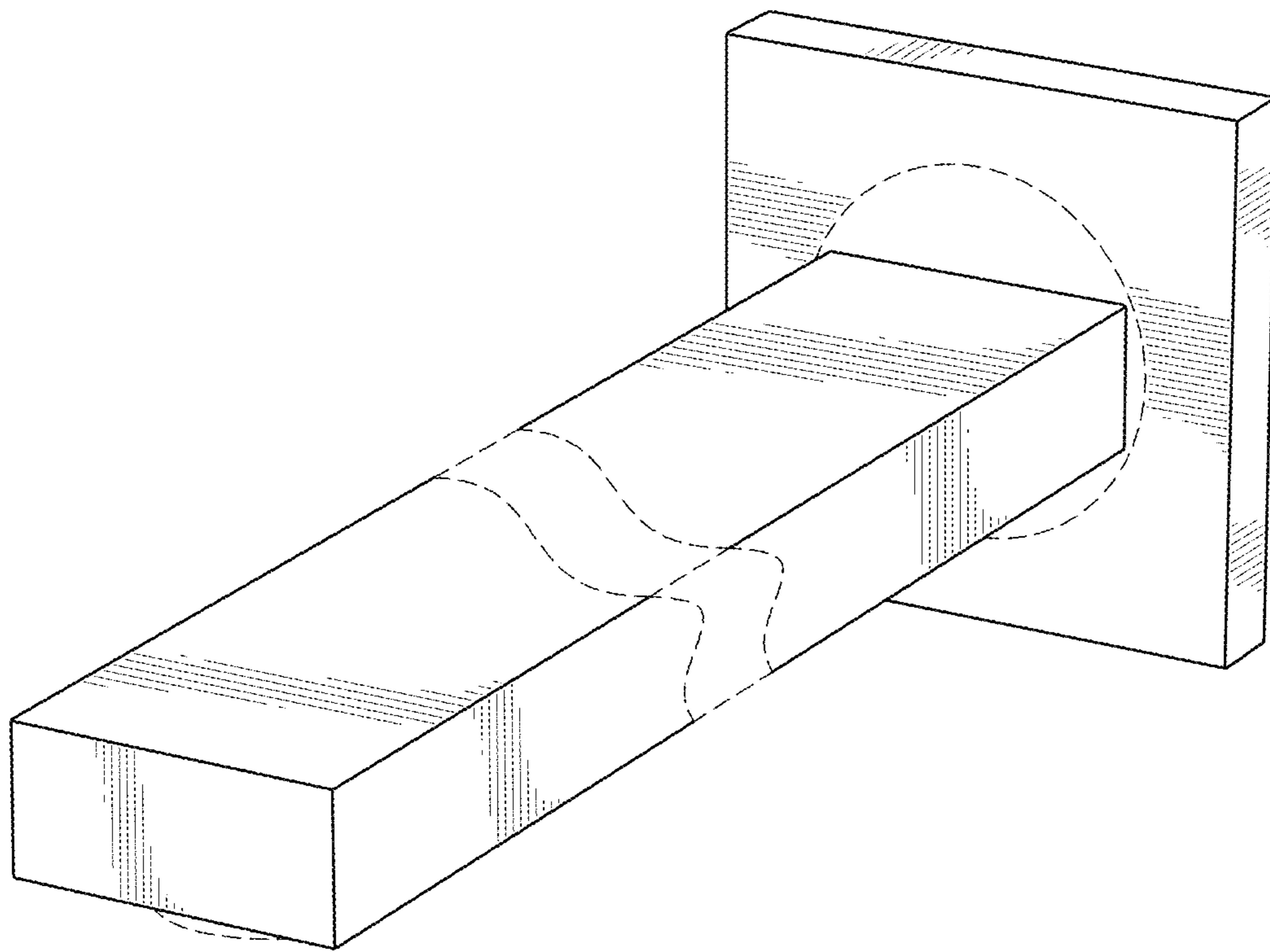


FIG.1

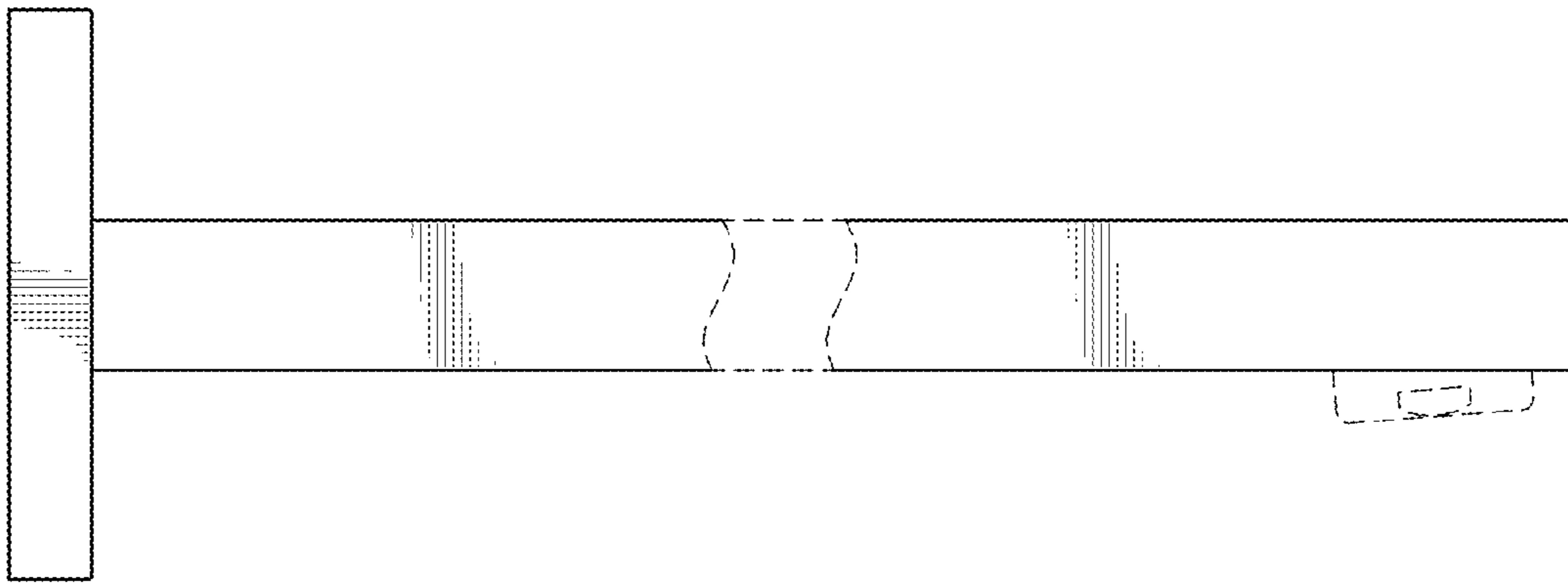


FIG.2

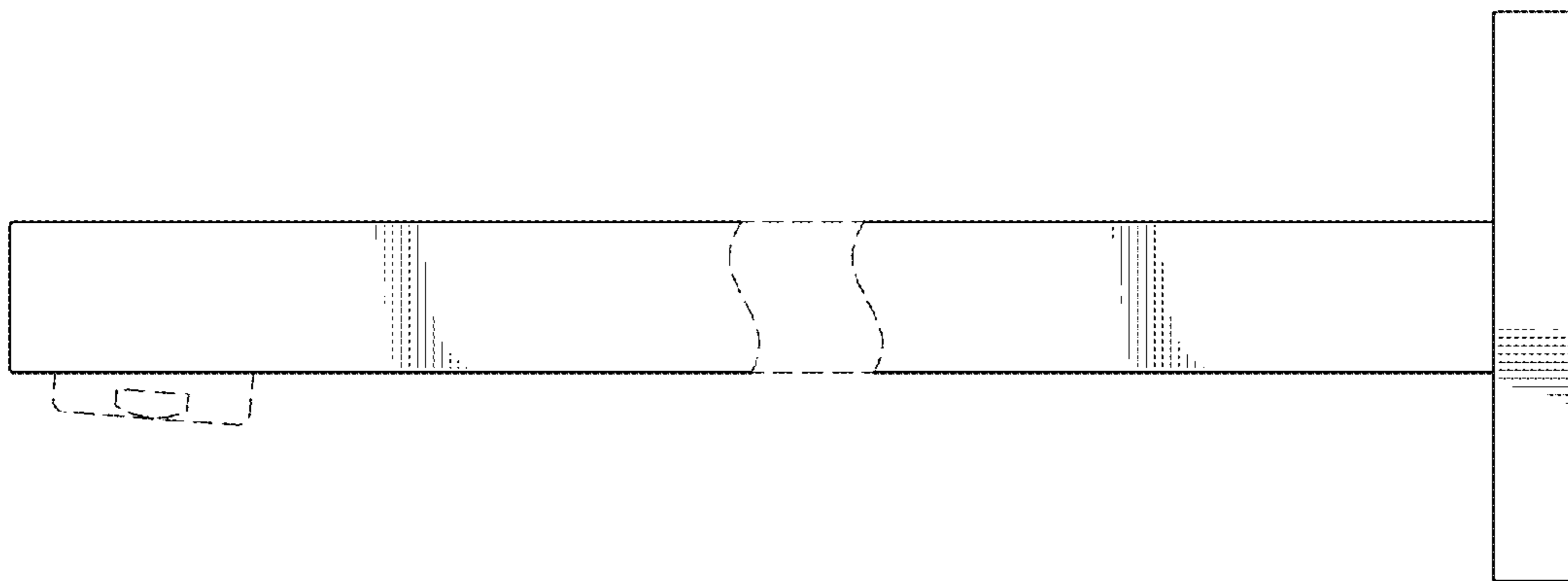


FIG.3

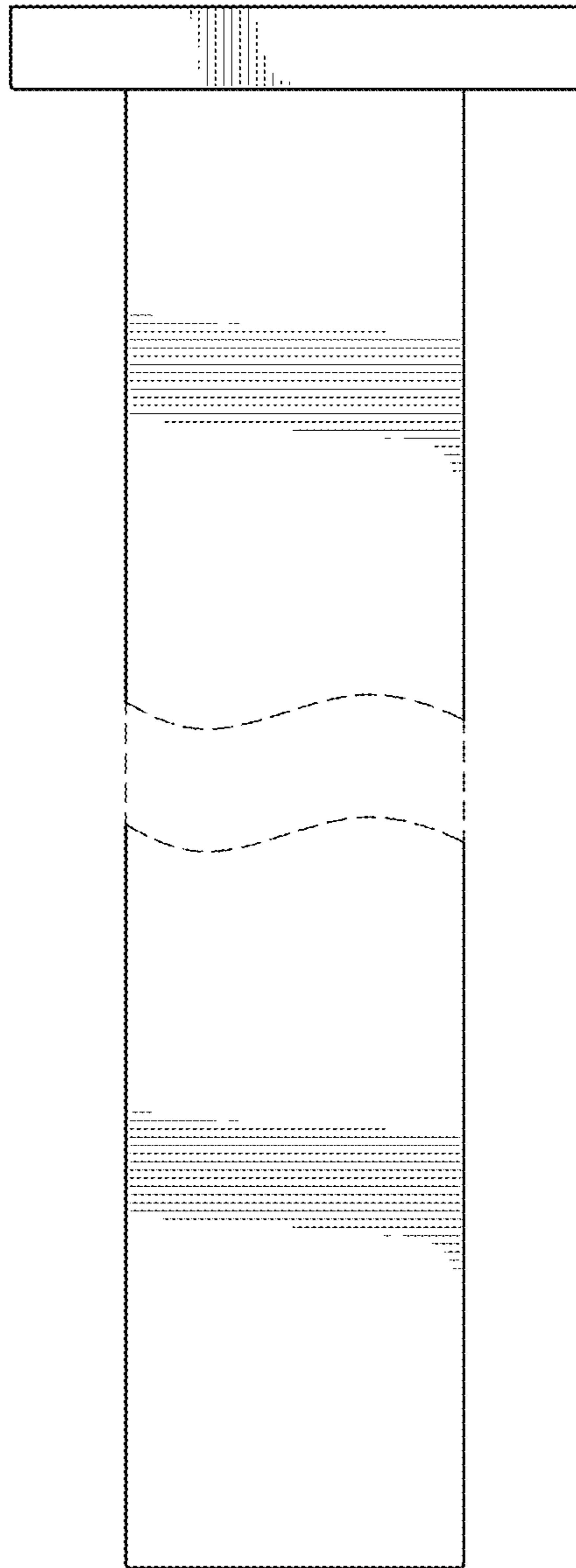


FIG.4

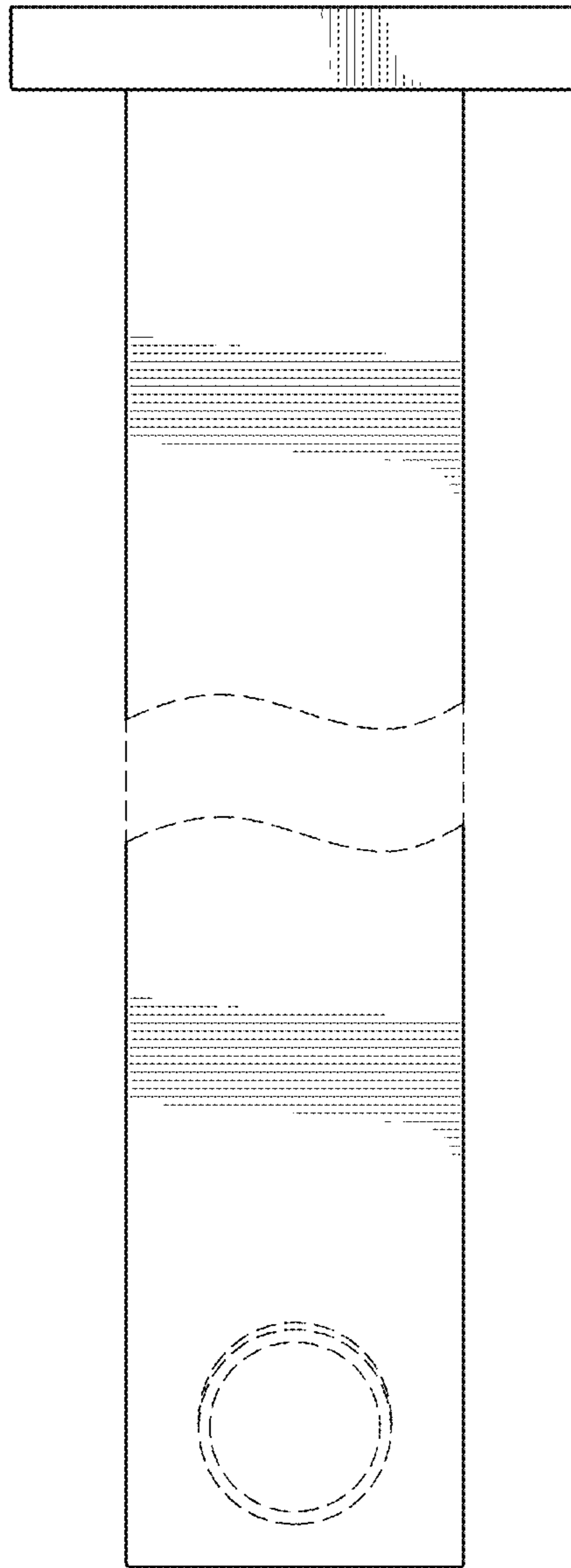


FIG.5

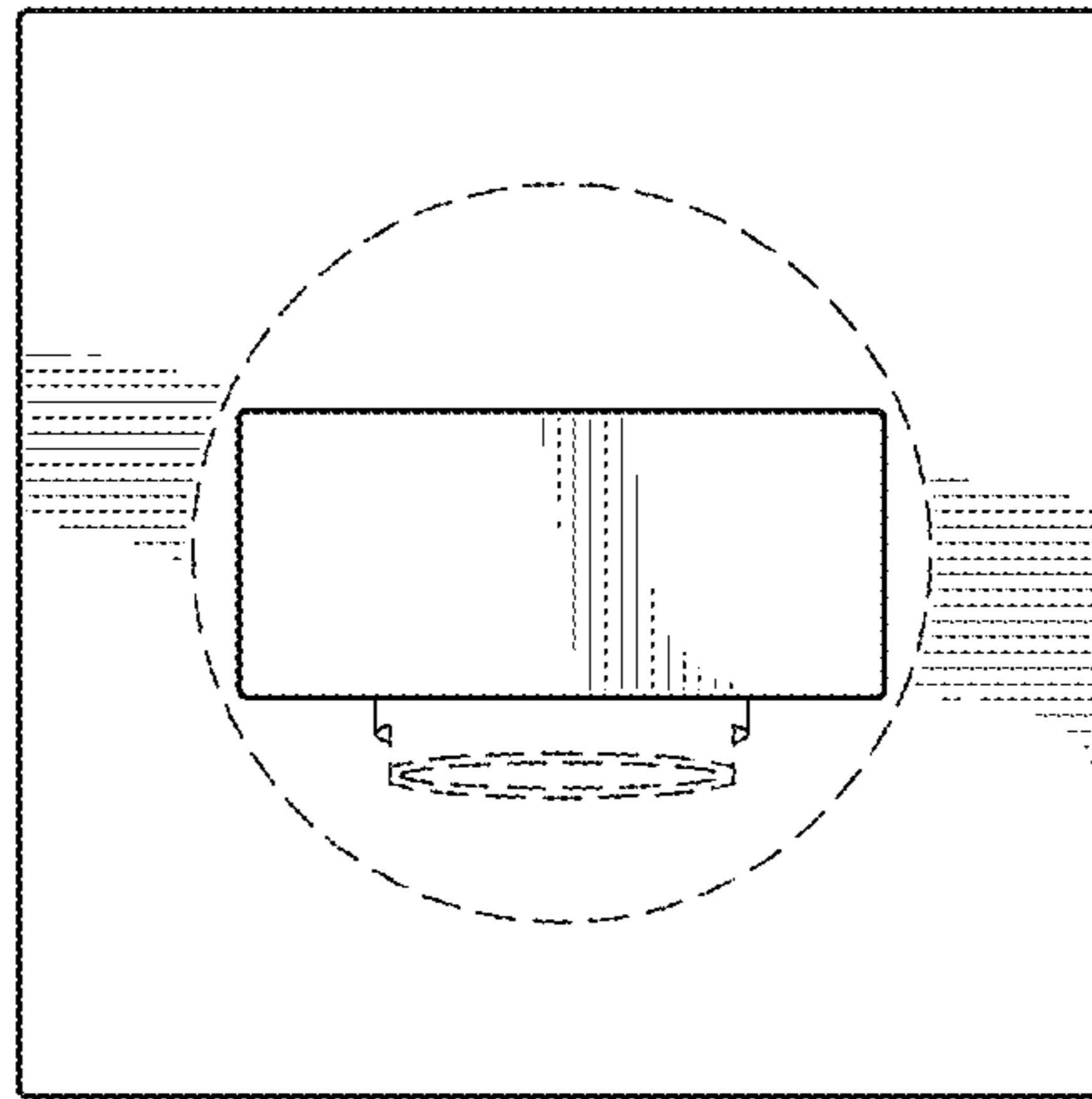


FIG.6

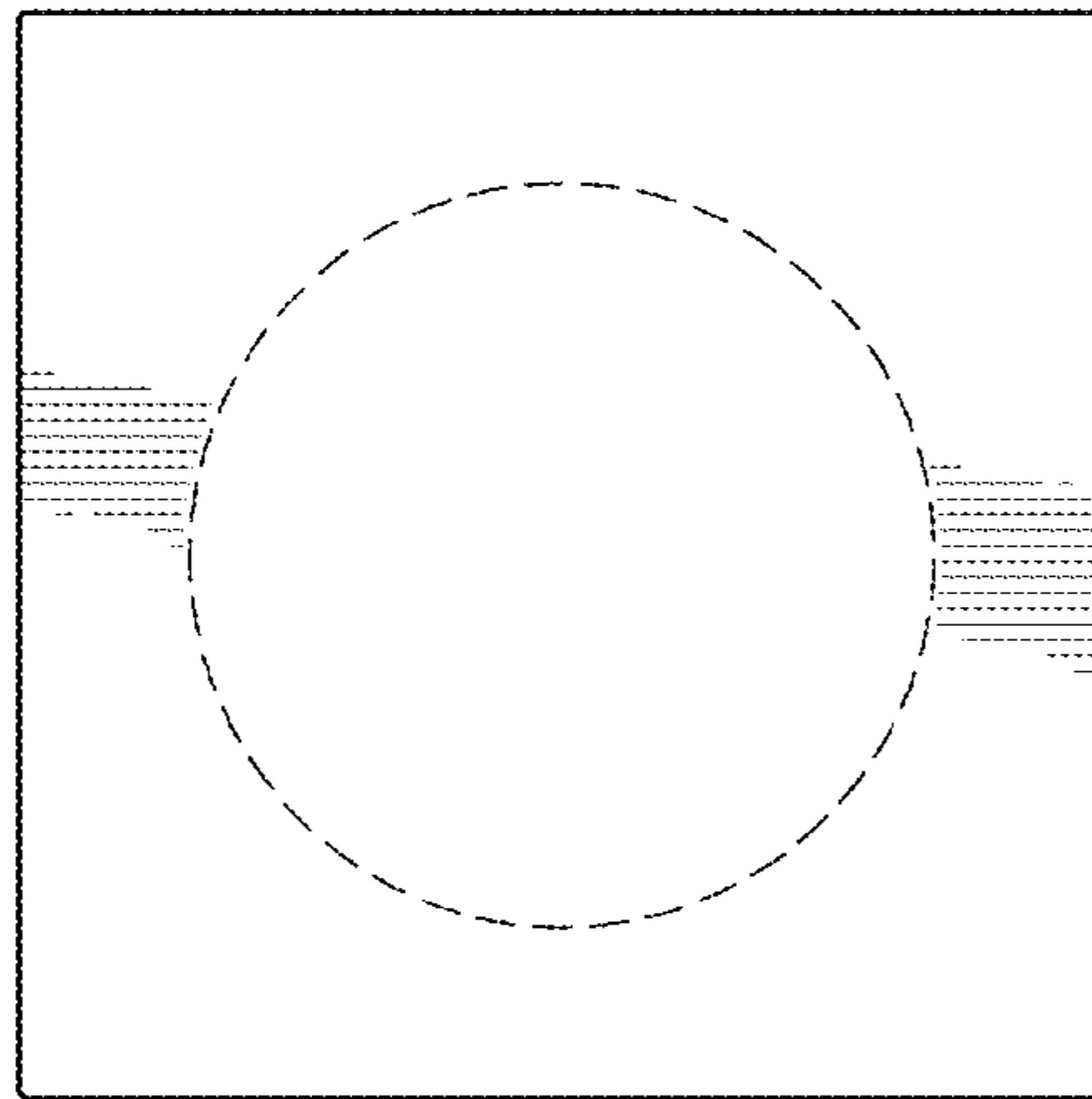


FIG. 7