



US00D757907S

(12) **United States Design Patent**  
**Foreman et al.**

(10) **Patent No.:** **US D757,907 S**  
(45) **Date of Patent:** **\*\* May 31, 2016**

(54) **DAMPENING RING FOR COMPRESSOR VALVE**

(71) Applicant: **Delaware Capital Formation, Inc.**,  
Wilmington, DE (US)

(72) Inventors: **Walter Foreman**, Katy, TX (US);  
**Stephen A. Mish**, Wellington, FL (US)

(73) Assignee: **DELAWARE CAPITAL FORMATION, INC.**, Wilmington, DE (US)

(\*\*) Term: **14 Years**

(21) Appl. No.: **29/515,747**

(22) Filed: **Jan. 26, 2015**

(51) **LOC (10) Cl.** ..... **15-01**

(52) **U.S. Cl.**  
USPC ..... **D23/249**; D13/118

(58) **Field of Classification Search**  
USPC ..... D23/233–250; D15/1–7; 123/190.4,  
123/190.1, 190.8, 190.2, 190.17, 80 BA,  
123/90.17, 90.31, 90.6; 464/1, 2, 160;  
D13/118, 114, 122, 199; 137/514,  
137/512.1, 516.21, 516.23, 540, 637.3, 535  
CPC ..... F01L 7/02; F02F 1/24; F16K 15/026;  
F16K 3/085; F16K 15/023; F16K 15/028  
See application file for complete search history.

(56) **References Cited**

**U.S. PATENT DOCUMENTS**

1,475,366 A \* 11/1923 Bessinger ..... F16J 9/14  
277/490  
2,047,590 A \* 7/1936 Madsen ..... F16J 9/16  
277/489

3,658,350 A \* 4/1972 Ondraka ..... F16J 9/14  
277/467  
5,903,974 A \* 5/1999 Nakajima ..... B21D 53/18  
29/33 R  
D576,942 S \* 9/2008 Yoshikawa ..... D13/118  
7,540,301 B2 6/2009 Tuymer  
D596,566 S \* 7/2009 Li ..... D13/118  
D650,333 S \* 12/2011 Su ..... D13/122  
2005/0109289 A1 \* 5/2005 Usui ..... F04B 39/0005  
123/19  
2013/0119614 A1 \* 5/2013 Antunes De Oliveira . F16J 9/20  
277/434  
2015/0330507 A1 \* 11/2015 Kamura ..... F02F 5/00  
277/444

\* cited by examiner

*Primary Examiner* — Cynthia Ramirez

*Assistant Examiner* — Gino Colan

(74) *Attorney, Agent, or Firm* — Nielsen IP Law LLC

(57) **CLAIM**

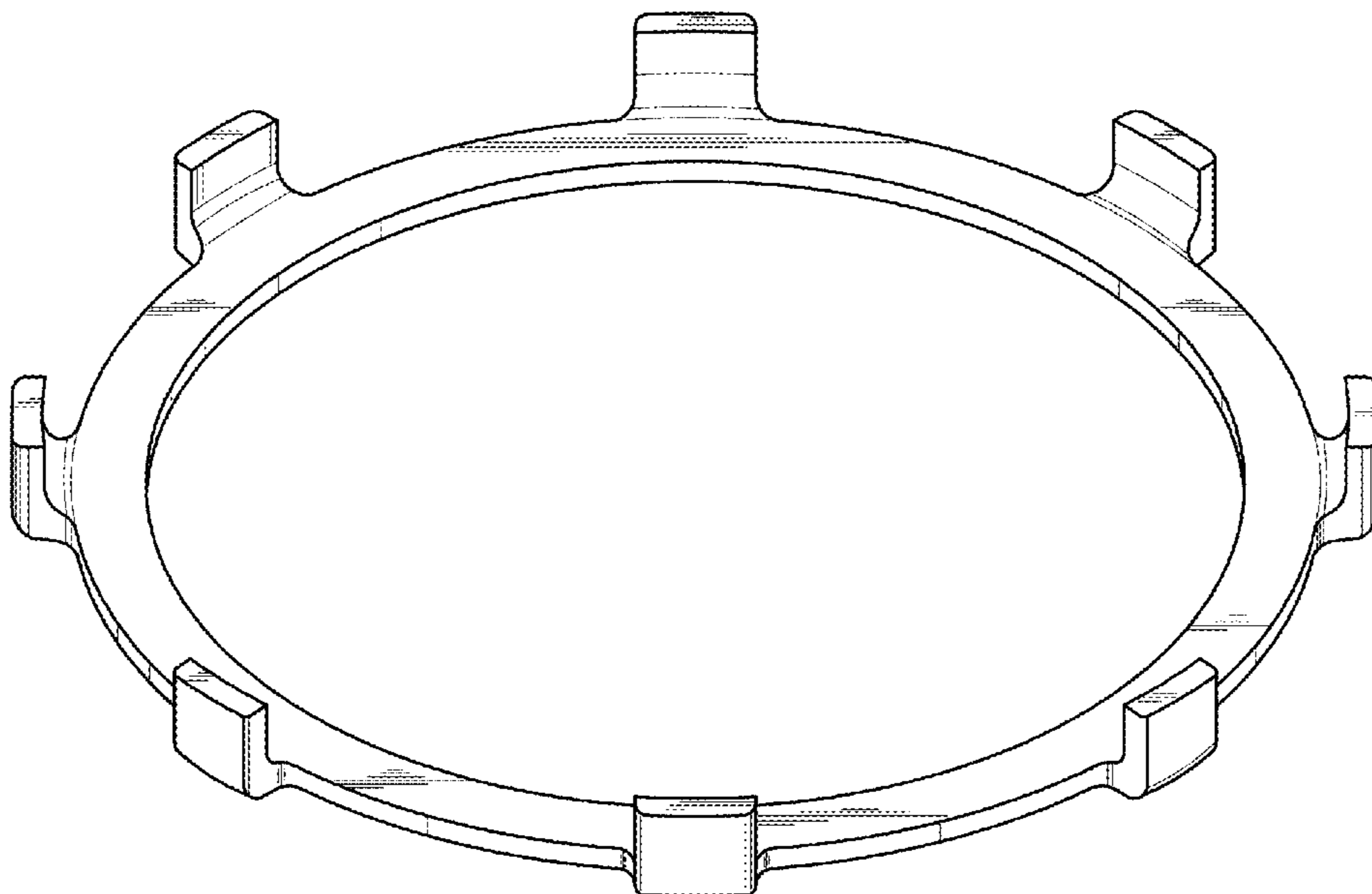
We claim the ornamental design for a dampening ring for compressor valve, as shown and described.

**DESCRIPTION**

FIG. 1 is a perspective view of the dampening ring for compressor valve showing our new design;  
FIG. 2 is a top view thereof;  
FIG. 3 is a side view thereof;  
FIG. 4 is a bottom view thereof; and,  
FIG. 5 is an exploded view of the dampening ring for compressor valve in use.

The broken lines shown in the figures are included for the purpose of illustrating environmental structure and form no part of the claimed design.

**1 Claim, 4 Drawing Sheets**



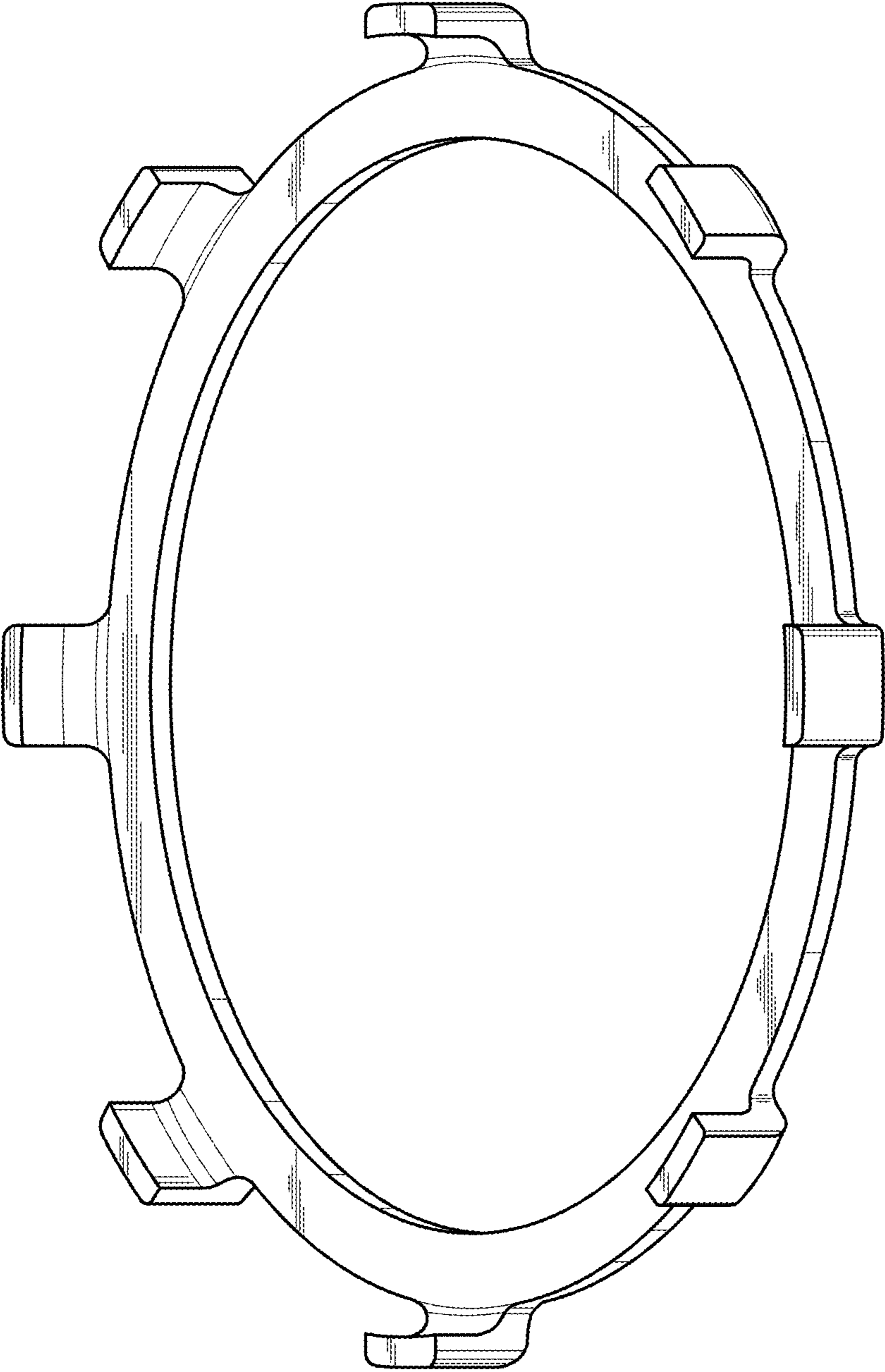


FIG. 1

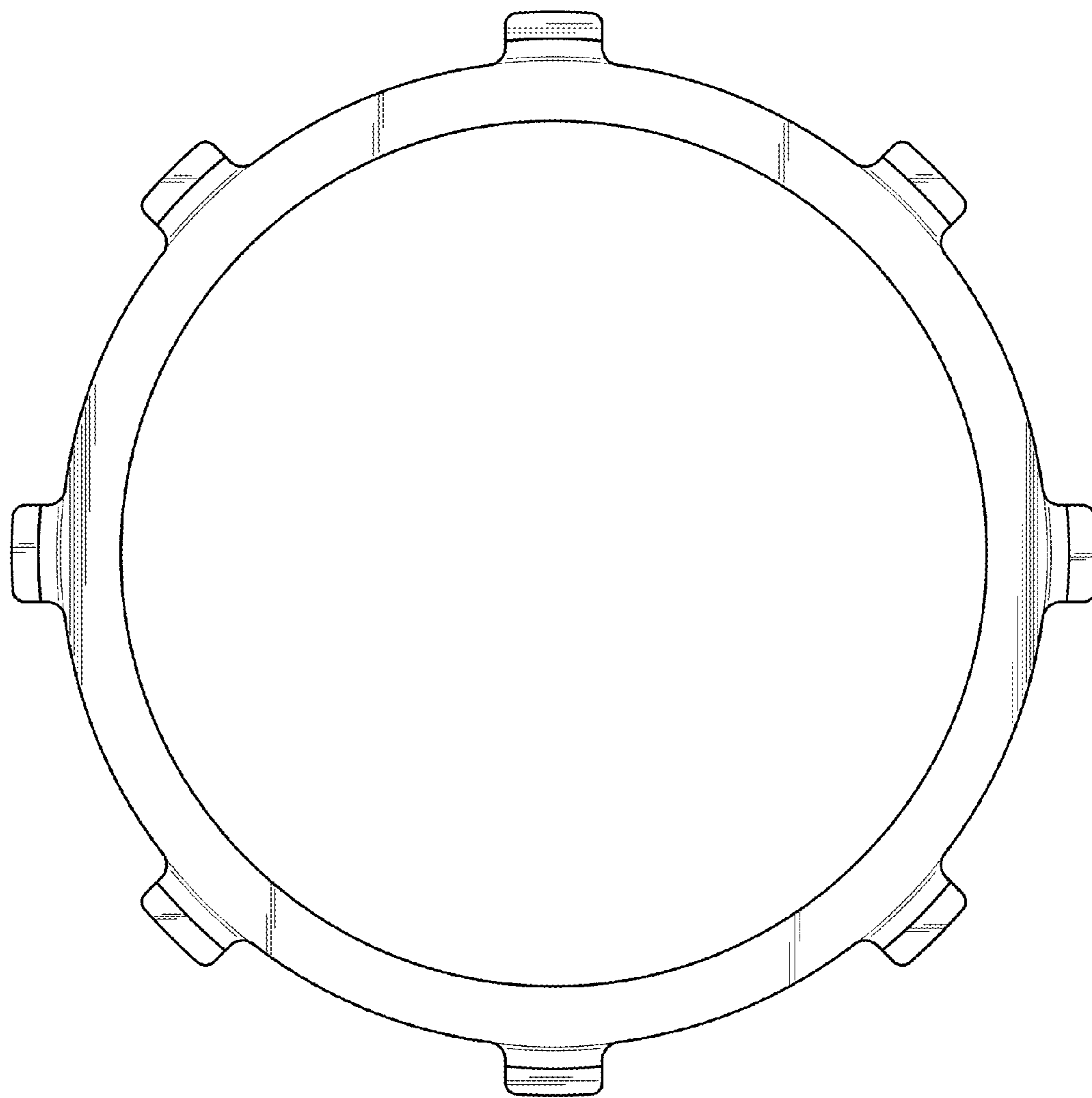


FIG. 2

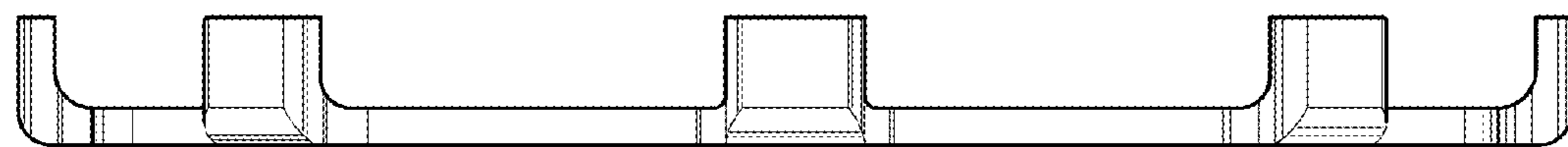


FIG. 3

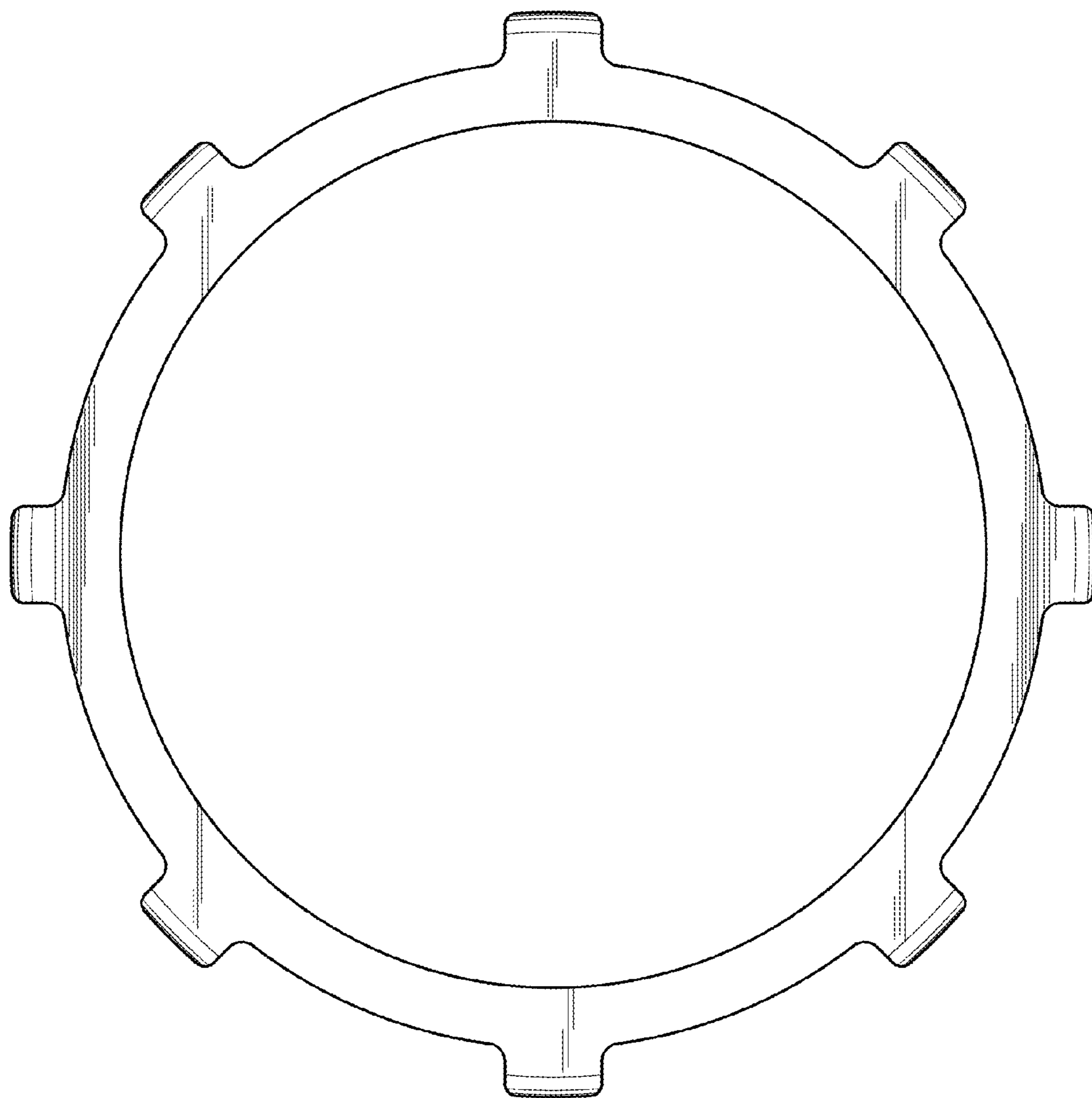


FIG. 4



FIG. 5

