



US00D757906S

(12) **United States Design Patent**  
**Flowers et al.**

(10) **Patent No.:** **US D757,906 S**  
(45) **Date of Patent:** **\*\* May 31, 2016**

(54) **3-HOLE BASIN MIXER**

(71) Applicant: **Grohe AG**, Hemer (DE)

(72) Inventors: **Paul Flowers**, London (GB); **Antoine Besseyre Des Horts**, Meerbusch (DE)

(73) Assignee: **Grohe AG**, Hemer (DE)

(\*\*) Term: **15 Years**

(21) Appl. No.: **29/538,749**

(22) Filed: **Sep. 8, 2015**

(30) **Foreign Application Priority Data**

Mar. 9, 2015 (EM) ..... 002648758-0003

(51) **LOC (10) Cl.** ..... **23-02**

(52) **U.S. Cl.**  
USPC ..... **D23/242**

(58) **Field of Classification Search**  
USPC ..... D23/238-243, 249-250, 252, 255, 257  
CPC ..... E03C 1/04; E03C 1/0401; E03C 1/0402;  
E03C 1/0404; F16K 31/602; F16K 31/605;  
F16K 31/607  
See application file for complete search history.

(56) **References Cited**

**U.S. PATENT DOCUMENTS**

D325,959 S \* 5/1992 Kolada ..... D23/252  
D393,052 S \* 3/1998 Lobermeier ..... D23/250

D533,636 S \* 12/2006 Chu ..... D23/241  
D578,614 S \* 10/2008 Fritz ..... D23/241  
D581,018 S \* 11/2008 Citterio ..... D23/241  
D636,467 S \* 4/2011 Schoenherr ..... D23/255  
D683,433 S \* 5/2013 Luh ..... D23/252

\* cited by examiner

*Primary Examiner* — Robert Delehanty

(74) *Attorney, Agent, or Firm* — Muncy, Geissler, Olds & Lowe, P.C.

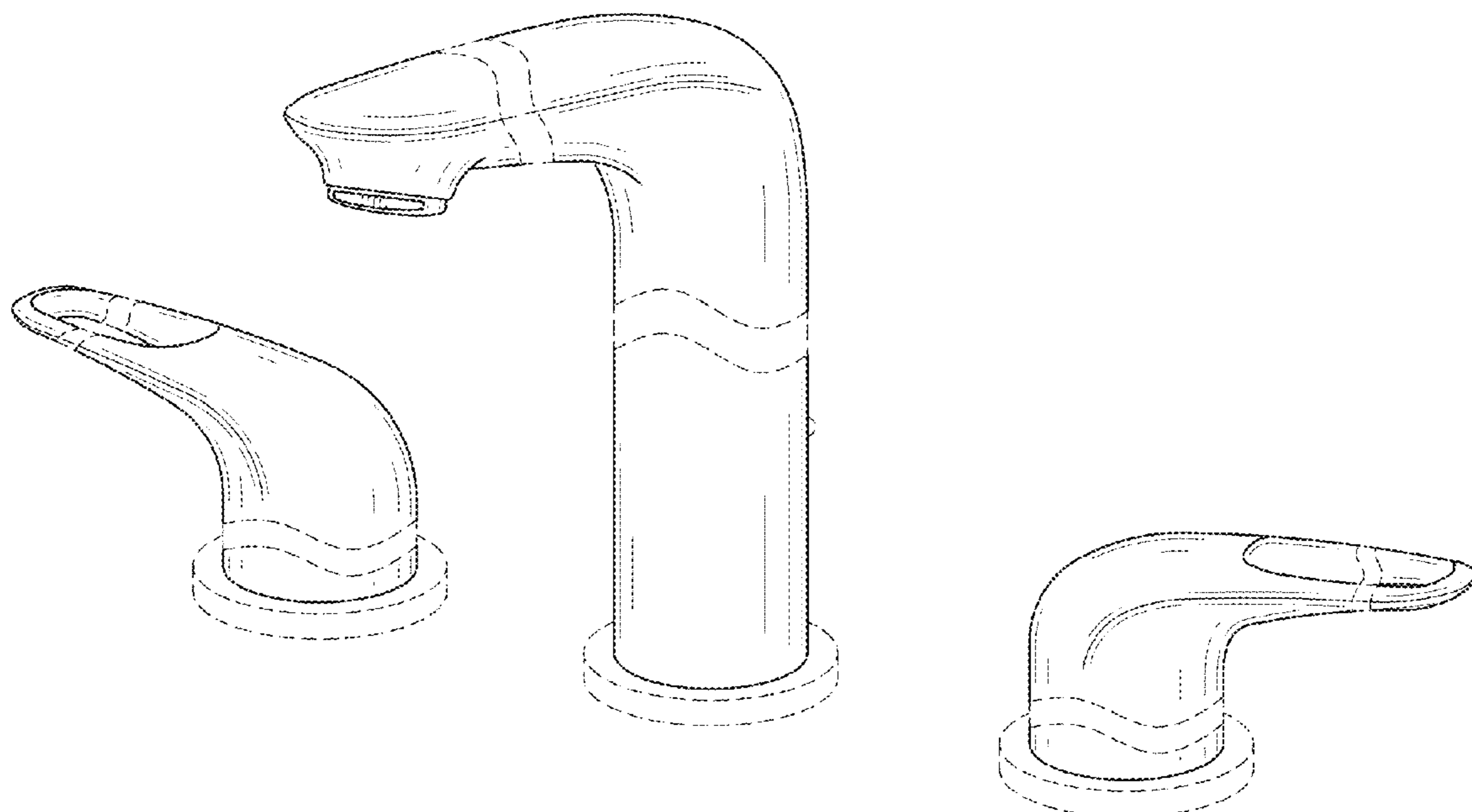
(57) **CLAIM**

The ornamental design for a 3-hole basin mixer, as shown and described.

**DESCRIPTION**

FIG. 1 is a front perspective view of a 3-hole basin mixer according to the present invention.  
FIG. 2 is a left side view of the 3-hole basin mixer of FIG. 1.  
FIG. 3 is a right side view of the 3-hole basin mixer of FIG. 1.  
FIG. 4 is a top view of the 3-hole basin mixer of FIG. 1.  
FIG. 5 is a bottom view of the 3-hole basin mixer of FIG. 1.  
FIG. 6 is a front view of the 3-hole basin mixer of FIG. 1; and, FIG. 7 is a rear view of the 3-hole basin mixer of FIG. 1.  
The dashed lines illustrate environment that does not form a part of the present invention, and no claim is made to the material illustrated with dashed lines.

**1 Claim, 7 Drawing Sheets**



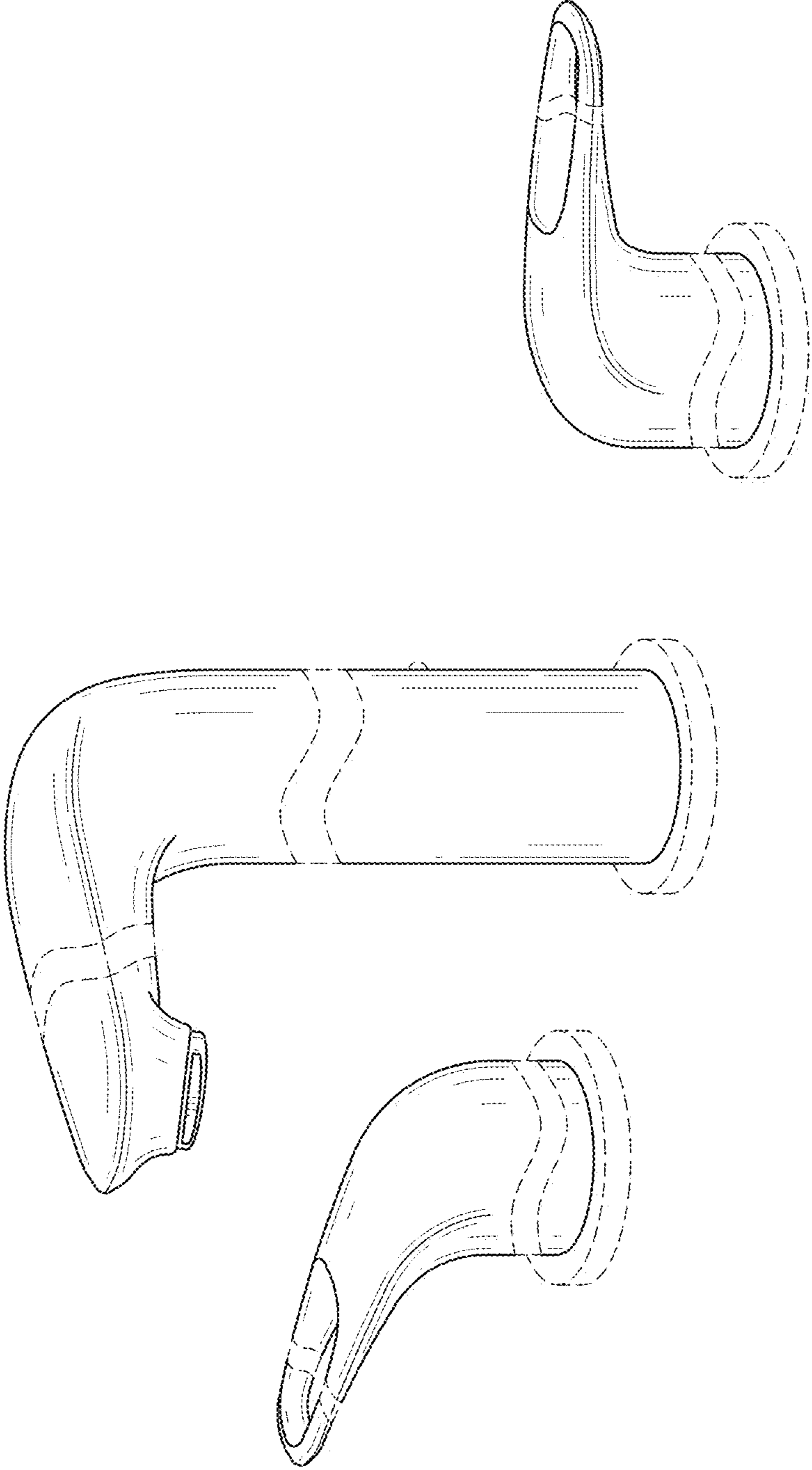


FIG.1

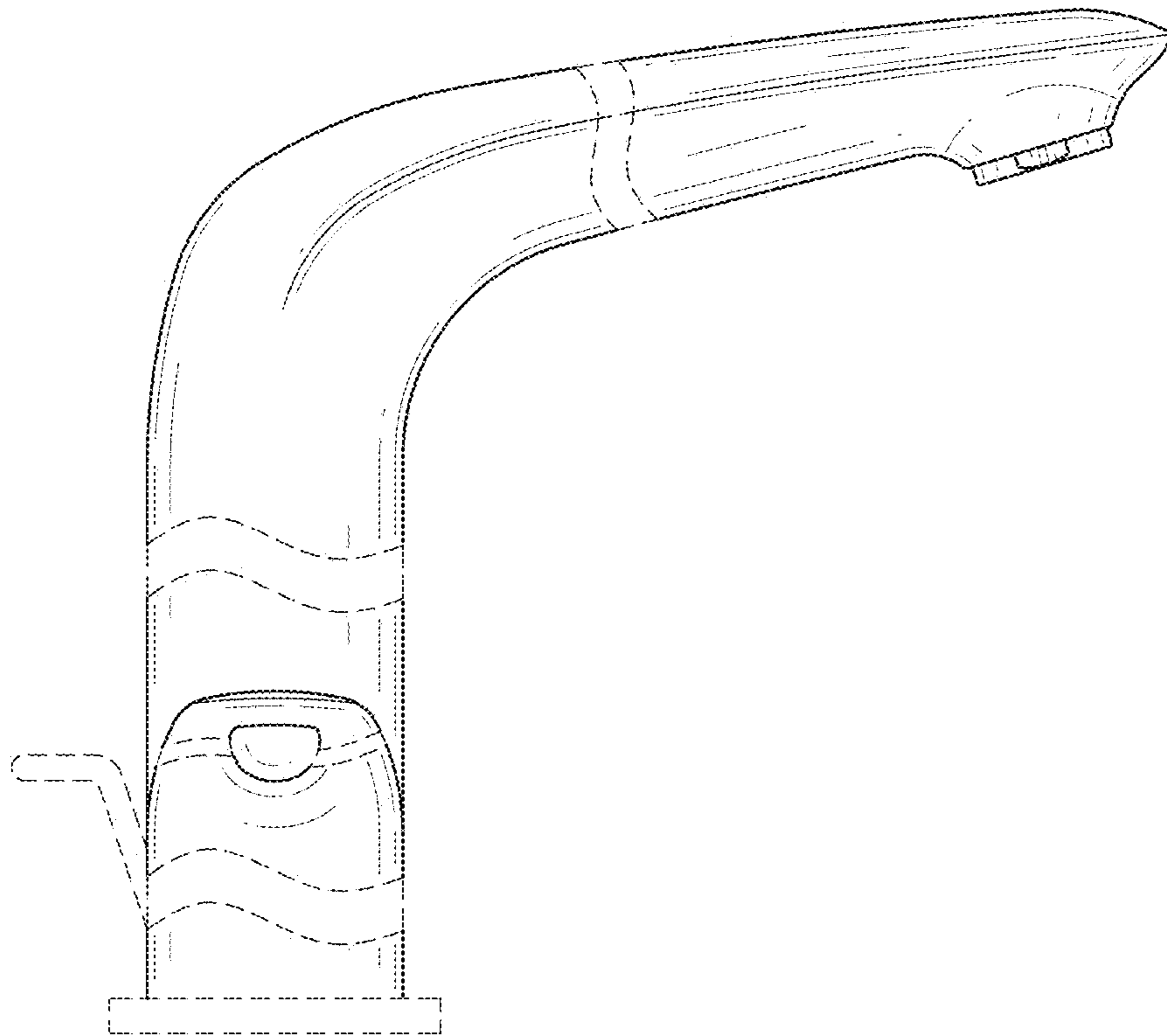


FIG.2

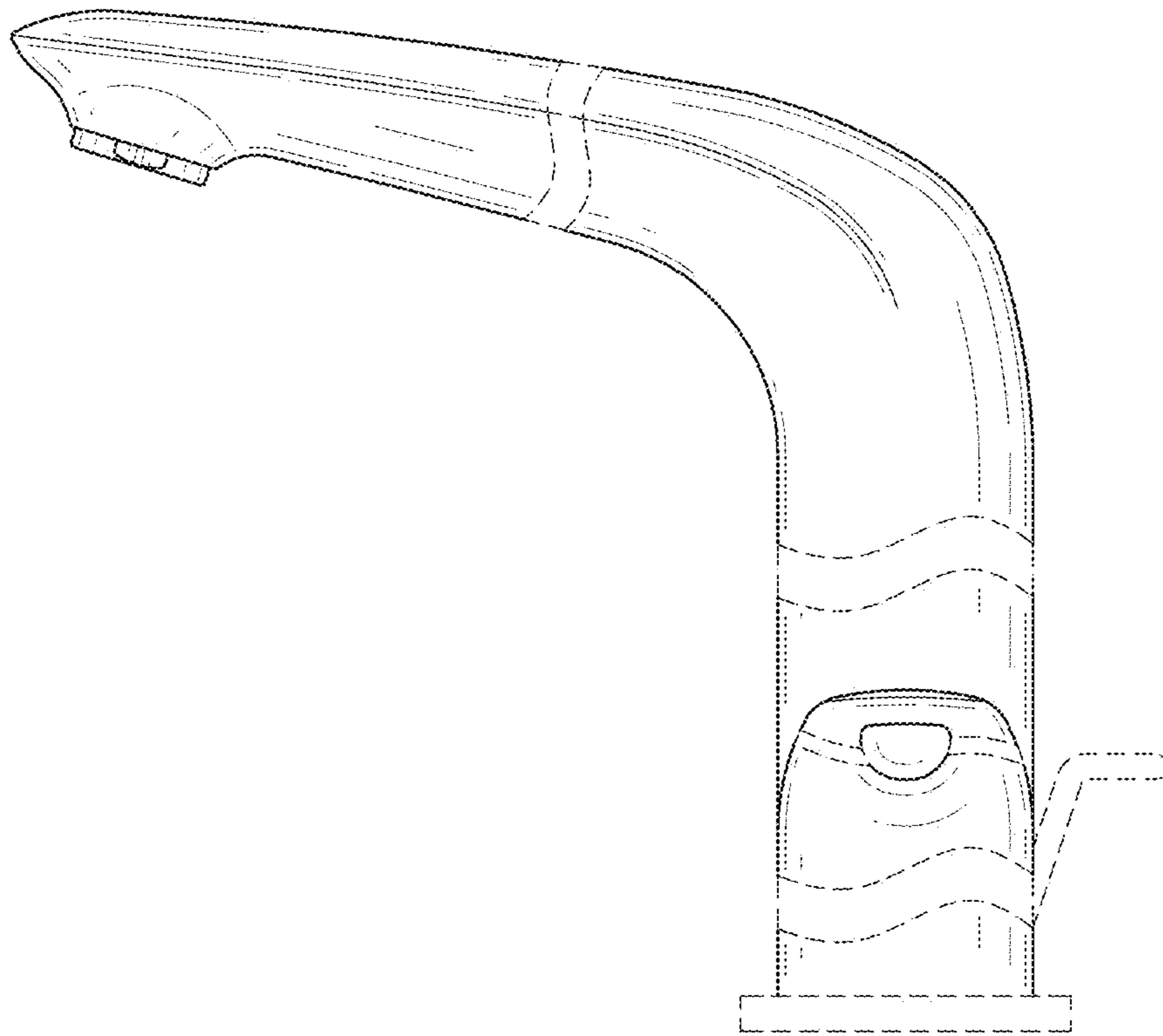


FIG.3

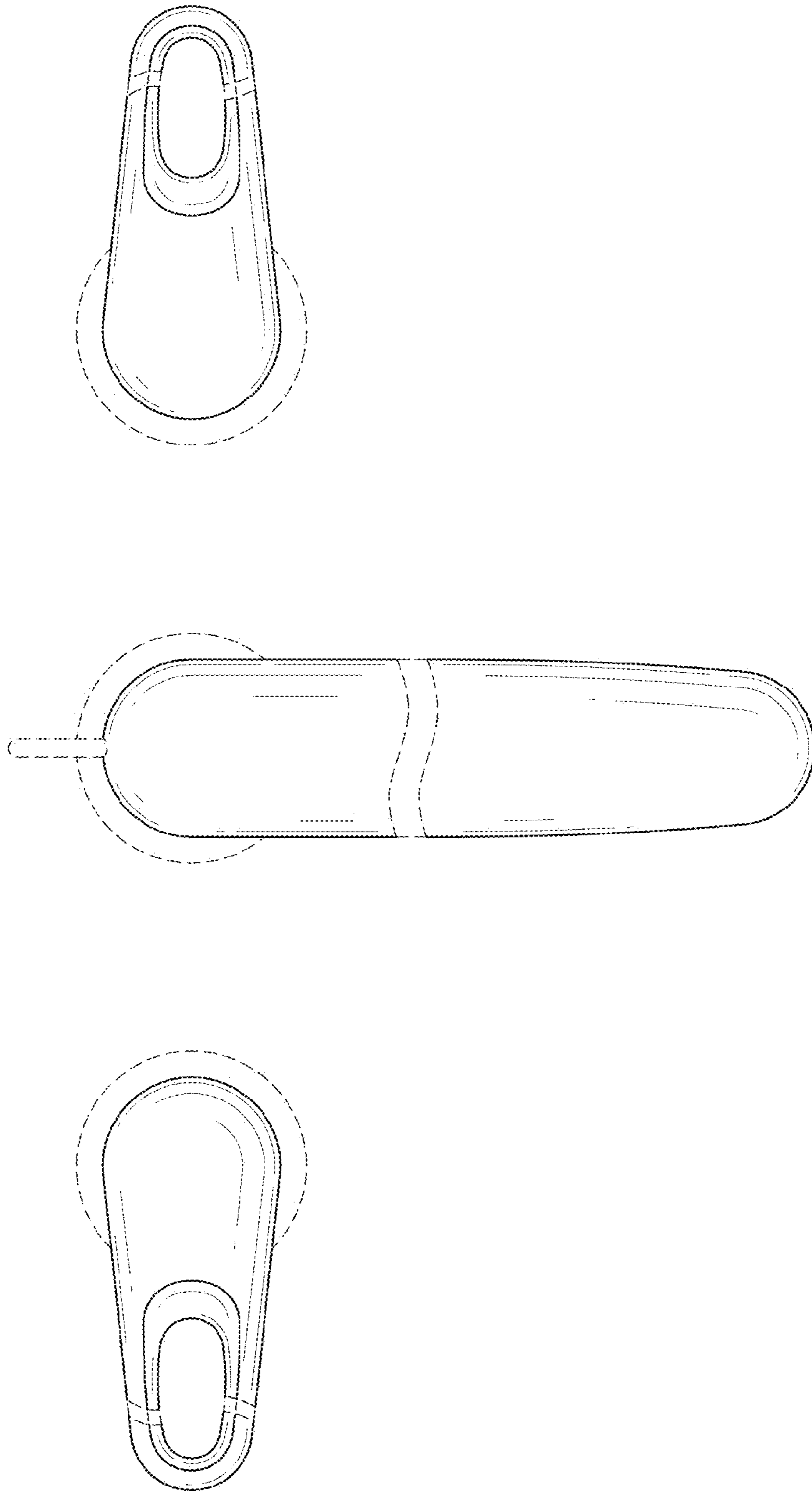


FIG. 4

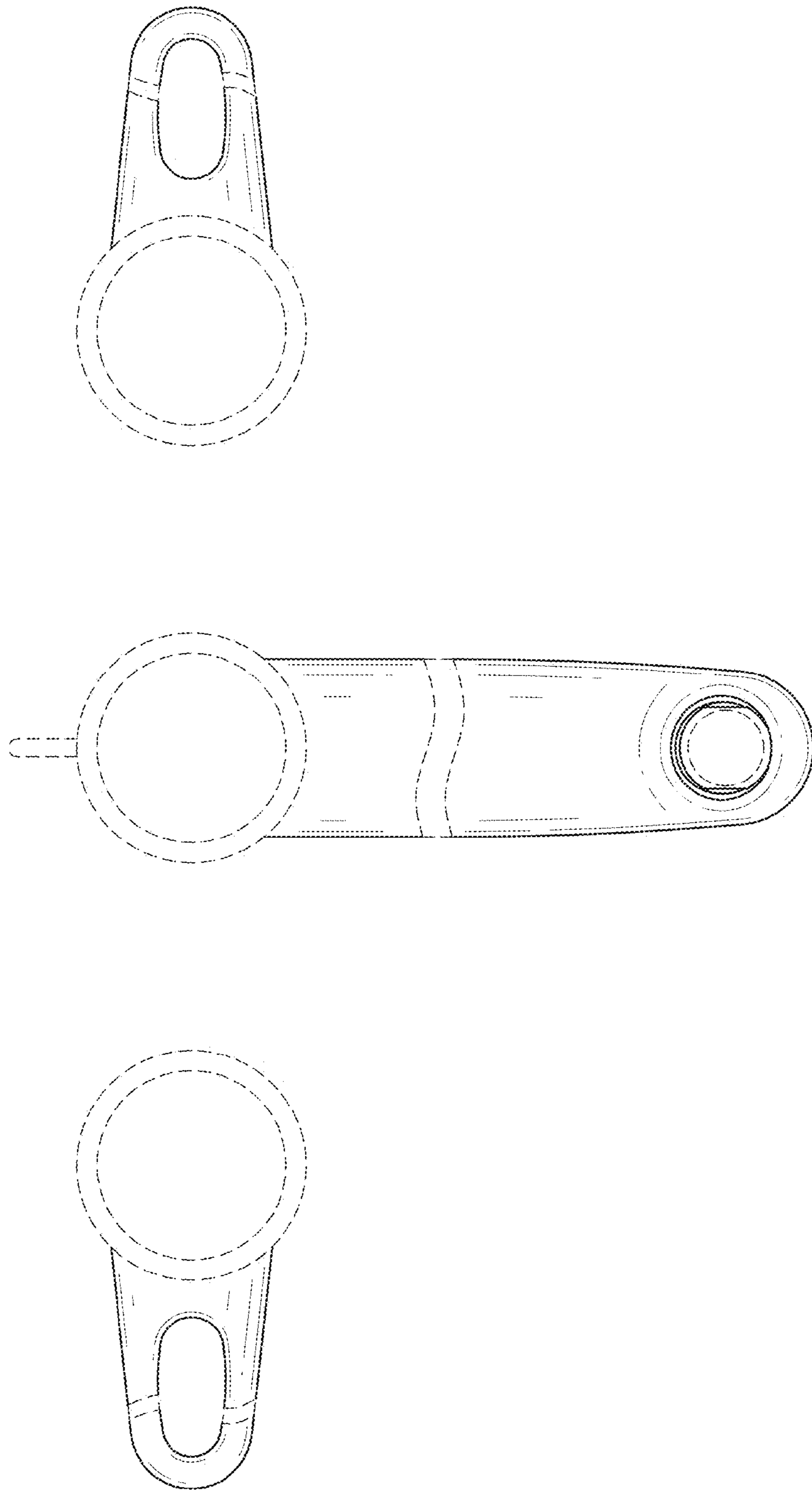


FIG. 5

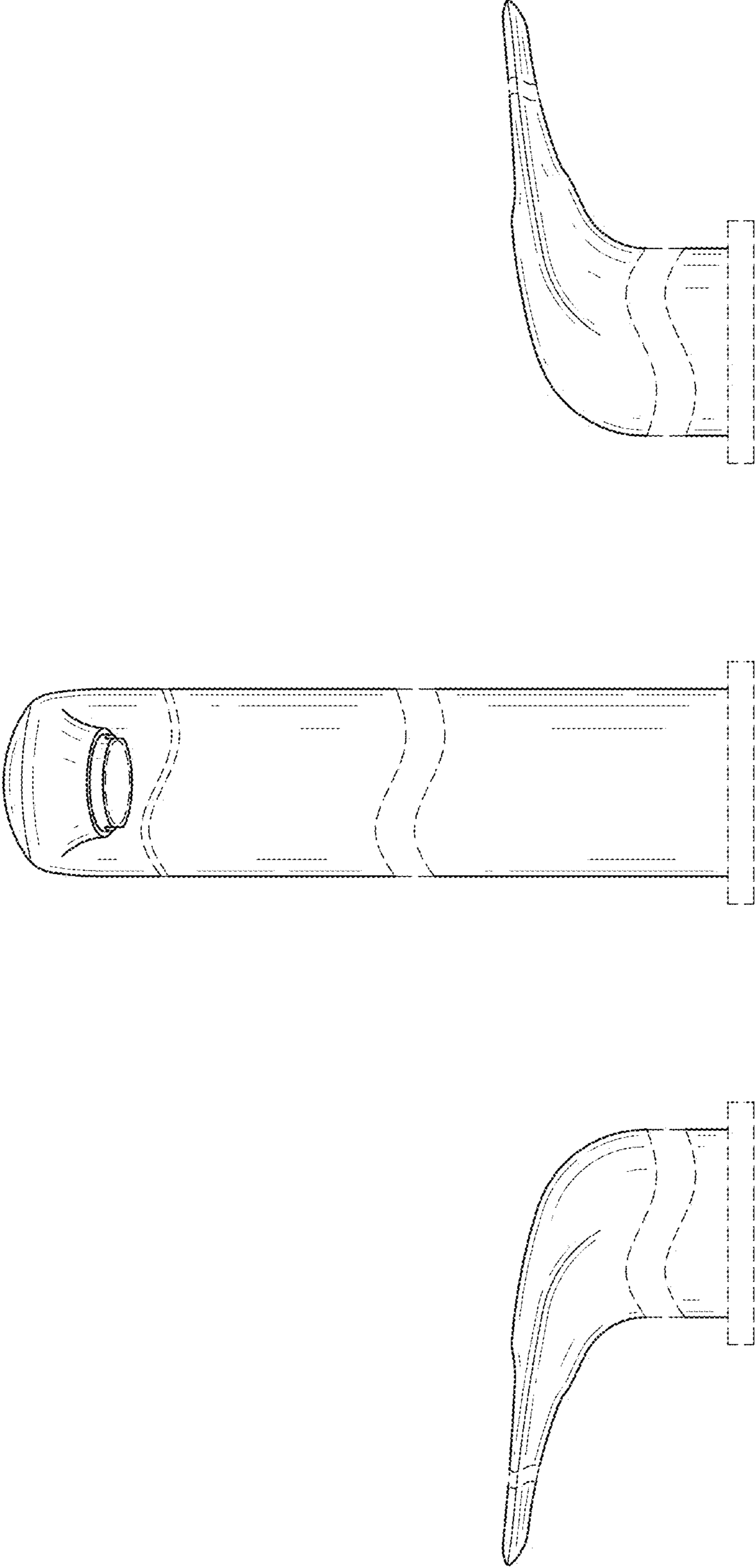


FIG.6

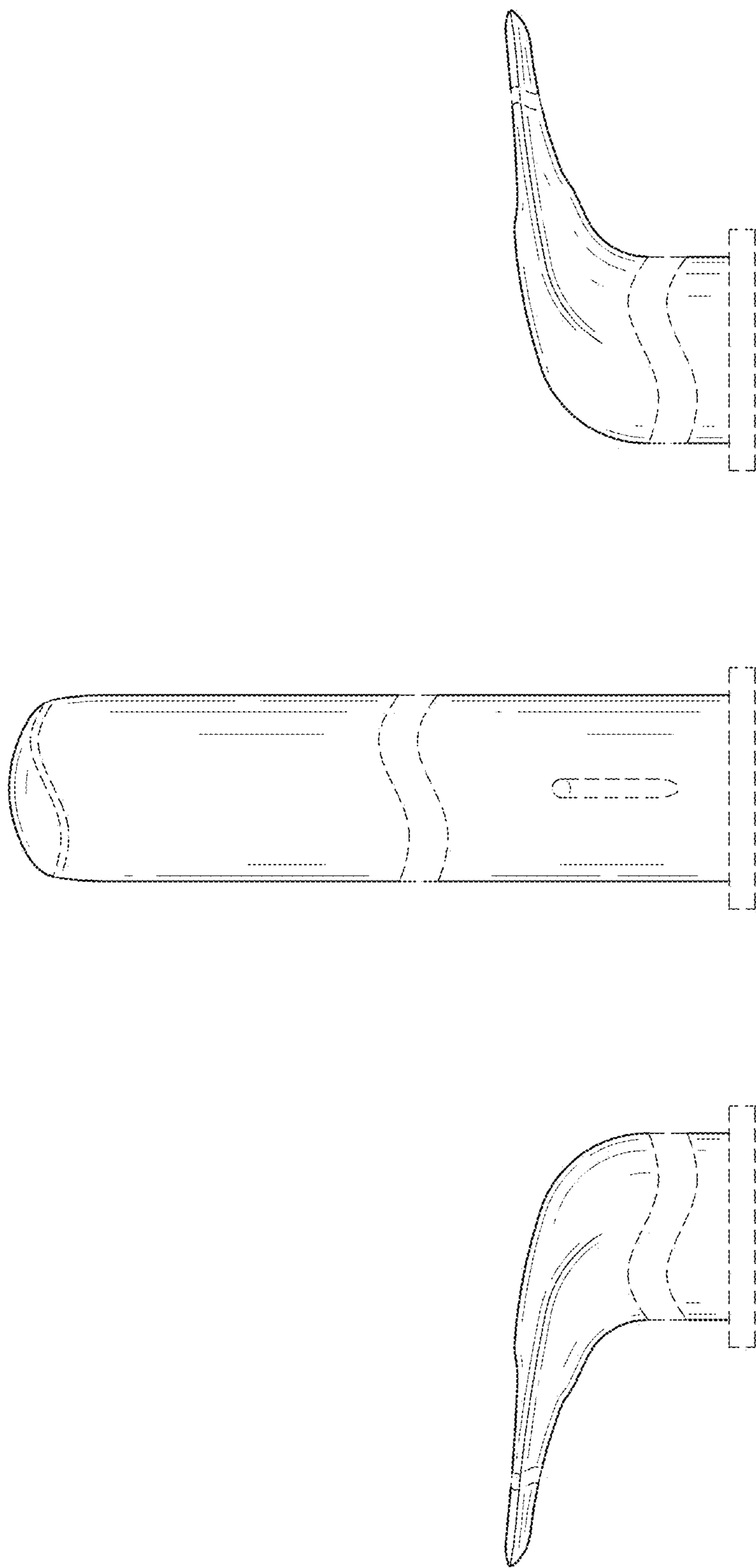


FIG. 7