



US00D757903S

(12) **United States Design Patent**  
**Schoenherr et al.**

(10) **Patent No.:** **US D757,903 S**  
(45) **Date of Patent:** **\*\* May 31, 2016**

(54) **FAUCET**

- (71) Applicant: **Hansgrohe SE**, Schiltach (DE)
- (72) Inventors: **Tom Schoenherr**, Stuttgart (DE);  
**Andreas Diefenbach**,  
Ludwigsburg-Oßweil (DE)
- (73) Assignee: **Hansgrohe SE**, Schiltach (DE)
- (\*\*) Term: **15 Years**
- (21) Appl. No.: **29/534,143**
- (22) Filed: **Jul. 27, 2015**
- (30) **Foreign Application Priority Data**

Feb. 2, 2015 (EM) ..... 002625244-0009

(51) **LOC (10) Cl.** ..... **23-01**

(52) **U.S. Cl.**  
USPC ..... **D23/238**

(58) **Field of Classification Search**  
USPC ..... D23/238-243, 249-250, 252, 255, 257  
CPC ..... E03C 1/04; E03C 1/0401; E03C 1/0402;  
E03C 1/0404; F16K 31/602; F16K 31/605;  
F16K 31/607  
See application file for complete search history.

(56) **References Cited**

**U.S. PATENT DOCUMENTS**

D635,648 S 4/2011 Schoenherr et al.

**FOREIGN PATENT DOCUMENTS**

CN	302436517	5/2013
EM	002171231-0001	1/2013
EM	002506147-0001	7/2014

*Primary Examiner* — Robert Delehanty

(74) *Attorney, Agent, or Firm* — Lora J. Graentzdoerffer

(57) **CLAIM**

The ornamental design for a faucet, as shown and described.

**DESCRIPTION**

FIG. 1 is a perspective view of a faucet showing our design;  
FIG. 2 is a front elevation view;  
FIG. 3 is a rear elevation view;  
FIG. 4 is a right side elevation view;  
FIG. 5 is a left side elevation view;  
FIG. 6 is a top plan view; and,  
FIG. 7 is a bottom plan view.

The broken-line disclosure in the views represents portions of the faucet in which the claimed design is embodied, but which form no part of the claimed design.

**1 Claim, 7 Drawing Sheets**

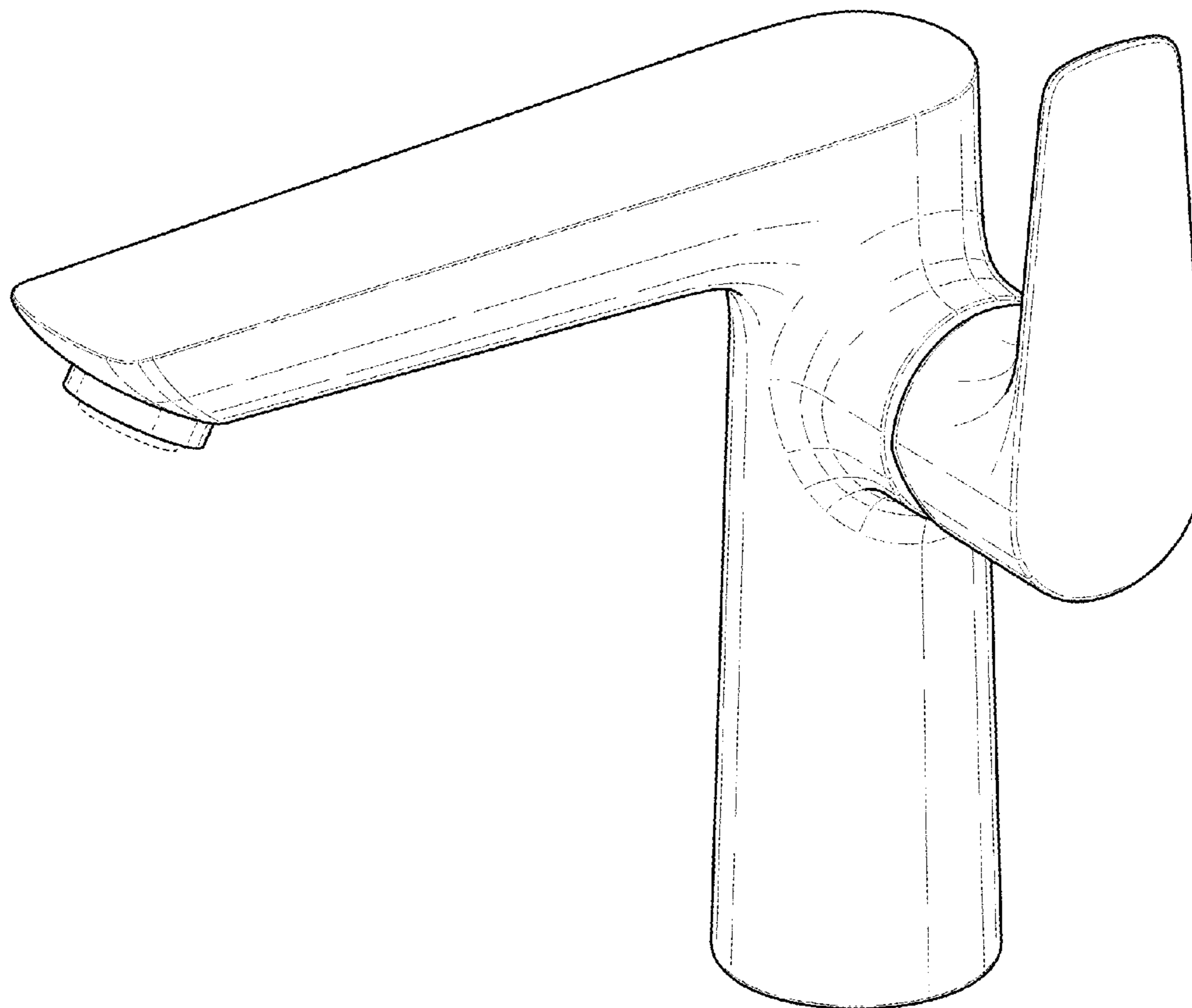


FIG. 1

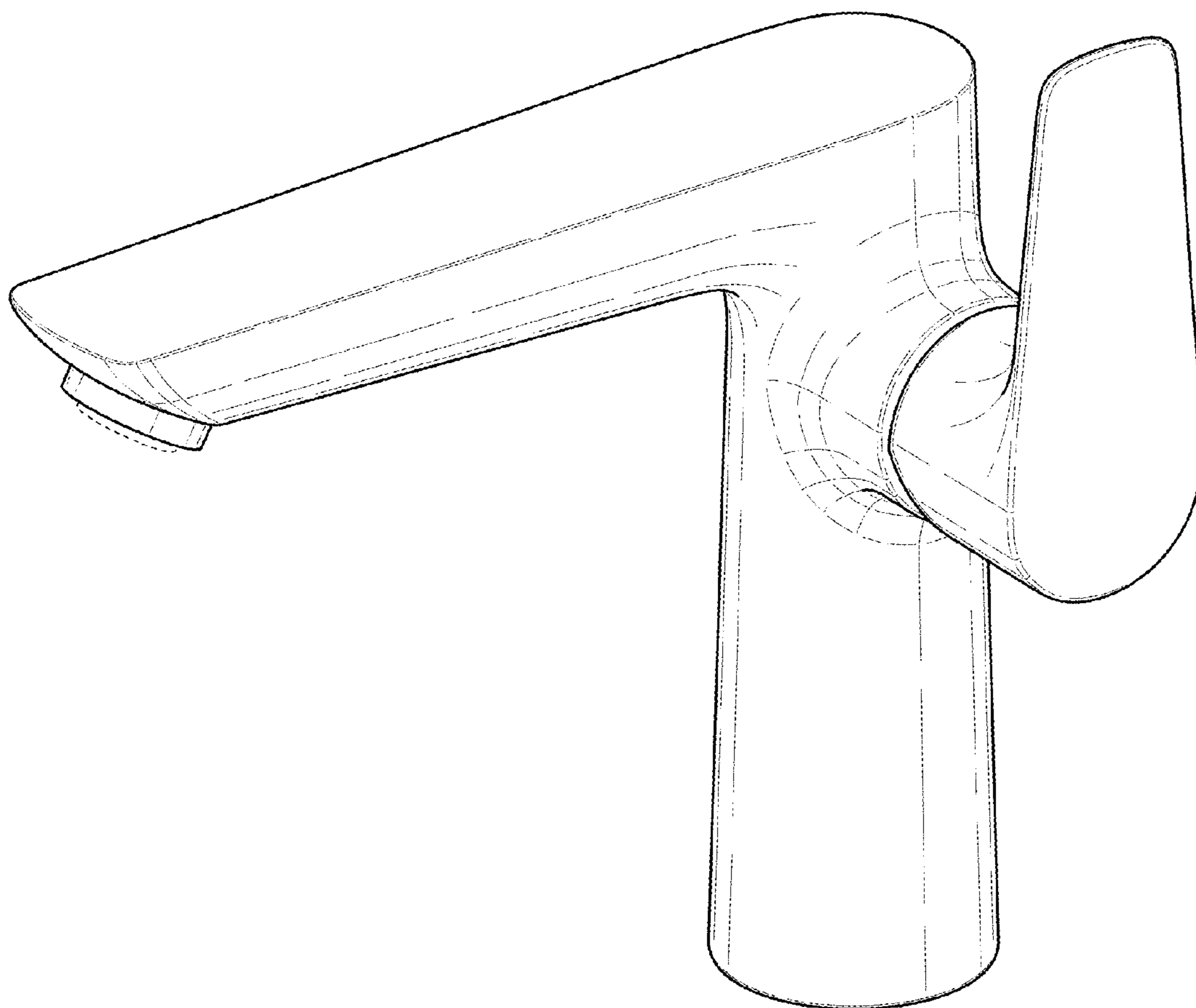


FIG. 2

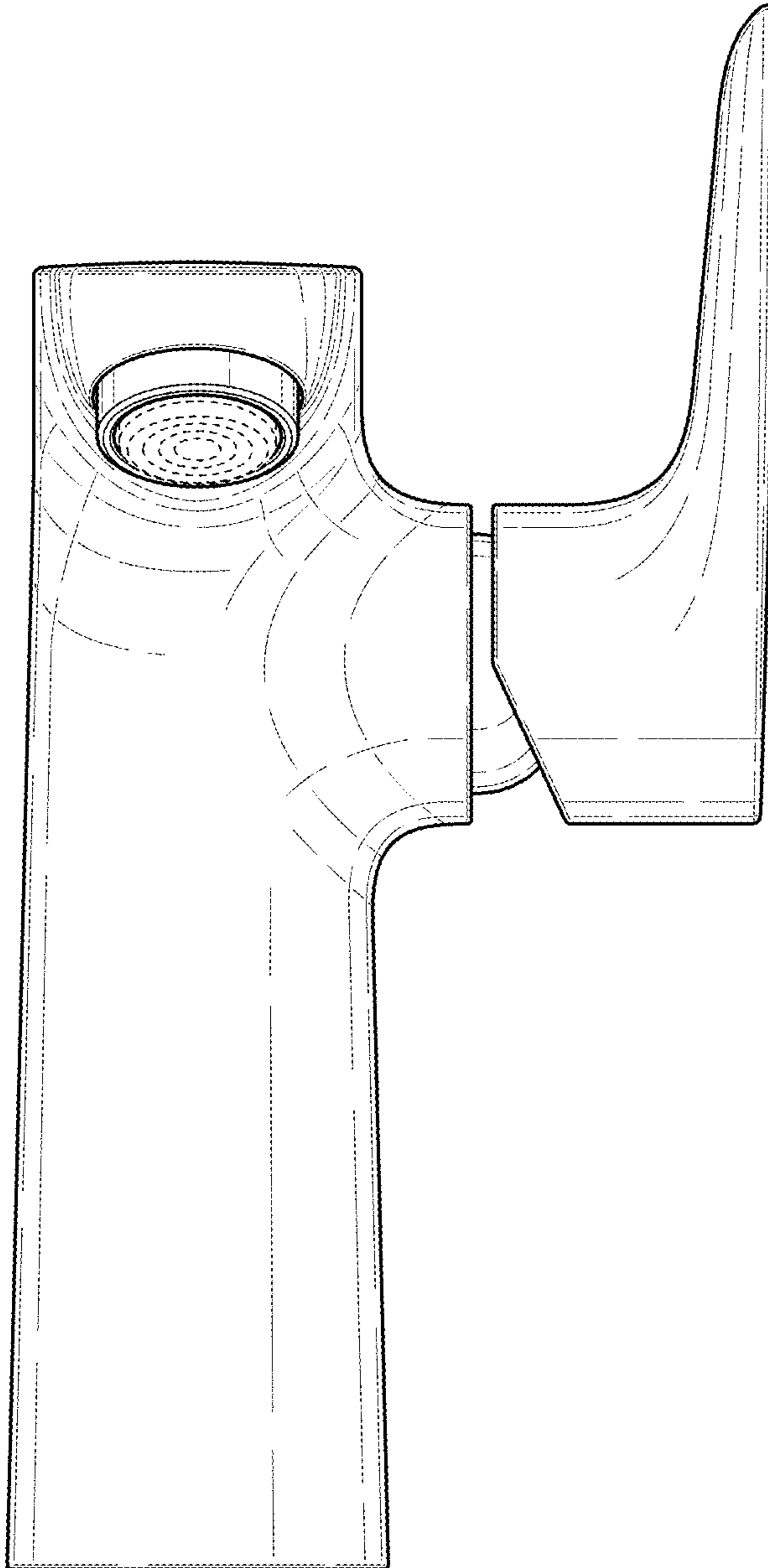


FIG. 3

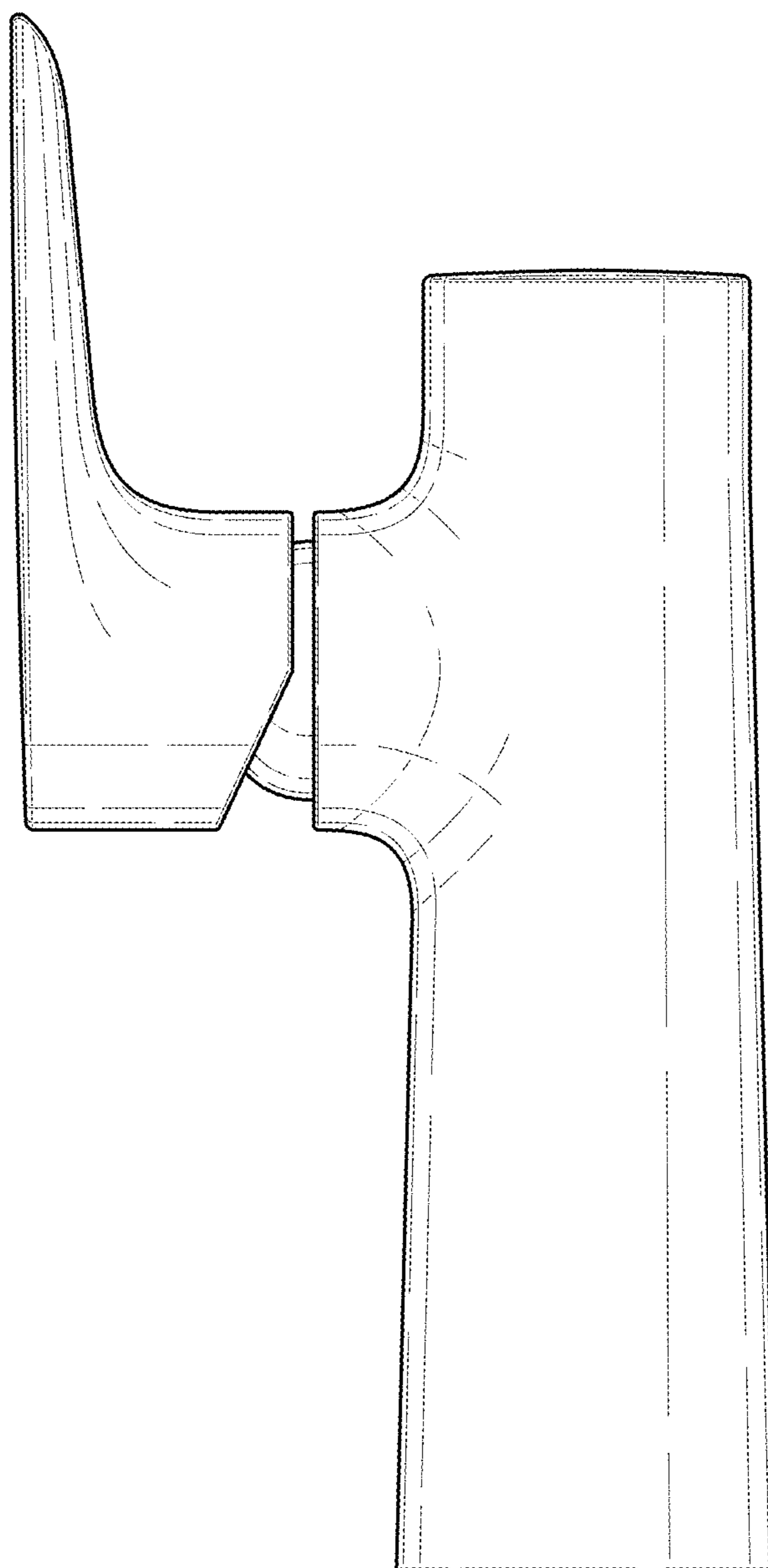


FIG. 4

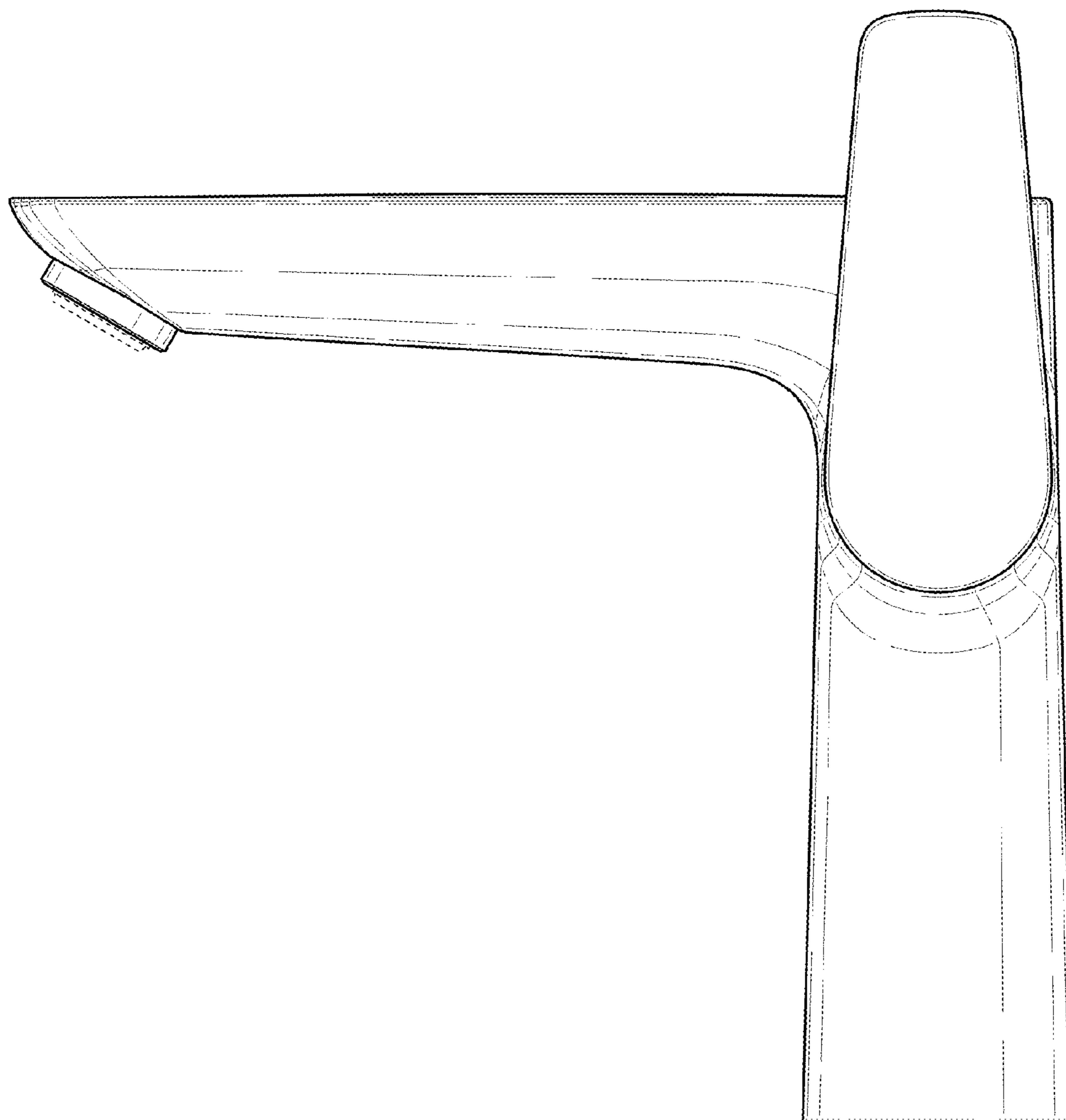


FIG. 5

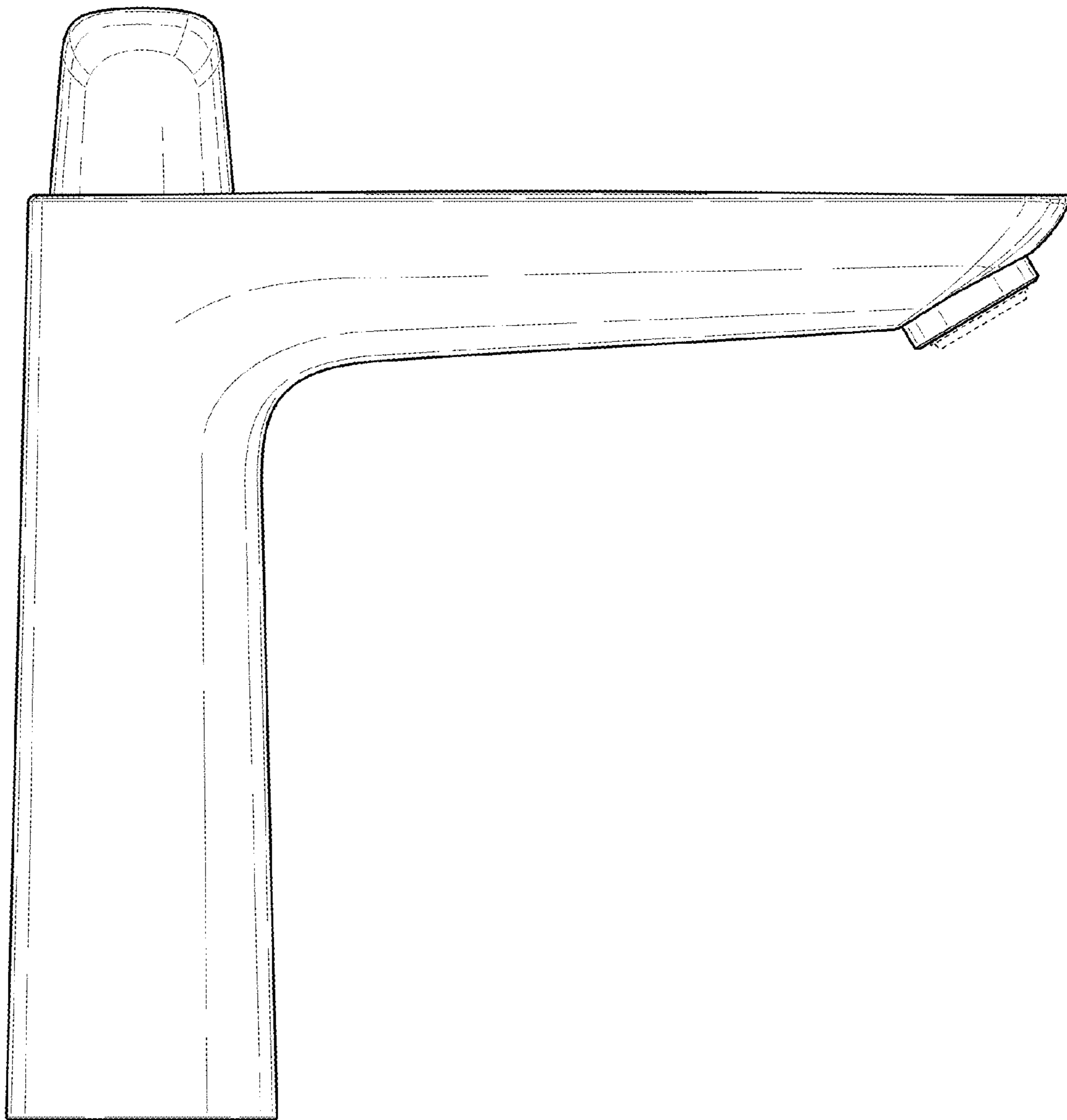


FIG. 6

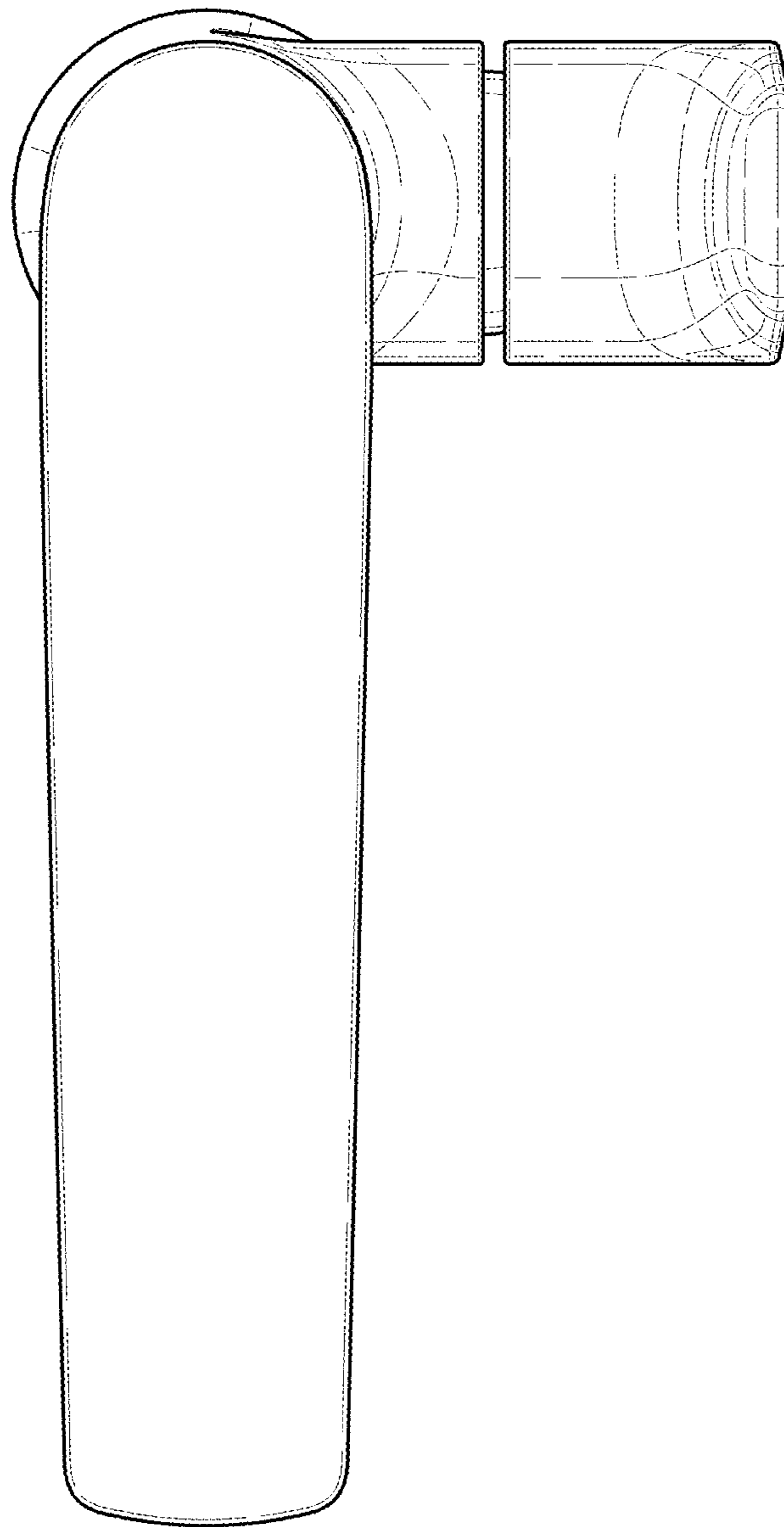


FIG. 7

