

US00D757899S

(12) **United States Design Patent**
Fulkerson

(10) **Patent No.:** **US D757,899 S**

(45) **Date of Patent:** **** May 31, 2016**

(54) **PUMP VALVE HOUSING**

(71) Applicant: **Nordson Corporation**, Westlake, OH
(US)

(72) Inventor: **Terrence M. Fulkerson**, Brunswick
Hills, OH (US)

(73) Assignee: **NORDSON CORPORATION**,
Westlake, OH (US)

(**) Term: **14 Years**

(21) Appl. No.: **29/486,772**

(22) Filed: **Apr. 2, 2014**

(51) **LOC (10) Cl.** **23-01**

(52) **U.S. Cl.**
USPC **D23/233**

(58) **Field of Classification Search**
USPC D23/233-237, 244-247; 137/15.04,
137/116.3, 15.08, 515, 505, 505.42, 859,
137/595, 527, 554, 556; 251/7, 322, 324,
251/332, 333, 129.15, 181, 174, 129.16,
251/129.19
CPC F16K 15/00; F16K 15/18; F16K 15/026;
F16K 15/044; B60T 17/04
See application file for complete search history.

(56) **References Cited**

U.S. PATENT DOCUMENTS

D234,359 S * 2/1975 Holben et al. D23/235
D236,266 S * 8/1975 Holben D23/235
D301,914 S * 6/1989 Ogasawara et al. D23/209

D359,102 S * 6/1995 Bouc et al. D23/233
D519,605 S * 4/2006 Rodriguez et al. D23/233
D522,615 S * 6/2006 Kleffmann et al. D23/233
7,997,878 B2 8/2011 Fulkerson
D652,116 S * 1/2012 Fukushima D23/235
D692,983 S * 11/2013 Nissen et al. D23/233
D697,587 S * 1/2014 Nissen et al. D23/233
D699,815 S * 2/2014 Petersen D23/233
D720,430 S * 12/2014 Yoshida et al. D23/233
D726,875 S * 4/2015 Wong et al. D23/233

* cited by examiner

Primary Examiner — Cynthia Ramirez

(74) *Attorney, Agent, or Firm* — Baker & Hostetler LLP

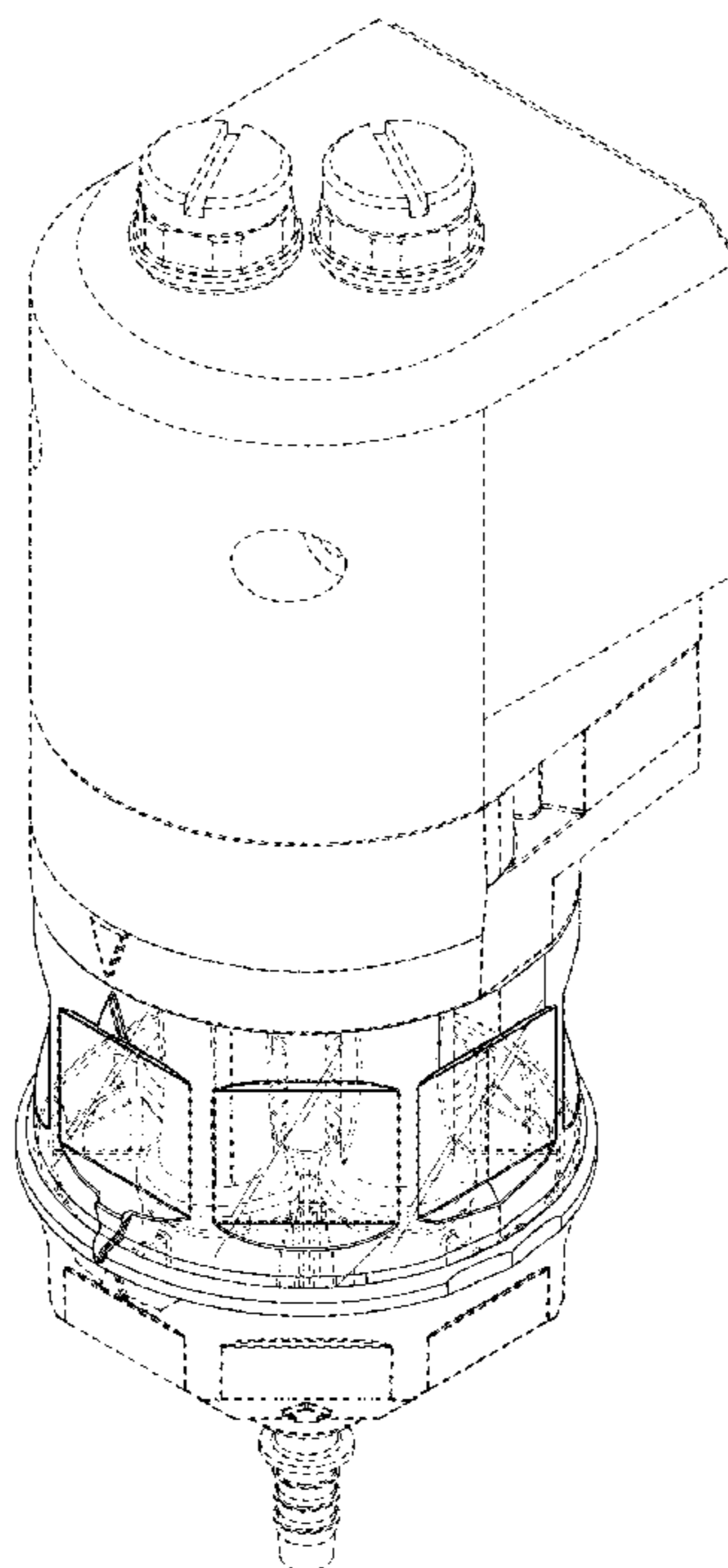
(57) **CLAIM**

The ornamental design for a pump valve housing, as shown and described.

DESCRIPTION

FIG. 1 is a perspective view of the pump valve housing;
FIG. 2 is a front elevational view of the pump valve housing of FIG. 1;
FIG. 3 is a right side elevational view of the pump valve housing of FIG. 1;
FIG. 4 is a top plan view of the pump valve housing of FIG. 1;
and,
FIG. 5 is a bottom plan view of the pump valve housing of FIG. 1.
The broken lines shown in the figures are included for the purpose of illustrating portions of the pump valve housing and form no part of the claimed design.

1 Claim, 3 Drawing Sheets



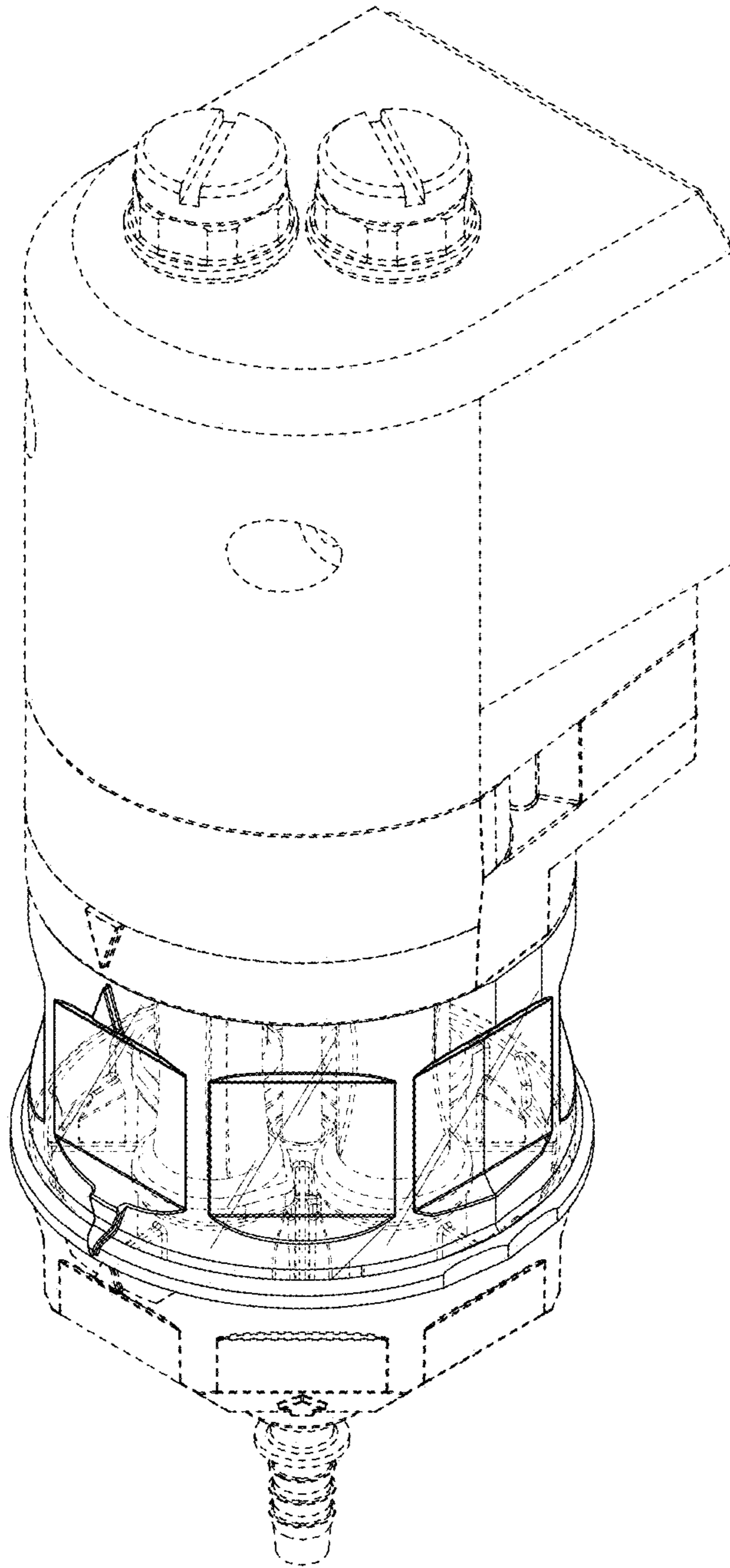


FIG. 1

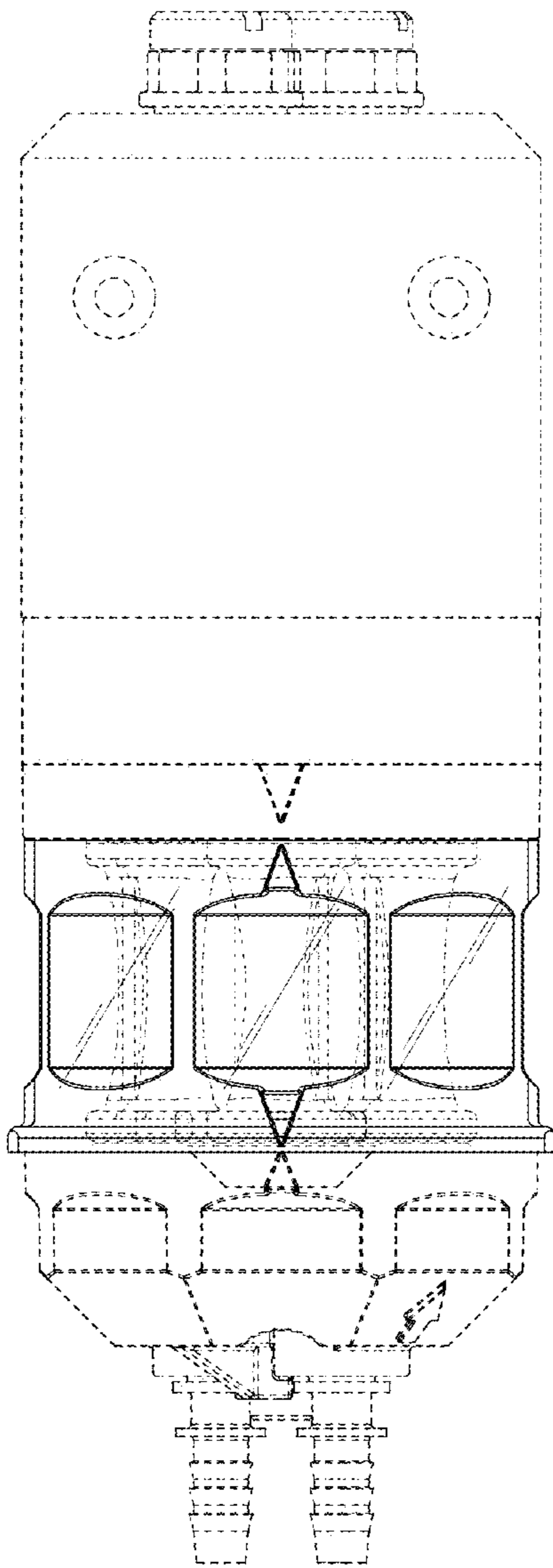


FIG. 2

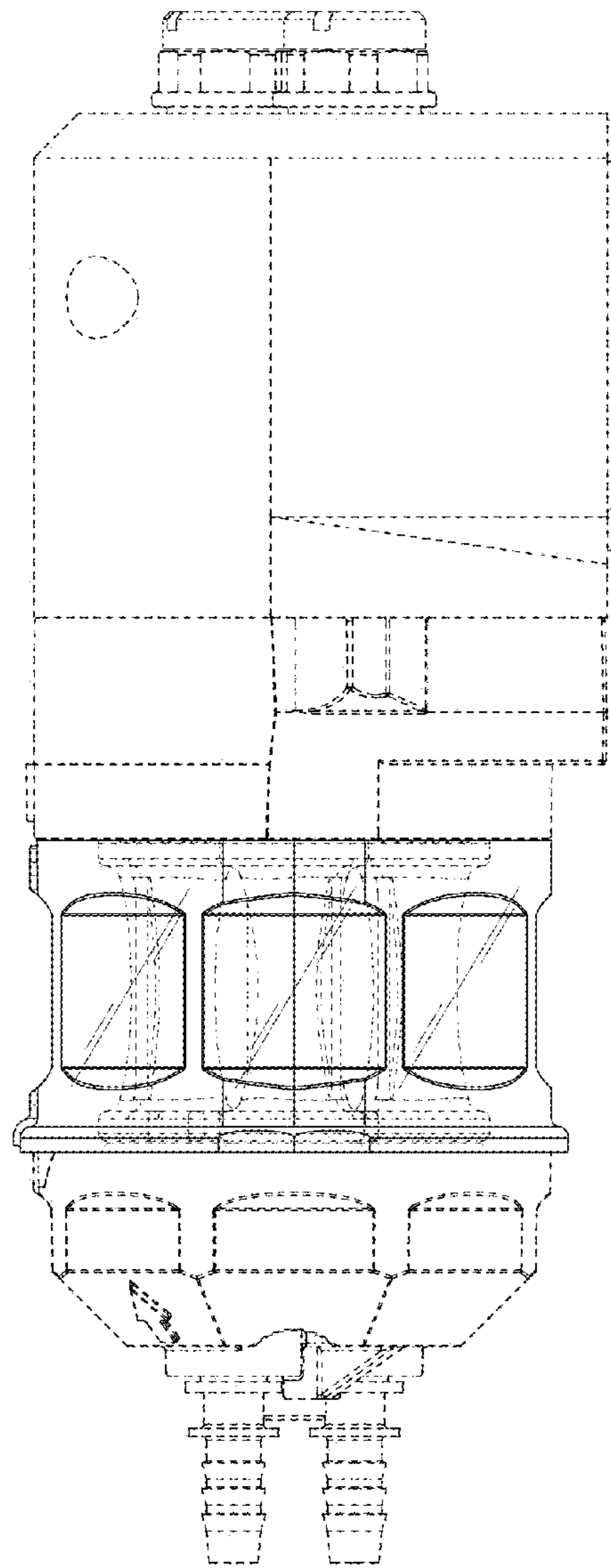


FIG. 3

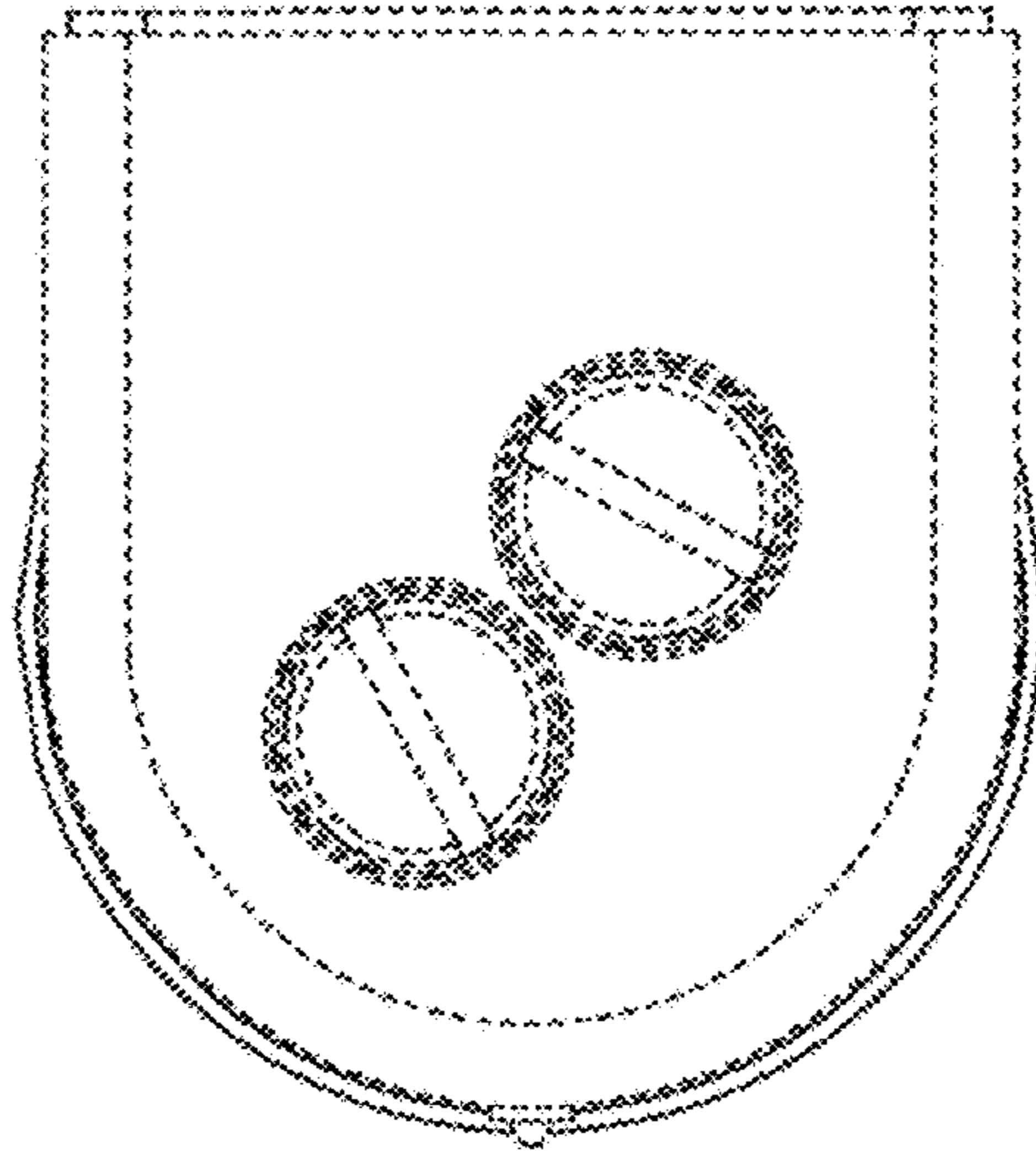


FIG. 4

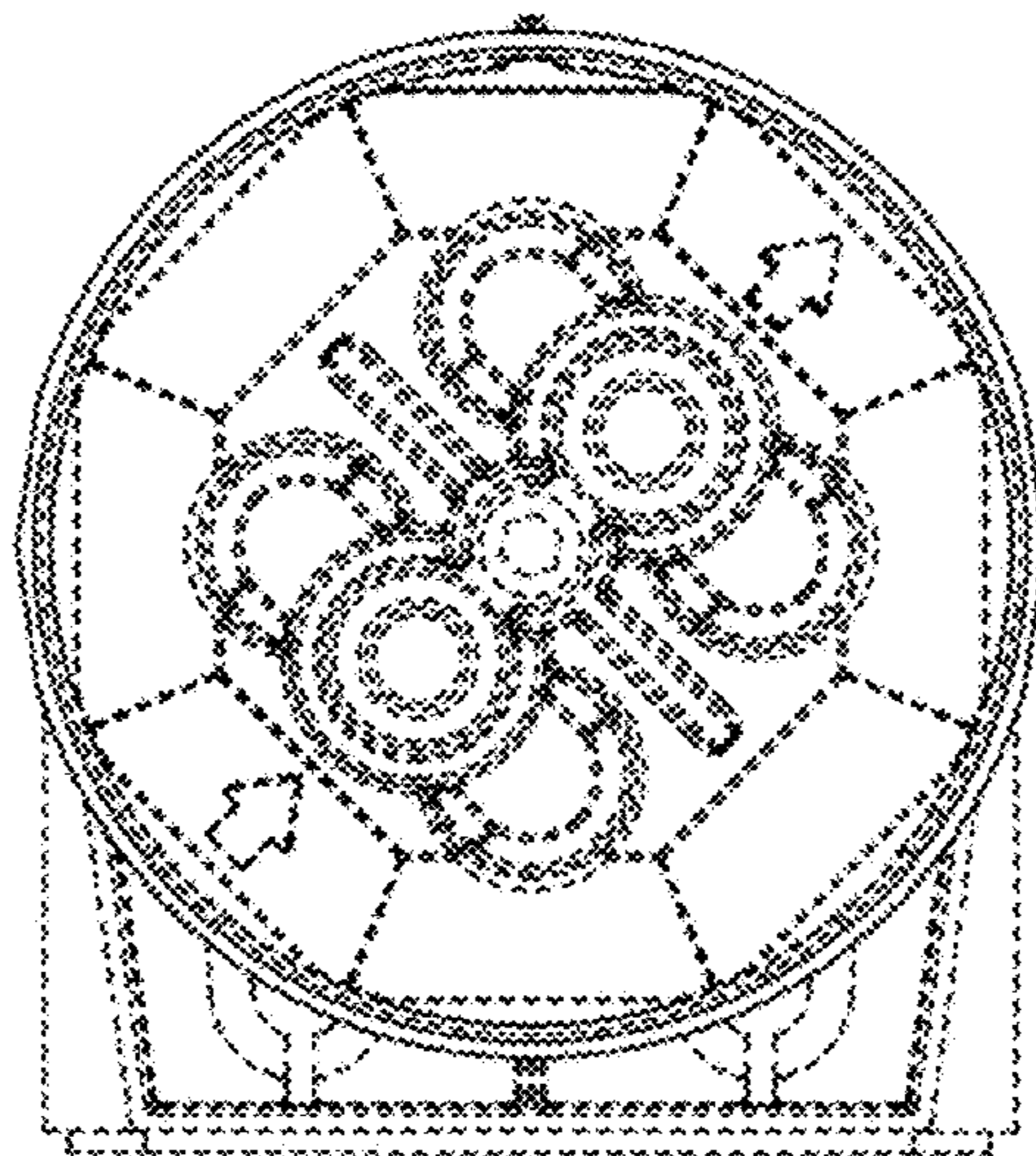


FIG. 5