



US00D757898S

(12) **United States Design Patent**  
**Yu**

(10) **Patent No.:** **US D757,898 S**

(45) **Date of Patent:** **\*\* May 31, 2016**

(54) **WATER SPRAY GUN**

(71) Applicants: **AQUALEAN MANUFACTURING ASSOCIATES CO., LTD.**, Taipei (TW);  
**VERDUREWIN ENTERPRISE CO., LTD.**, Changhua, Changhua Hsien (TW)

(72) Inventor: **Pin-Hsien Yu**, Taipei (TW)

(73) Assignees: **AQUALEAN MANUFACTURING ASSOCIATES CO., LTD.**, Taipei (TW);  
**VERDUREWIN ENTERPRISE CO., LTD.**, Changhua, Changhua Hsien (TW)

(\*\*) Term: **15 Years**

(21) Appl. No.: **29/541,113**

(22) Filed: **Sep. 30, 2015**

(51) **LOC (10) Cl.** ..... **23-01**

(52) **U.S. Cl.**  
USPC ..... **D23/226**

(58) **Field of Classification Search**  
USPC ..... D23/213, 223, 226, 229, 230; 239/526, 239/530  
CPC ..... B05B 9/01; B05B 1/005; B05B 1/18  
See application file for complete search history.

(56) **References Cited**

U.S. PATENT DOCUMENTS

D447,539	S	*	9/2001	Tse	.....	D23/226
D461,228	S	*	8/2002	Huang	.....	D23/223
D534,241	S	*	12/2006	Wang	.....	D23/226
D559,353	S	*	1/2008	Chih	.....	D23/226
D559,354	S	*	1/2008	Chih	.....	D23/226
D746,946	S	*	1/2016	Naslund	.....	D23/223

\* cited by examiner

*Primary Examiner* — Robin V Webster

(74) *Attorney, Agent, or Firm* — Egbert Law Offices, PLLC

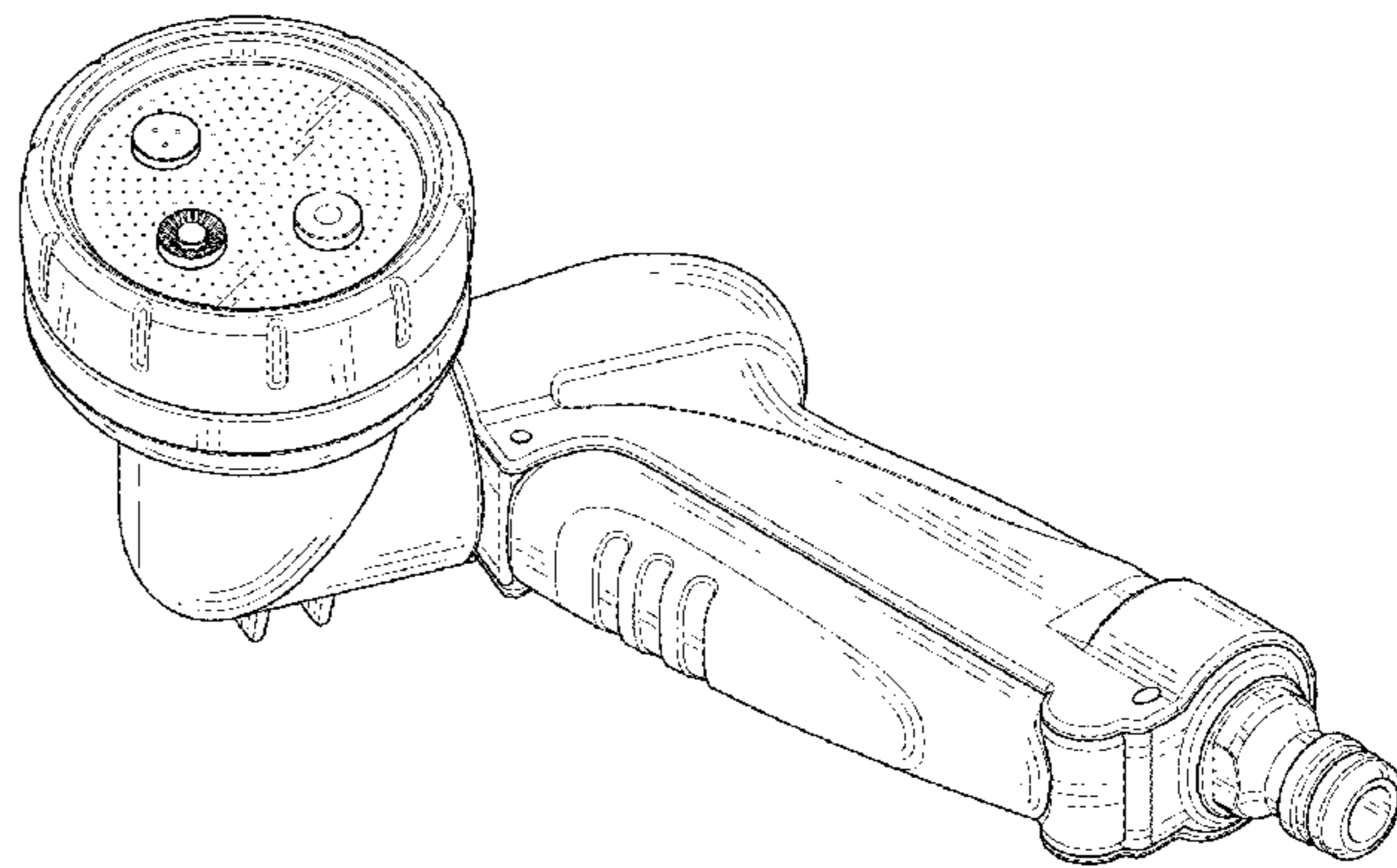
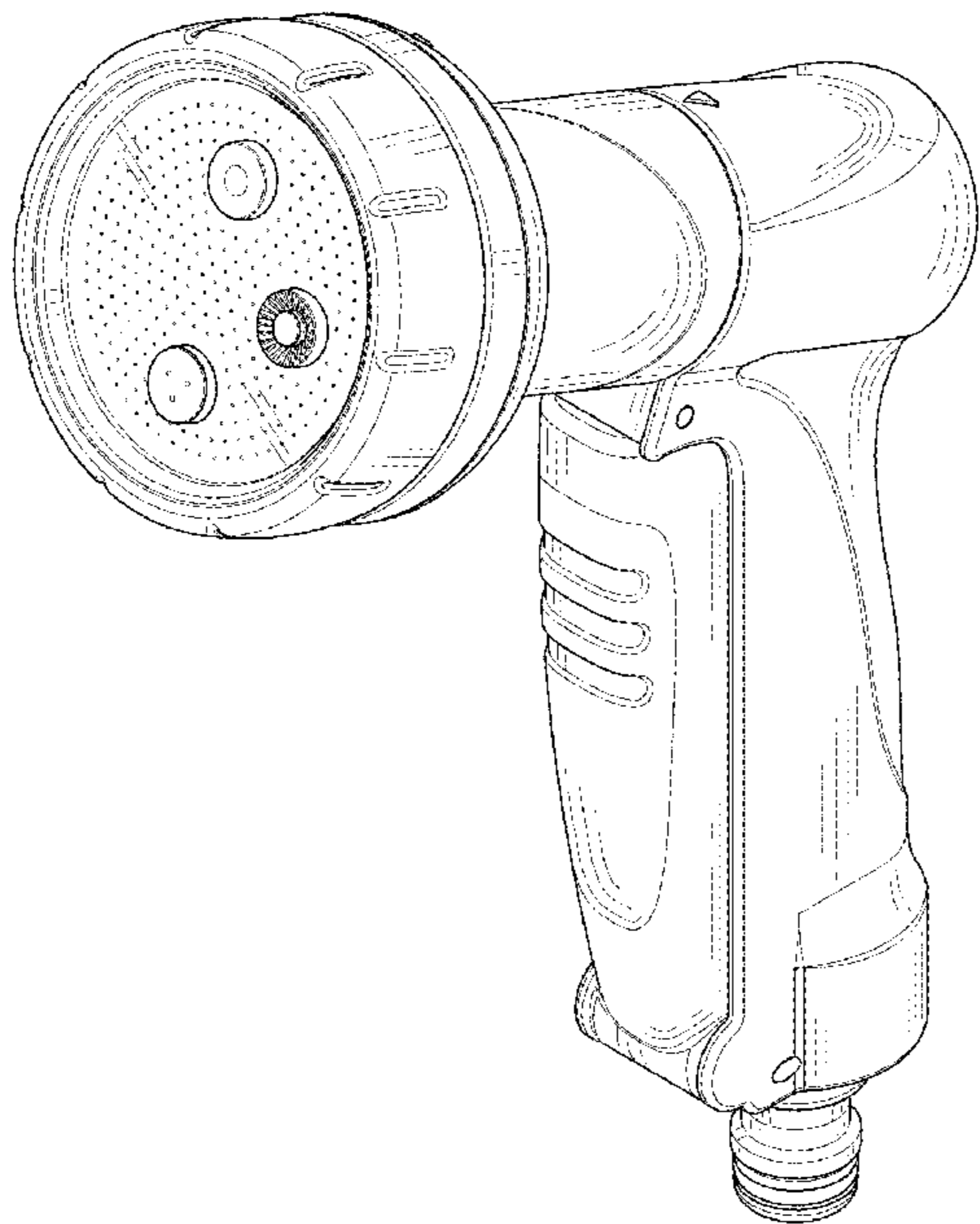
(57) **CLAIM**

The ornamental design for a water spray gun, as shown and described.

**DESCRIPTION**

FIG. 1 is a perspective view of a water spray gun showing my new design.  
FIG. 2 is a side elevation view thereof;  
FIG. 3 is an opposite side elevation view thereof;  
FIG. 4 is a front elevation view thereof;  
FIG. 5 is back elevation view thereof;  
FIG. 6 is a top plan view thereof; and,  
FIG. 7 is a perspective view thereof, wherein the head of the water spray gun is in a rotated position.

**1 Claim, 7 Drawing Sheets**



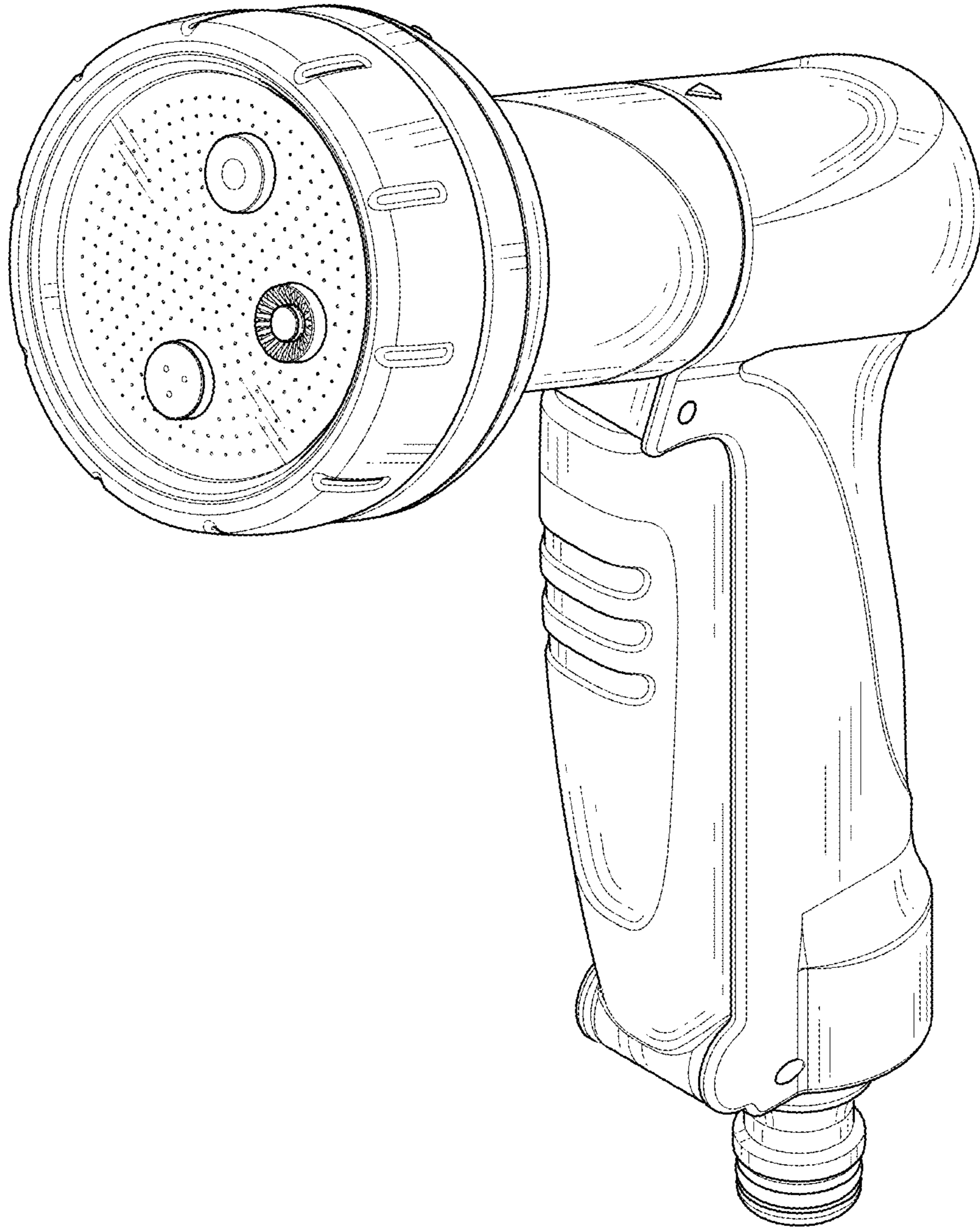


FIG. 1

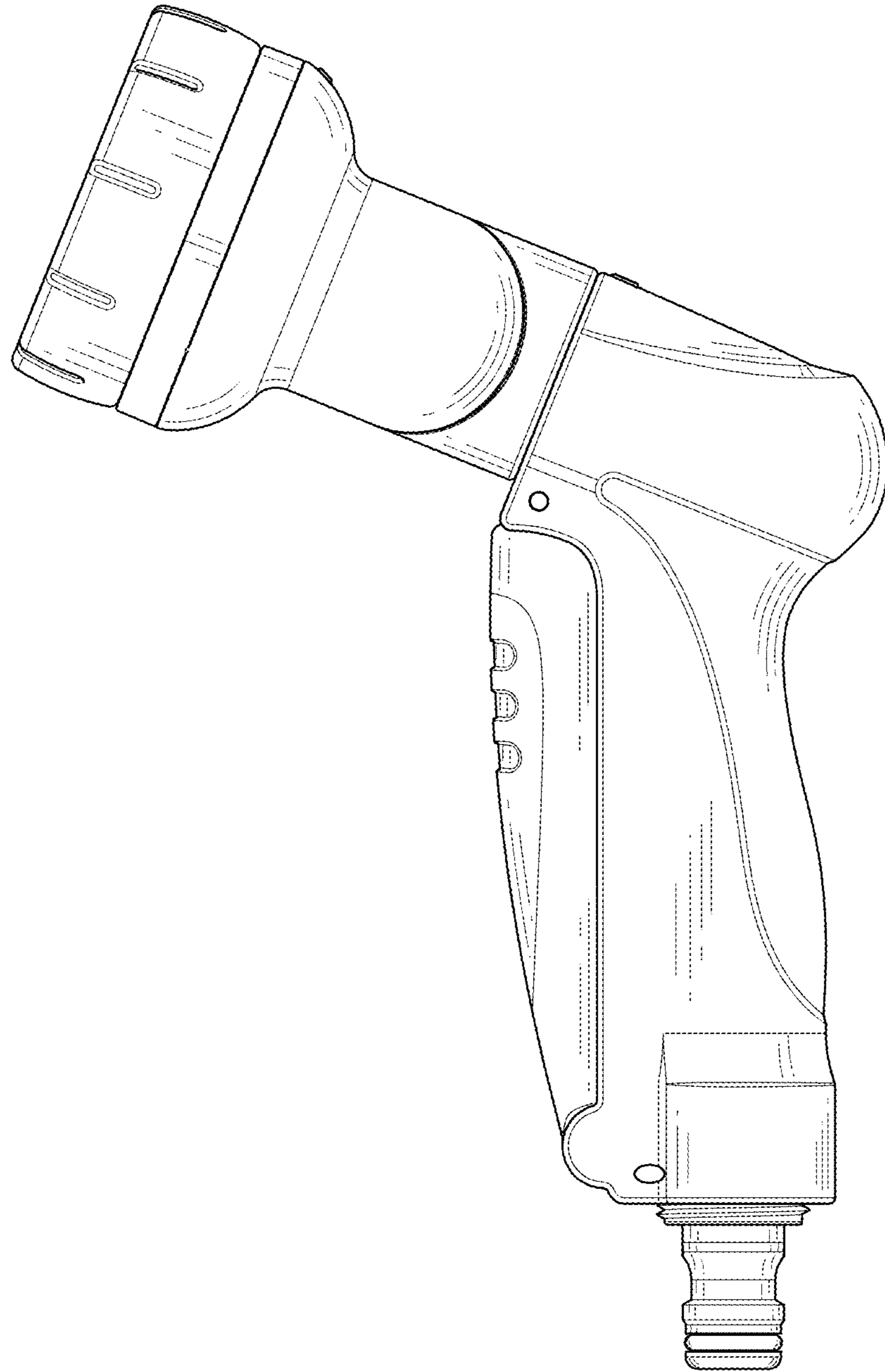


FIG.2

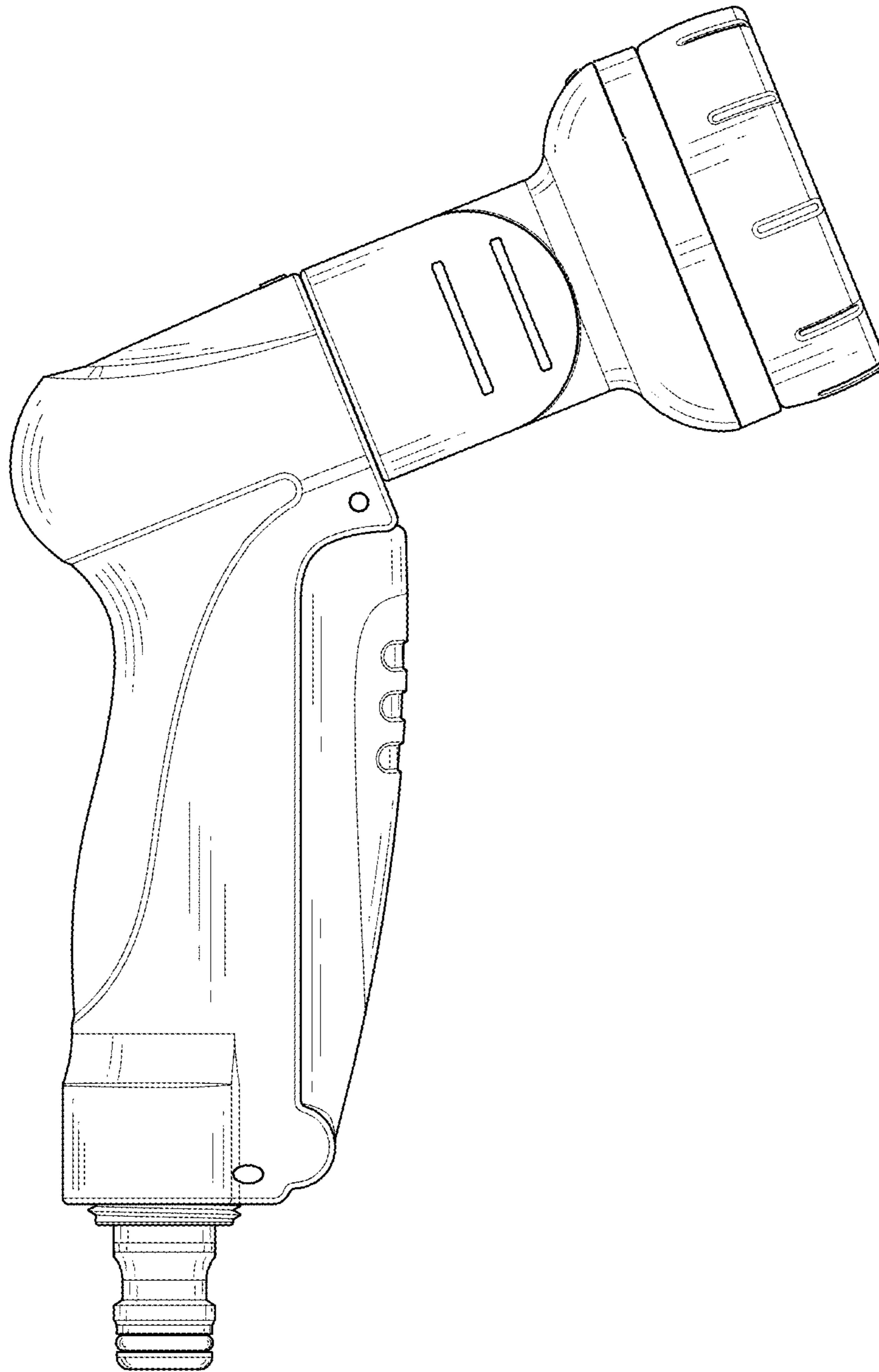


FIG.3



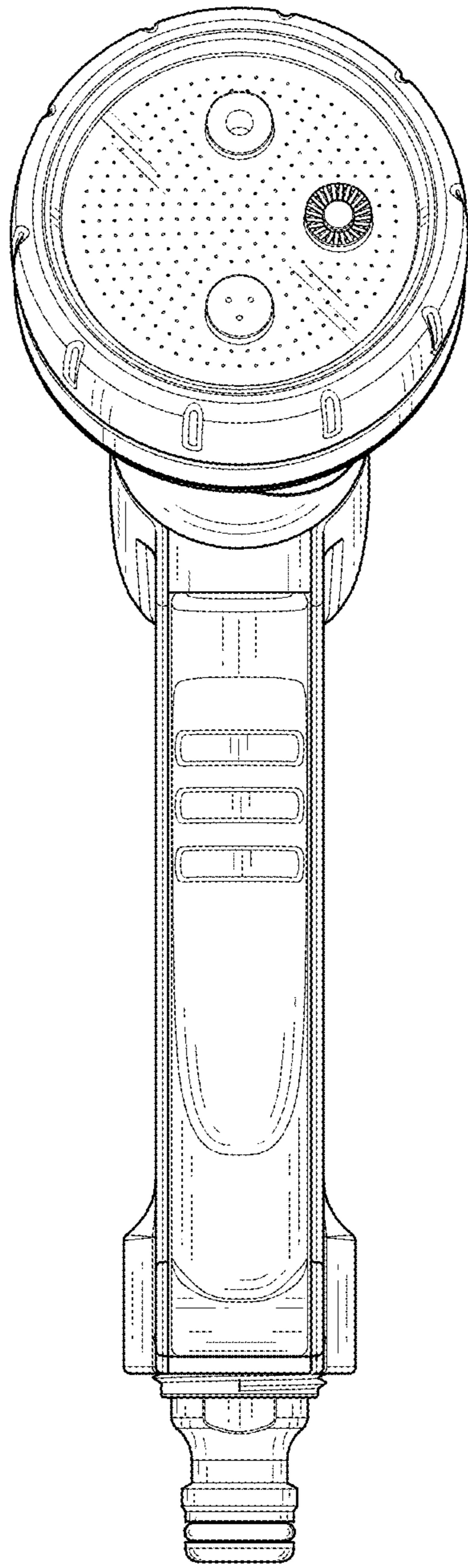


FIG. 4

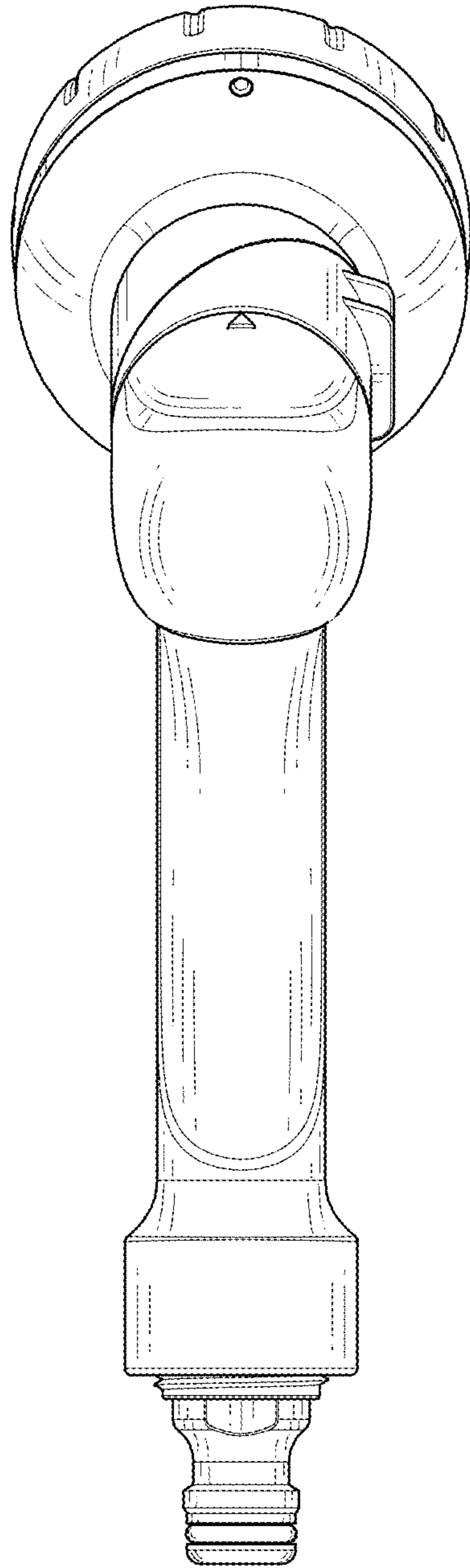


FIG. 5

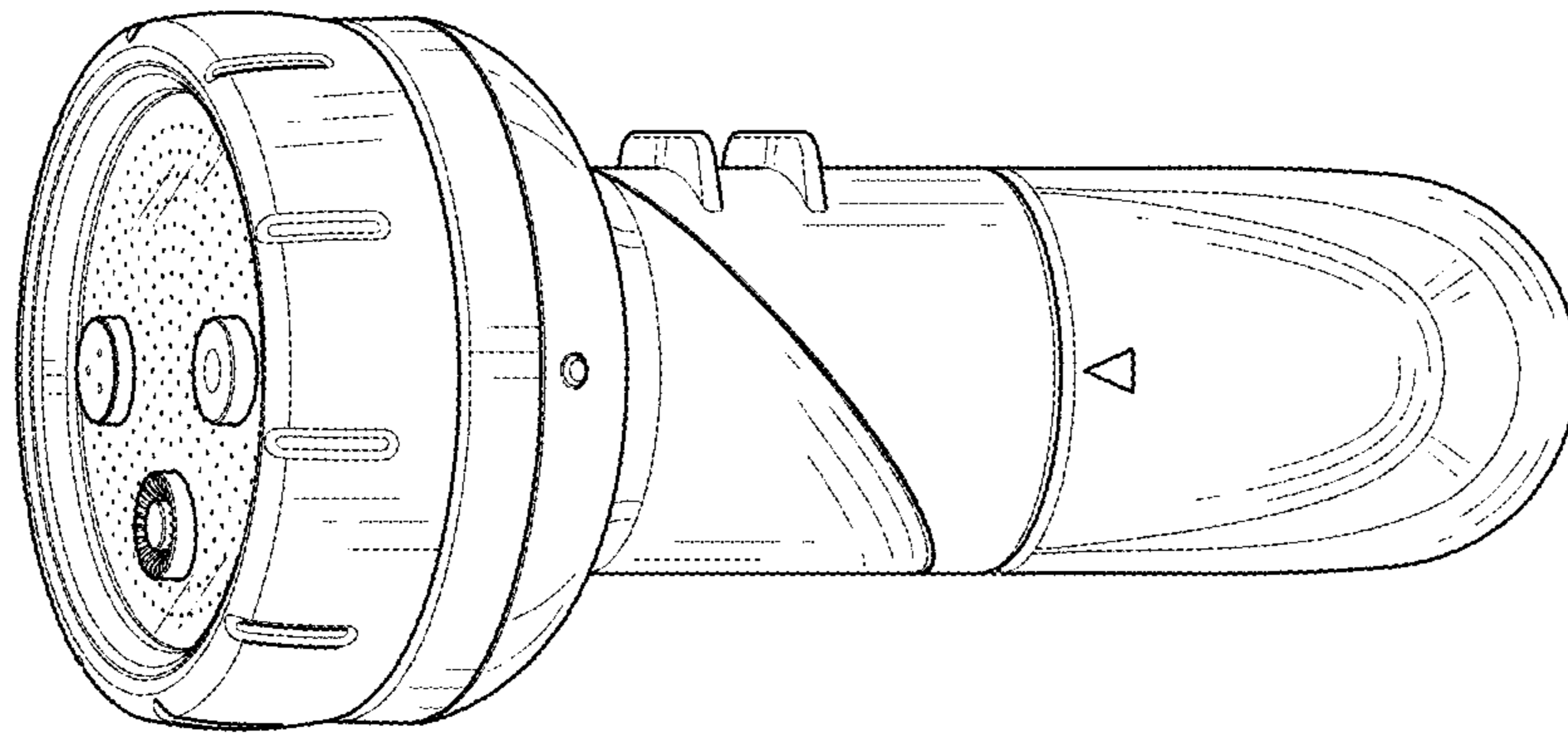


FIG.6

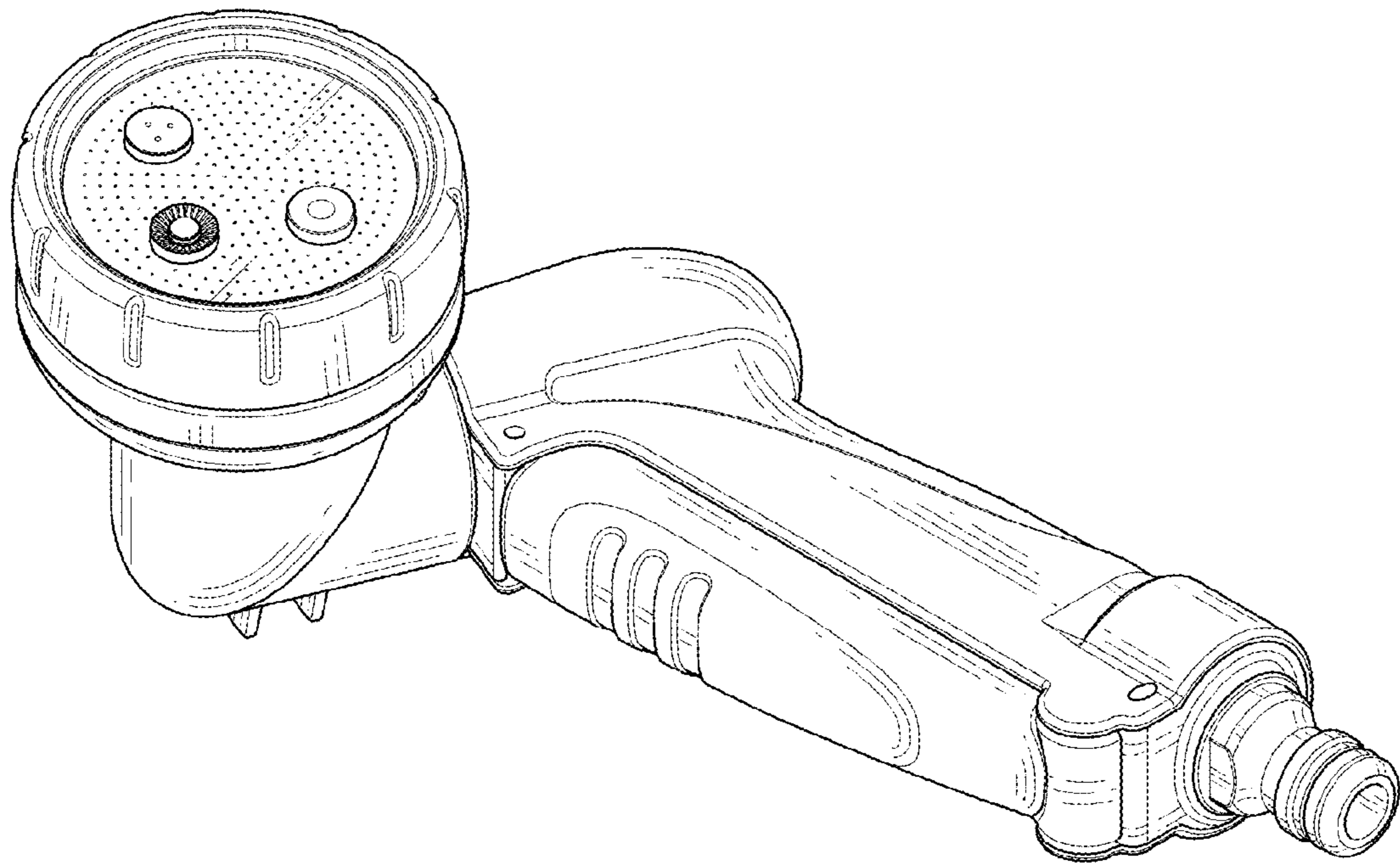


FIG.7