



US00D757897S

(12) **United States Design Patent**
Tullney et al.

(10) **Patent No.:** **US D757,897 S**

(45) **Date of Patent:** **** May 31, 2016**

(54) **SPRAY GUN FOR PAINT**

(71) Applicant: **J. Wagner GmbH**, Markdorf (DE)

(72) Inventors: **Heiko Tullney**, Hamburg (DE); **Simon Kindler**, Hamburg (DE); **Christoph Welte**, Ueberlingen (DE)

(73) Assignee: **J. Wagner GmbH**, Markdorf (DE)

(**) Term: **14 Years**

(21) Appl. No.: **29/503,355**

(22) Filed: **Sep. 25, 2014**

(30) **Foreign Application Priority Data**

Mar. 26, 2014 (DE) 40 2014 100 304

(51) **LOC (10) Cl.** **23-01**

(52) **U.S. Cl.**
USPC **D23/223**

(58) **Field of Classification Search**
USPC D23/213, 223, 226; 239/525-527,
239/DIG. 14
CPC B25B 9/01; B05B 7/1209
See application file for complete search history.

(56) **References Cited**

U.S. PATENT DOCUMENTS

D302,459 S * 7/1989 Kao D23/223

D442,671 S * 5/2001 Chih D23/223
D529,574 S * 10/2006 Chih D23/223
D538,392 S * 3/2007 Fryan D23/223
D701,588 S * 3/2014 Hedger D23/226
D709,991 S * 7/2014 Loudon D23/223

* cited by examiner

Primary Examiner — Robin V Webster

(74) *Attorney, Agent, or Firm* — Burr & Brown, PLLC

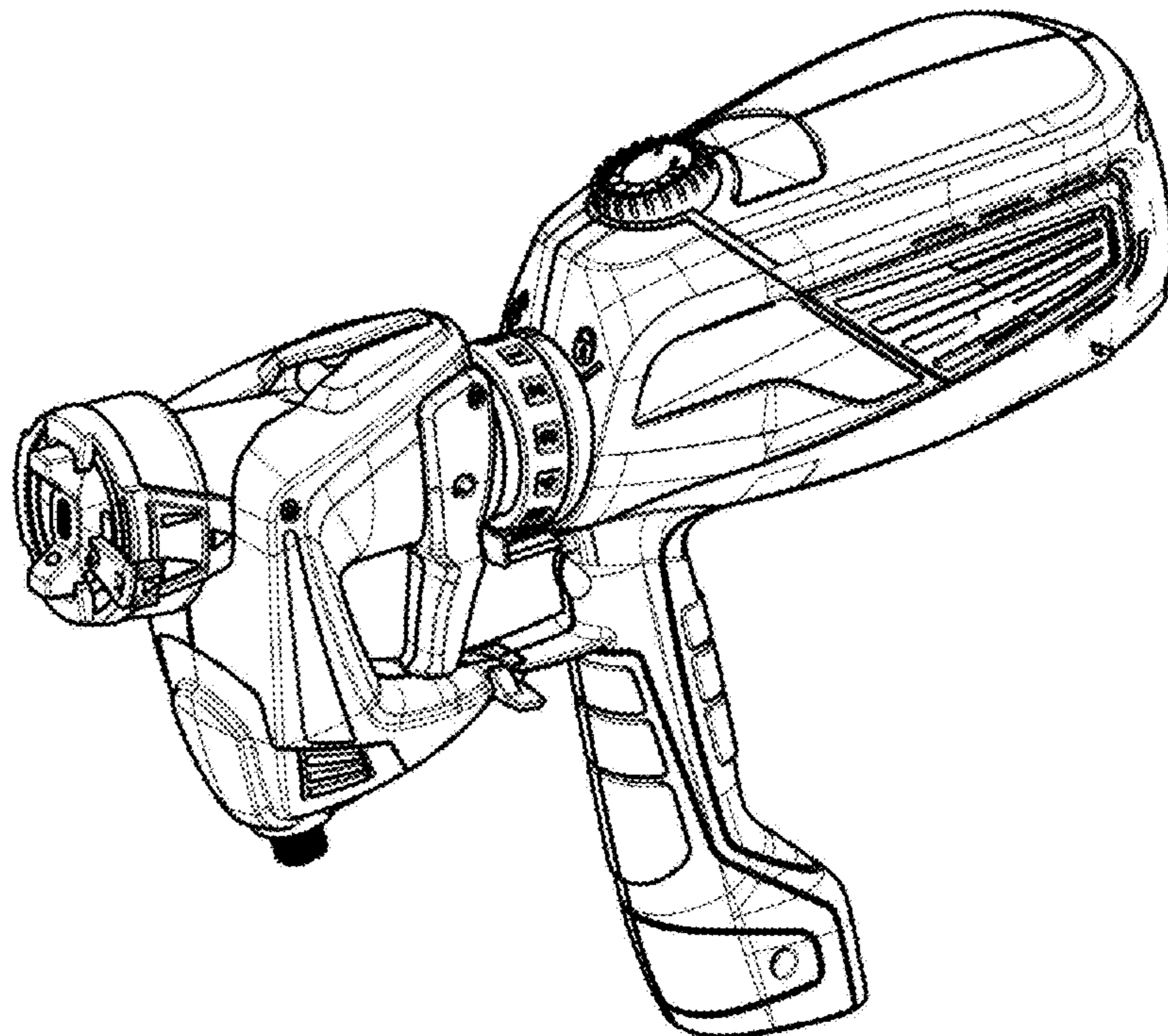
(57) **CLAIM**

The ornamental design for a spray gun for paint, as shown and described.

DESCRIPTION

FIG. 1 is a front perspective view of a spray gun for paint illustrating our new design;
FIG. 2 is a left side view thereof;
FIG. 3 is a right side view thereof;
FIG. 4 is a front view thereof;
FIG. 5 is a rear view thereof;
FIG. 6 is a top view thereof; and,
FIG. 7 is a bottom view thereof.

1 Claim, 7 Drawing Sheets



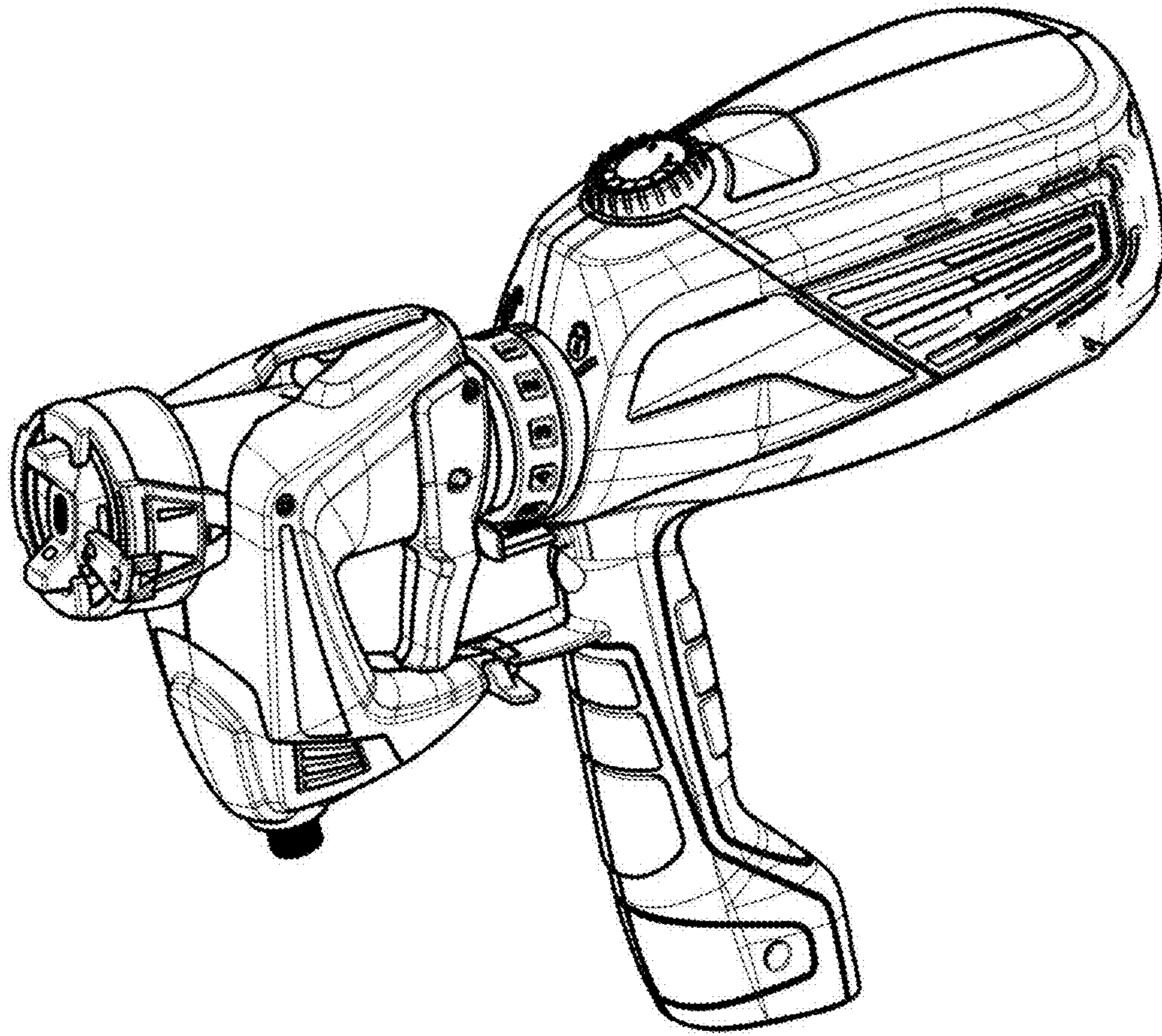


FIG. 1

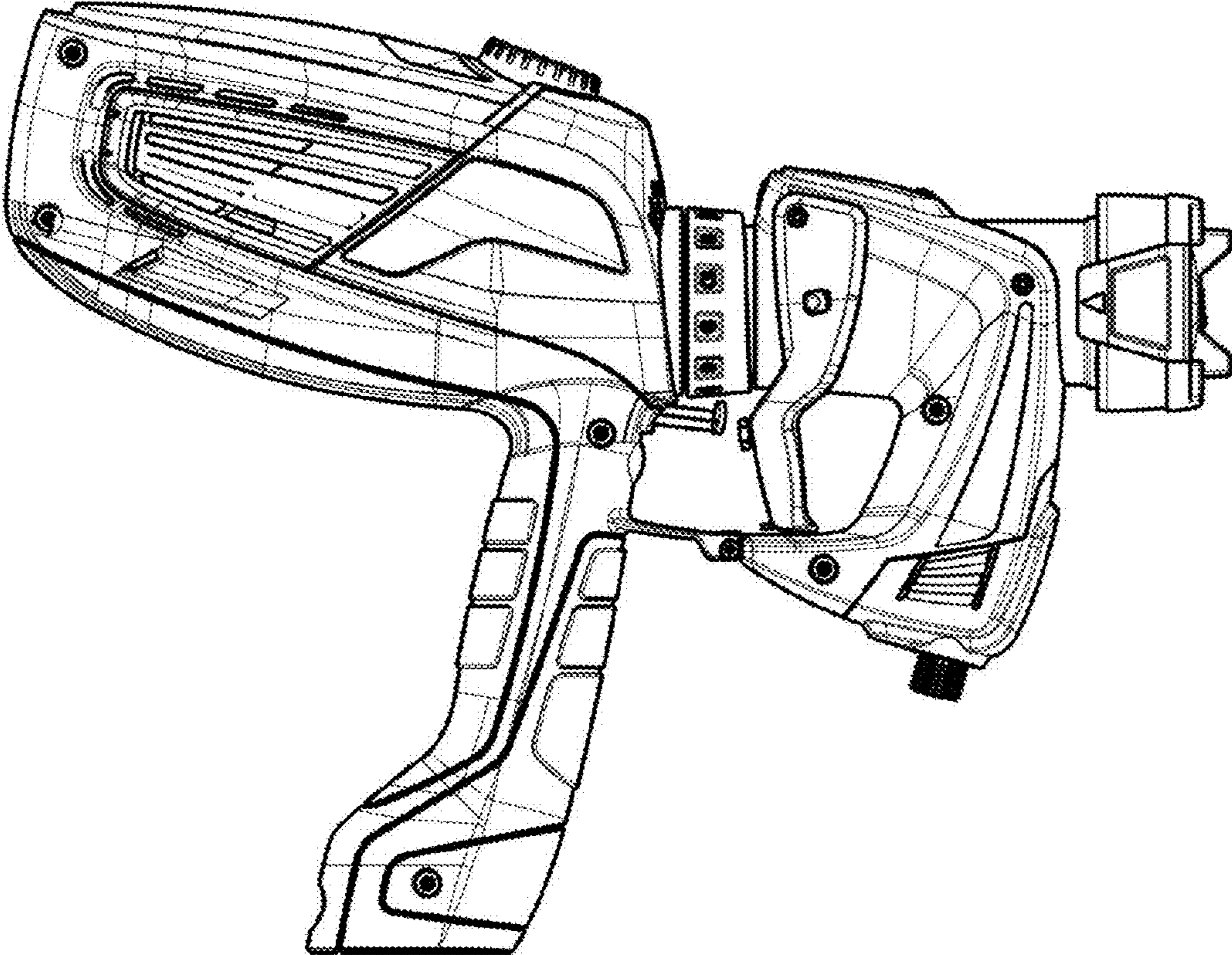


FIG. 2

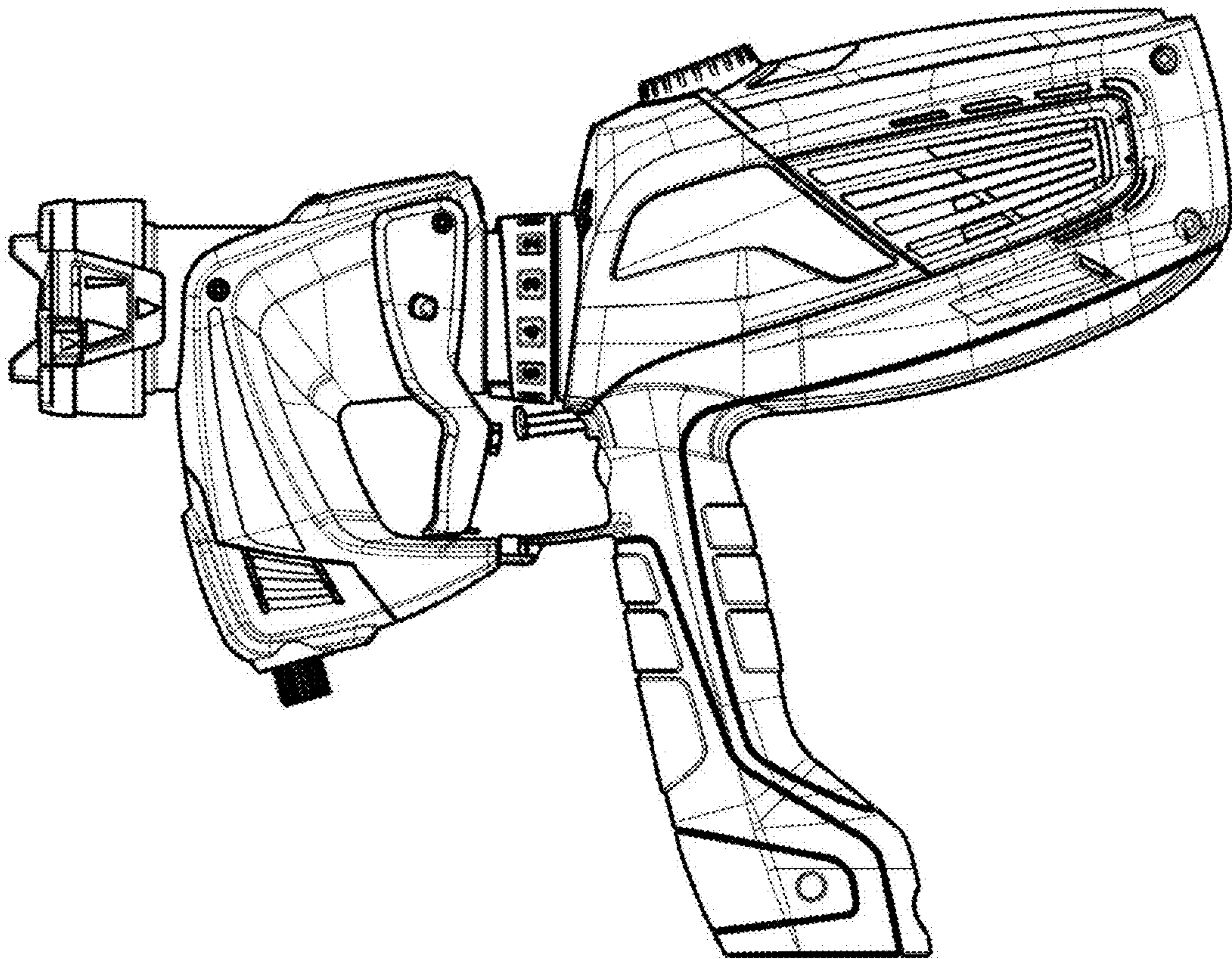


FIG. 3

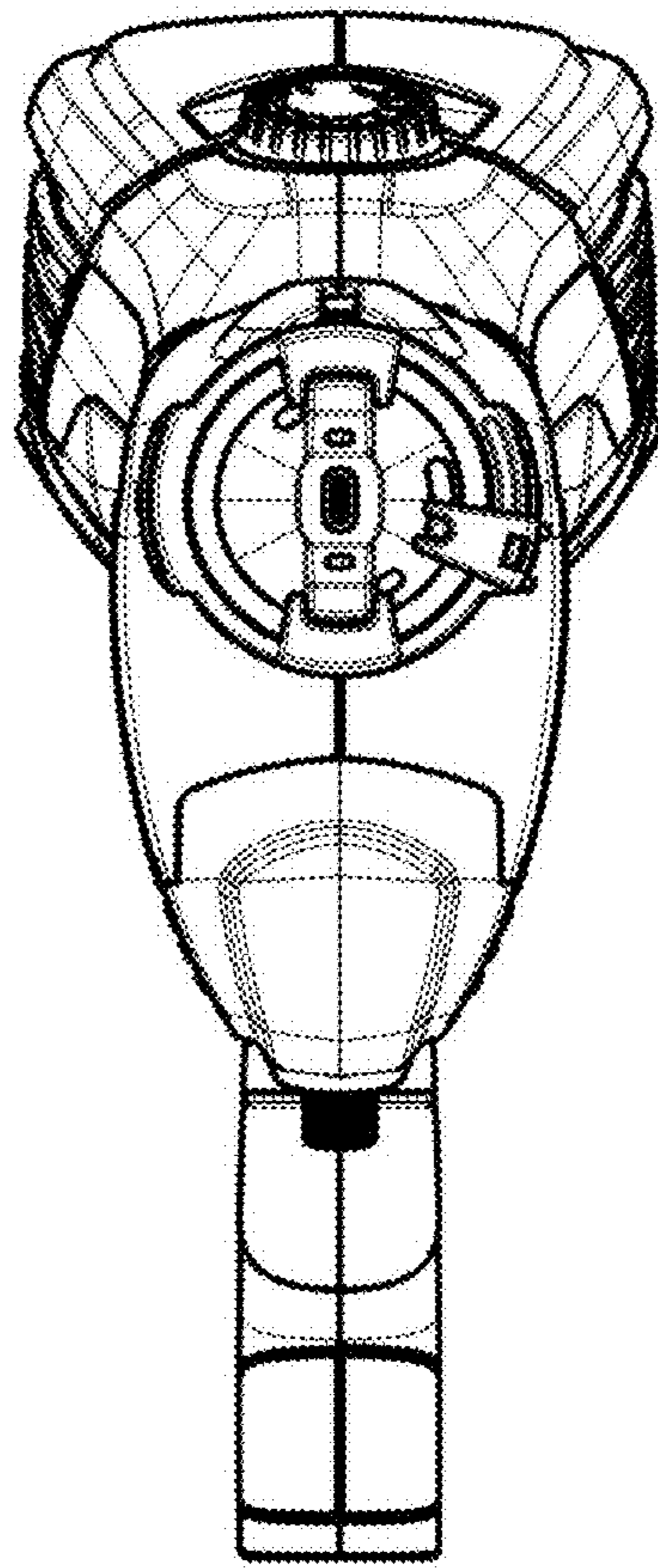


FIG. 4

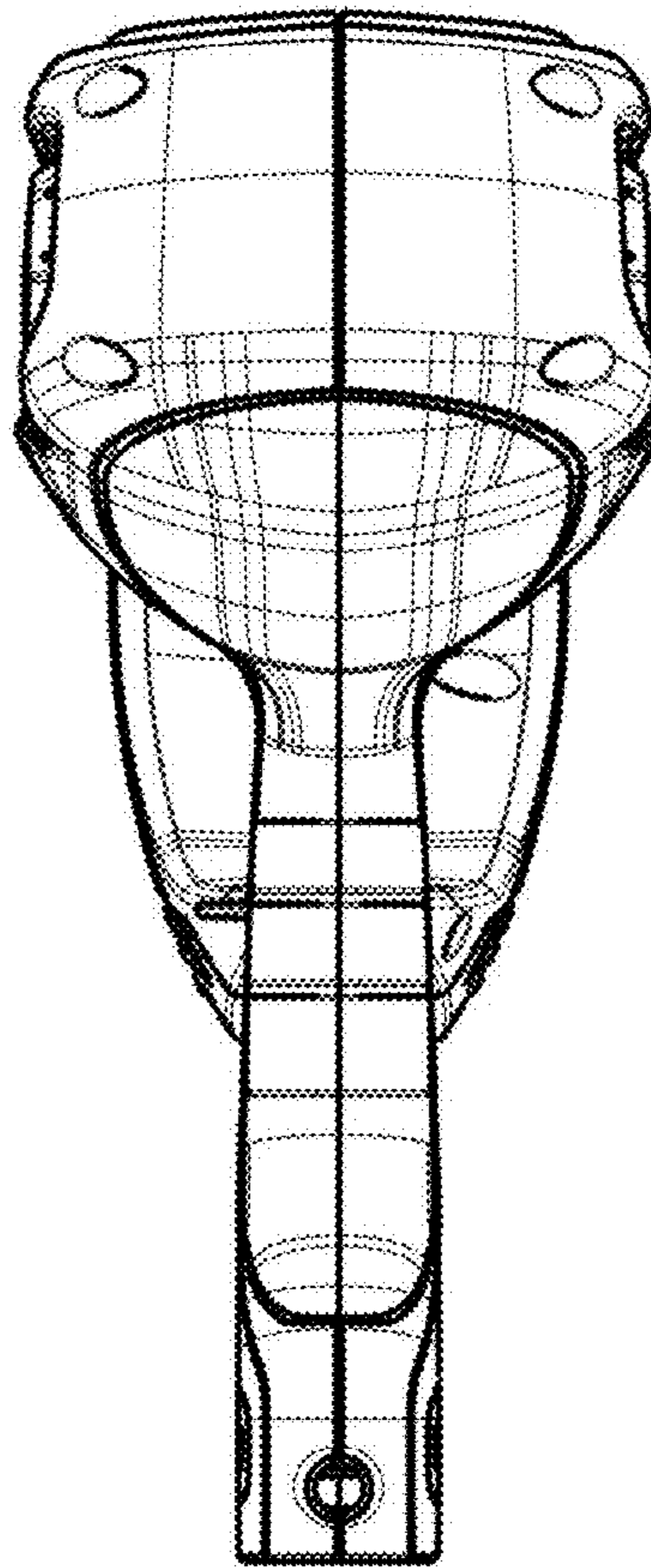


FIG. 5

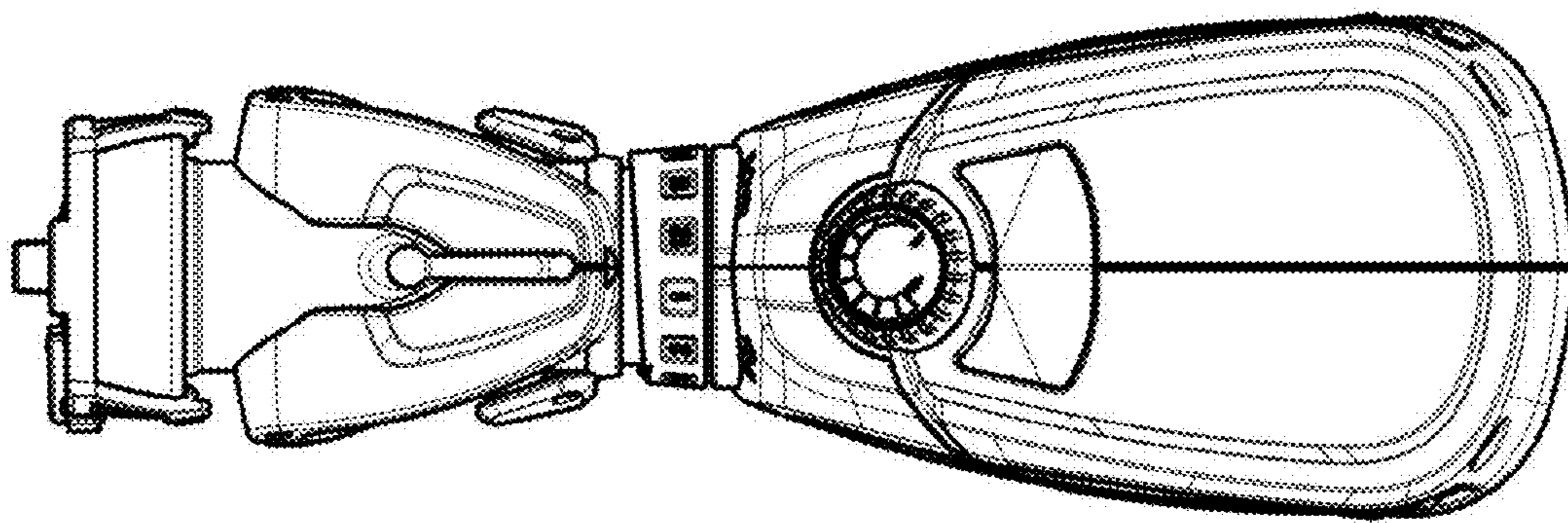


FIG. 6

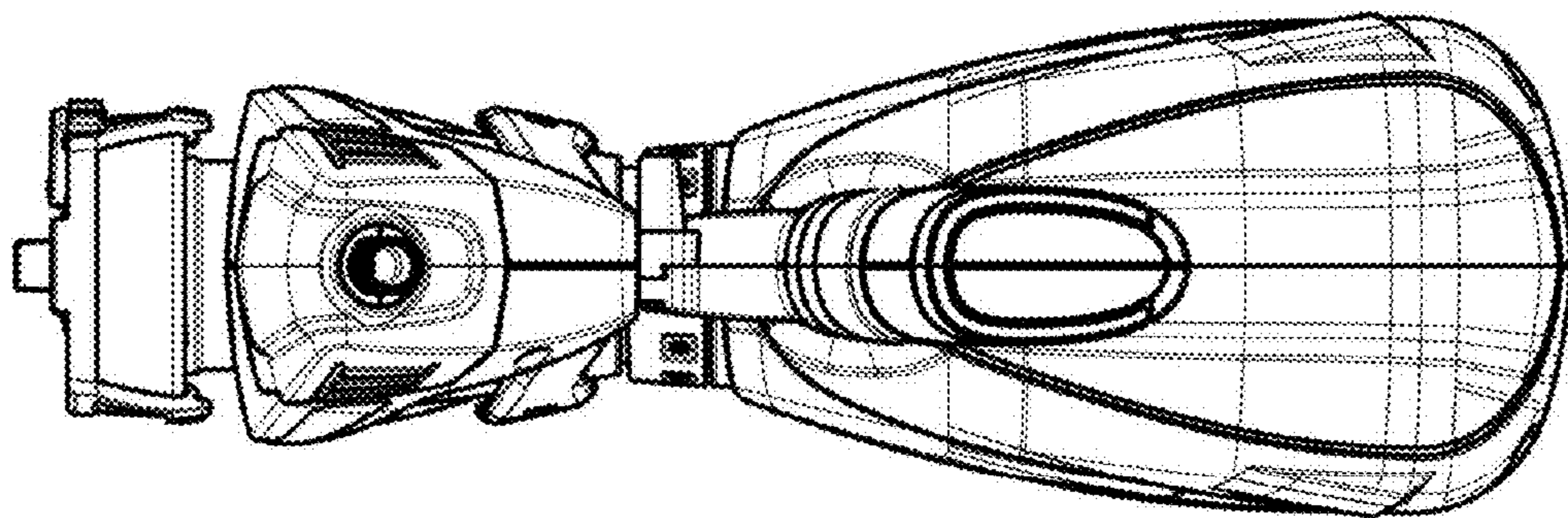


FIG. 7