



US00D757896S

(12) **United States Design Patent**
Aquilina et al.

(10) **Patent No.:** **US D757,896 S**
(45) **Date of Patent:** **** May 31, 2016**

- (54) **POP-UP SPRINKLER HEAD**
- (71) Applicants: **Peter Carl Aquilina**, Seymour, CT (US); **Eric Matthew Djordjevic**, Boxford, MA (US)
- (72) Inventors: **Peter Carl Aquilina**, Seymour, CT (US); **Eric Matthew Djordjevic**, Boxford, MA (US)
- (**) Term: **14 Years**
- (21) Appl. No.: **29/515,819**
- (22) Filed: **Jan. 27, 2015**
- (51) **LOC (10) Cl.** **23-01**
- (52) **U.S. Cl.**
USPC **D23/214**
- (58) **Field of Classification Search**
USPC D23/214, 217, 218; 239/200–205
CPC B05B 15/10
See application file for complete search history.

- D562,939 S * 2/2008 Lo D23/214
- 7,717,360 B1 * 5/2010 Kander B05B 15/001
239/201
- D724,696 S * 3/2015 Baroav D23/214
- D729,901 S * 5/2015 Baziuk D23/213

* cited by examiner

Primary Examiner — Robin V Webster
(74) *Attorney, Agent, or Firm* — Dunlap Bennett & Ludwig PLLC

(56) **References Cited**

U.S. PATENT DOCUMENTS

- D226,711 S * 4/1973 Kunkle D23/218
- D243,179 S * 1/1977 Jooste D23/218
- D276,453 S * 11/1984 DeVroom D23/214
- D299,156 S * 12/1988 Heren D23/214
- D319,489 S * 8/1991 Han D23/214
- D412,557 S * 8/1999 Palestrant D23/214
- D440,279 S * 4/2001 Palestrant D23/214
- D466,585 S * 12/2002 Alkalay D23/214
- 6,899,285 B2 * 5/2005 Goetl E04H 4/169
239/200

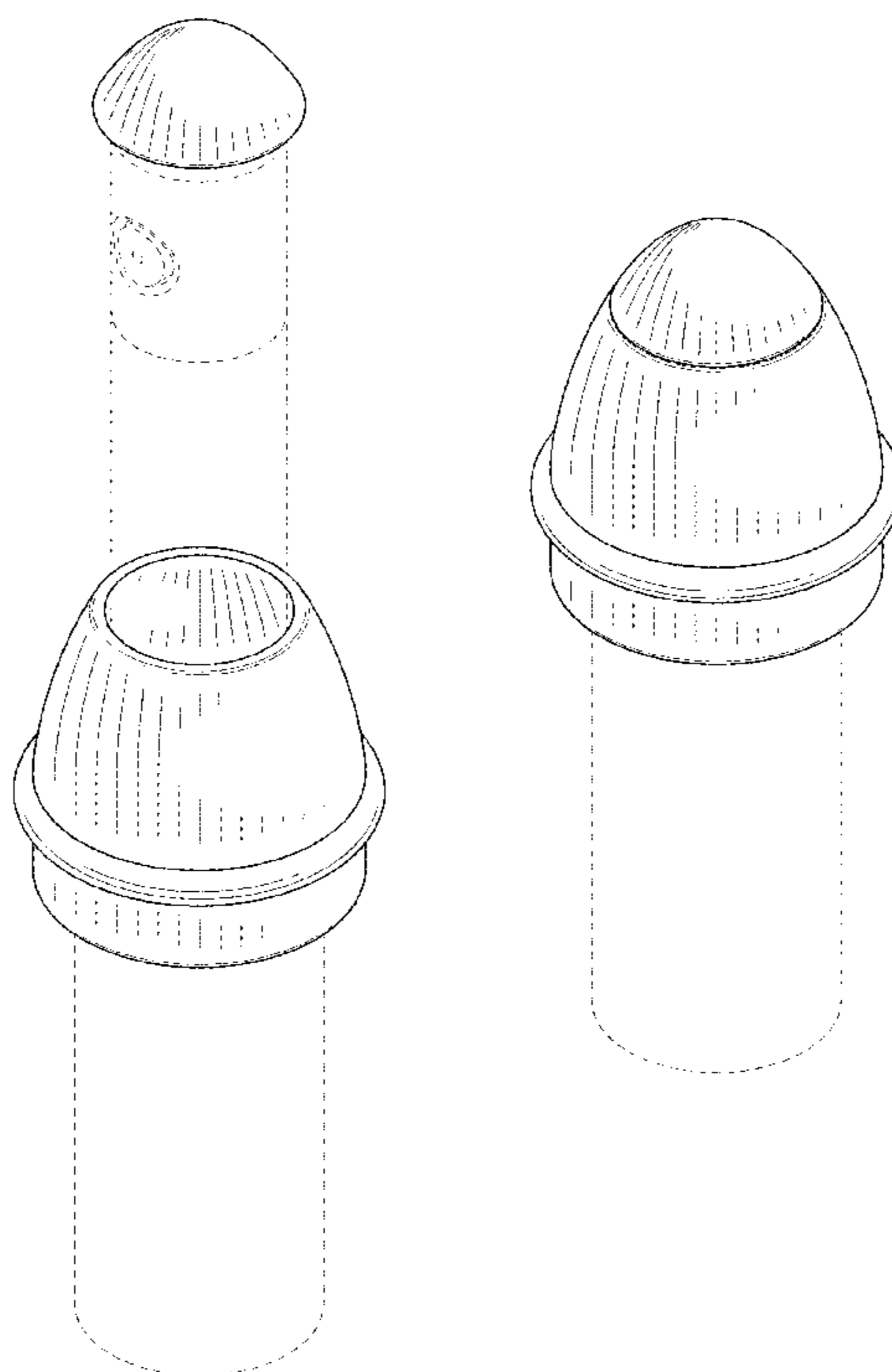
(57) **CLAIM**

The ornamental design for a pop-up sprinkler head, as shown and described.

DESCRIPTION

FIG. 1 is a top front perspective view of a pop-up sprinkler head, shown in use;
 FIG. 2 is a top front perspective view of the pop-up sprinkler head;
 FIG. 3 is a front elevation view of the pop-up sprinkler head; the rear elevation view, the right side elevation view, and the left side elevation view being mirror images thereof;
 FIG. 4 is a top elevation view of the pop-up sprinkler head; and,
 FIG. 5 is a bottom elevation view of the pop-up sprinkler head.
 The broken lines shown in the drawings illustrate portions of the pop-up sprinkler head that form no part of the claimed design.

1 Claim, 2 Drawing Sheets



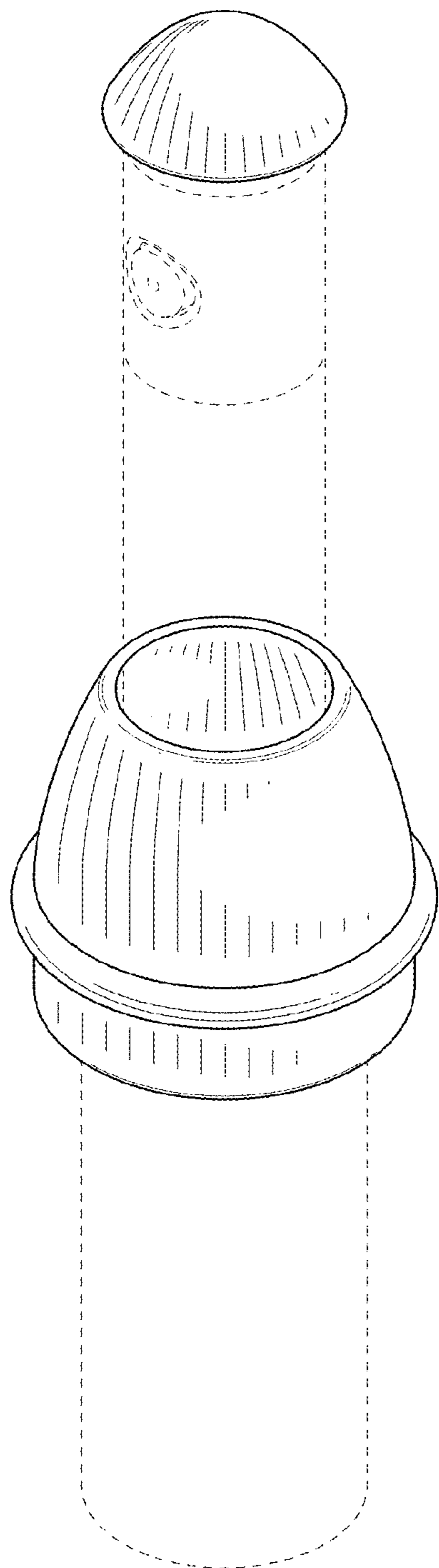


FIG. 1

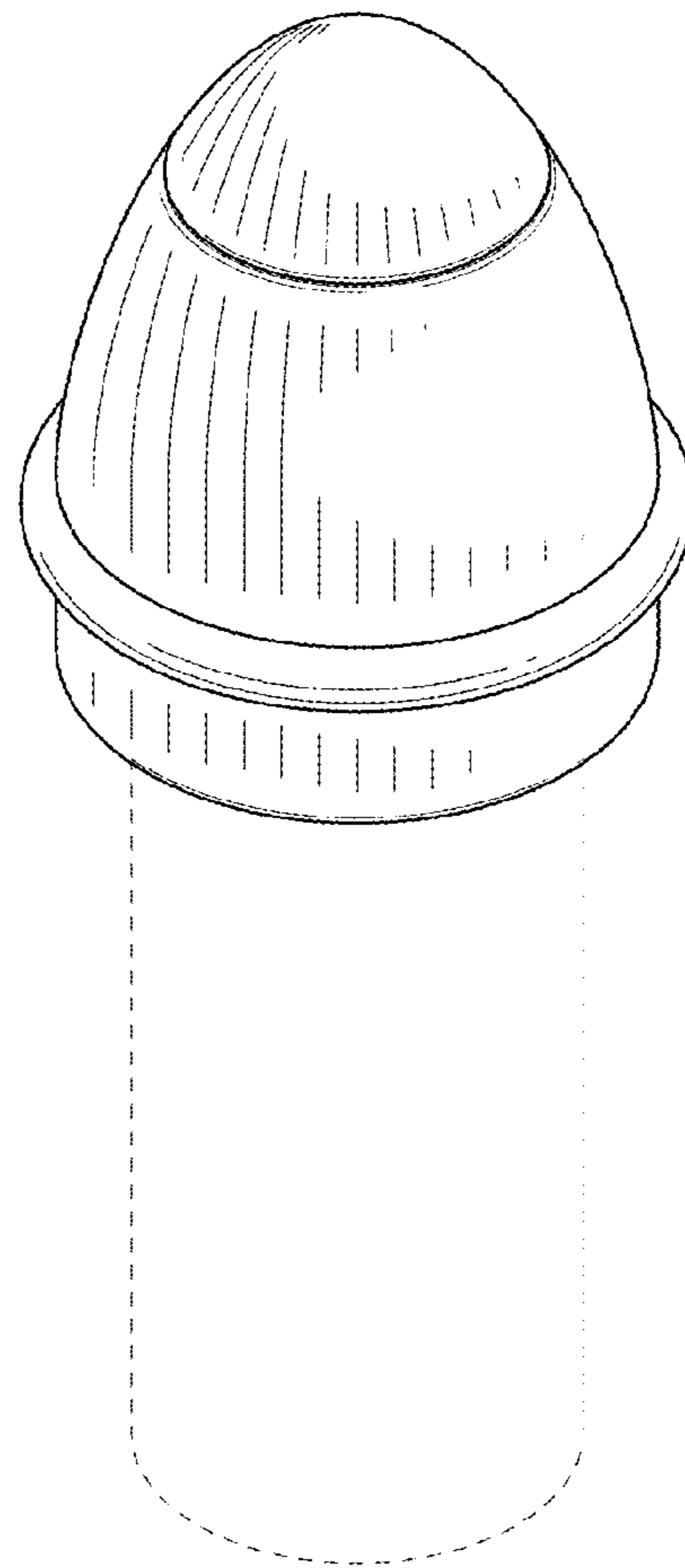


FIG. 2

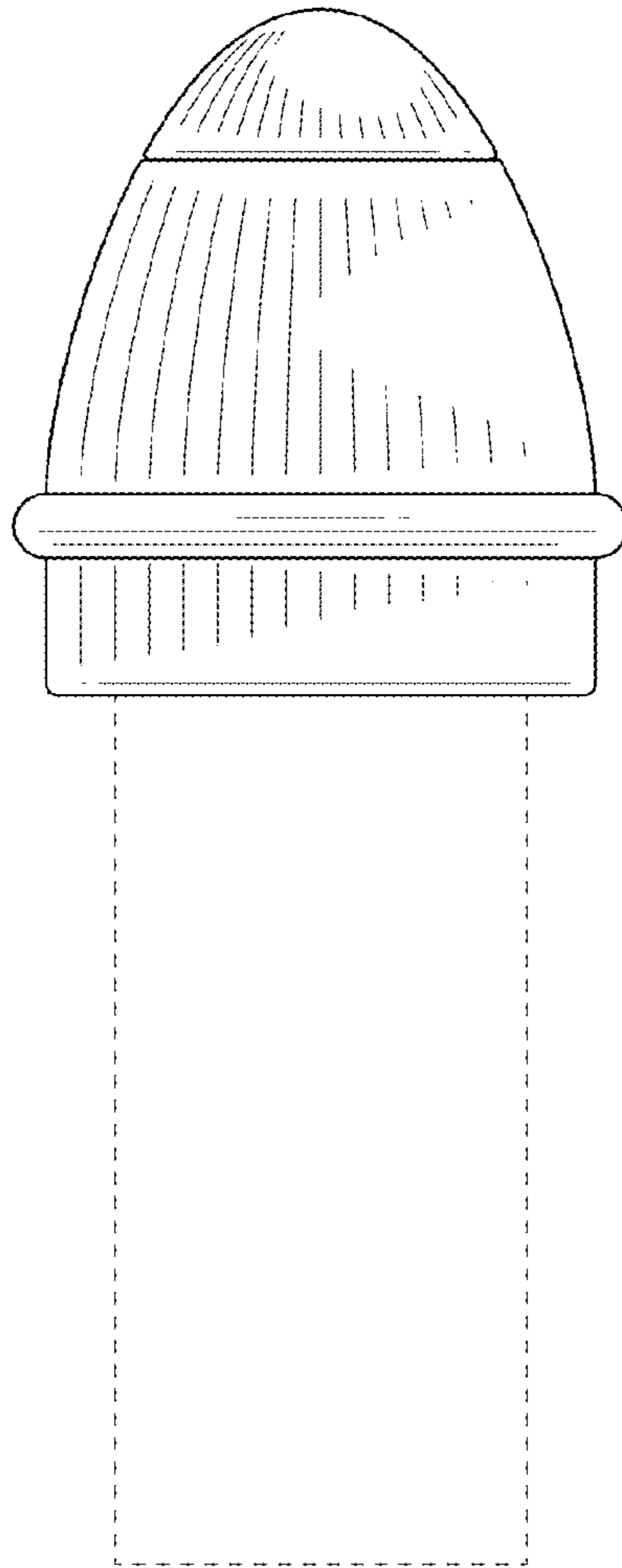


FIG. 3

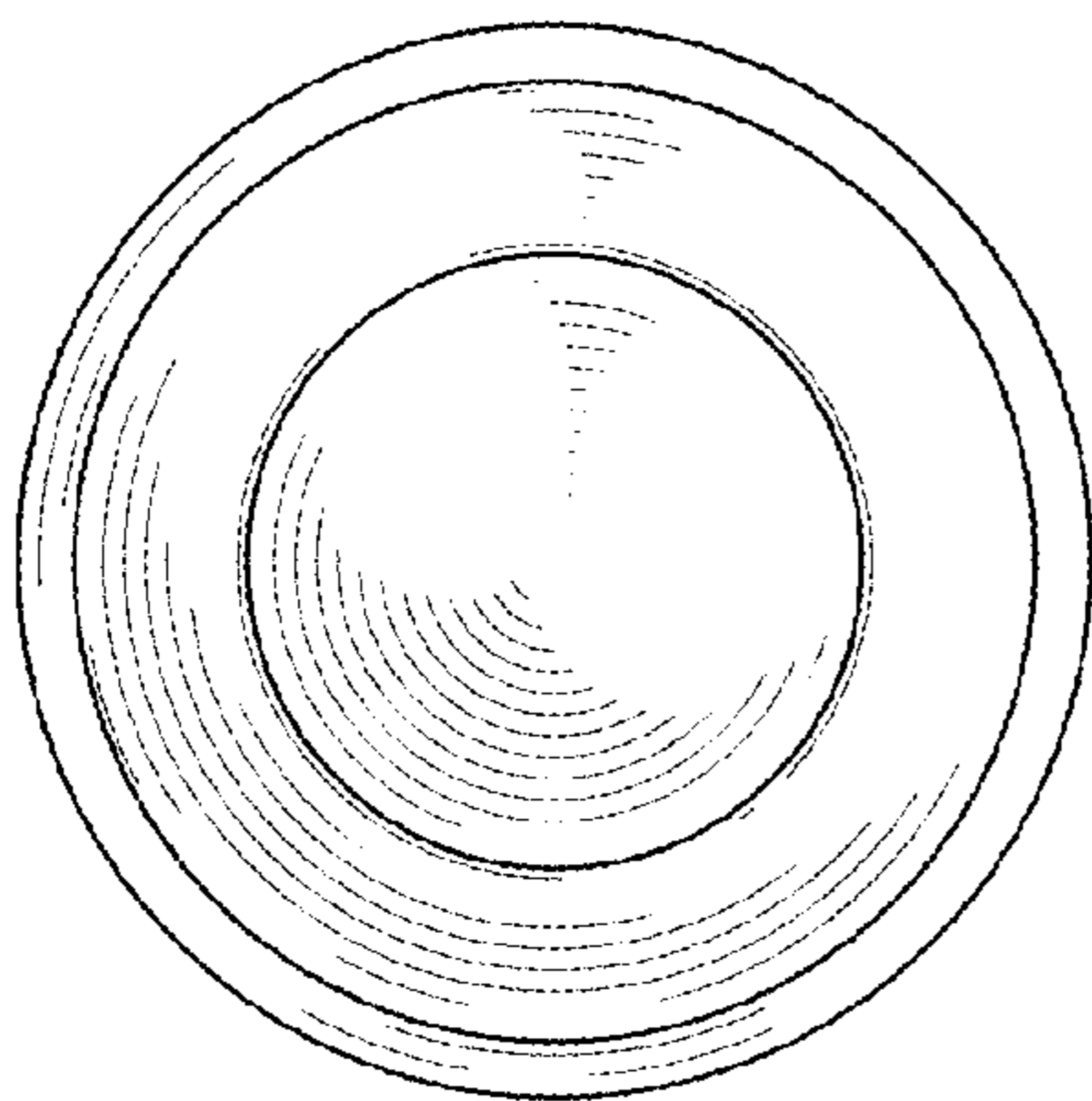


FIG. 4

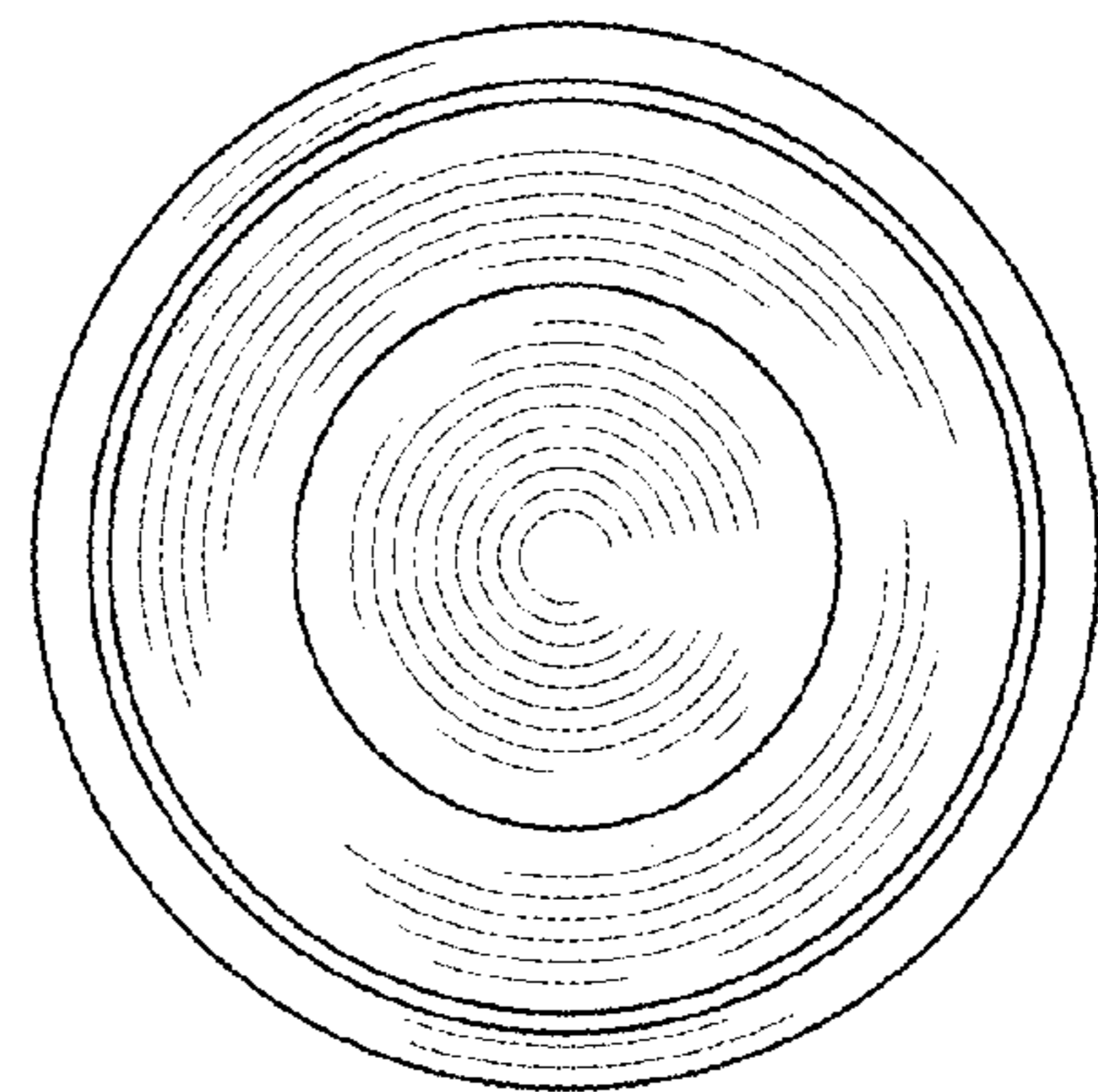


FIG. 5