

US00D757894S

(12) **United States Design Patent**  
**Schoenherr et al.**

(10) **Patent No.:** **US D757,894 S**  
(45) **Date of Patent:** **\*\* May 31, 2016**

(54) **OVERHEAD SHOWER**

FOREIGN PATENT DOCUMENTS

(71) Applicant: **Hansgrohe SE**, Schiltach (DE)  
(72) Inventors: **Tom Schoenherr**, Stuttgart (DE);  
**Matthias Oesterle**, Winterbach (DE)  
(73) Assignee: **Hansgrohe SE**, Schiltach (DE)  
(\*\*) Term: **15 Years**

EM	001844911-0010	4/2011
EM	001844911-0022	4/2011
EM	002594671-0001	12/2014
EM	002594671-0002	12/2014
EM	002594671-0003	12/2014
EM	002594671-0004	12/2014
EM	002594671-0005	12/2014
EM	002594671-0006	12/2014
WO	DM/085 450	1/2015

\* cited by examiner

(21) Appl. No.: **29/529,297**

(22) Filed: **Jun. 5, 2015**

*Primary Examiner* — Robin V Webster

(74) *Attorney, Agent, or Firm* — Lora J. Graentzdoerffer

(30) **Foreign Application Priority Data**

Dec. 10, 2014 (EM) ..... 002594671-0001

(51) **LOC (10) Cl.** ..... **23-01**

(52) **U.S. Cl.**  
USPC ..... **D23/213**

(58) **Field of Classification Search**  
USPC ..... D23/213, 223, 226, 229, 230; 239/282,  
239/283  
CPC ..... B05B 1/00; B05B 1/18; E03C 1/06  
See application file for complete search history.

(56) **References Cited**

U.S. PATENT DOCUMENTS

D694,358 S	11/2013	Schoenherr et al.	
8,667,623 B2 *	3/2014	Paget	..... B05B 15/067 239/289
8,851,398 B2 *	10/2014	Li	..... B05B 1/1609 239/222.11

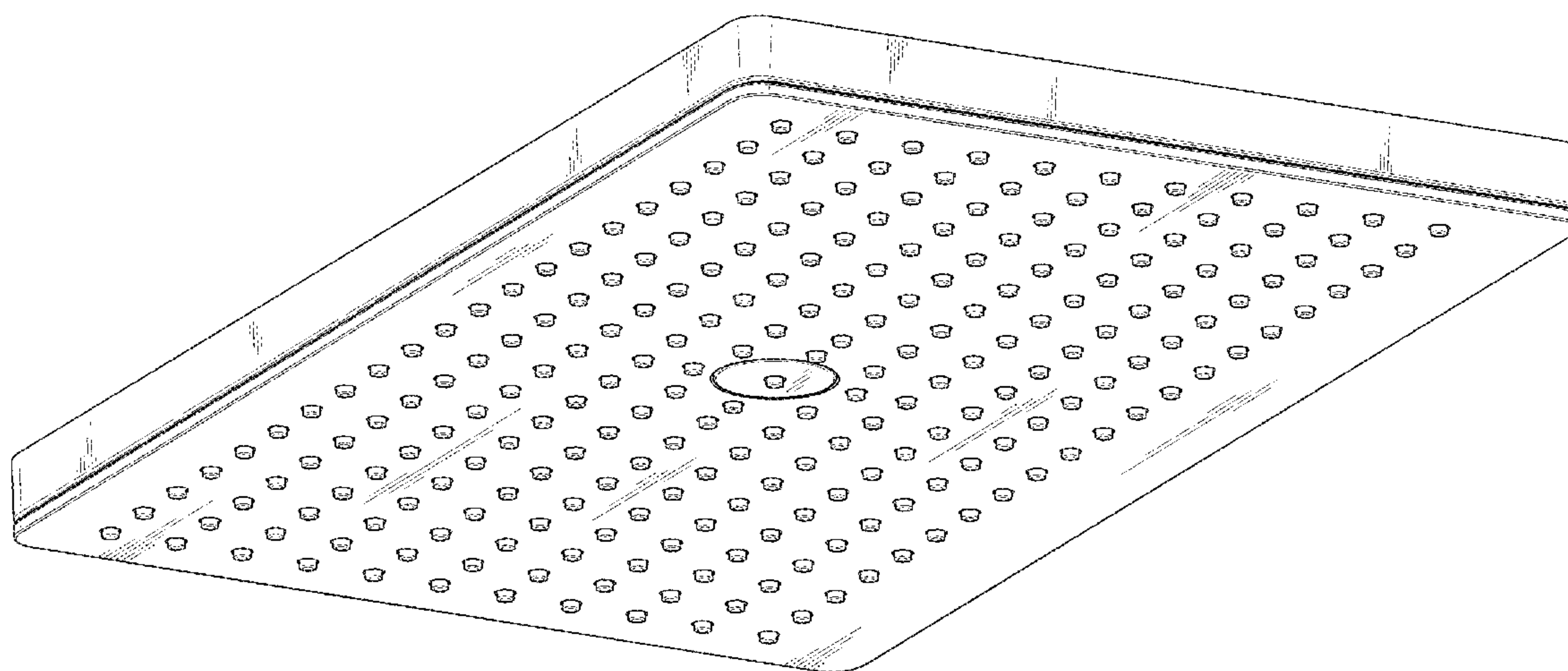
(57) **CLAIM**

The ornamental design for an overhead shower, as shown and described.

**DESCRIPTION**

FIG. 1 is a perspective view of an overhead shower showing our design;  
FIG. 2 is a front elevation view;  
FIG. 3 is a rear elevation view;  
FIG. 4 is a left side elevation view;  
FIG. 5 is a right side elevation view;  
FIG. 6 is a top plan view; and,  
FIG. 7 is a bottom plan view.  
The broken-line disclosure in the views represents portions of the overhead shower in which the claimed design is embodied, but which form no part of the claimed design.

**1 Claim, 7 Drawing Sheets**



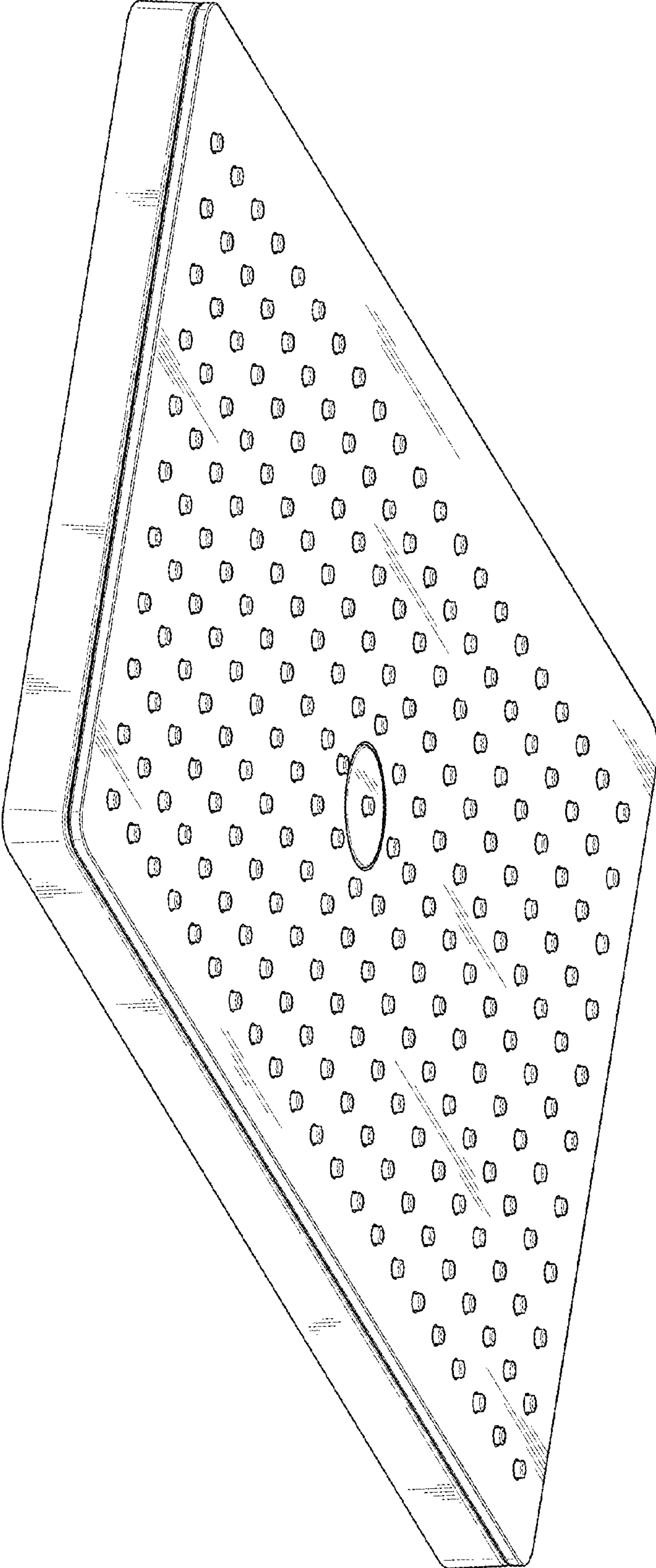


FIG. 1

FIG. 2

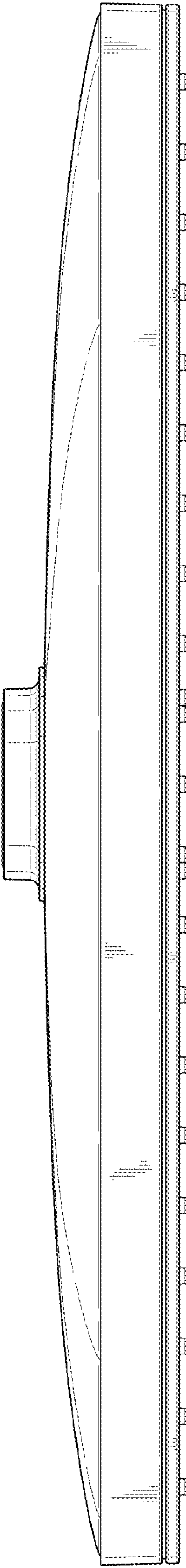
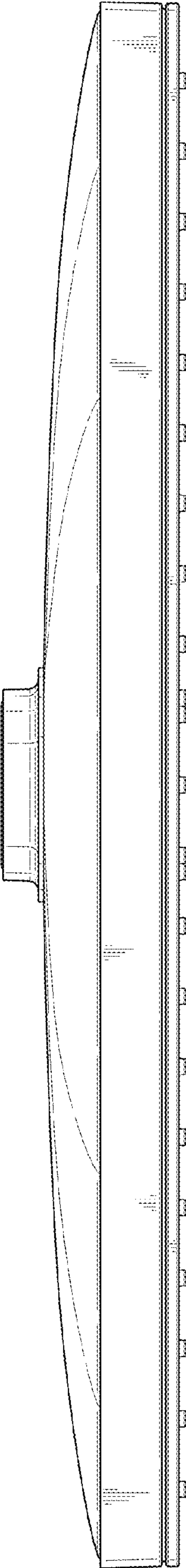


FIG. 3



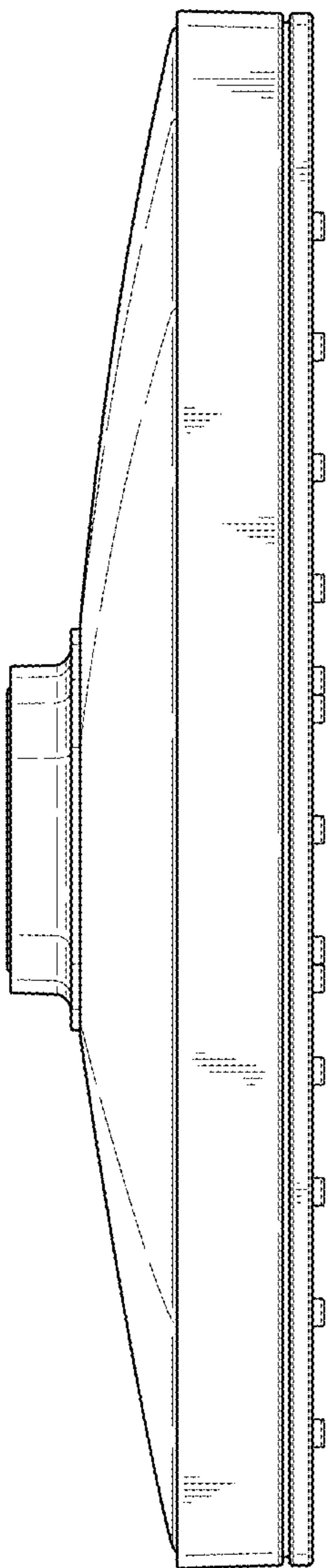


FIG. 4



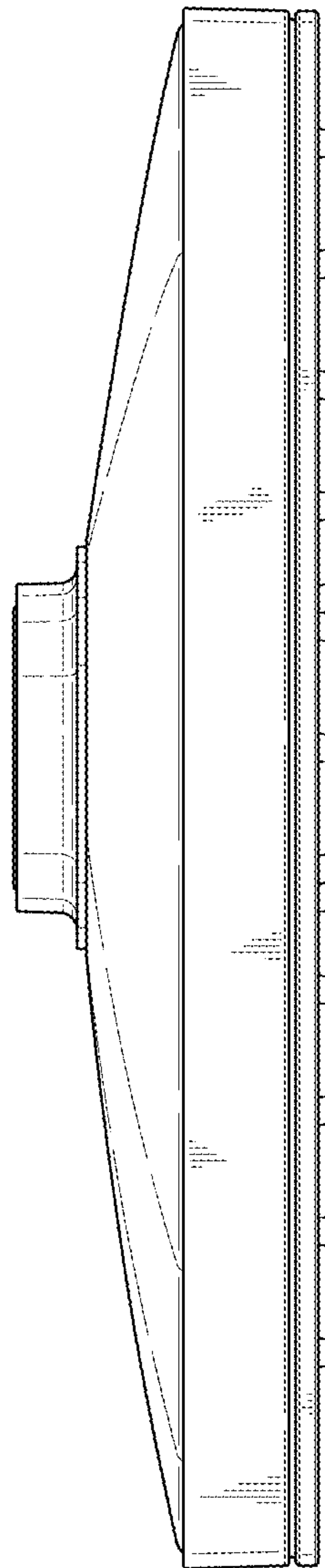


FIG. 5

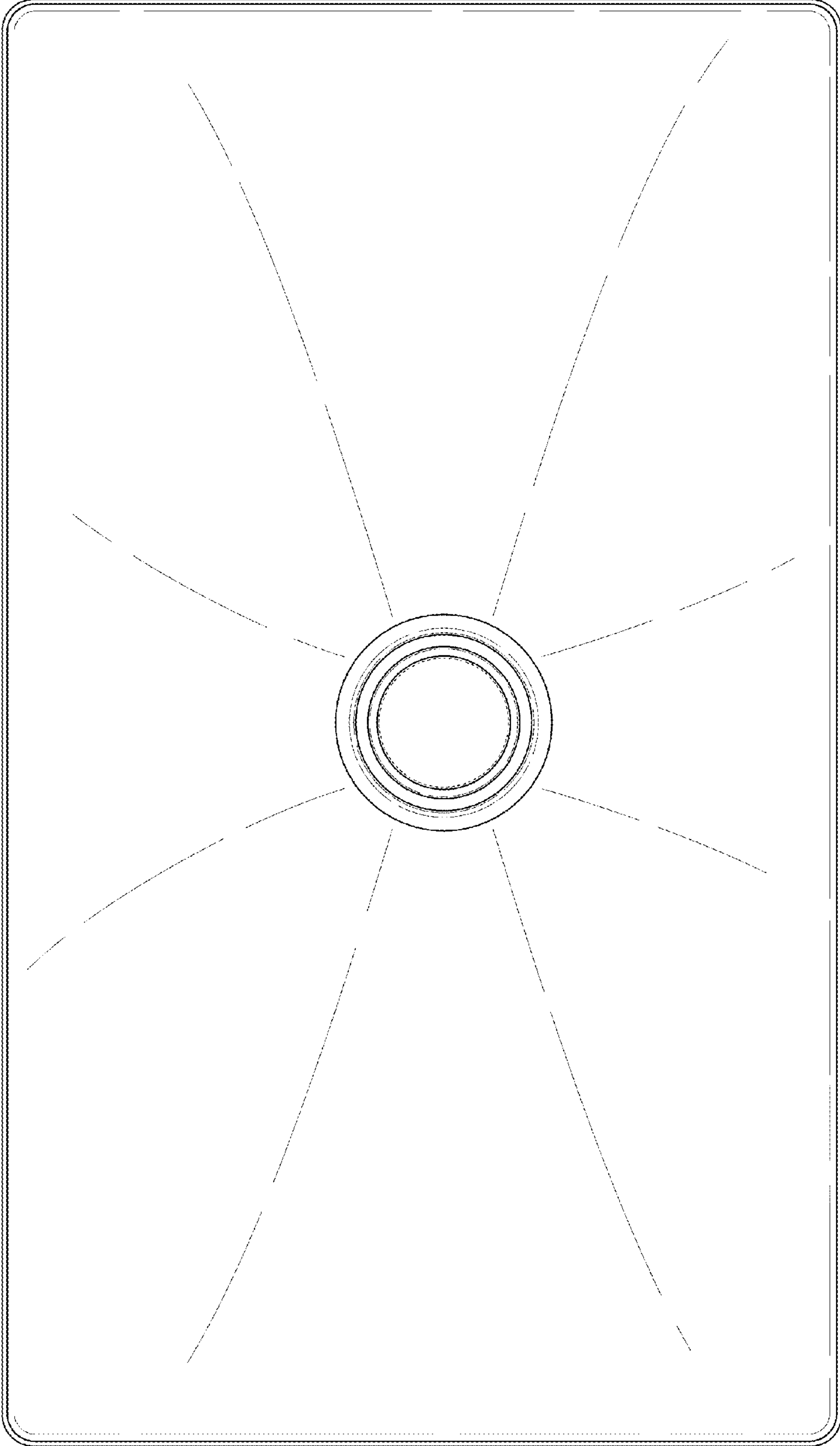


FIG. 6

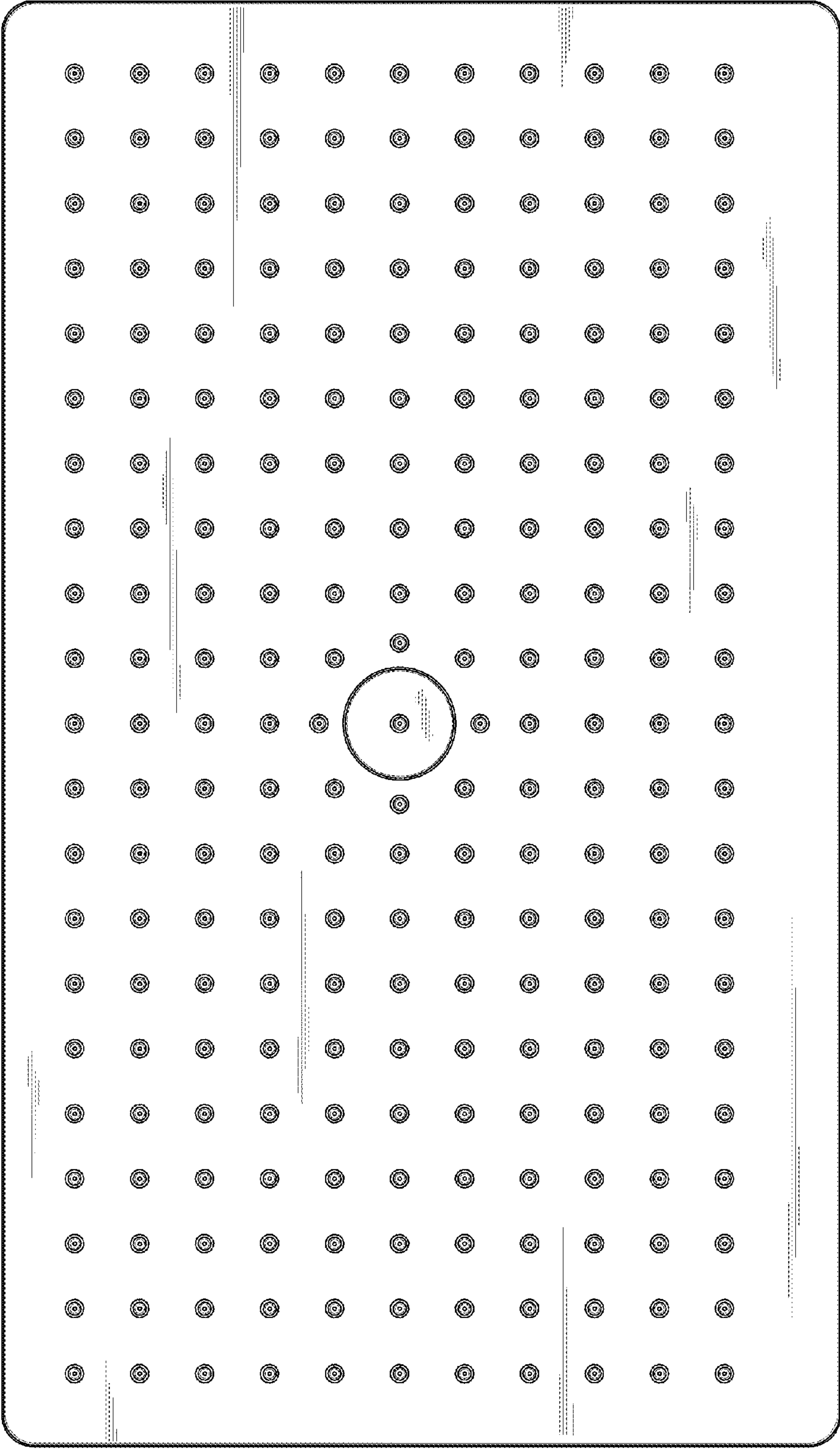


FIG. 7