



US00D757893S

(12) **United States Design Patent**
Walker et al.

(10) **Patent No.:** **US D757,893 S**
(45) **Date of Patent:** **** May 31, 2016**

(54) **JET NOZZLE INSERT**

(56) **References Cited**

(71) Applicant: **Custom Molded Products, Inc.**,
Newnan, GA (US)

U.S. PATENT DOCUMENTS

(72) Inventors: **Victor L. Walker**, Temecula, CA (US);
Zachary T. Vogtner, Atlanta, GA (US)

2,707,624	A *	5/1955	Shames	E03C 1/084 210/460
2,948,477	A *	8/1960	Fraser	B05B 1/3006 239/109
D191,512	S *	10/1961	Lyon	D12/206
D224,668	S *	8/1972	Burger et al.	D12/317
D244,027	S *	4/1977	Mooney	D13/156
D256,948	S *	9/1980	Boersma	D23/261
D263,499	S *	3/1982	Markowitz	D23/411
D270,943	S *	10/1983	Dennis	D23/411
D287,276	S *	12/1986	Little, Jr.	D23/411
4,965,893	A *	10/1990	Henkin	A61H 33/027 4/492
4,982,459	A *	1/1991	Henkin	A61H 33/027 4/492
D333,508	S *	2/1993	Wallace	D23/213
D334,616	S *	4/1993	Nimmo	D23/249

(73) Assignee: **Custom Molded Products, Inc.**,
Newnan, GA (US)

(**) Term: **14 Years**

(21) Appl. No.: **29/508,150**

(22) Filed: **Nov. 4, 2014**

(Continued)

(51) **LOC (10) Cl.** **23-01**

(52) **U.S. Cl.**
USPC **D23/213**

(58) **Field of Classification Search**
USPC D23/212, 213, 223, 227, 229, 249, 253,
D23/259-261, 380, 324, 330, 332, 335,
D23/353-369, 370-379, 381-386, 388, 390,
D23/393, 411-414, 499; D7/667, 668;
454/241, 248, 249, 254, 256, 264, 265,
454/275, 277, 292, 296; 362/96; D14/140,
D14/142, 148, 149, 172, 194, 195, 204, 209,
D14/210, 215, 216, 217, 219, 225, 257,
D14/496; D15/28; D26/119; D28/18;
D24/200, 201, 204; D12/204, 206,
D12/207, 209, 210, 216; 4/541.1, 541.2,
4/541.3, 541.4, 541.5, 541.6
CPC ... F04D 29/005; F04D 29/703; F04D 29/668;
A61H 33/027; A61H 33/025; A61H 33/0087;
A61H 33/6042; A61H 33/6047; A61H
33/6052; A61H 2201/0173; A61H 2201/1207;
A61H 2201/1678; A61H 2033/0083

See application file for complete search history.

OTHER PUBLICATIONS

Air X Nozzels(CMP). c-m-p.com. (online) 4 pages. Published Jan. 2015[retrieved on Oct. 25, 2015]. Retrieved from Internet: https://web.archive.org/web/20150125053524/http://www.c-m-p.com/spa-products/air-x.*

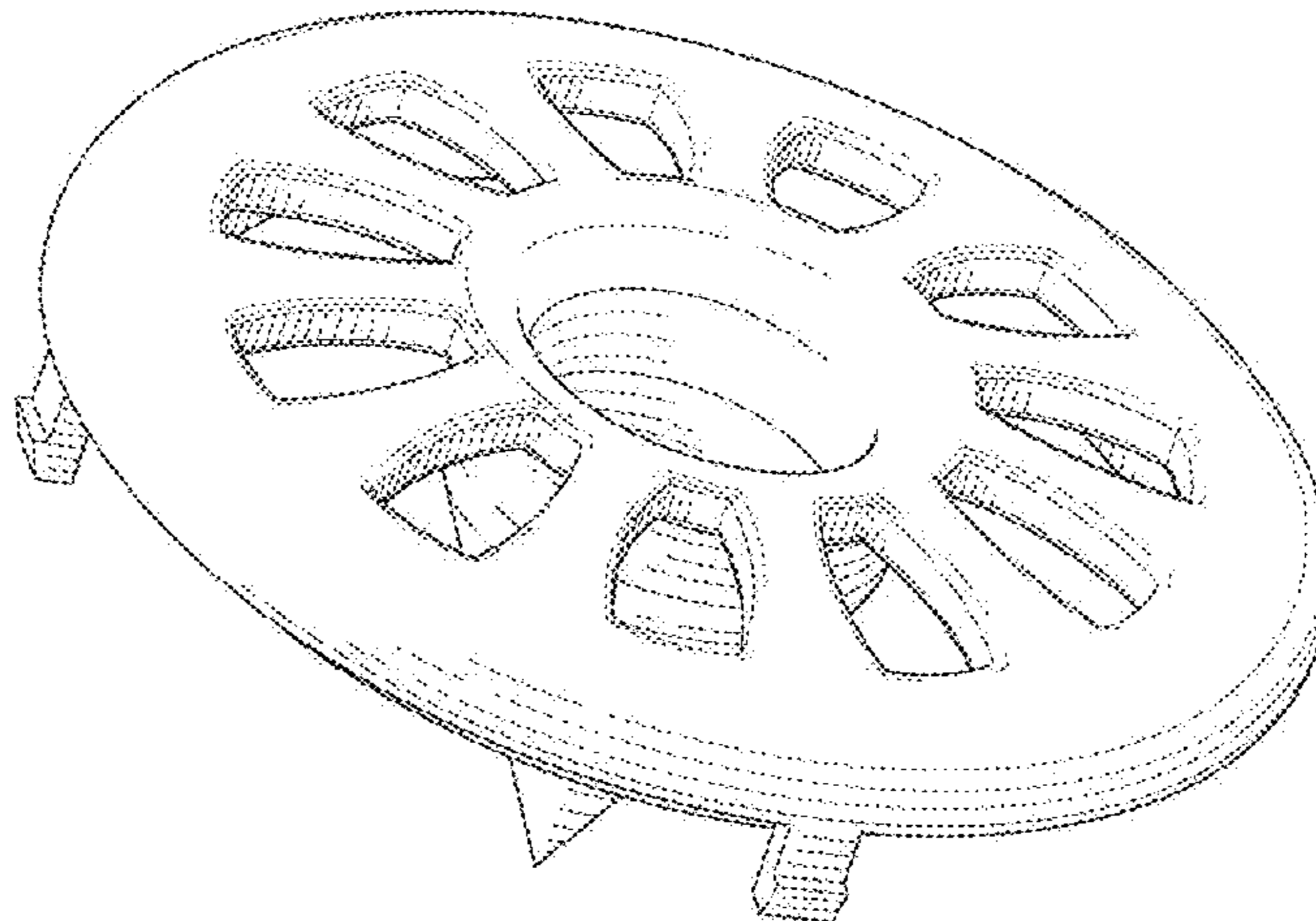
Primary Examiner — Susan Bennett Hattan
Assistant Examiner — Marie Fast Horse
(74) *Attorney, Agent, or Firm* — Laurence P. Colton; Smith Tempel Blaha LLC

(57) **CLAIM**
The ornamental design for a jet nozzle insert, as shown and described.

DESCRIPTION

FIG. 1 is a perspective view of the jet nozzle insert of the present design.
FIG. 2 is a top view thereof.
FIG. 3 is a front view thereof.
FIG. 4 is a back view thereof.
FIG. 5 is a left side view thereof.
FIG. 6 is a right side view thereof; and,
FIG. 7 is a bottom view thereof.

1 Claim, 7 Drawing Sheets



(56)

References Cited

U.S. PATENT DOCUMENTS

D348,924 S *	7/1994	Merrett	D23/261				
D362,651 S *	9/1995	Hsu	D12/204				
D407,139 S *	3/1999	Wright	D23/213				
6,263,522 B1 *	7/2001	Dongo	A61H 33/027				
				239/281				
6,334,224 B1 *	1/2002	Chalberg	A61H 33/027				
				4/541.4				
6,361,432 B1 *	3/2002	Walker	F24F 13/06				
				454/290				
D460,192 S *	7/2002	Collins	D24/204				
6,470,509 B1 *	10/2002	Ayeni	A61H 33/027				
				4/541.6				
6,631,999 B1 *	10/2003	Chang	F21V 1/10				
				362/101				
D483,028 S *	12/2003	Morrow, Jr.	D14/225				
6,691,336 B2 *	2/2004	Buck	A61H 33/027				
				239/222.17				
6,860,437 B1 *	3/2005	Amendt	A61H 33/027				
				239/381				
D524,435 S *	7/2006	Linn	D23/390				
D536,066 S *	1/2007	Grether	D23/249				
D563,529 S *	3/2008	Labonte	D23/261				
D577,100 S *	9/2008	Brown	D23/213				
D598,561 S *	8/2009	Vogtner	D24/204				
D608,009 S *	1/2010	Vogtner	D23/213				
D623,264 S *	9/2010	Parrott	D23/213				
D632,776 S *	2/2011	dos Anjos	D23/411				
D653,080 S *	1/2012	Haley	D7/376				
D655,820 S *	3/2012	Thomas	D24/204				
					D660,765 S *	5/2012	Gotschke D12/209
					D690,642 S *	10/2013	Kito D12/209
					D715,211 S *	10/2014	Gotschke D12/204
					8,869,320 B1 *	10/2014	Santamarina A61H 33/027
								239/428.5
					D725,751 S *	3/2015	Luo D23/260
					D726,886 S *	4/2015	Sutherland D23/261
					9,109,610 B2 *	8/2015	Streng F04D 25/06
					D739,327 S *	9/2015	Wagener D12/209
					2005/0262627 A1 *	12/2005	Jyue Chen A61H 33/027
								4/541.6
					2007/0289056 A1 *	12/2007	Reynoso A61H 33/027
								4/541.6
					2008/0182505 A1 *	7/2008	Oosterhuis F24F 13/105
								454/290
					2008/0196153 A1 *	8/2008	Walker A61H 33/6063
								4/541.6
					2008/0276363 A1 *	11/2008	Chen A61H 33/027
								4/541.6
					2009/0126099 A1 *	5/2009	Holtsnider A61H 33/6063
								4/541.6
					2009/0193574 A1 *	8/2009	Holtsnider A61H 33/6063
								4/541.6
					2009/0276952 A1 *	11/2009	Wooten A61H 33/6063
								4/541.6
					2011/0272492 A1 *	11/2011	Simpson B05B 1/3026
								239/462
					2012/0174312 A1 *	7/2012	Loyd B05B 1/3026
								4/541.6
					2014/0101840 A1 *	4/2014	Harder A61H 33/6052
								4/541.6

* cited by examiner

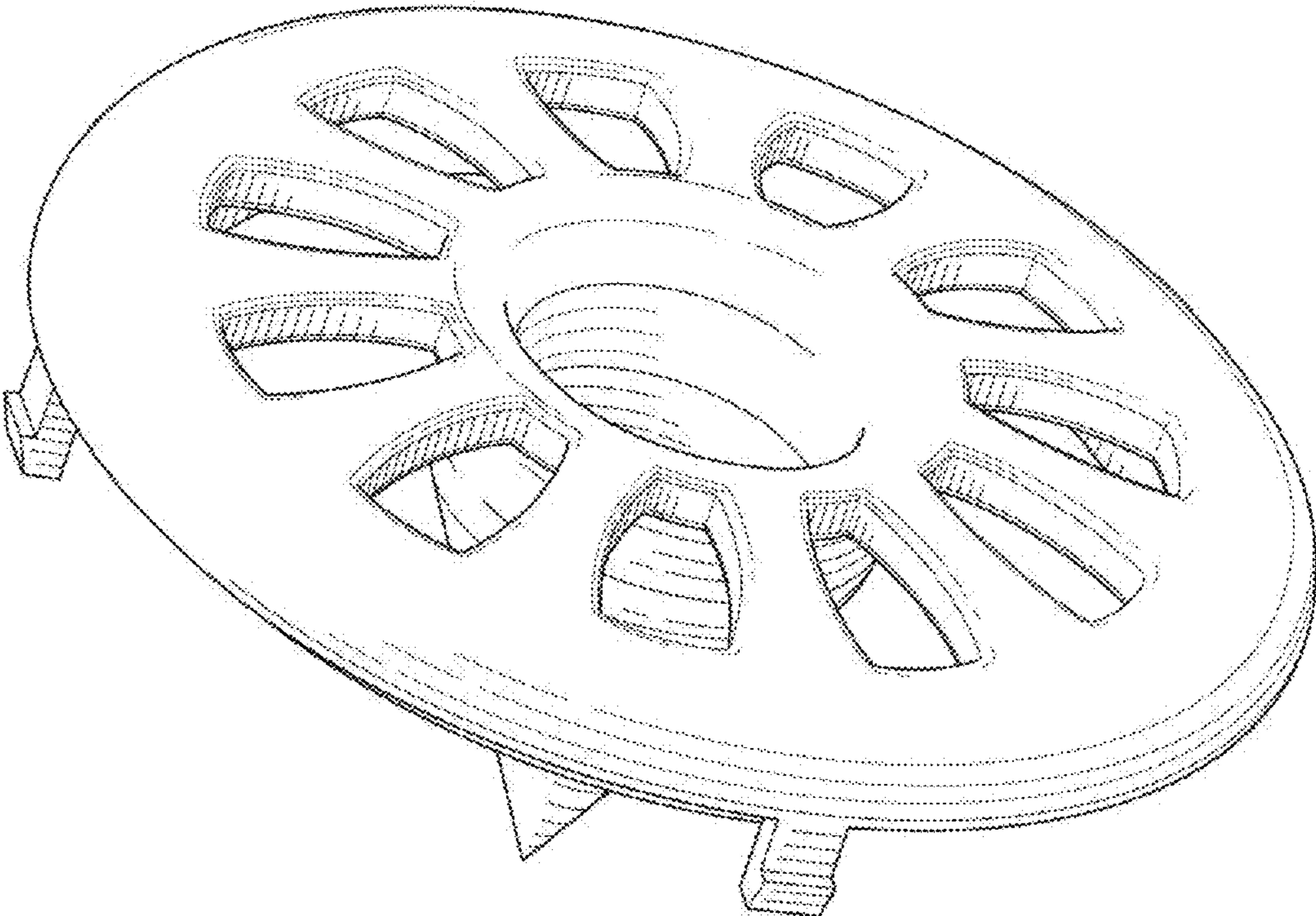


Fig. 1

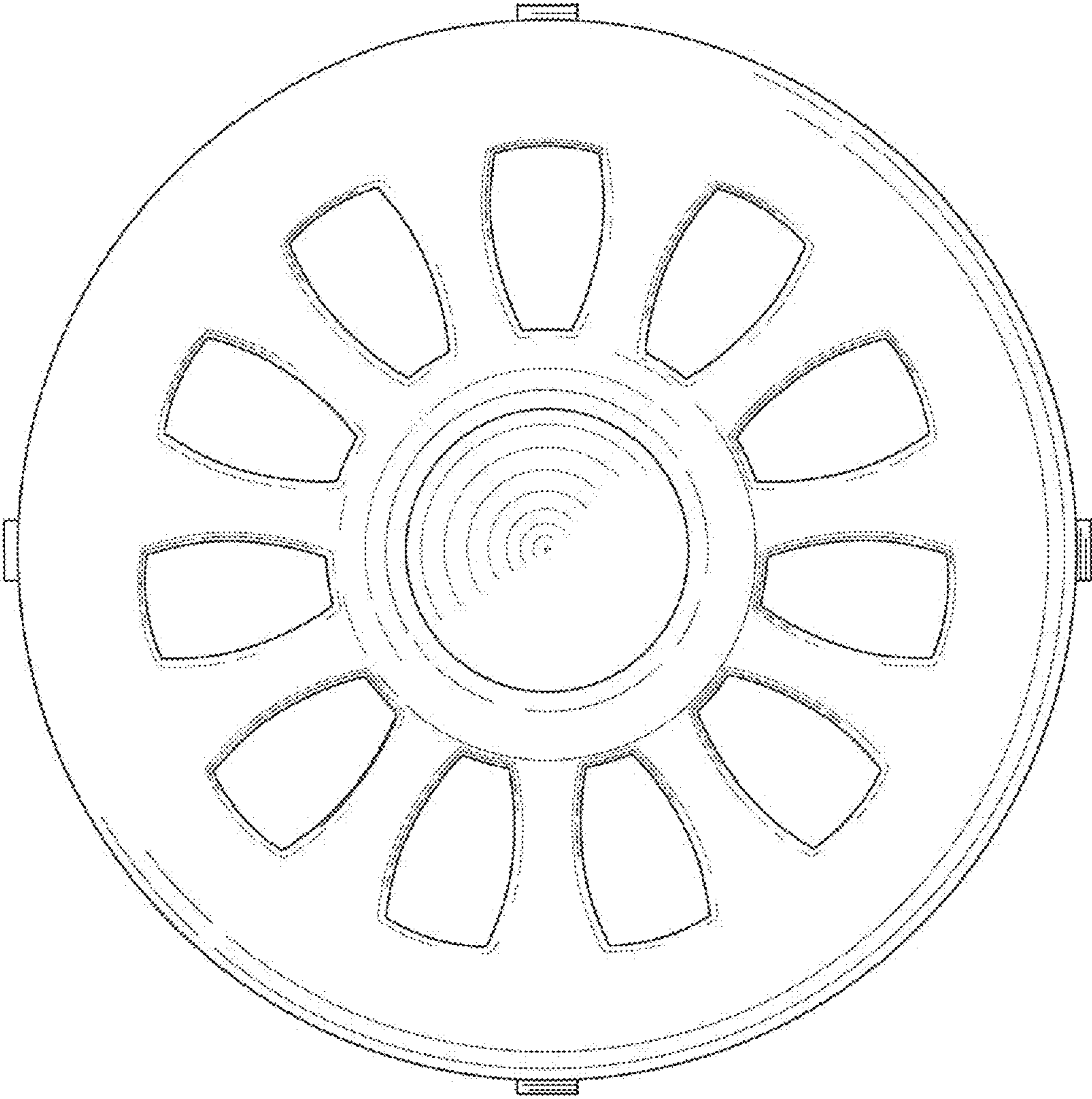


Fig. 2

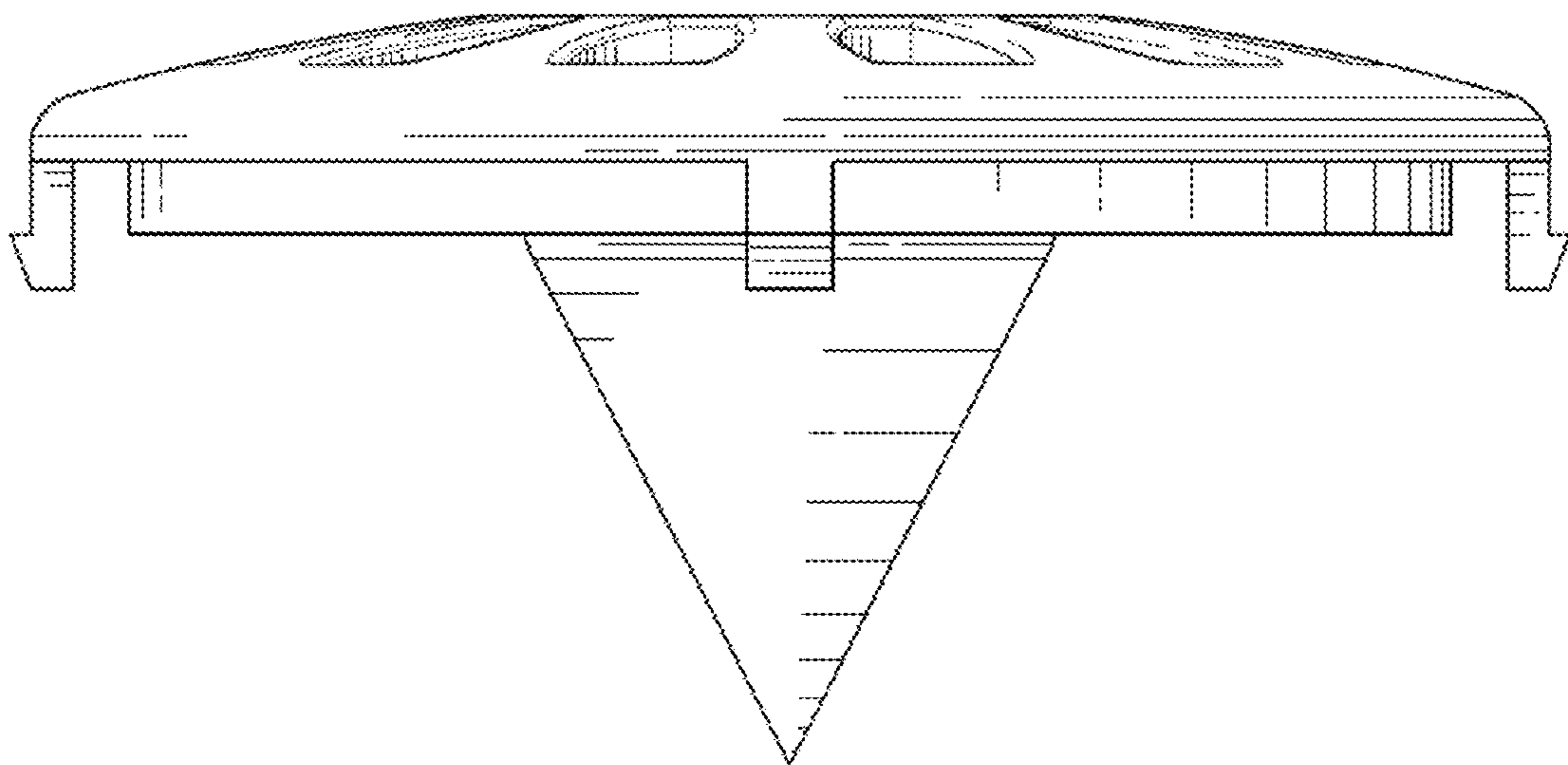


Fig. 3

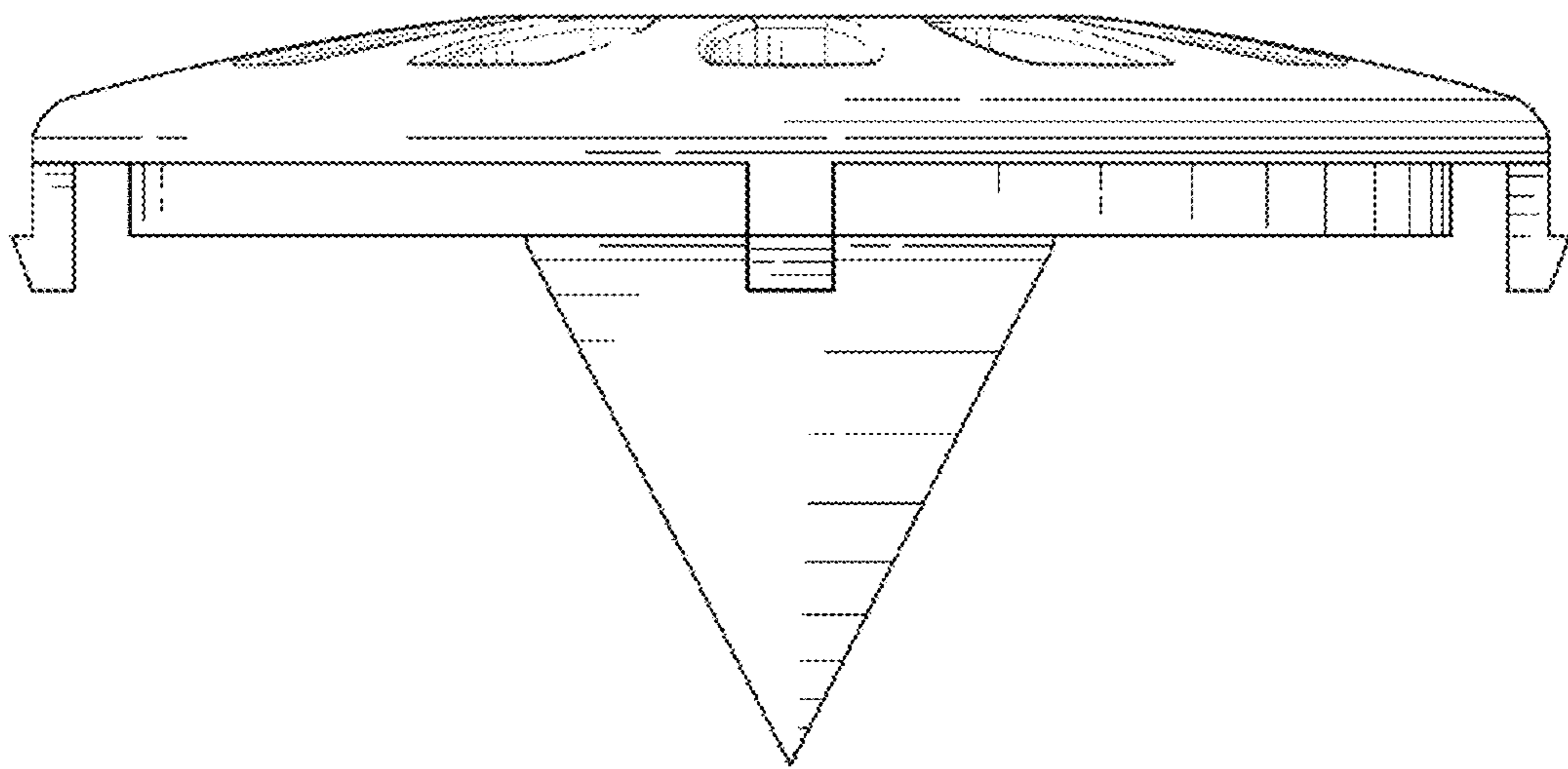


Fig. 4

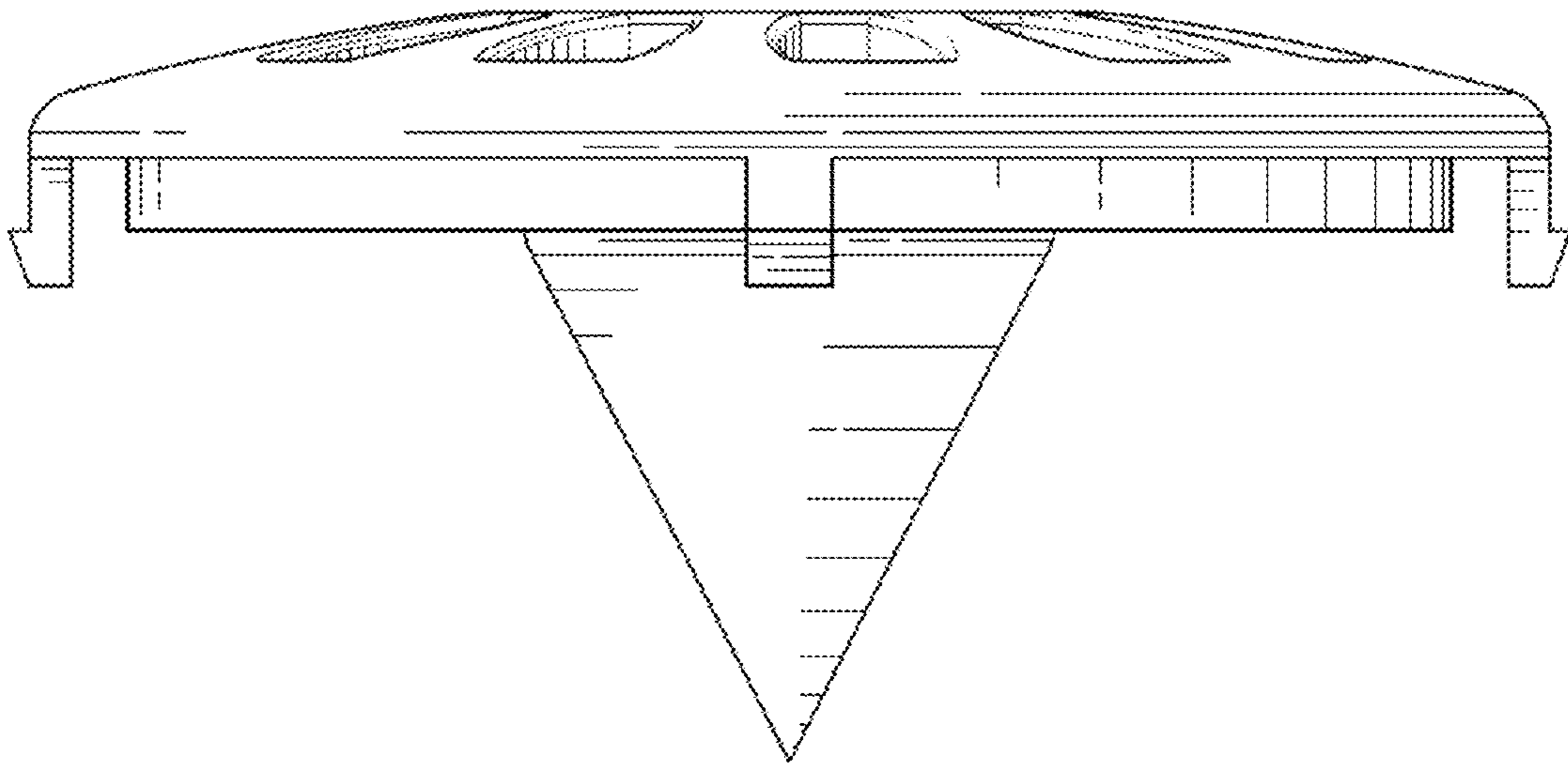


Fig. 5

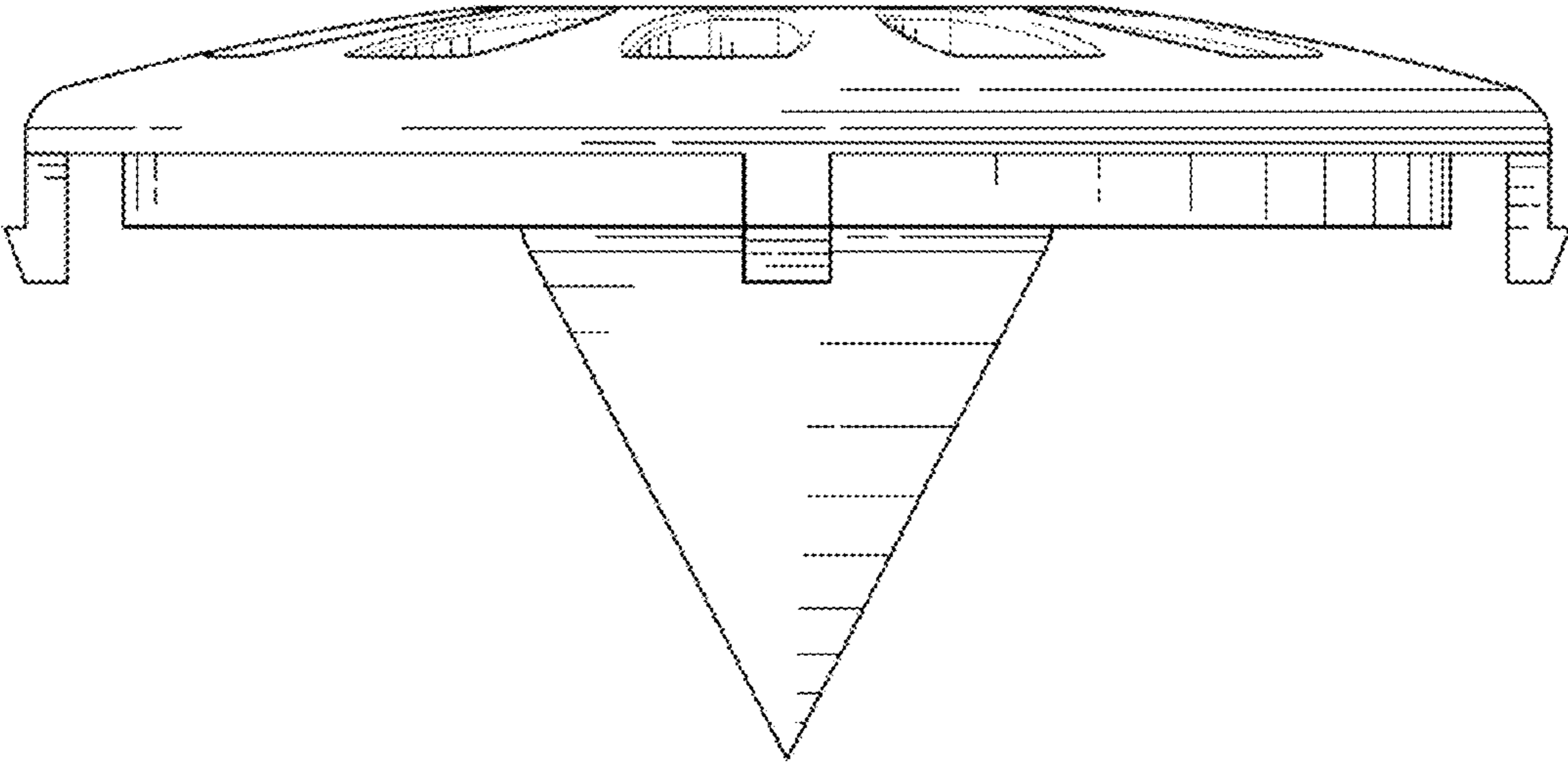


Fig. 6

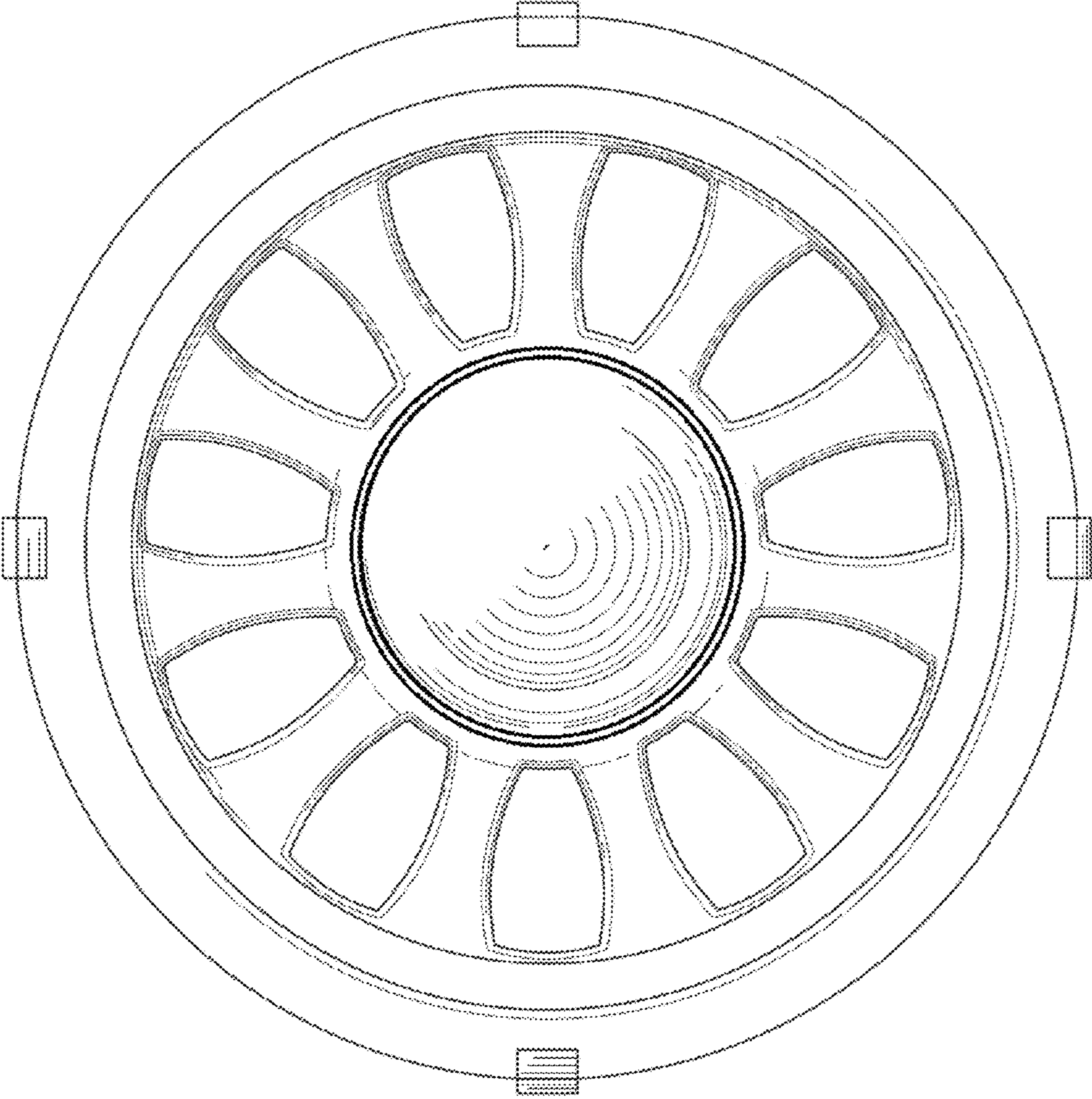


Fig. 7