



US00D757892S

(12) **United States Design Patent**
Walker et al.

(10) **Patent No.:** **US D757,892 S**
(45) **Date of Patent:** **** May 31, 2016**

(54) **JET NOZZLE INSERT**
(71) Applicant: **Custom Molded Products, Inc.**,
Newnan, GA (US)
(72) Inventors: **Victor L. Walker**, Temecula, CA (US);
Zachary T. Vogtner, Atlanta, GA (US)
(73) Assignee: **Custom Molded Products, Inc.**,
Newnan, GA (US)
(**) Term: **14 Years**
(21) Appl. No.: **29/508,148**

2,948,477 A * 8/1960 Fraser B05B 1/3006
239/109
D191,512 S * 10/1961 Lyon D12/206
D224,668 S * 8/1972 Burger et al. D12/317
D244,027 S * 4/1977 Mooney D13/156
D256,948 S * 9/1980 Boersma D23/261
D266,558 S * 10/1982 Breen D12/123
4,965,893 A * 10/1990 Henkin A61H 33/027
4/492
4,982,459 A * 1/1991 Henkin A61H 33/027
4/492
D333,508 S * 2/1993 Wallace D23/213
D334,616 S * 4/1993 Nimmo D23/249
D348,924 S * 7/1994 Merrett D23/261
D362,651 S * 9/1995 Hsu D12/204

(Continued)

(22) Filed: **Nov. 4, 2014**
(51) **LOC (10) Cl.** **23-01**
(52) **U.S. Cl.**
USPC **D23/213**
(58) **Field of Classification Search**
USPC D23/212, 213, 223, 227, 229, 249, 253,
D23/259-261, 380, 324, 330, 332, 335,
D23/353-369, 370-379, 381-386, 388, 390,
D23/393, 411-414, 499; D7/667, 668;
454/241, 248, 249, 254, 256, 264, 265,
454/275, 277, 292, 296; 362/96; D14/140,
D14/142, 148, 149, 172, 194, 195, 204, 209,
D14/210, 215, 216, 217, 219, 225, 257,
D14/496; D15/28; D26/119; D28/18;
D24/200, 201, 204; D12/204, 206,
D12/207, 209, 210, 216; 4/541.1, 541.2,
4/541.3, 541.4, 541.5, 541.6
CPC ... F04D 29/005; F04D 29/703; F04D 29/668;
A61H 33/027; A61H 33/025; A61H 33/0087;
A61H 33/6042; A61H 33/6047; A61H
33/6052; A61H 2201/0173; A61H 2201/1207;
A61H 2201/1678; A61H 2033/0083
See application file for complete search history.

OTHER PUBLICATIONS

Air X Nozzels(Cmp). c-m-p. com. (online) 4 pp.. Published Jan.
2015[retrieved on 2015-10-25]. Retrieved from Internet: https://web.archive.org/web/20151025053524/http://www.c-m-p.com/spa-products/air-x.*

Primary Examiner — Susan Bennett Hattan
Assistant Examiner — Marie Fast Horse
(74) *Attorney, Agent, or Firm* — Laurence P. Colton; Smith
Tempel Blaha LLC

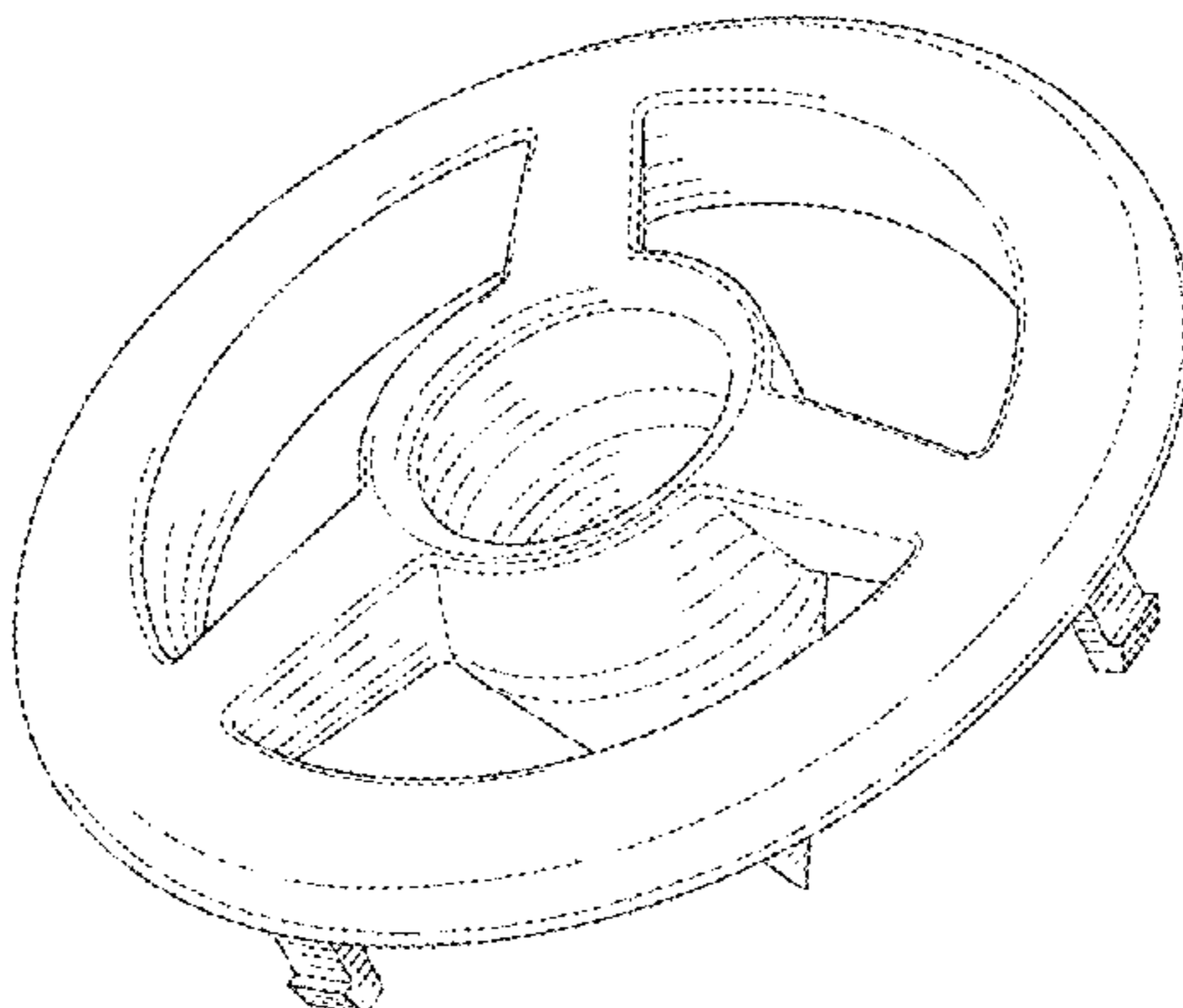
(57) **CLAIM**
The ornamental design for a jet nozzle insert, as shown and
described.

DESCRIPTION

FIG. 1 is a perspective view of the jet nozzle insert of the
present design.
FIG. 2 is a top view thereof.
FIG. 3 is a front view thereof.
FIG. 4 is a back view thereof.
FIG. 5 is a left side view thereof.
FIG. 6 is a right side view thereof; and,
FIG. 7 is a bottom view thereof.

(56) **References Cited**
U.S. PATENT DOCUMENTS
2,707,624 A * 5/1955 Shames E03C 1/084
210/460

1 Claim, 7 Drawing Sheets



(56)

References Cited

U.S. PATENT DOCUMENTS

D407,139 S *	3/1999	Wright	D23/213	D623,264 S *	9/2010	Parrott	D23/213
D428,155 S *	7/2000	Chalberg	D24/204	D632,776 S *	2/2011	dos Anjos	D23/411
6,263,522 B1 *	7/2001	Dongo	A61H 33/027	D653,080 S *	1/2012	Haley	D7/376
				239/281	D655,820 S *	3/2012	Thomas	D24/204
6,334,224 B1 *	1/2002	Chalberg	A61H 33/027	8,869,320 B1 *	10/2014	Santamarina	A61H 33/027
				4/541.4					239/428.5
D460,192 S *	7/2002	Collins	D24/204	D725,751 S *	3/2015	Luo	D23/260
6,470,509 B1 *	10/2002	Ayeni	A61H 33/027	D726,886 S *	4/2015	Sutherland	D23/261
				4/541.6	9,109,610 B2 *	8/2015	Streng	F04D 25/06
6,631,999 B1 *	10/2003	Chang	F21V 1/10	D739,795 S *	9/2015	Juskowich	D12/133
				362/101	2005/0262627 A1 *	12/2005	Jyue Chen	A61H 33/027
D481,967 S *	11/2003	Cohen	D10/128					4/541.6
6,691,336 B2 *	2/2004	Buck	A61H 33/027	2007/0289056 A1 *	12/2007	Reynoso	A61H 33/027
				239/222.17					4/541.6
6,860,437 B1 *	3/2005	Amendt	A61H 33/027	2008/0182505 A1 *	7/2008	Oosterhuis	F24F 13/105
				239/381					454/290
D536,066 S *	1/2007	Grether	D23/249	2008/0196153 A1 *	8/2008	Walker	A61H 33/6063
D536,067 S *	1/2007	Grether	D23/249					4/541.6
D536,424 S *	2/2007	Grether	D23/249	2008/0276363 A1 *	11/2008	Chen	A61H 33/027
D539,390 S *	3/2007	Grether	D23/249					4/541.6
D550,207 S *	9/2007	Mizokawa	D14/216	2009/0126099 A1 *	5/2009	Holtsnider	A61H 33/6063
D563,529 S *	3/2008	Labonte	D23/261					4/541.6
D570,961 S *	6/2008	Grether	D23/208	2009/0193574 A1 *	8/2009	Holtsnider	A61H 33/6063
D577,100 S *	9/2008	Brown	D23/213					4/541.6
D584,801 S *	1/2009	Grether	D23/249	2009/0276952 A1 *	11/2009	Wooten	A61H 33/6063
D591,403 S *	4/2009	Grether	D23/249					4/541.6
D596,736 S *	7/2009	Lin	D23/383	2011/0272492 A1 *	11/2011	Simpson	B05B 1/3026
D598,561 S *	8/2009	Vogtner	D24/204					239/462
D608,009 S *	1/2010	Vogtner	D23/213	2012/0174312 A1 *	7/2012	Loyd	B05B 1/3026
									4/541.6
					2014/0101840 A1 *	4/2014	Harder	A61H 33/6052
									4/541.6

* cited by examiner

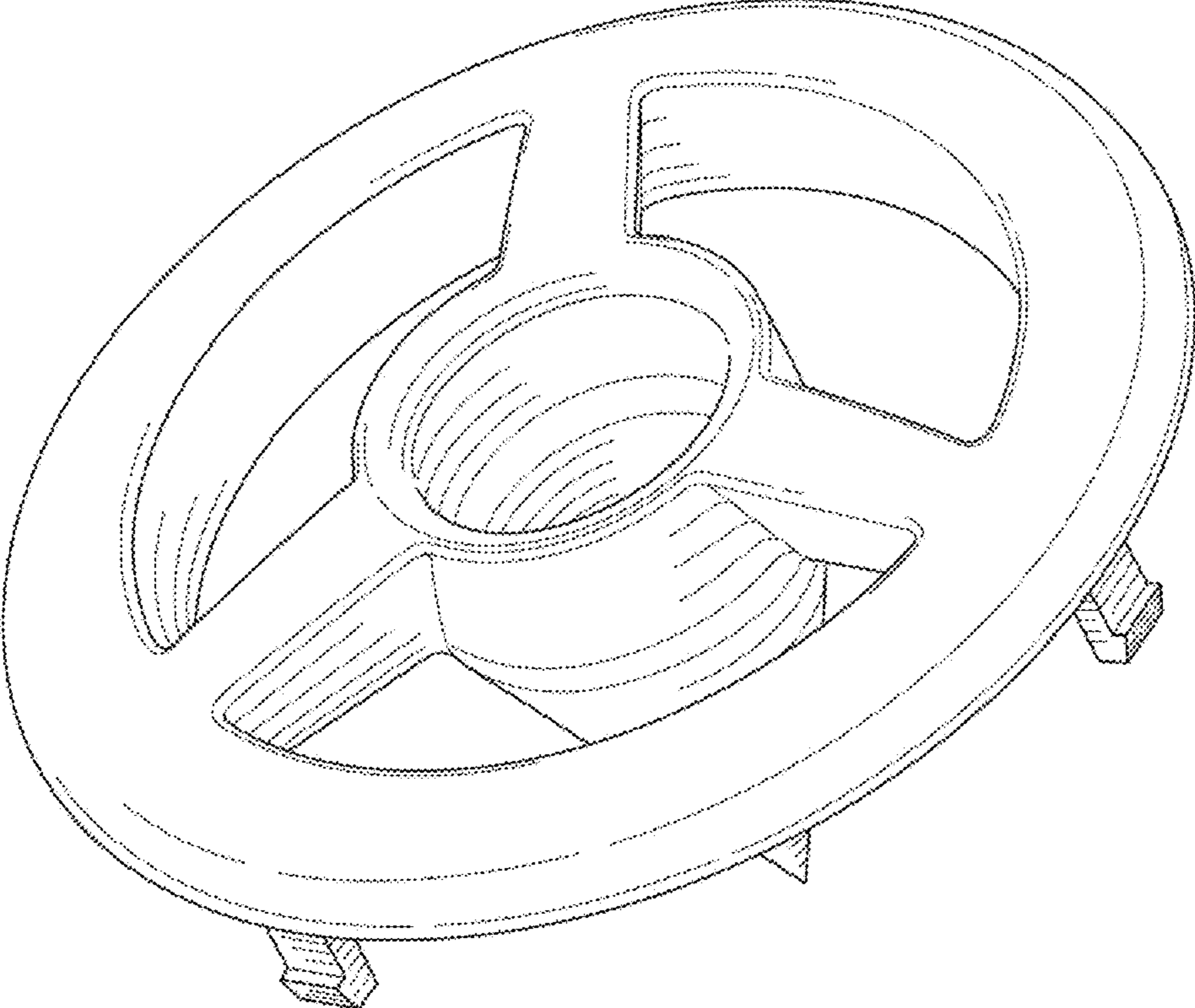


Fig. 1

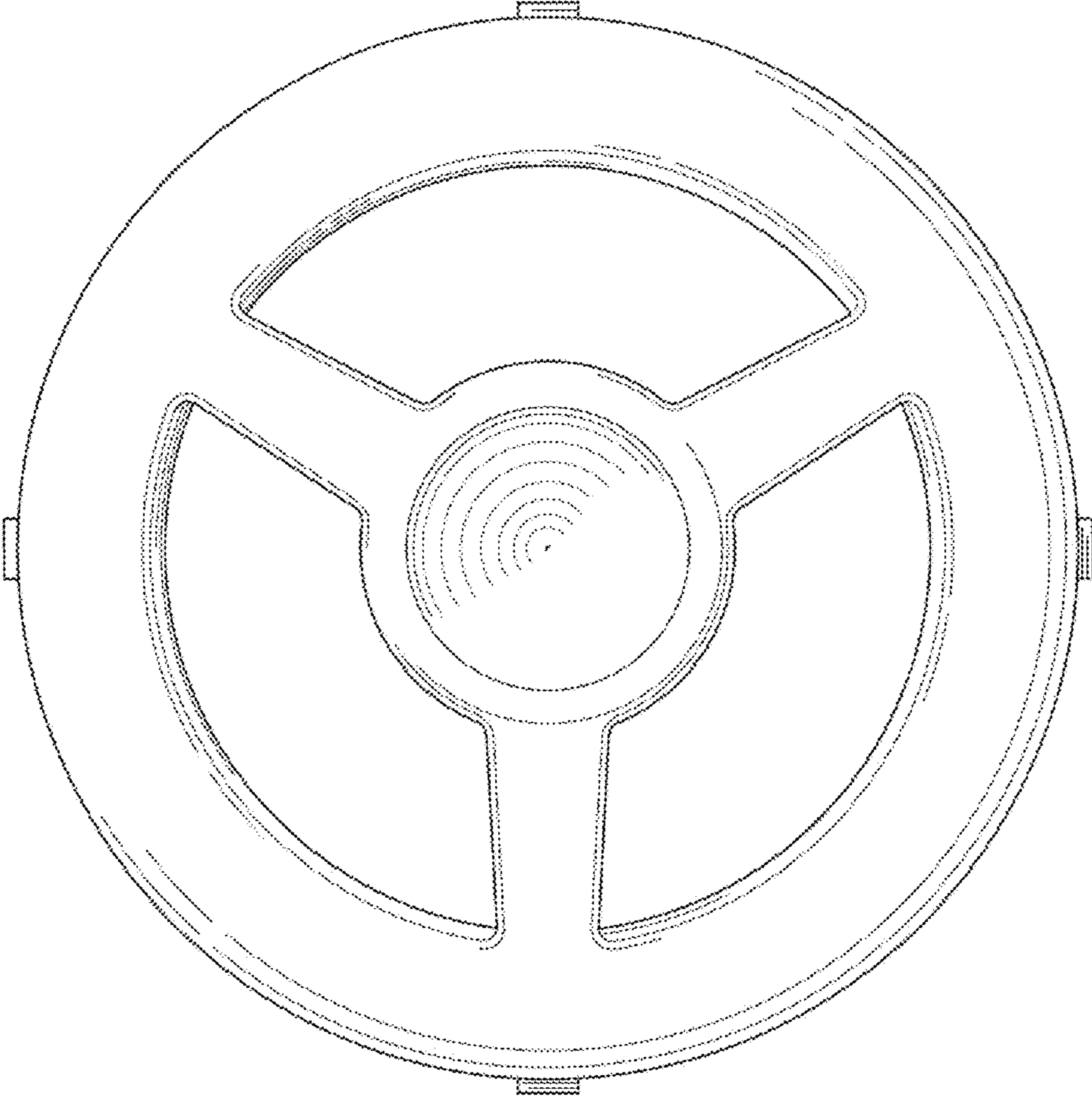


Fig. 2

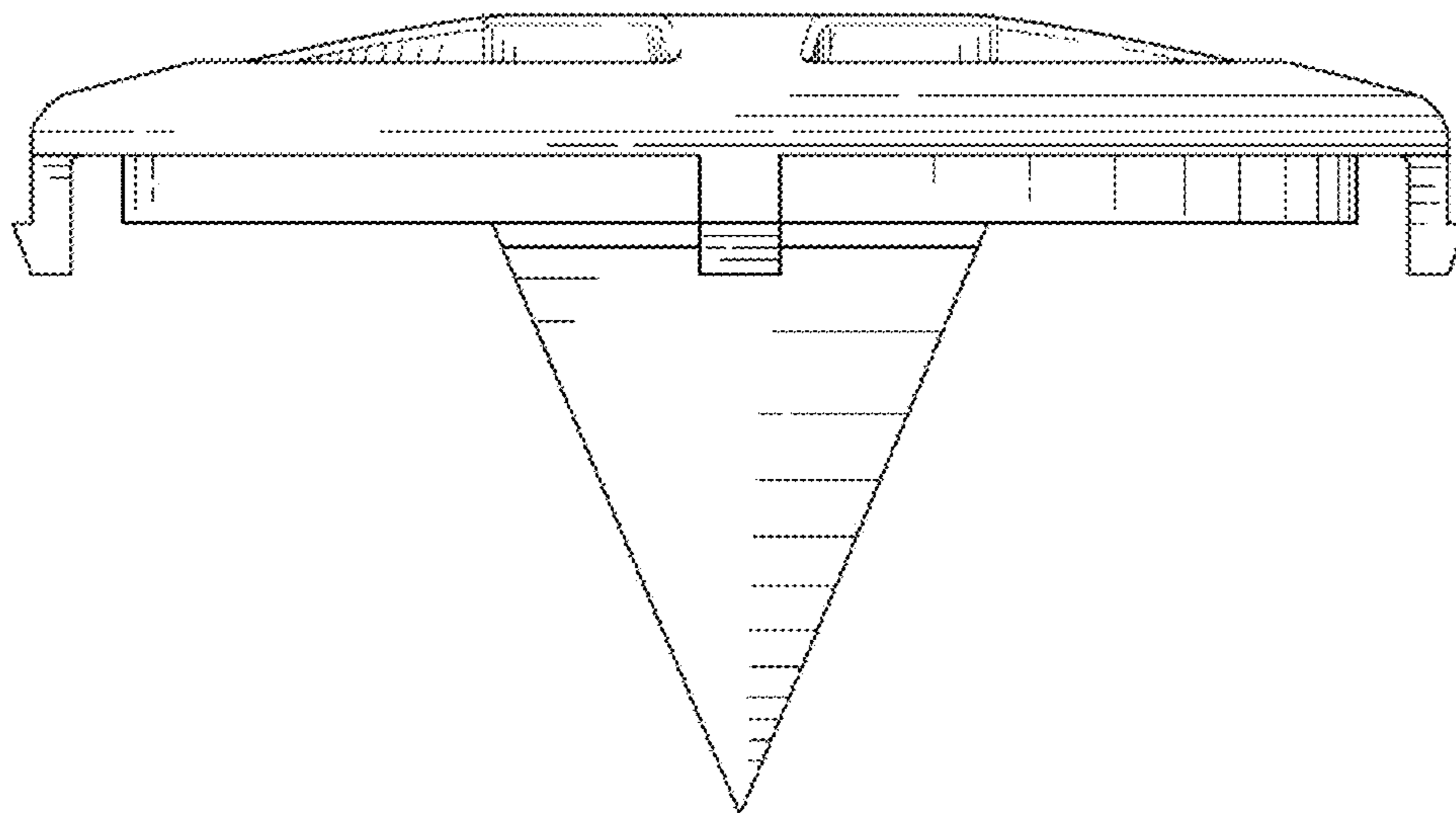


Fig. 3

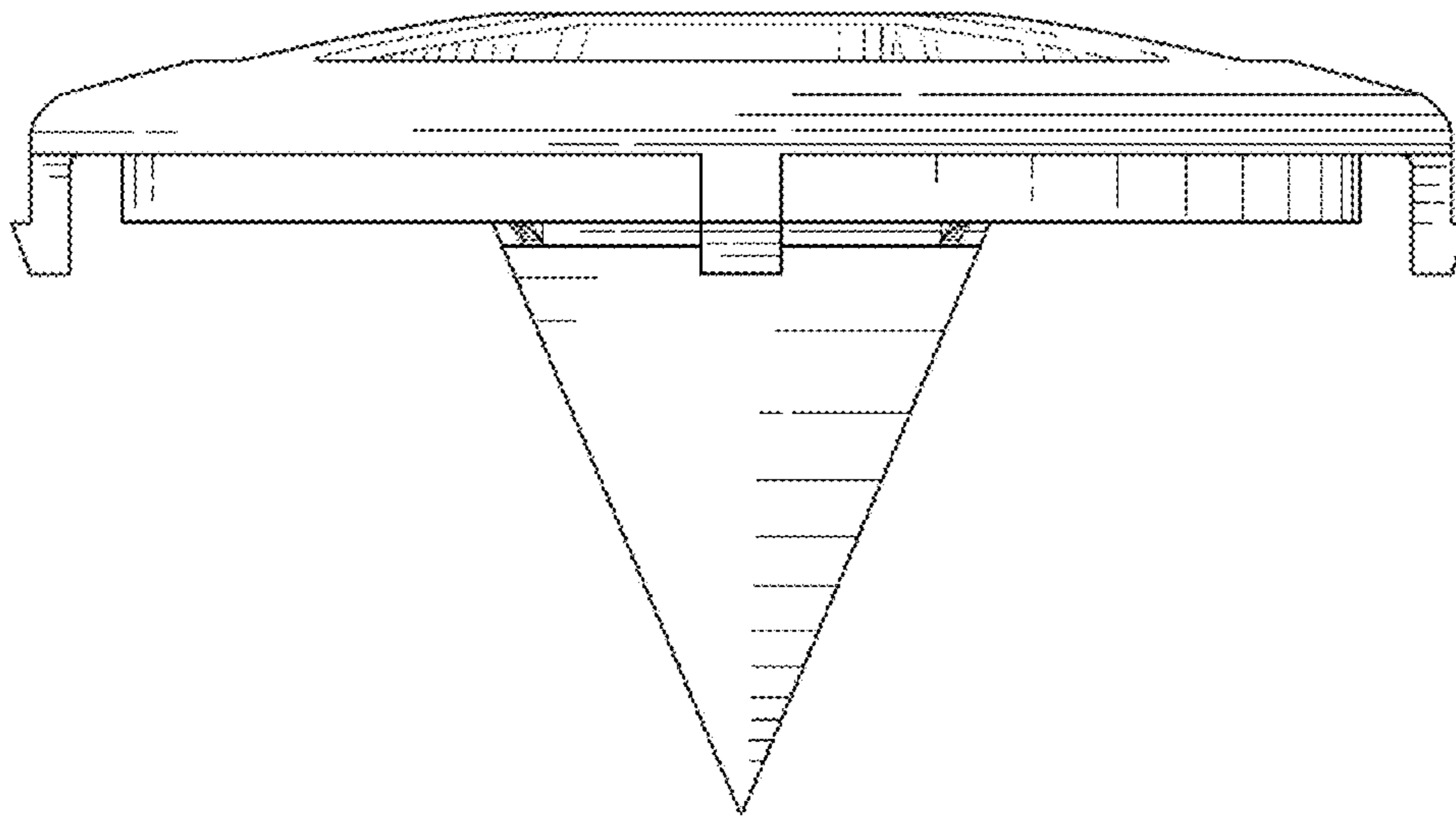


Fig. 4

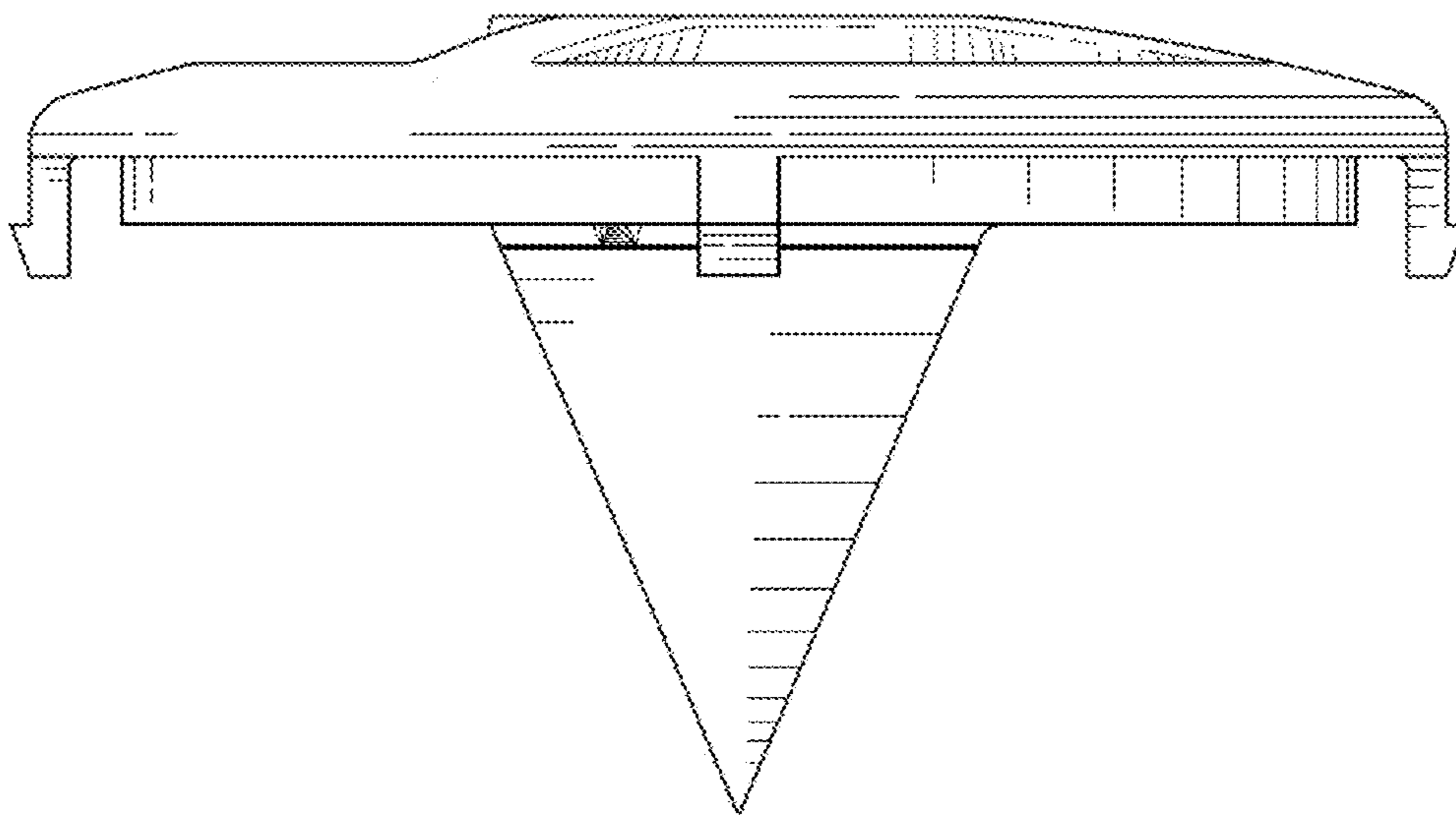


Fig. 5

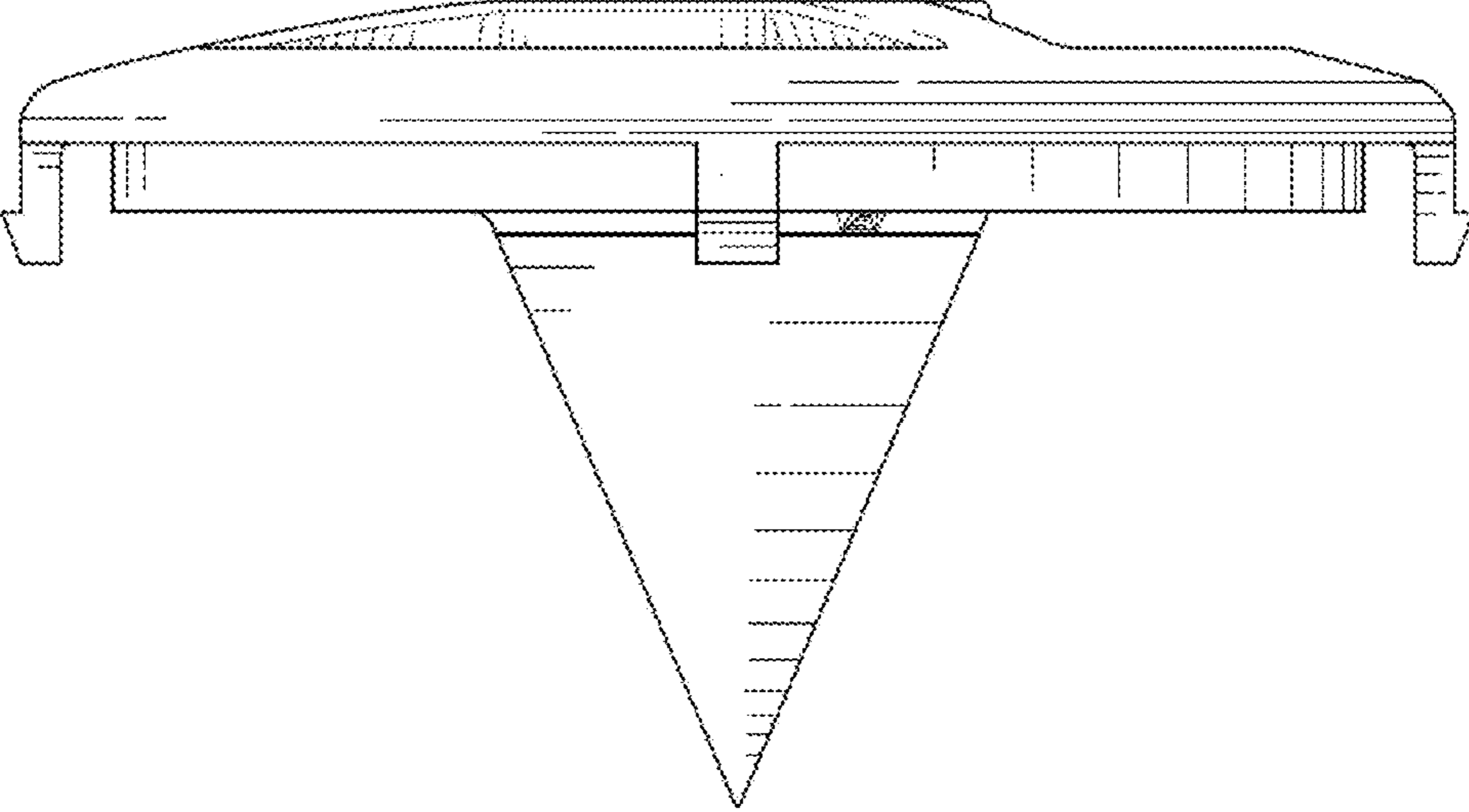


Fig. 6

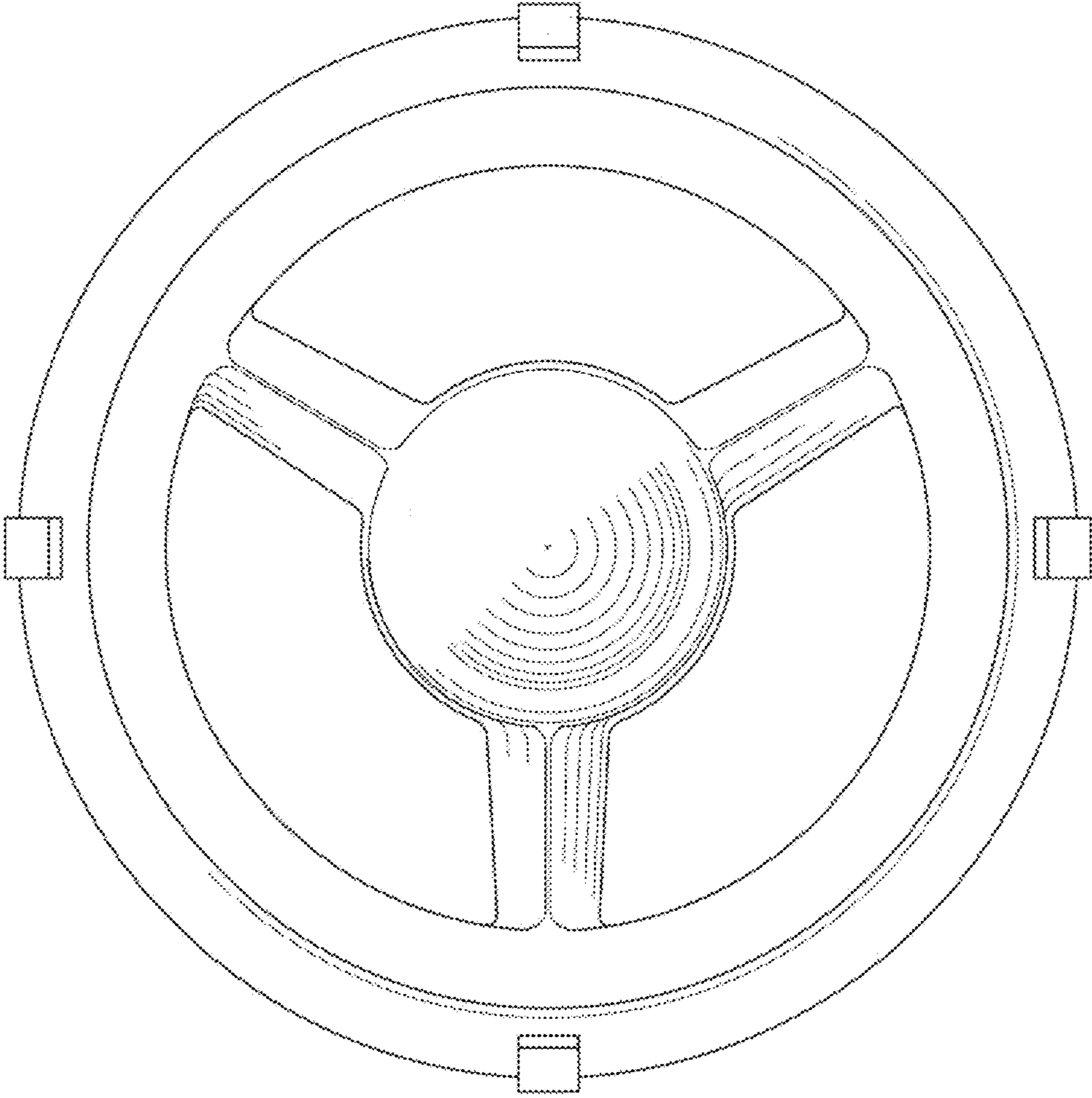


Fig. 7