



US00D757890S

(12) **United States Design Patent**
Lai

(10) **Patent No.:** **US D757,890 S**

(45) **Date of Patent:** **** May 31, 2016**

(54) **OIL POT**

(71) Applicant: **SHIANG YU PLASTIC INDUSTRIAL CO.,LTD.**, Changhua (TW)

(72) Inventor: **Kuan-Yu Lai**, Changhua (TW)

(73) Assignee: **SHIANG YU PLASTIC INDUSTRIAL CO., LTD.**, Changhua (TW)

(**) Term: **14 Years**

(21) Appl. No.: **29/504,491**

(22) Filed: **Oct. 7, 2014**

(51) **LOC (10) Cl.** **23-01**

(52) **U.S. Cl.**
USPC **D23/211.2**

(58) **Field of Classification Search**
USPC D9/500, 516, 530, 763-783, 527, 528, D9/531, 533-535, 547; 215/381-385; 220/660, 669, 675; D23/211.1, 211.2, D23/212; D12/218
CPC B21D 51/26; B21D 51/383; B29C 66/71; B65D 1/40; B65D 1/0223; B65D 1/0246; B65D 17/163; B65D 17/165; B65D 25/00; B65D 2215/02; B65D 2517/0094; B65D 2519/00502; B65D 2543/00296; Y10T 29/49826

See application file for complete search history.

(56) **References Cited**

U.S. PATENT DOCUMENTS

D278,928 S *	5/1985	Gerber	D23/212
D314,810 S *	2/1991	Carlson	D23/212
D324,492 S *	3/1992	Nickerson	D9/502
5,158,216 A *	10/1992	Viani	A47G 19/12 222/465.1
D337,947 S *	8/1993	Lauter	D9/525
D715,895 S *	10/2014	Wang	D23/212

* cited by examiner

Primary Examiner — Keli L Hill

(74) *Attorney, Agent, or Firm* — Jackson IPG PLLC; Demian K. Jackson

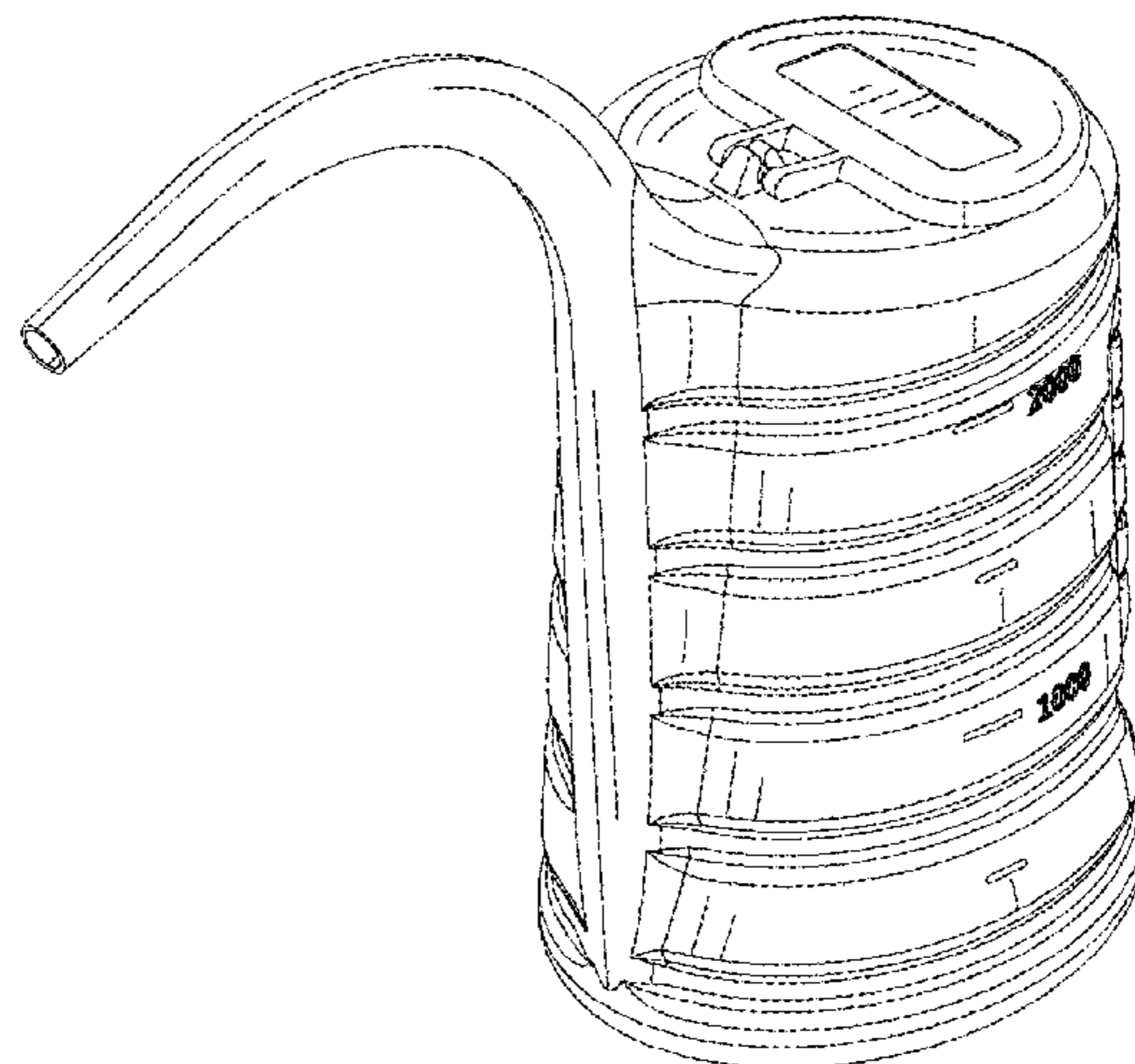
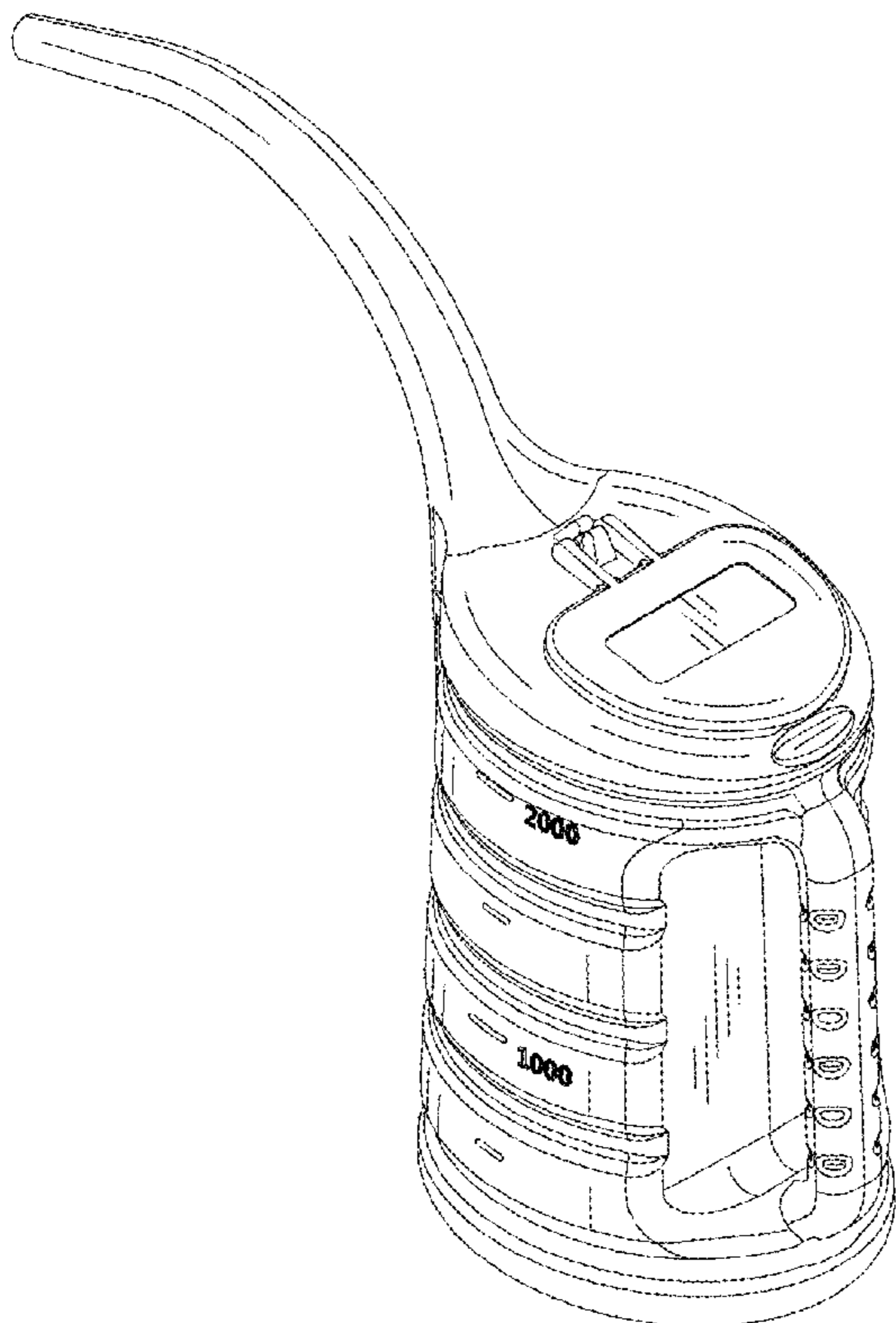
(57) **CLAIM**

The ornamental design for an oil pot, as shown and described.

DESCRIPTION

FIG. 1 is a front view of an oil pot showing my new design; FIG. 2 is a rear view thereof; FIG. 3 is a left view thereof; FIG. 4 is a right view thereof; FIG. 5 is a top view thereof; FIG. 6 is a bottom view thereof; FIG. 7 is a perspective view thereof; and, FIG. 8 is another perspective view on the oil pot thereof. Those portions of the illustrated design illustrated by broken lines form no part of the claimed design.

1 Claim, 8 Drawing Sheets



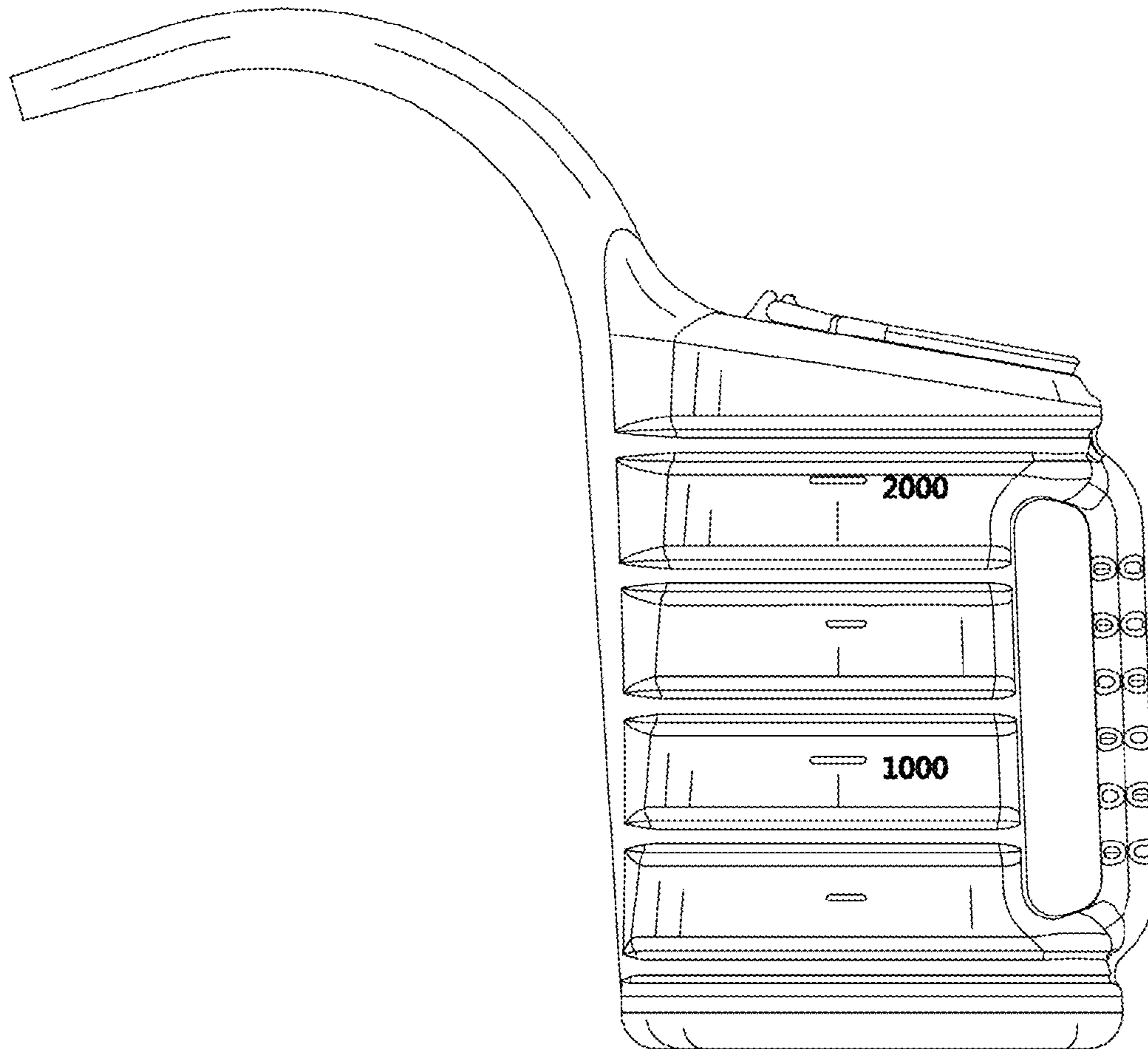


Fig. 1

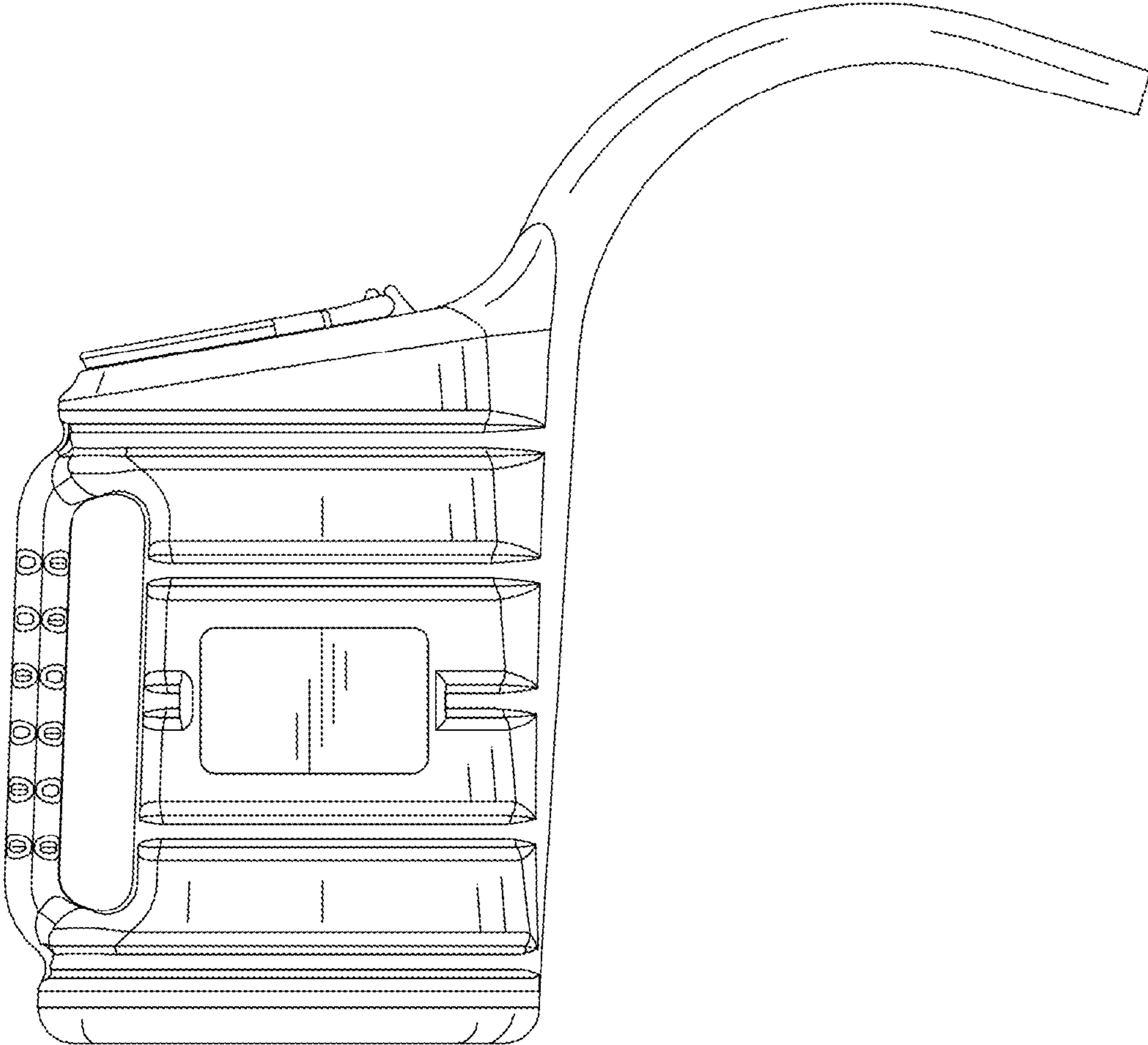


FIG. 2

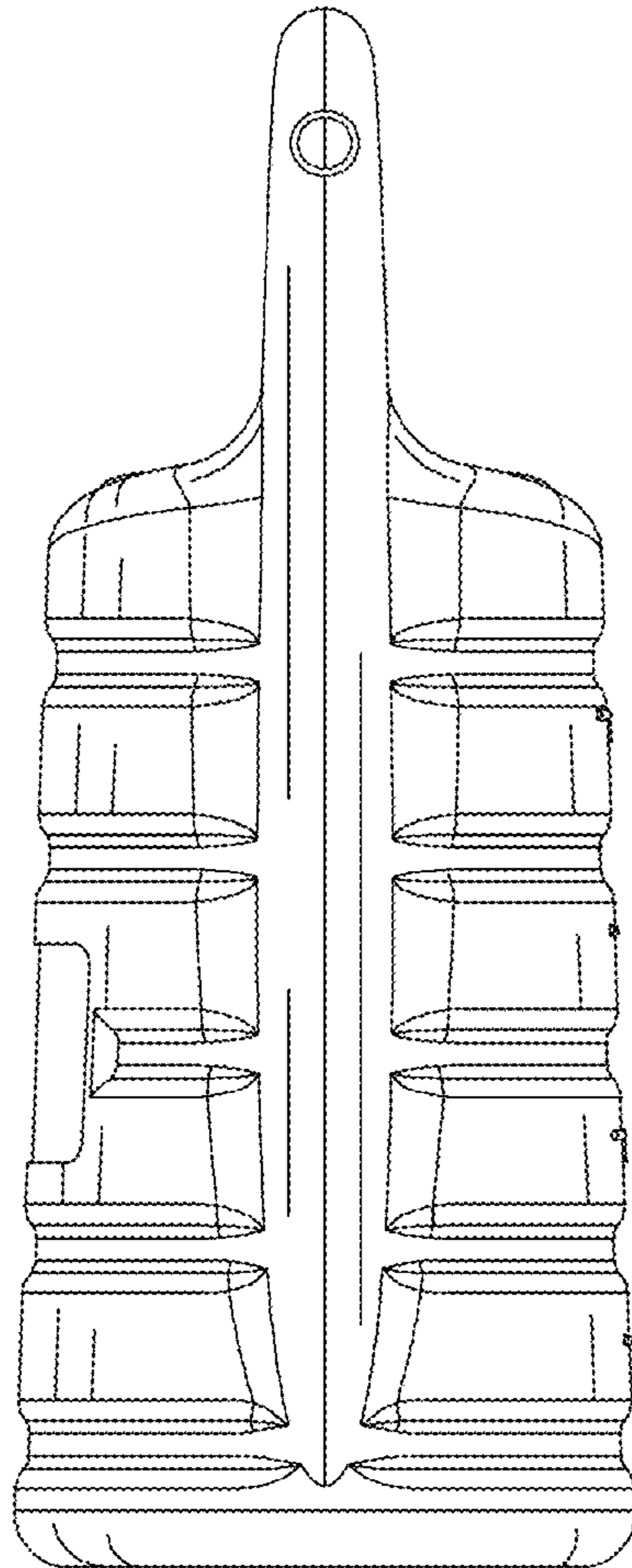


Fig. 3

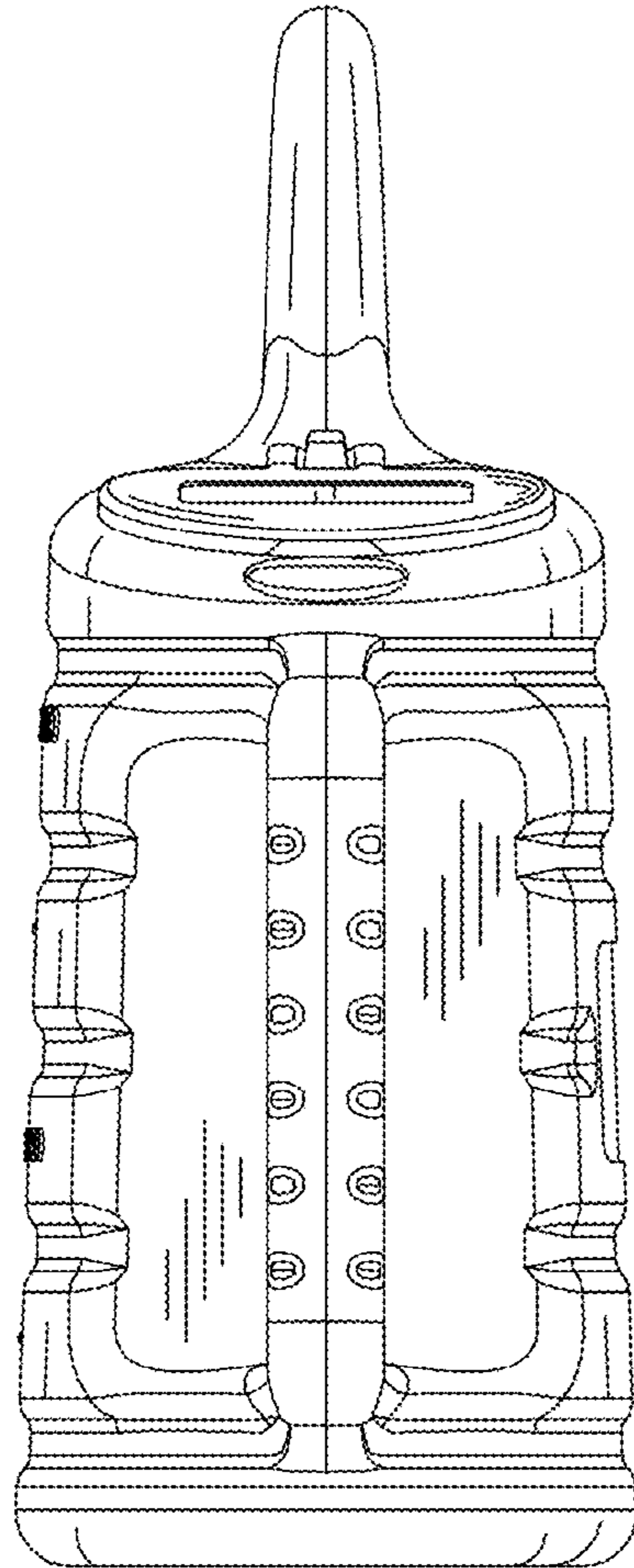


Fig. 4

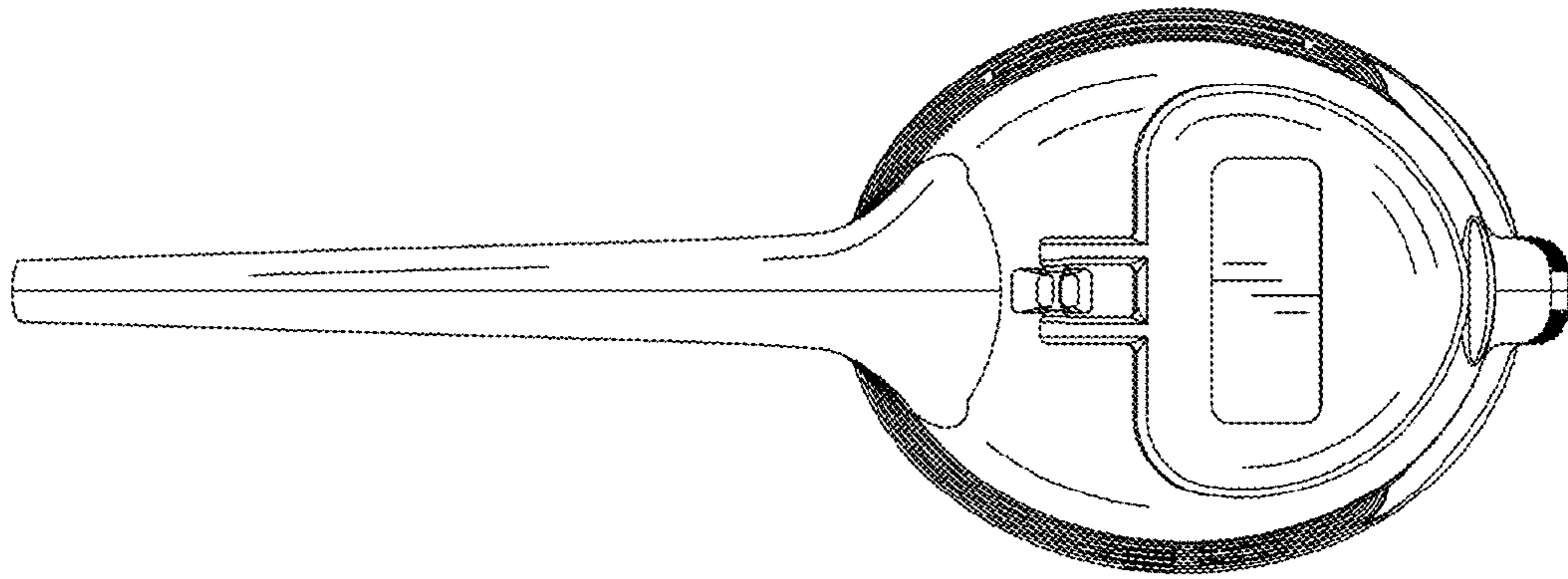


Fig. 5

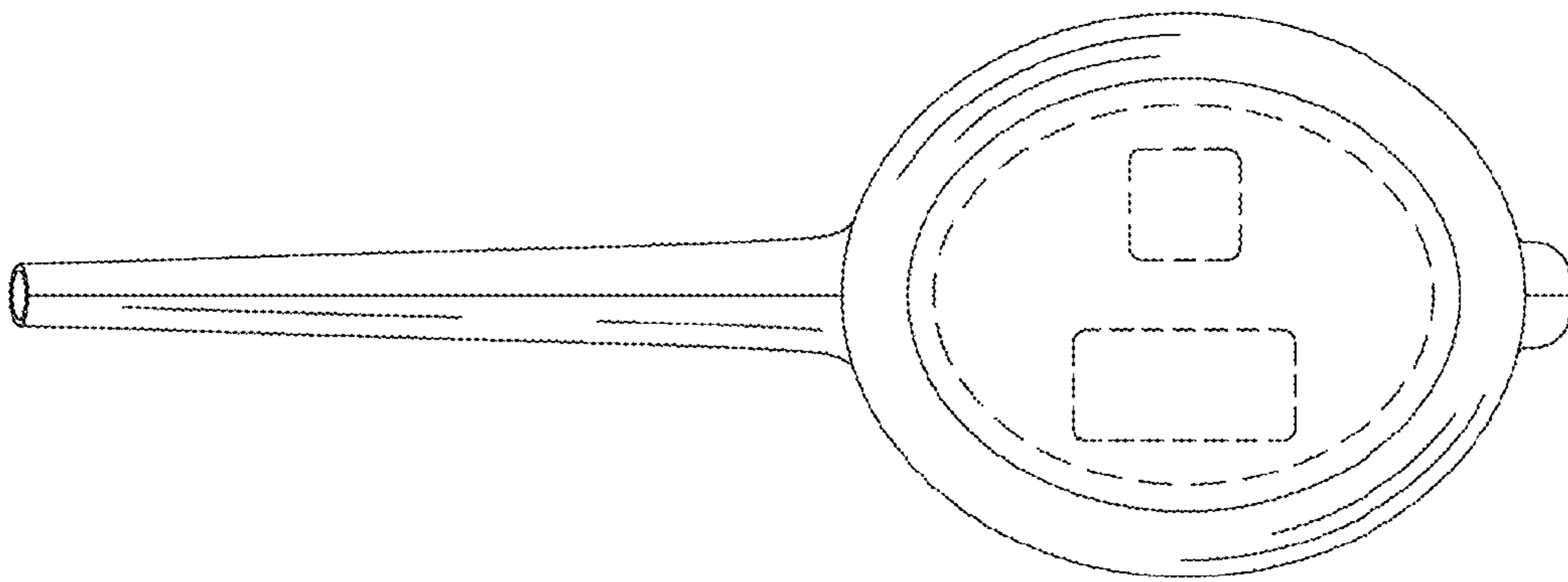


Fig. 6

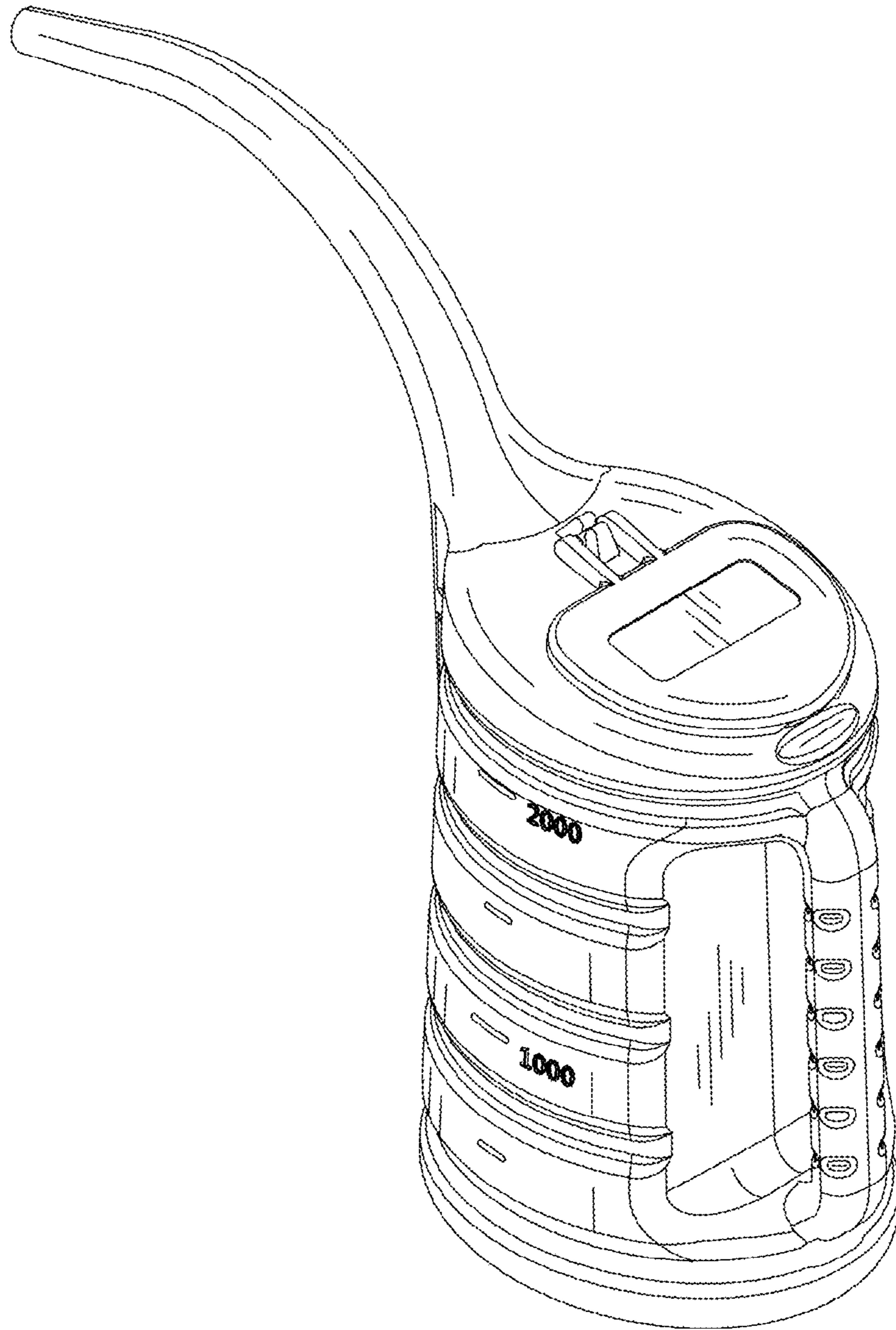


Fig. 7

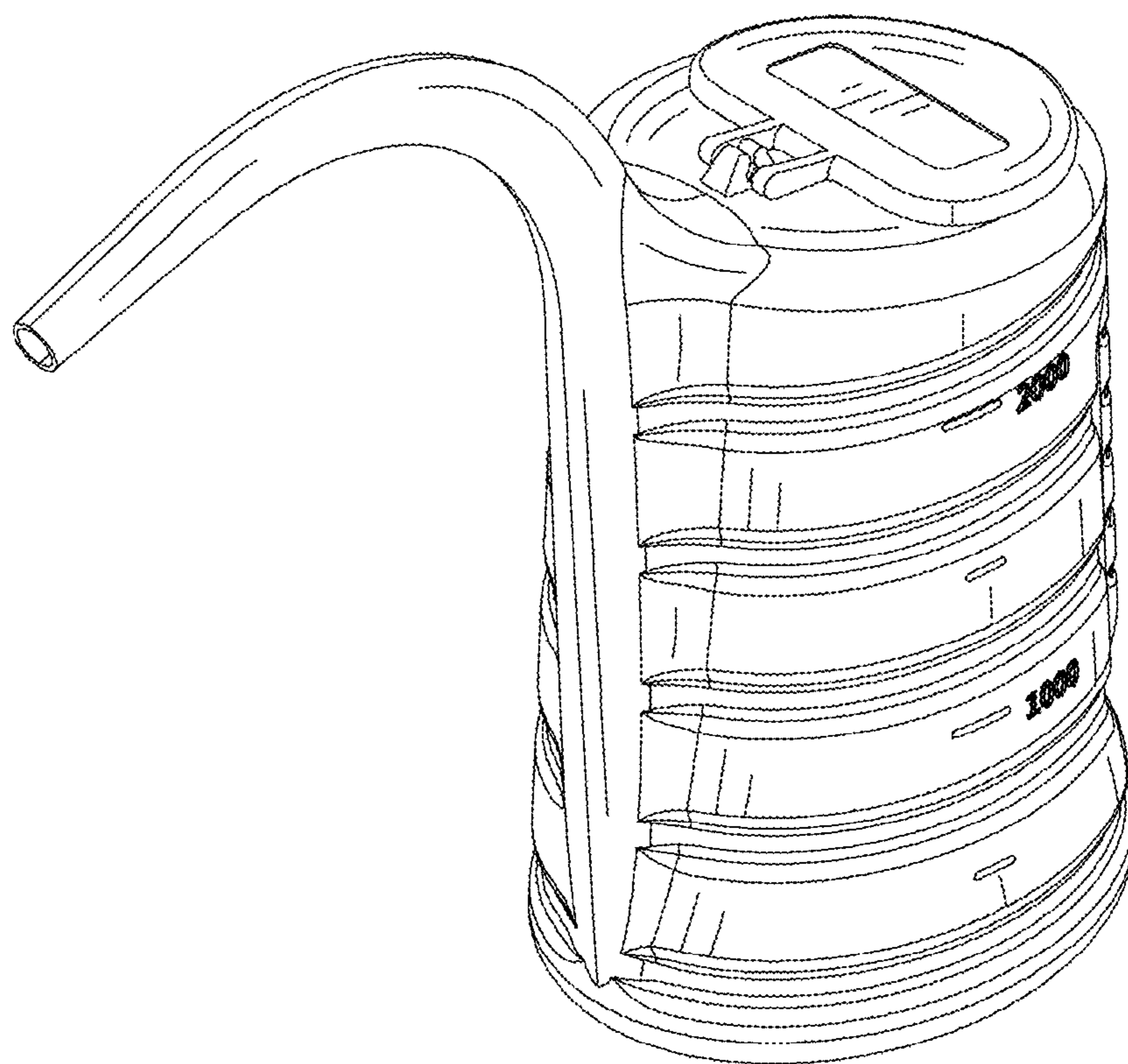


Fig. 8