



US00D757889S

(12) **United States Design Patent**  
**Meyer**

(10) **Patent No.:** **US D757,889 S**

(45) **Date of Patent:** **\*\* May 31, 2016**

(54) **SEPTIC RECEIVING STATION WITH SCREEN**

(71) Applicant: **Scott Meyer**, Genesee, ID (US)

(72) Inventor: **Scott Meyer**, Genesee, ID (US)

(\*\*) Term: **14 Years**

(21) Appl. No.: **29/518,390**

(22) Filed: **Feb. 23, 2015**

(51) **LOC (10) CI.** ..... **23-01**

(52) **U.S. CI.**  
USPC ..... **D23/207**

(58) **Field of Classification Search**  
USPC ..... D23/207, 209, 200; 210/170.03,  
210/170.08, 499, 747.3, 747.2, 747.4, 163,  
210/164

See application file for complete search history.

(56) **References Cited**

**U.S. PATENT DOCUMENTS**

3,422,010	A *	1/1969	Case	.....	C02F 1/5236 210/170.08
4,319,998	A *	3/1982	Anderson	.....	C02F 3/006 210/170.08
4,886,605	A *	12/1989	Herve	.....	E02F 11/00 210/170.08
5,330,651	A *	7/1994	Robertson	.....	C02F 3/046 210/170.03
5,575,925	A *	11/1996	Logue, Jr.	.....	E03F 5/14 210/164

6,200,470	B1 *	3/2001	Romero	.....	B01D 21/0006 210/170.06
6,294,095	B1 *	9/2001	Lewis	.....	E03F 5/0404 210/164
6,337,025	B1 *	1/2002	Clemenson	.....	B01J 20/22 210/163
8,640,387	B2 *	2/2014	Harrison	.....	E03B 3/03 137/1

\* cited by examiner

*Primary Examiner* — Robin V Webster

(74) *Attorney, Agent, or Firm* — Timberline Patent Law Group PLLC; Mark Farrell

(57) **CLAIM**

The ornamental design for a septic receiving station with screen, as shown and described.

**DESCRIPTION**

FIG. 1 is an isometric top right-side view of a septic receiving station with screen.

FIG. 2 is a front view of a septic receiving station with screen.

FIG. 3 is a back view of a septic receiving station with screen.

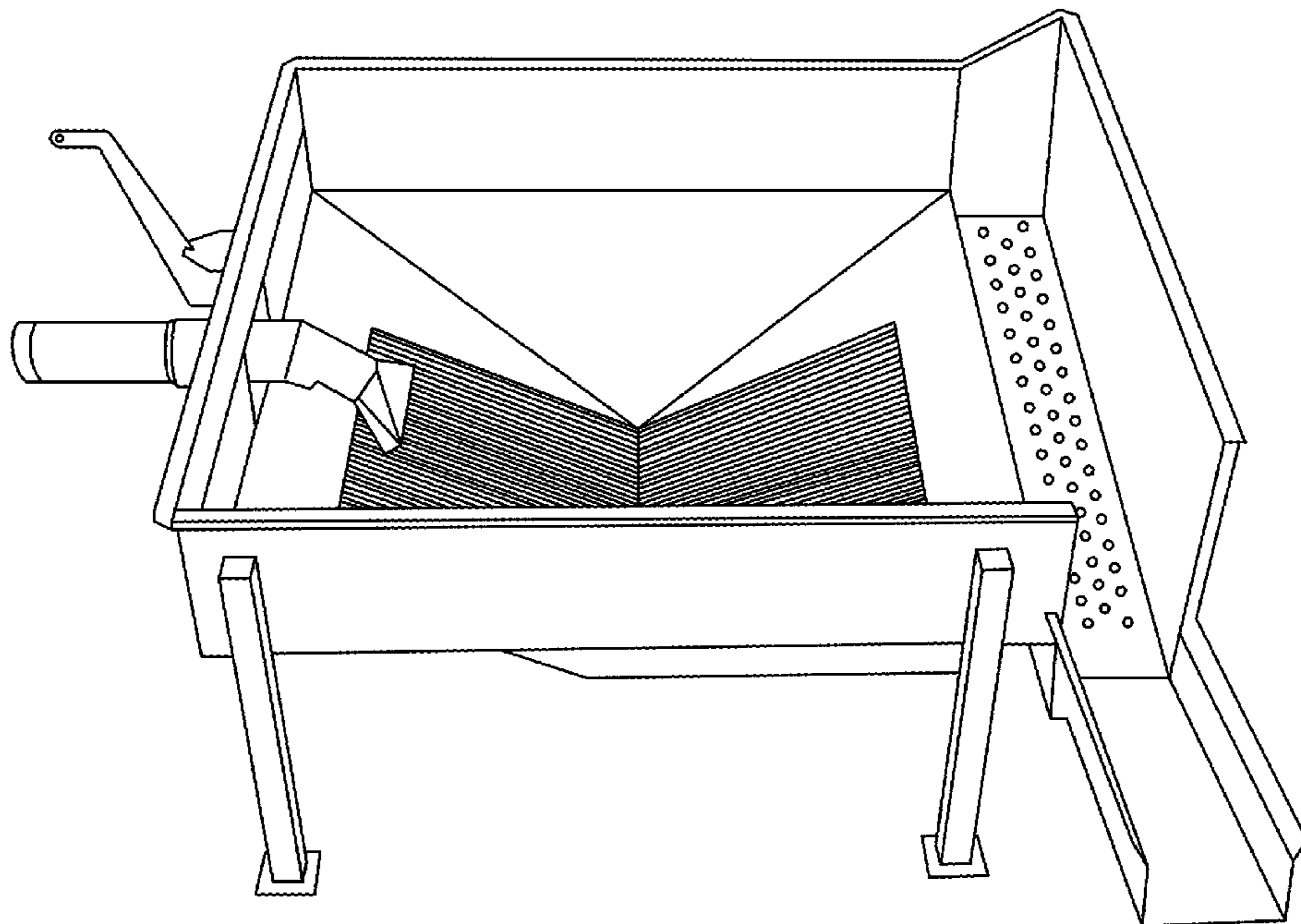
FIG. 4 is a right-side view of a septic receiving station with screen.

FIG. 5 is a left-side view of a septic receiving station with screen.

FIG. 6 is a top view of a septic receiving station with screen; and,

FIG. 7 is a bottom view of a septic receiving station with screen.

**1 Claim, 7 Drawing Sheets**



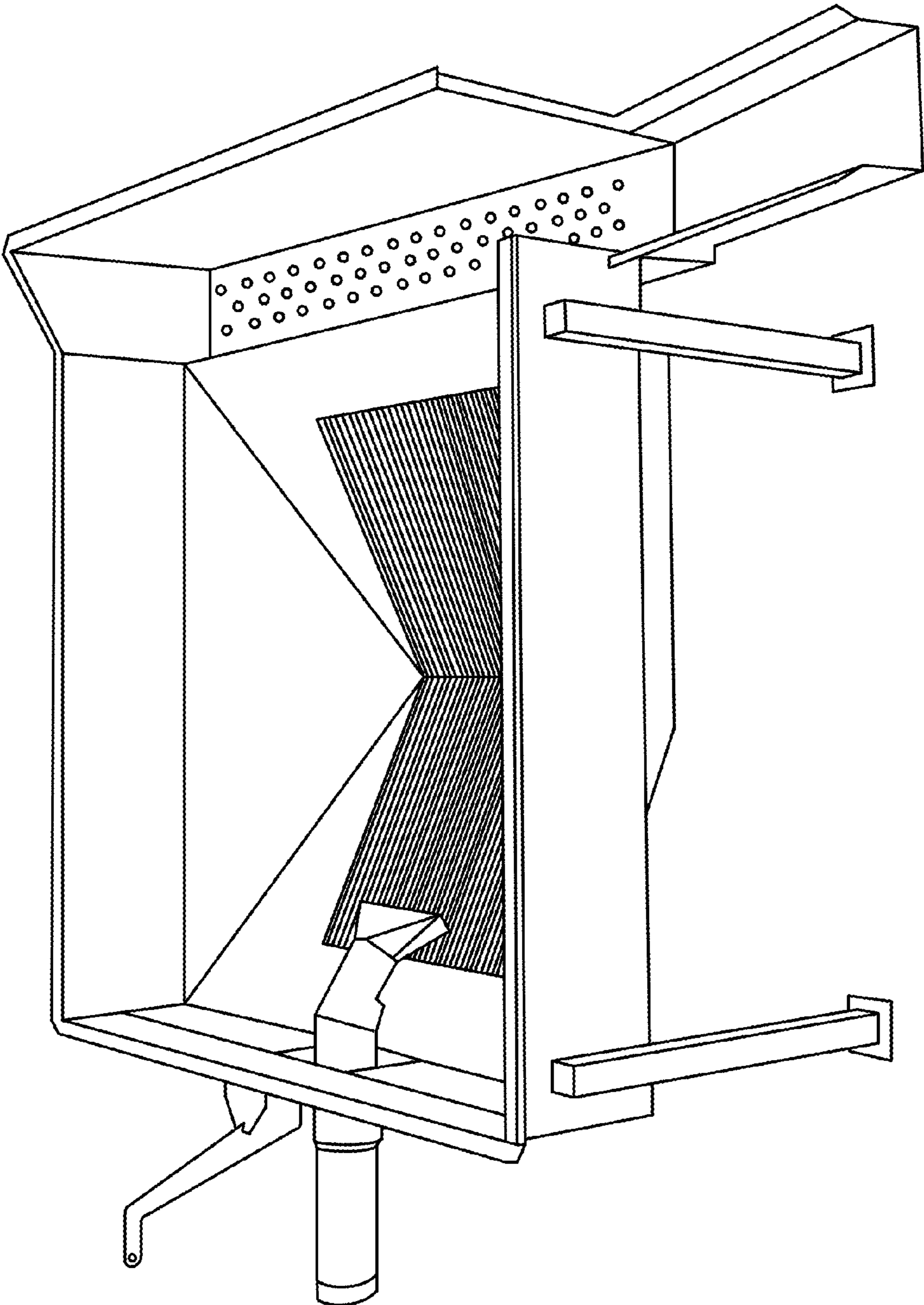


FIG. 1

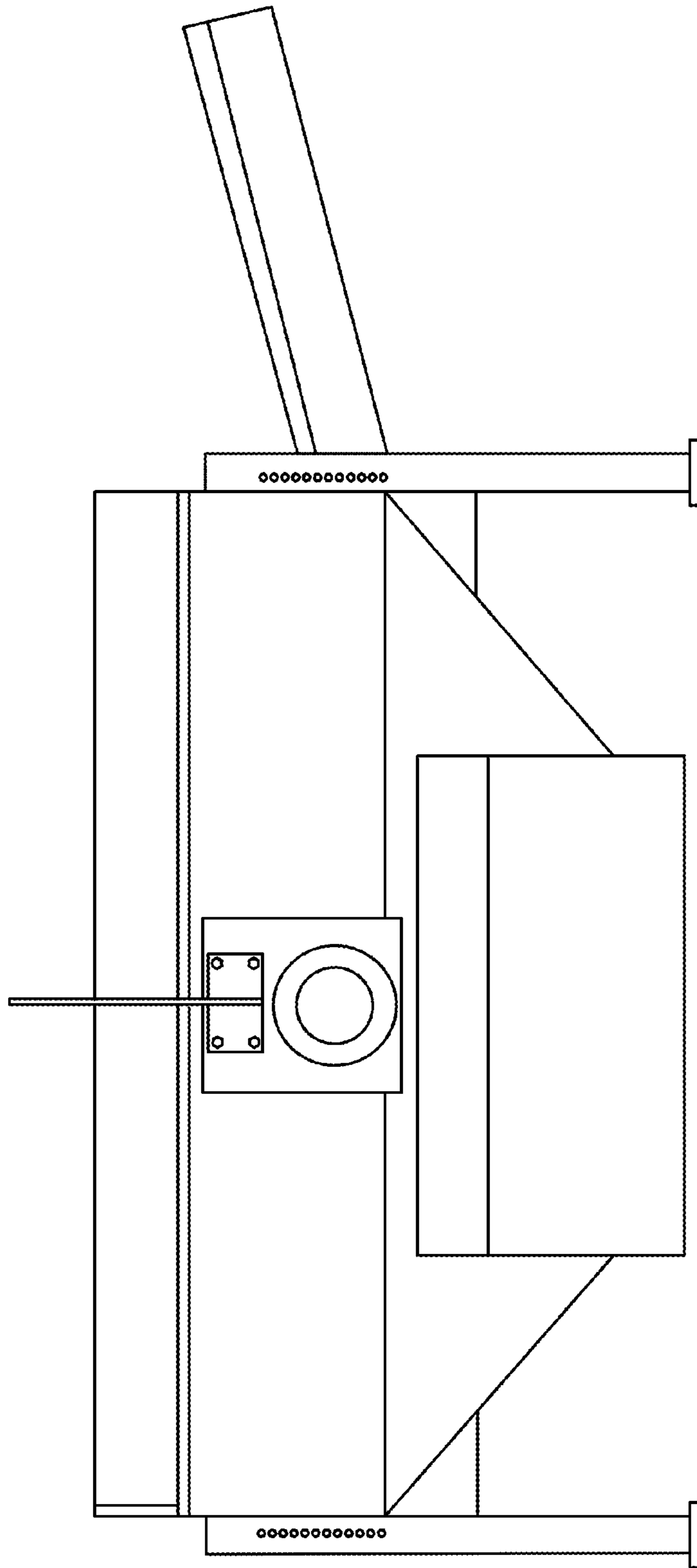


FIG. 2

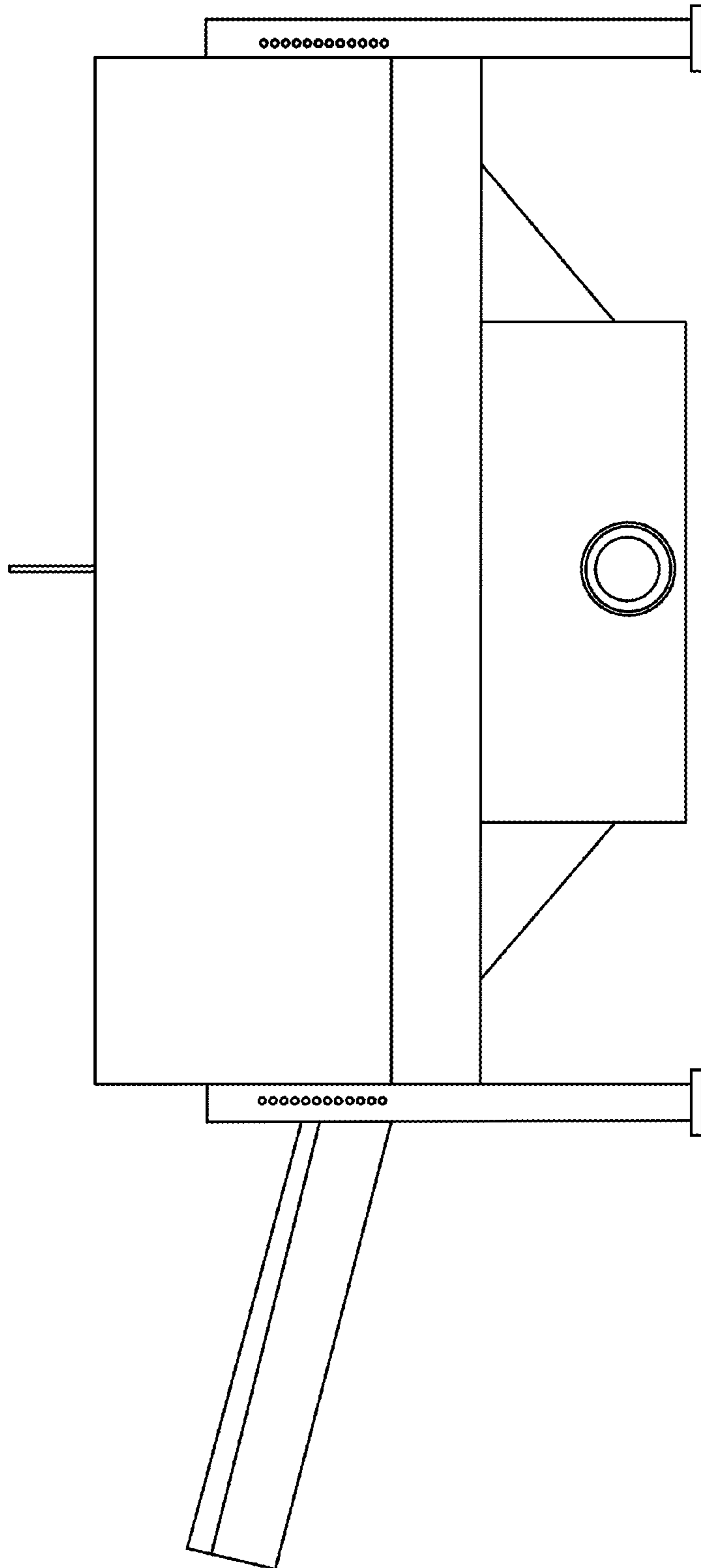


FIG. 3

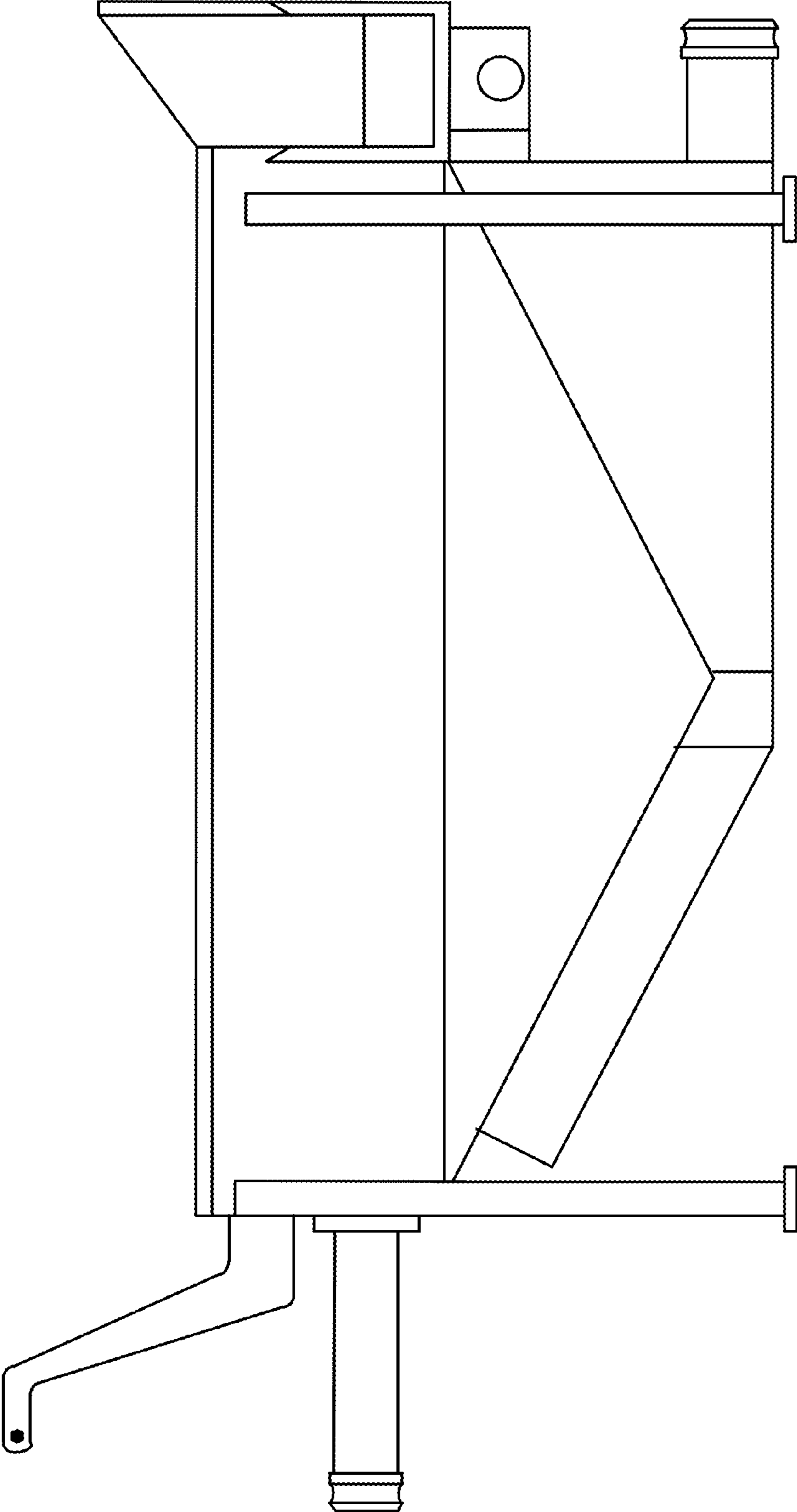


FIG. 4

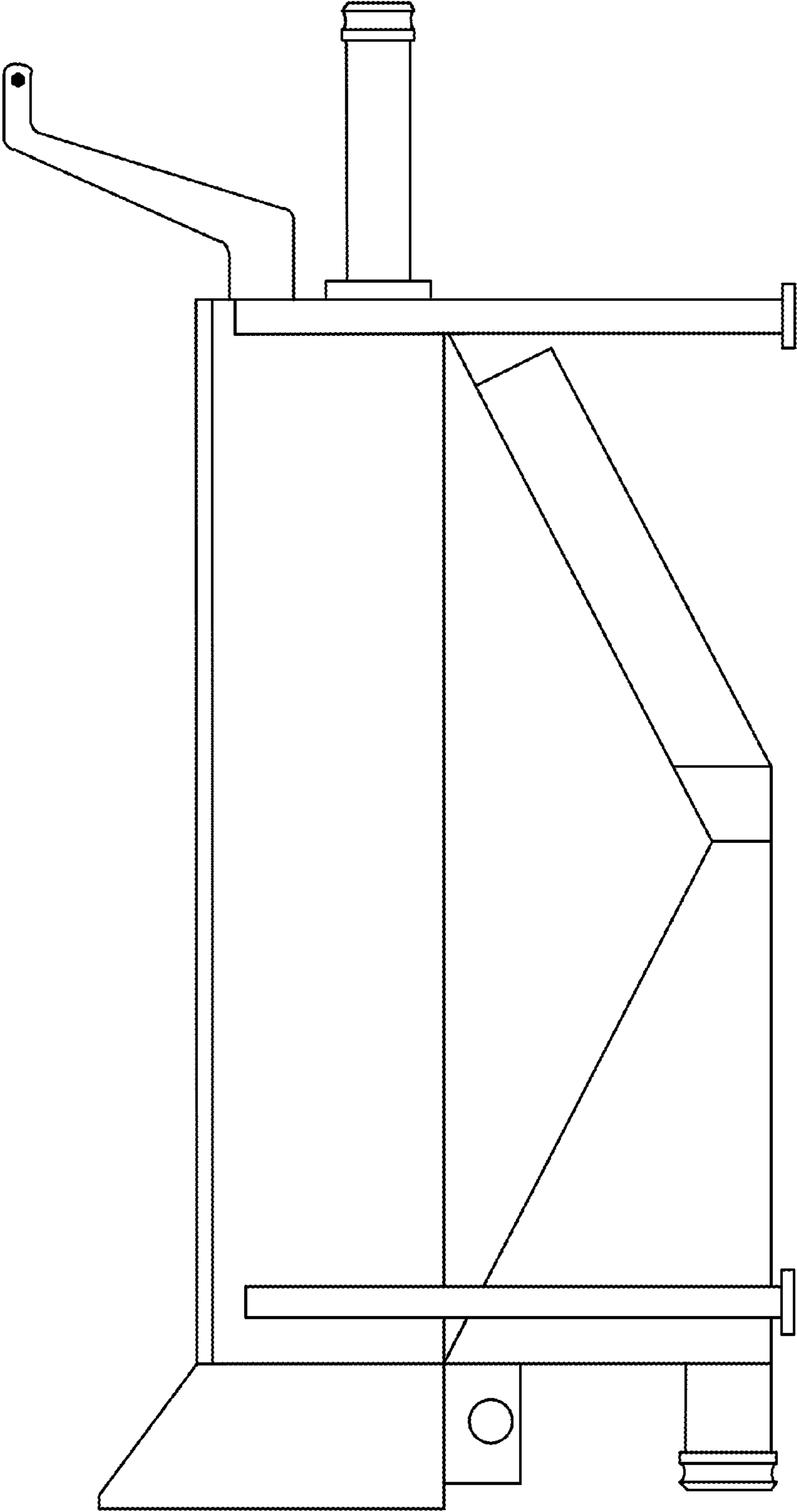


FIG. 5

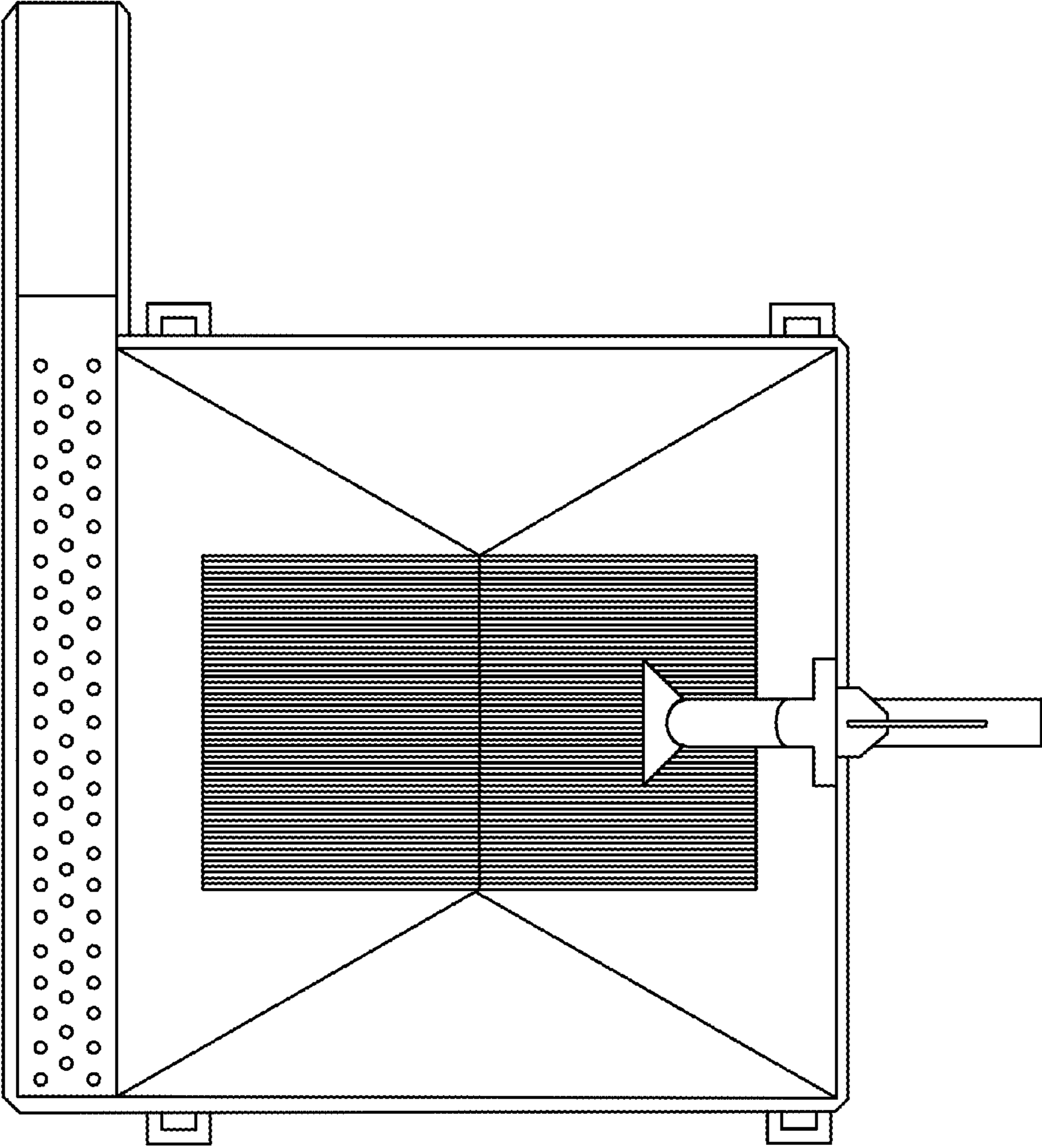


FIG. 6



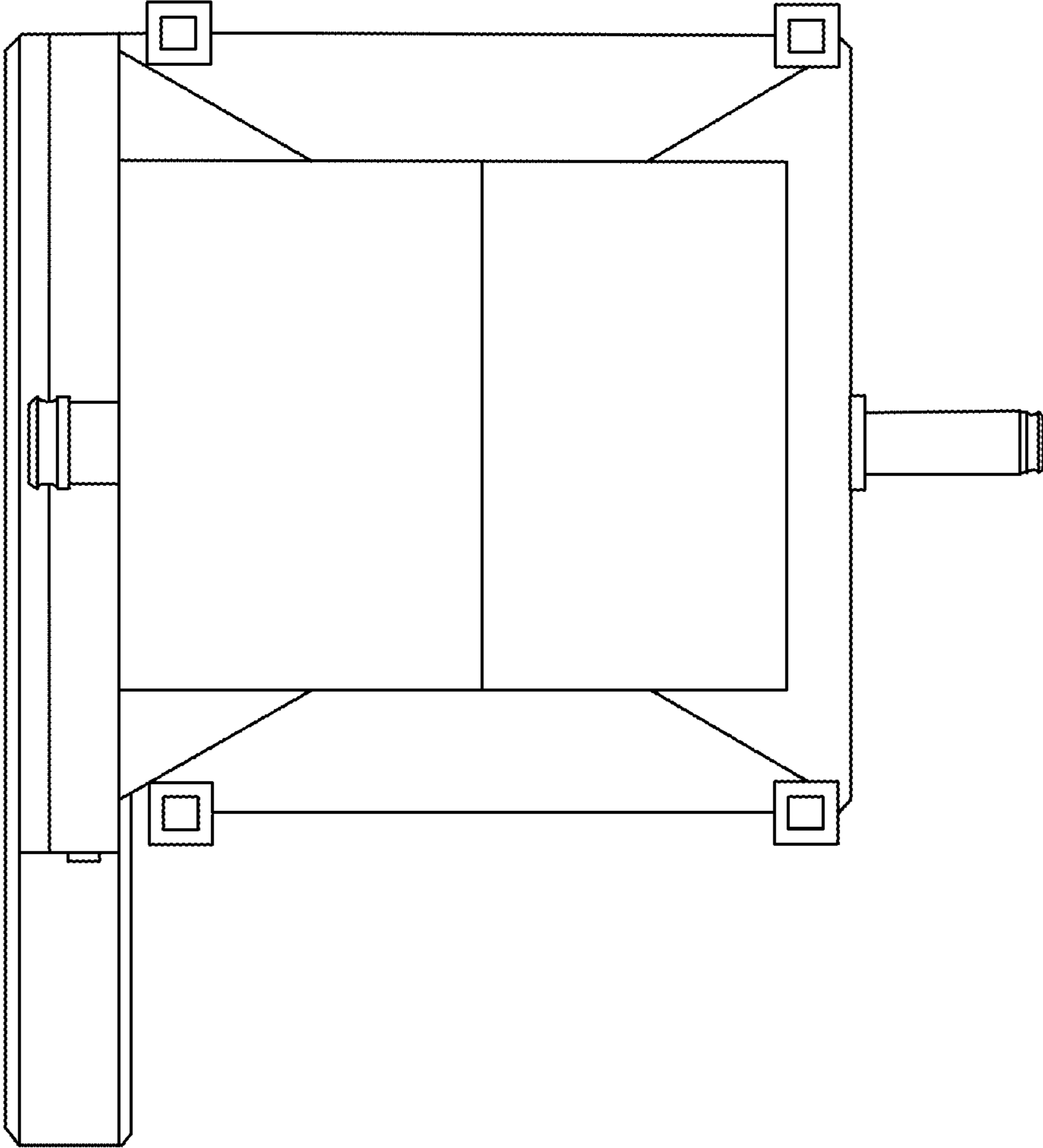


FIG. 7