



US00D757887S

(12) **United States Design Patent**  
**Evans**

(10) **Patent No.:** **US D757,887 S**

(45) **Date of Patent:** **\*\* May 31, 2016**

(54) **TRAP FOR FLYING INSECTS PESTS**

D654,979 S \* 2/2012 Smith ..... D22/120  
D694,356 S \* 11/2013 Pray ..... D22/122  
D701,285 S \* 3/2014 Chapin ..... D22/122  
D733,253 S \* 6/2015 Oehlschlager ..... D22/122

(71) Applicant: **Donald L. Evans**, Madison, WI (US)

(72) Inventor: **Donald L. Evans**, Madison, WI (US)

\* cited by examiner

(\*\*) Term: **14 Years**

*Primary Examiner* — Catheri Oliver-Garcia

(21) Appl. No.: **29/474,430**

(74) *Attorney, Agent, or Firm* — George W. Wasson

(22) Filed: **Sep. 18, 2014**

(57) **CLAIM**

The ornamental design for a trap for flying insect pests, as shown and described.

(51) **LOC (10) Cl.** ..... **22-06**

(52) **U.S. Cl.**  
USPC ..... **D22/122**

**DESCRIPTION**

(58) **Field of Classification Search**  
USPC ..... D22/119-124; 43/121-122, 124, 131,  
43/132.1, 112-113  
CPC ..... A01M 1/02; A01M 1/106  
See application file for complete search history.

FIG. 1 is an exploded front elevation view of the trap for flying insect pests showing the new design;  
FIG. 2 is an exploded rear elevation view thereof, opposite the side shown in FIG. 1;  
FIG. 3 is an exploded side elevation view thereof, with the opposite side being identical;  
FIG. 4 is an exploded top plan view thereof;  
FIG. 5 is an exploded bottom plan view thereof;  
FIG. 6 is an exploded isometric view thereof; and,  
FIG. 7 is a sectional view shown along line 7-7 of FIG. 4.

(56) **References Cited**

U.S. PATENT DOCUMENTS

1,289,466 A \* 12/1918 Hasselgren ..... 43/122  
1,387,716 A \* 8/1921 Hofley ..... A01M 1/02  
43/122  
D561,297 S \* 2/2008 Schneidmiller ..... D22/122

**1 Claim, 7 Drawing Sheets**

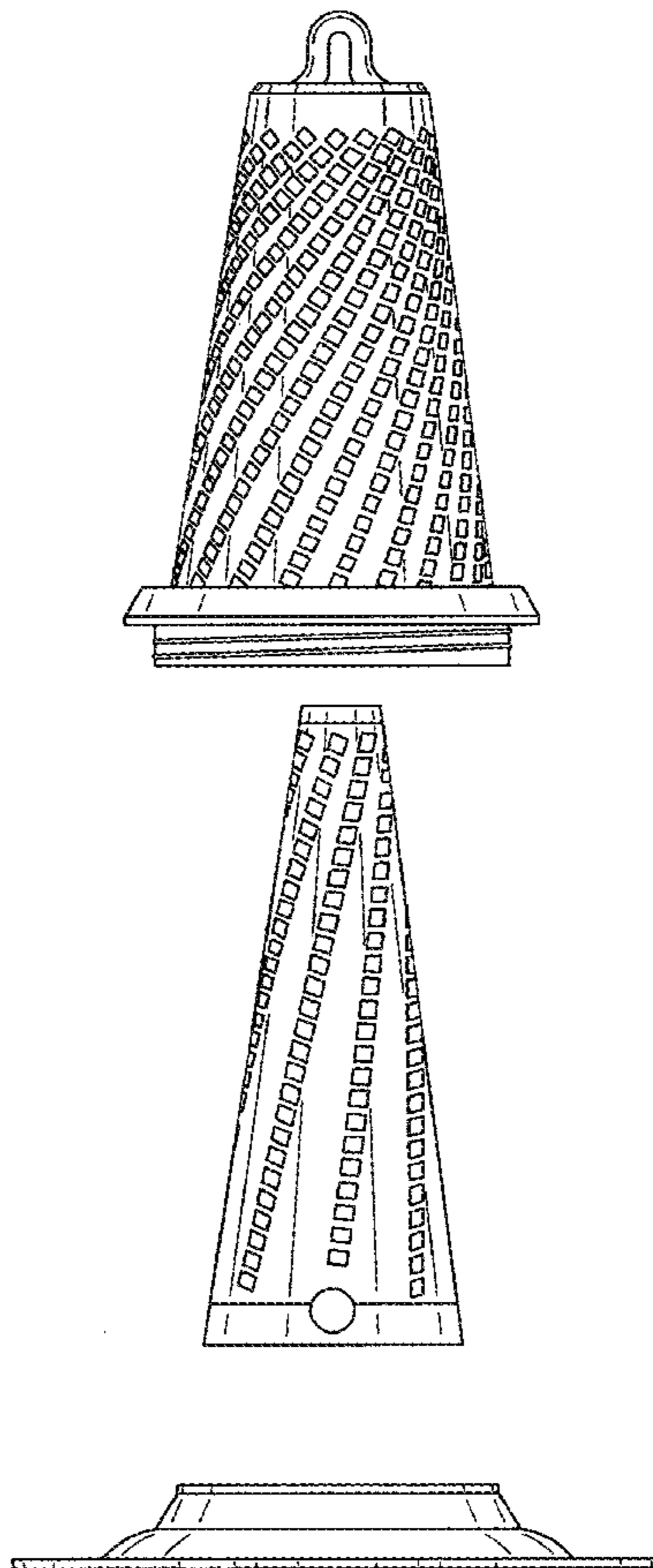


FIG. 1

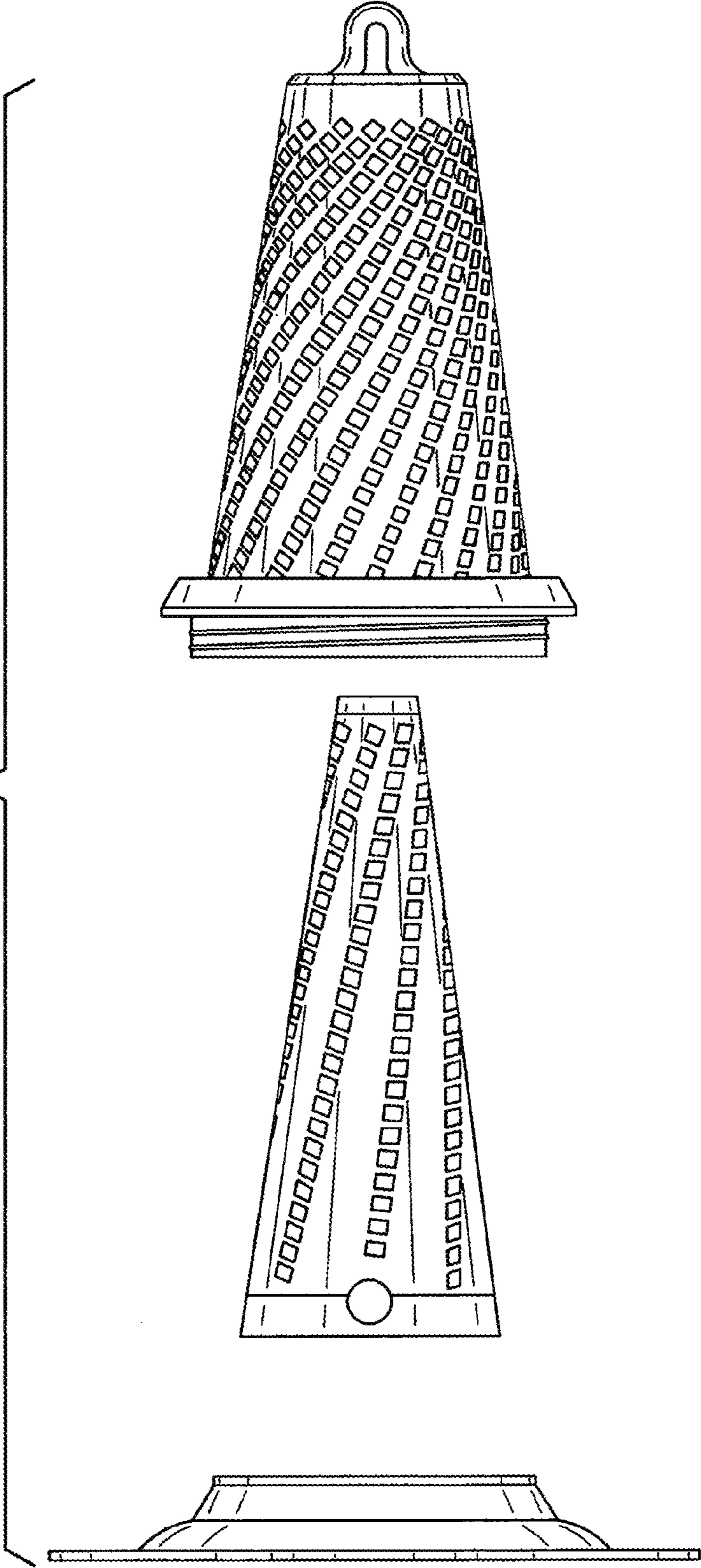
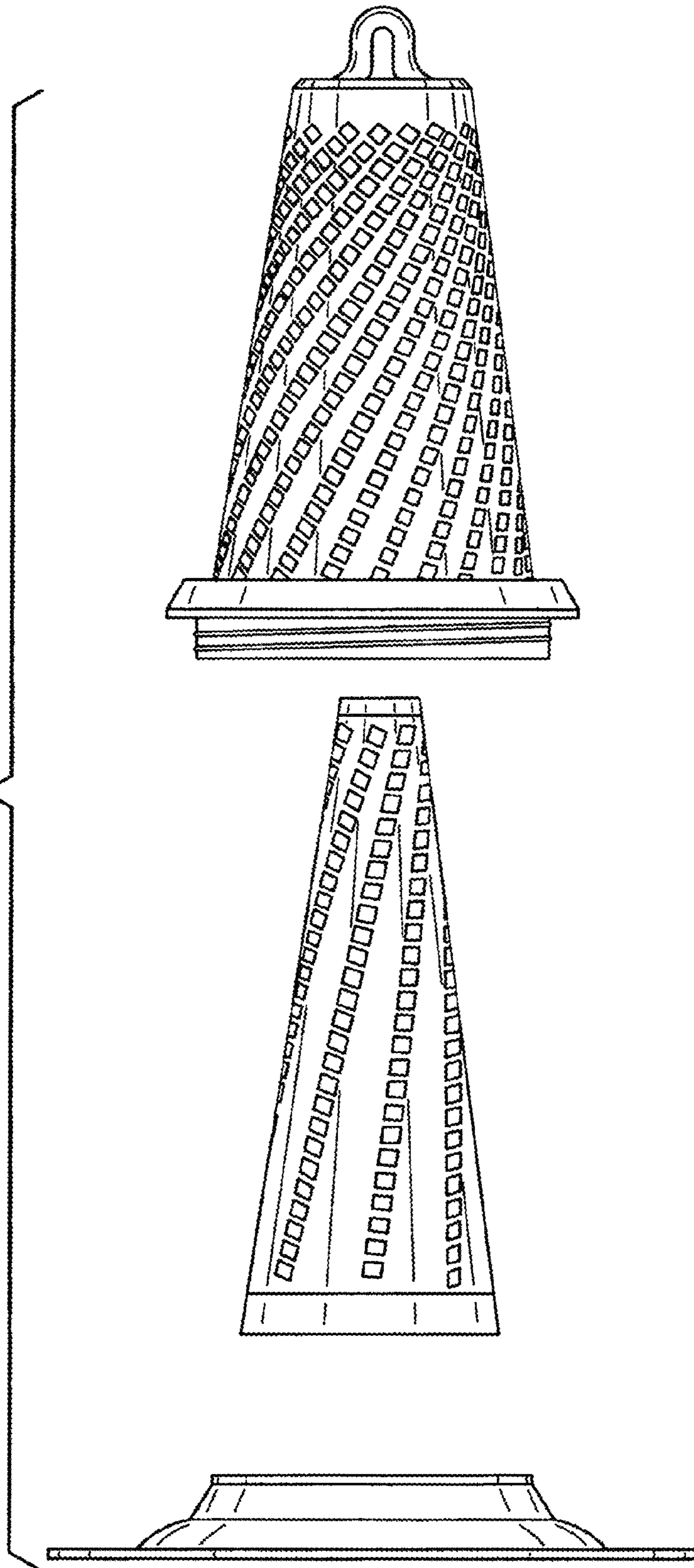


FIG. 2



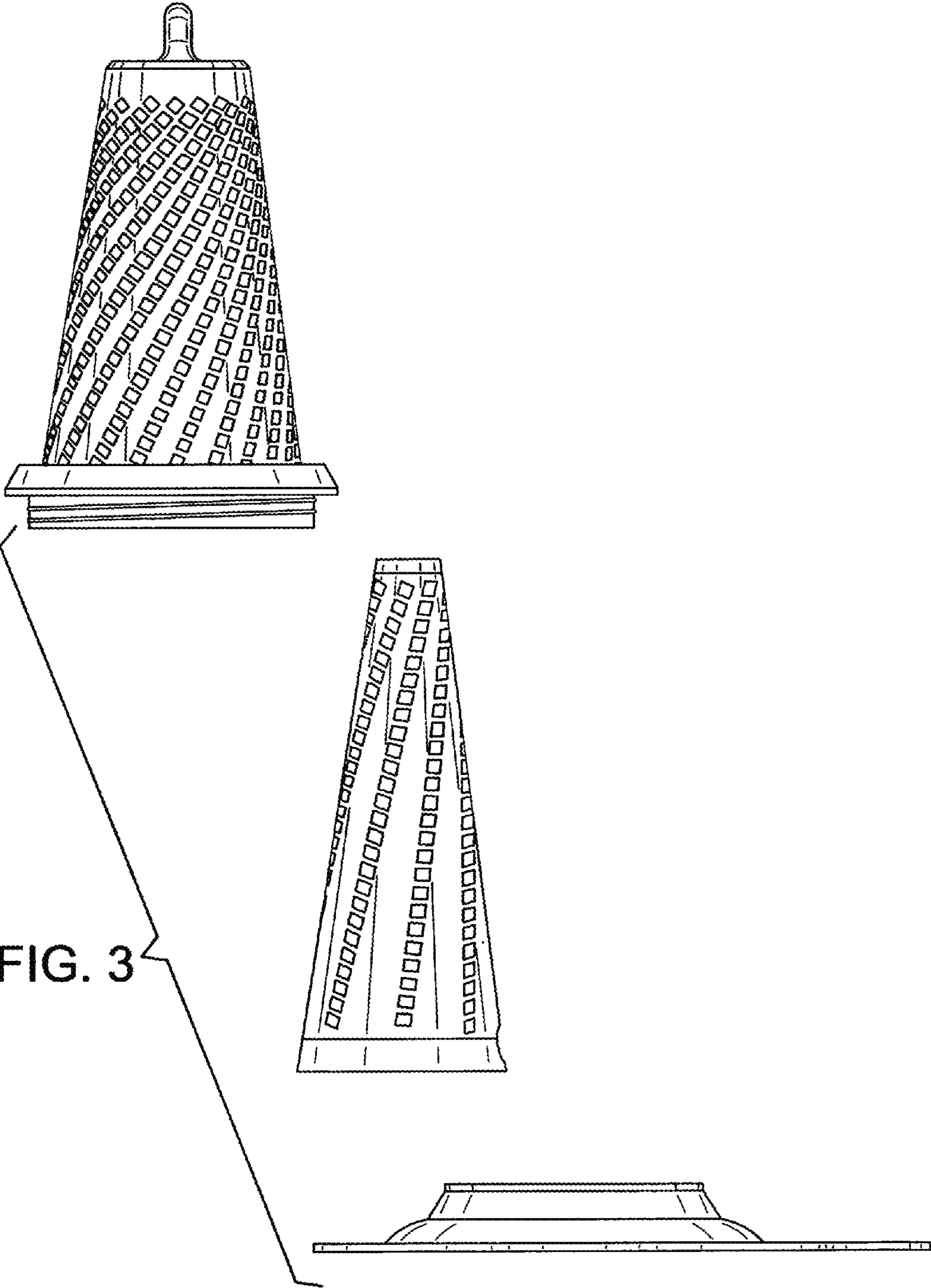


FIG. 3

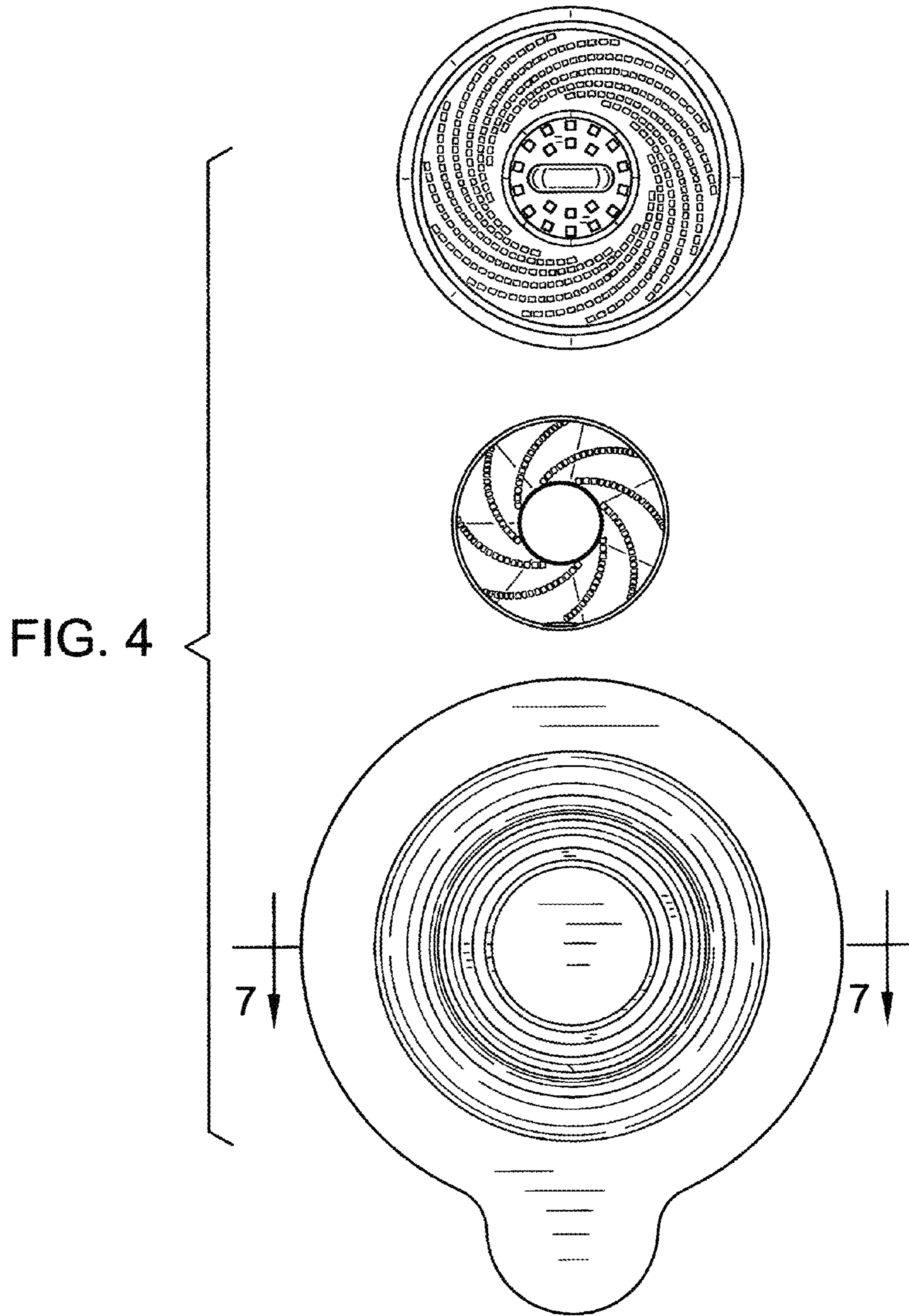


FIG. 5

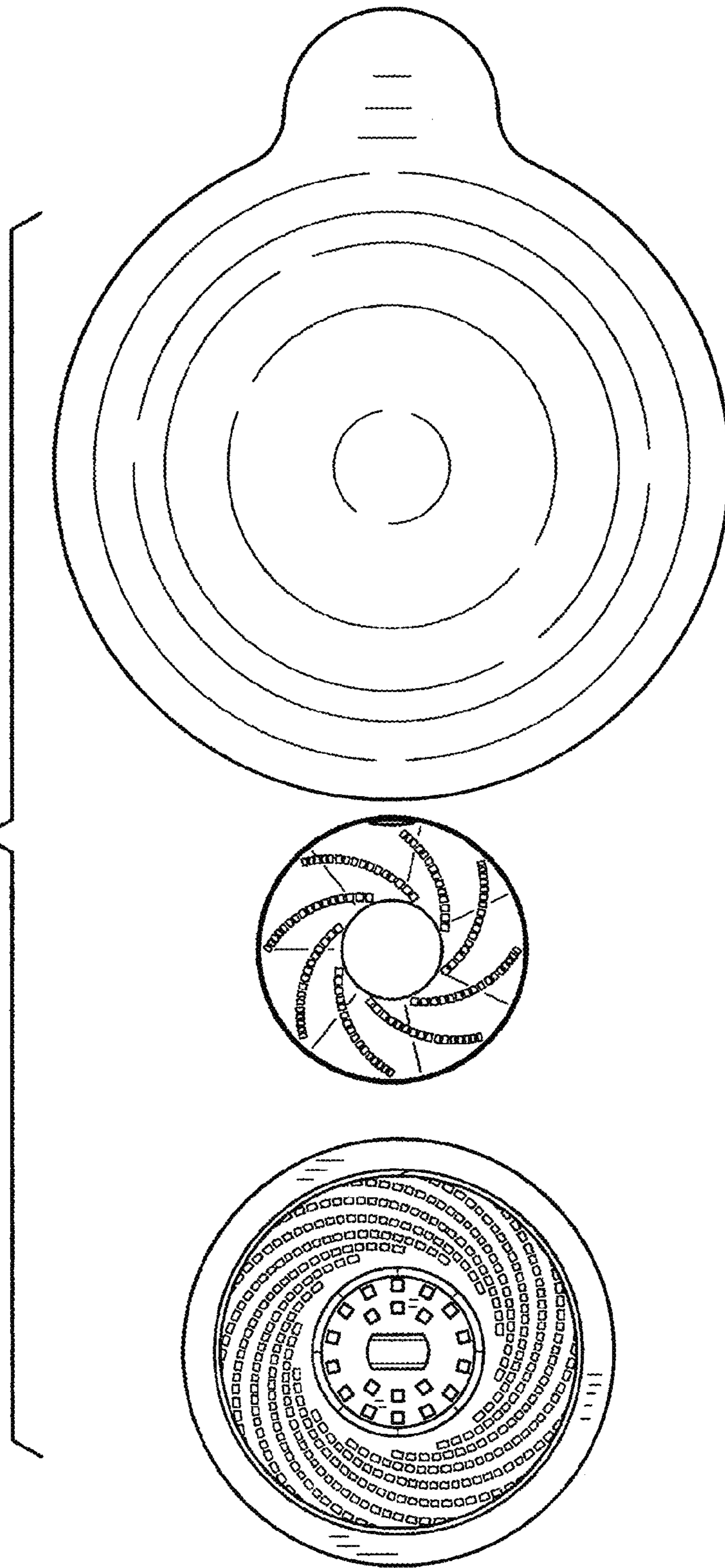
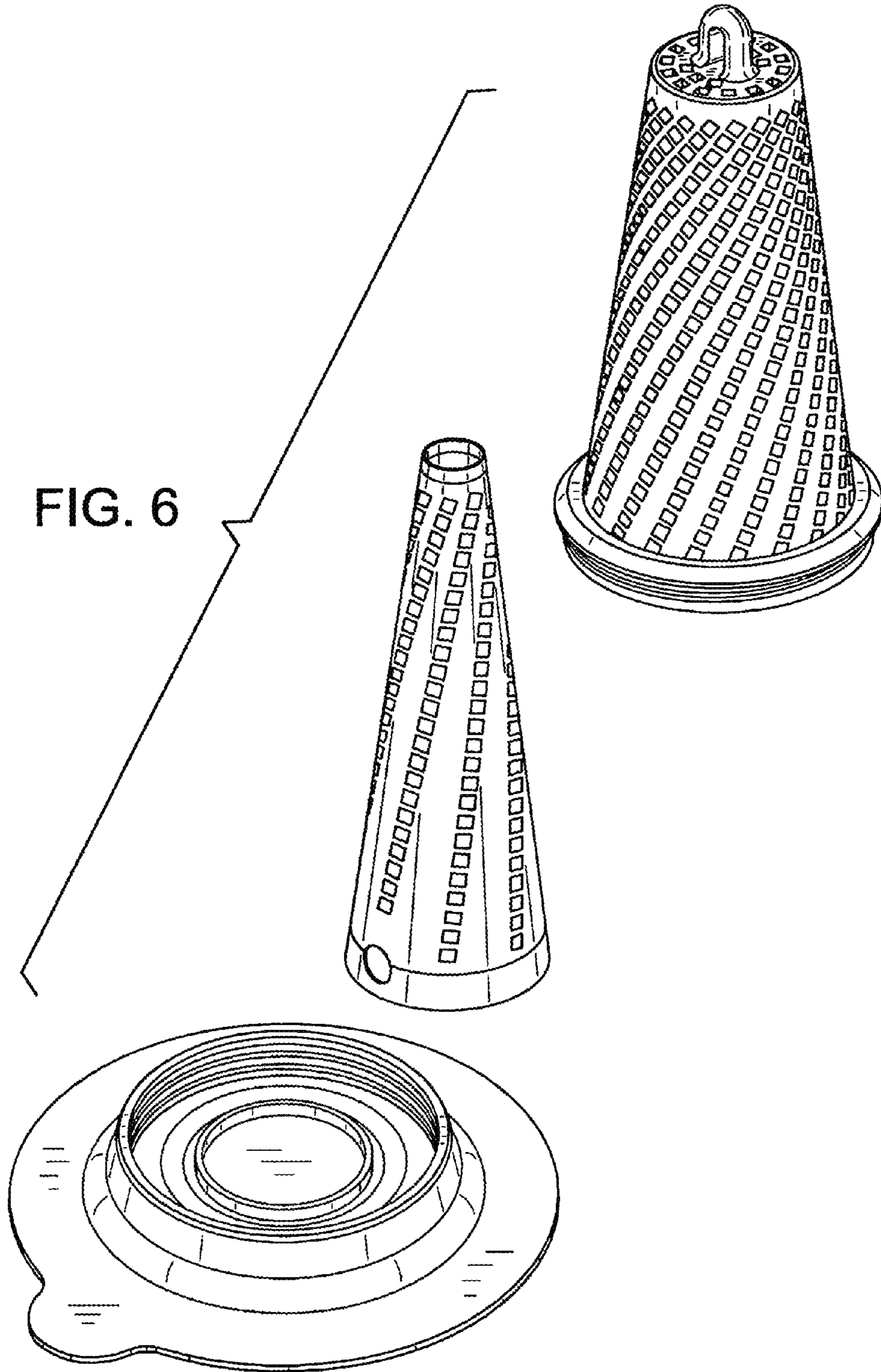


FIG. 6



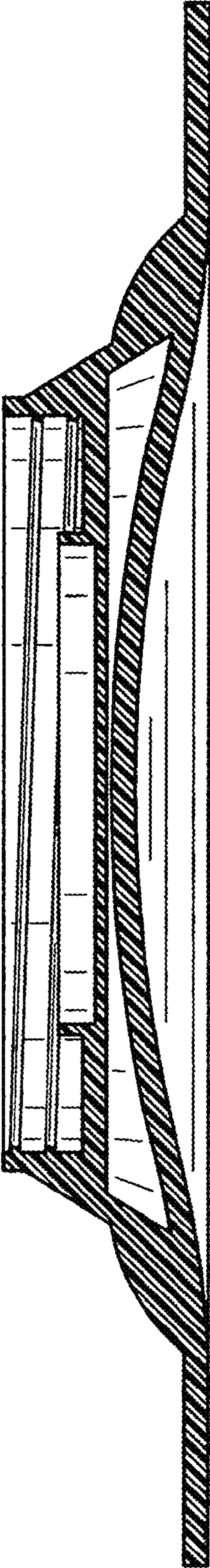


FIG. 7