



US00D757886S

(12) **United States Design Patent**
Cheng et al.

(10) **Patent No.:** **US D757,886 S**

(45) **Date of Patent:** **** May 31, 2016**

(54) **SIGHT MODULE**

(71) Applicants: **Carson Cheng**, City of Industry, CA (US); **Jason Michael Cheng**, City of Industry, CA (US)

(72) Inventors: **Carson Cheng**, City of Industry, CA (US); **Jason Michael Cheng**, City of Industry, CA (US)

(73) Assignee: **NCSTAR, Inc.**, City of Industry, CA (US)

(**) Term: **14 Years**

(21) Appl. No.: **29/503,434**

(22) Filed: **Sep. 25, 2014**

(51) **LOC (10) Cl.** **22-01**

(52) **U.S. Cl.**
USPC **D22/109**

(58) **Field of Classification Search**
USPC D22/108–109
CPC F41G 11/003; F41G 1/00; F41G 1/16;
F41G 1/345

See application file for complete search history.

(56) **References Cited**

U.S. PATENT DOCUMENTS

D427,275	S *	6/2000	Gilmore	D16/130
D515,118	S *	2/2006	Larsson	D16/132
D676,096	S *	2/2013	Gambino	D22/109
8,567,105	B1 *	10/2013	Bobro	F41G 11/003 42/127
D710,967	S *	8/2014	Cheng	D22/109
D732,134	S *	6/2015	Wells	D22/108
D732,633	S *	6/2015	Cheng	D22/109
D741,446	S *	10/2015	Cheng	D22/109
2014/0047755	A1 *	2/2014	McClintock	F41C 27/00 42/90
2014/0237884	A1 *	8/2014	Koesler	F41G 1/30 42/119

2014/0305022	A1 *	10/2014	Chung	F41G 1/16 42/113
2015/0292837	A1 *	10/2015	Cheng	F41G 1/345 42/123
2015/0308787	A1 *	10/2015	Cheng	F41G 1/34 42/126

* cited by examiner

Primary Examiner — Michael A Pratt

(74) *Attorney, Agent, or Firm* — Raymond Y. Chan; David and Raymond Patent Firm

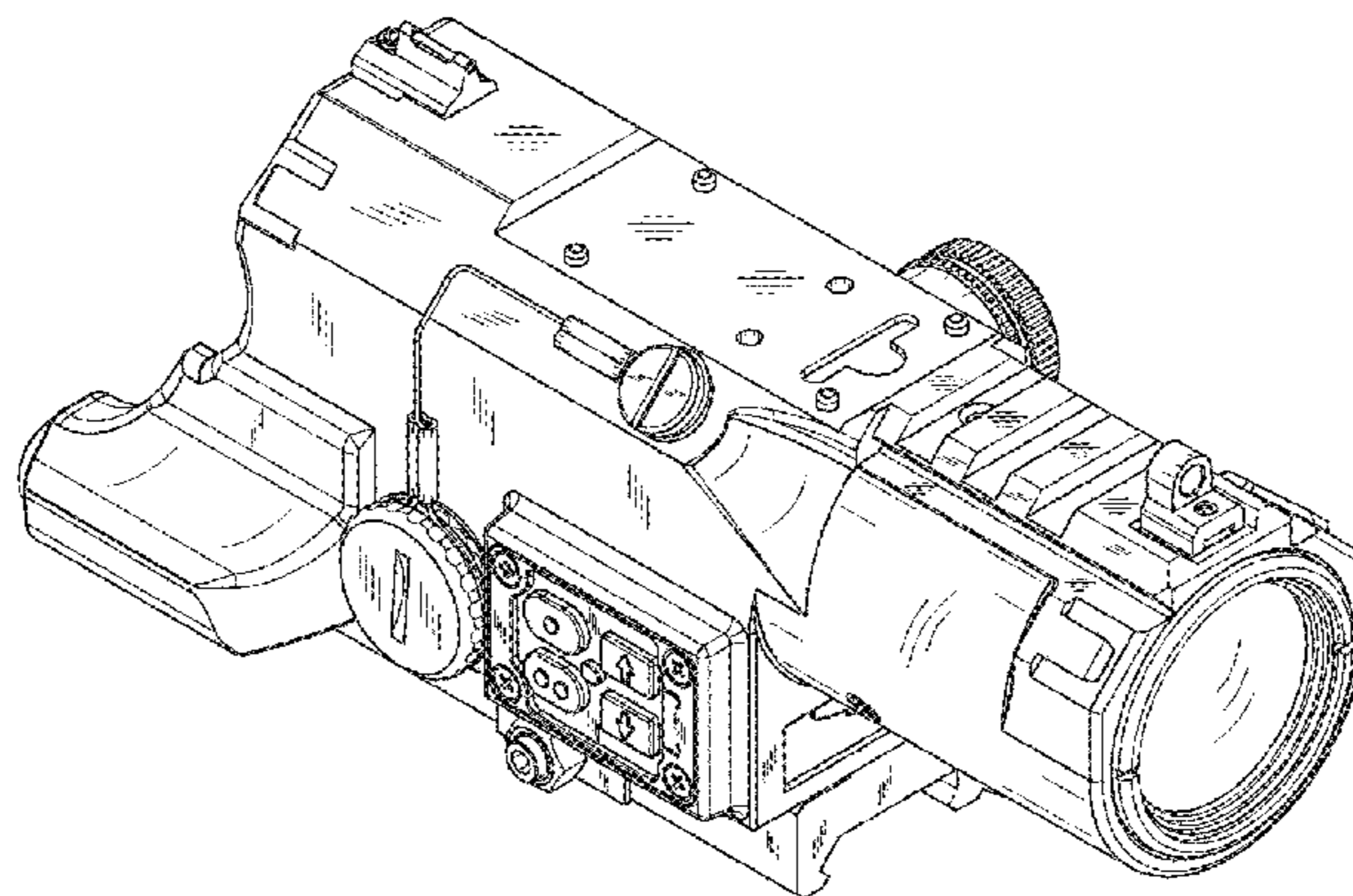
(57) **CLAIM**

The ornamental design for a sight module, as shown and described.

DESCRIPTION

FIG. 1 is a perspective view of a sight module showing my new design, illustrating a fiber optic sight and a ring-shaped sight element being mounted on top of two ends of the body. FIG. 2 is a front view of the sight module. FIG. 3 is a rear view of the sight module. FIG. 4 is a left view of the sight module. FIG. 5 is a right view of the sight module. FIG. 6 is a top view of the sight module. FIG. 7 is a bottom view of the sight module. FIG. 8 is a perspective view of the sight module, illustrating the ring-shaped sight element being detachably and selectively mounted to the body at different locations. FIG. 9 is a perspective view of the sight module, showing the reflex dot being detachably mounted to an end portion of the body. FIG. 10 is a perspective view of the sight module, showing the reflex dot being detachably mounted to a mid-portion of the body. FIG. 11 is a perspective view of the sight module, showing the sight module being detachably mounted to a firearm; and, FIG. 12 is a rear perspective view of the sight module, showing a blade-type sight element as a replacement of the fiber optic sight being detachably mounted to the body. The broken line portion of the figure drawings is included to show unclaimed subject matter only and forms no part of the claimed design.

1 Claim, 11 Drawing Sheets



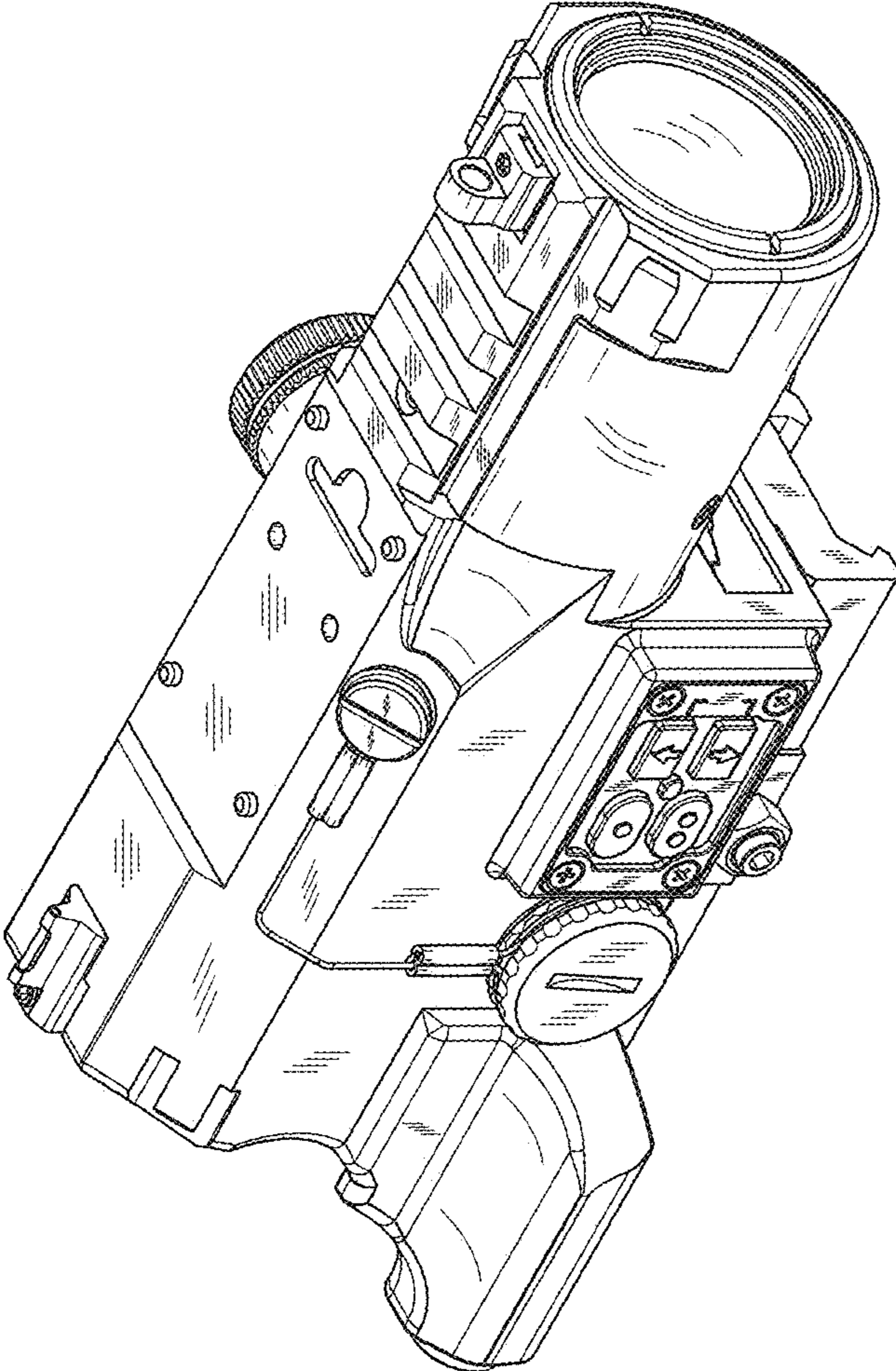


FIG.1

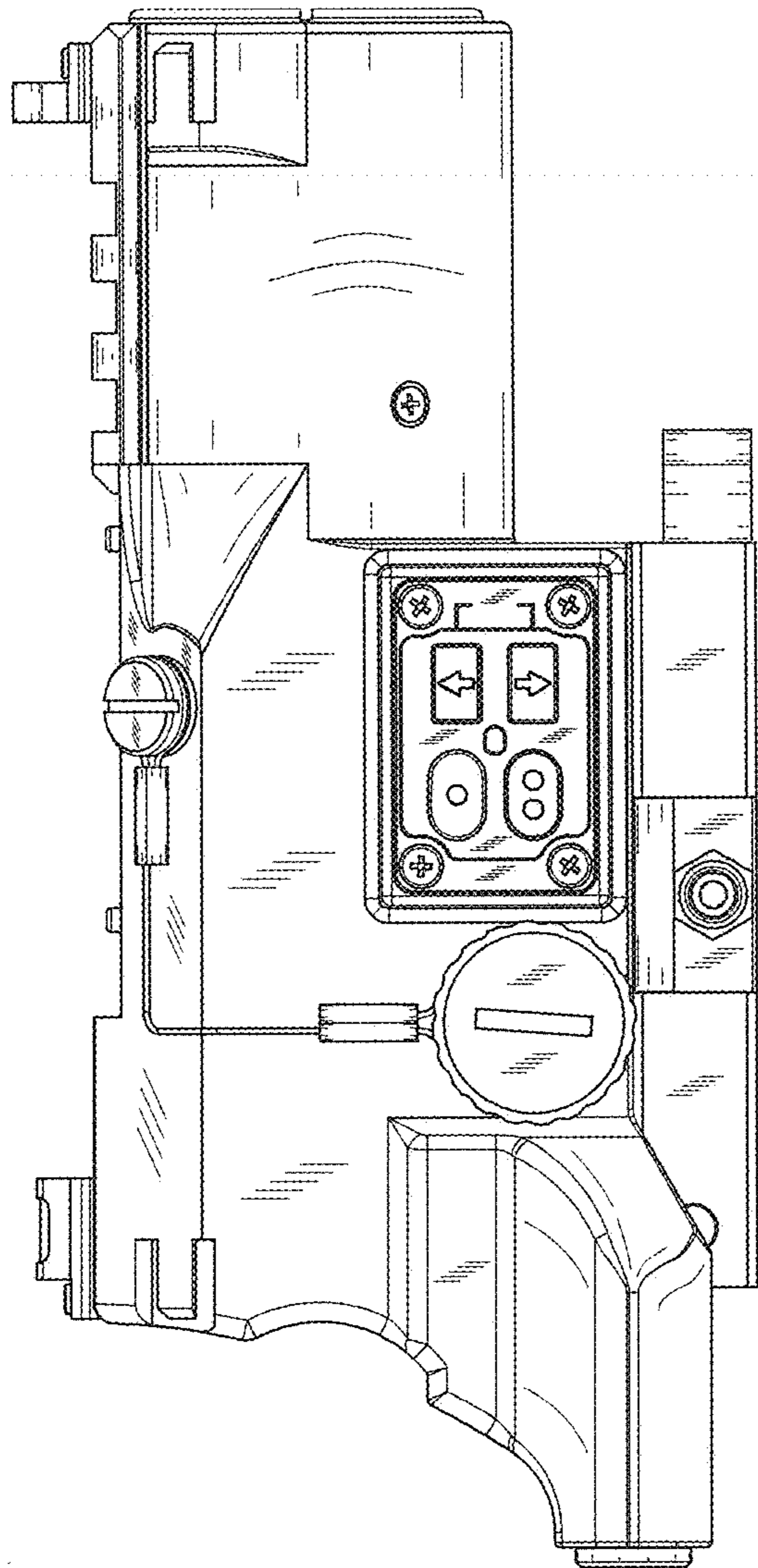


FIG.2

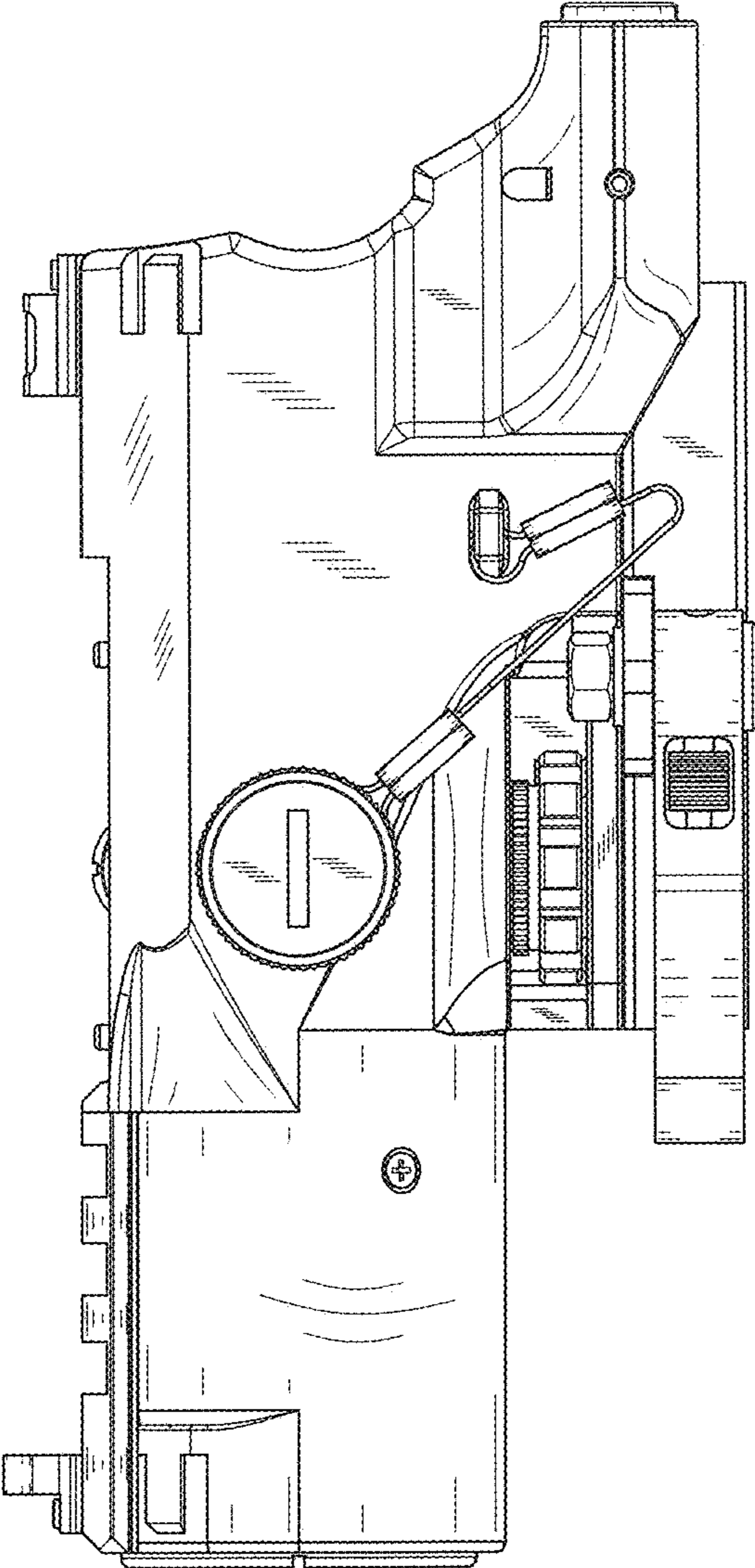


FIG.3

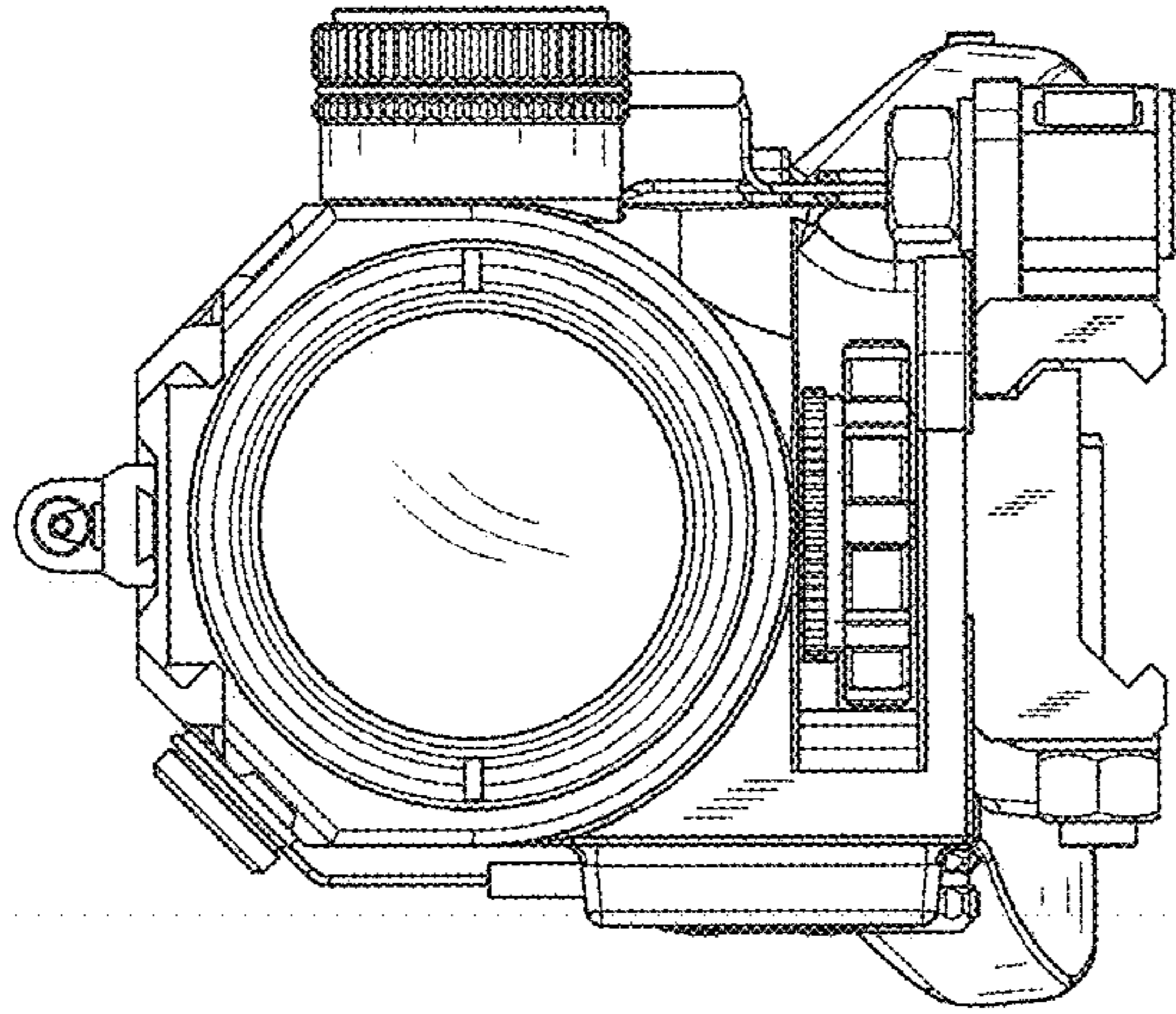


FIG.5

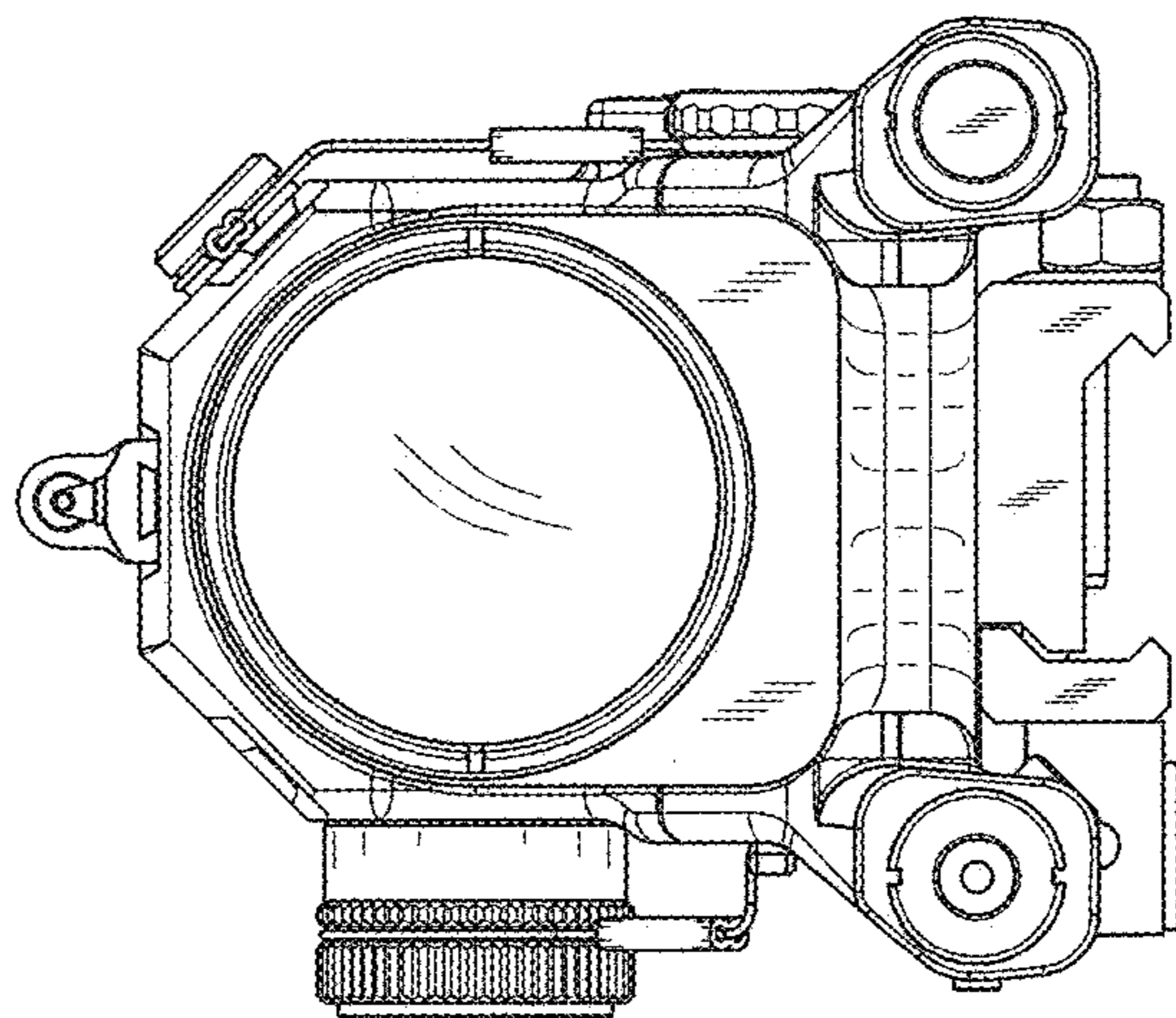


FIG.4

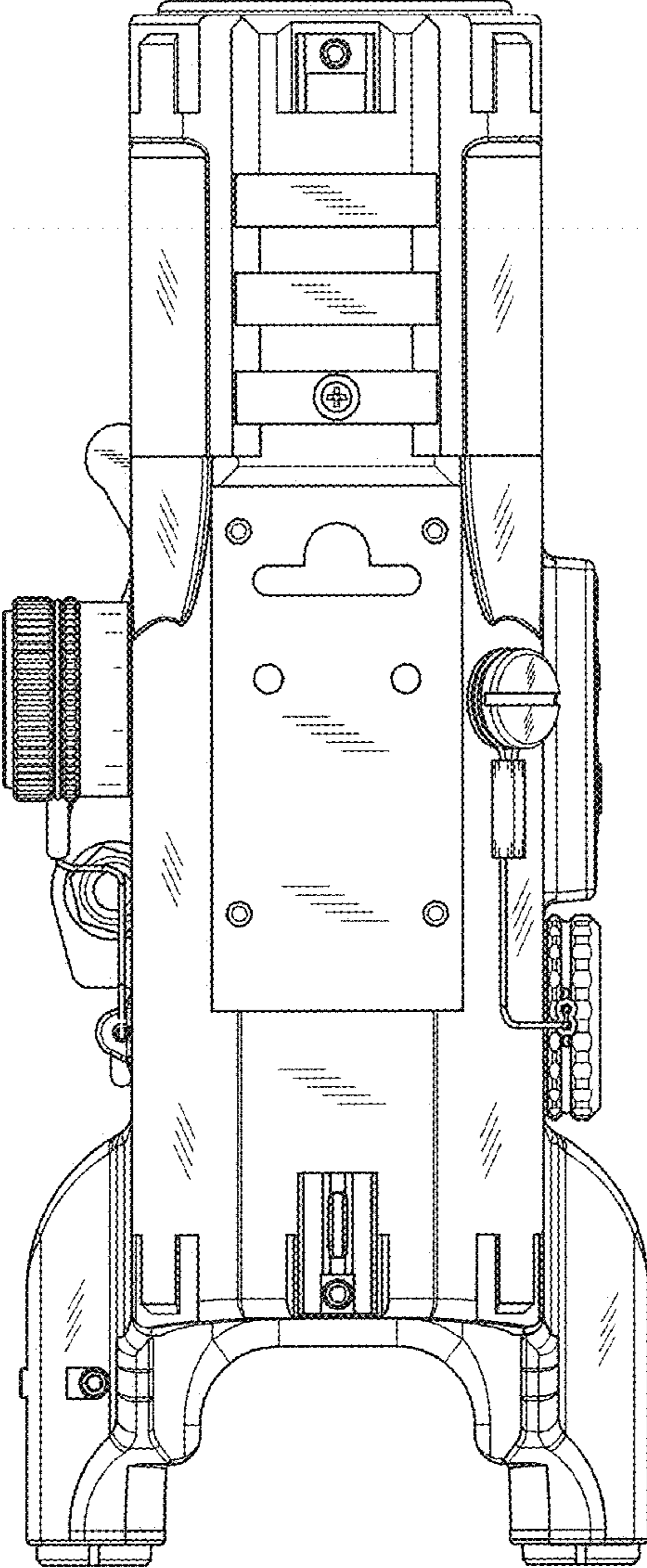


FIG.6

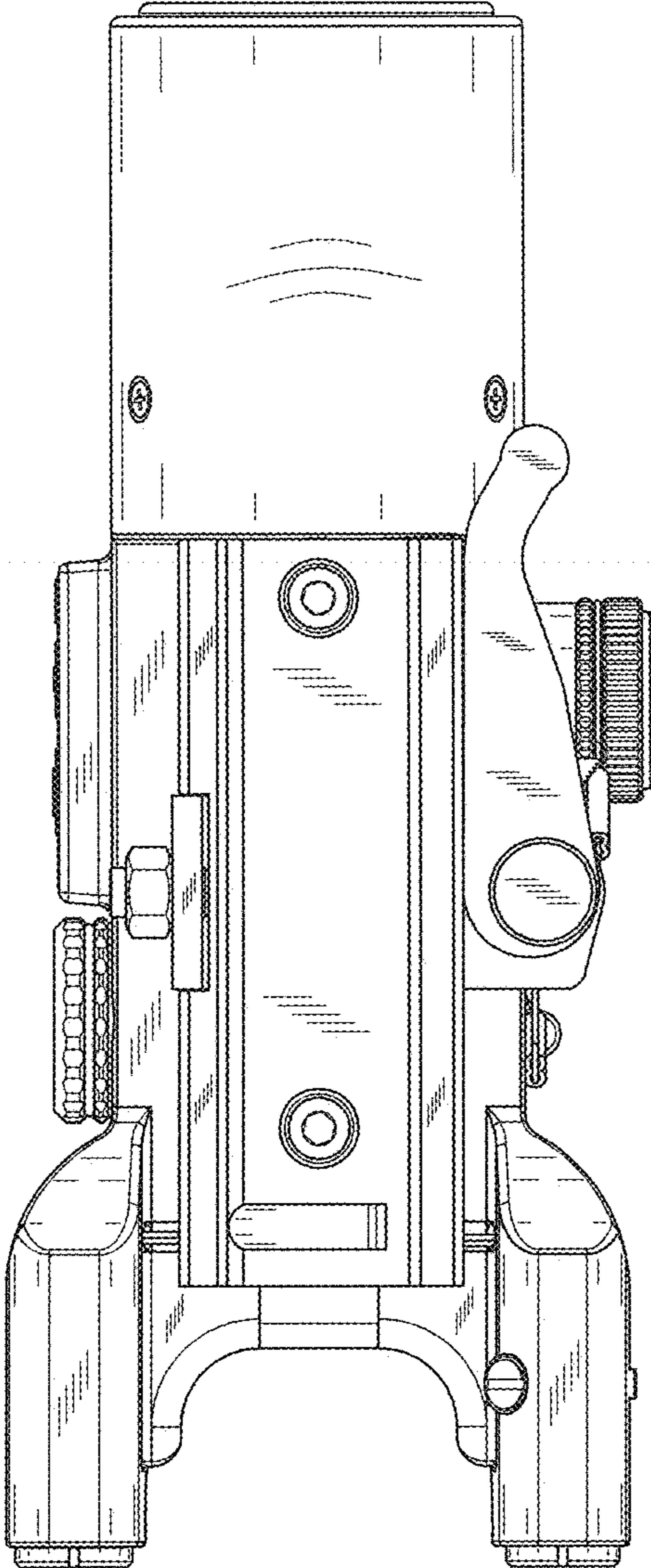


FIG. 7

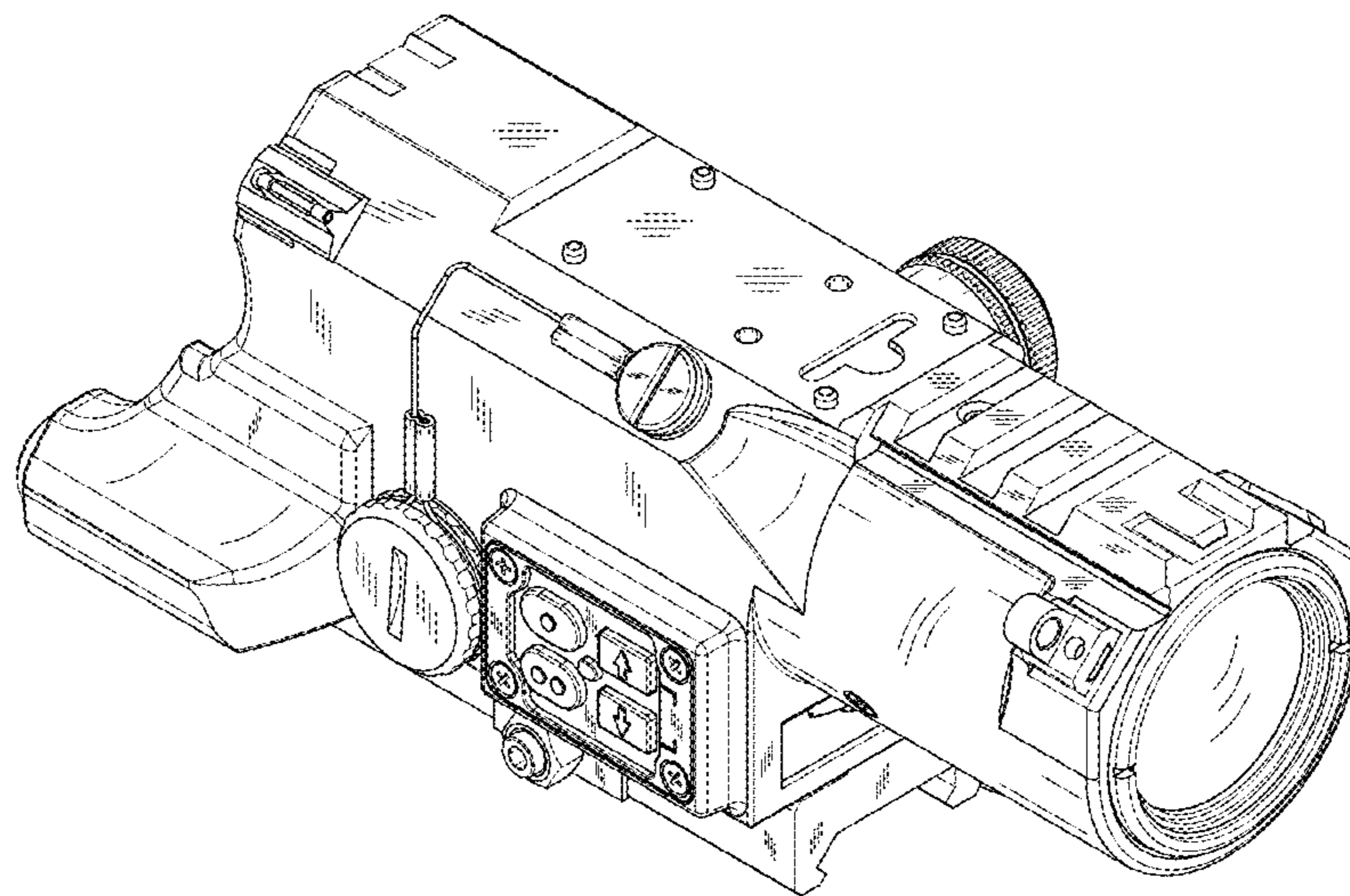


FIG.8

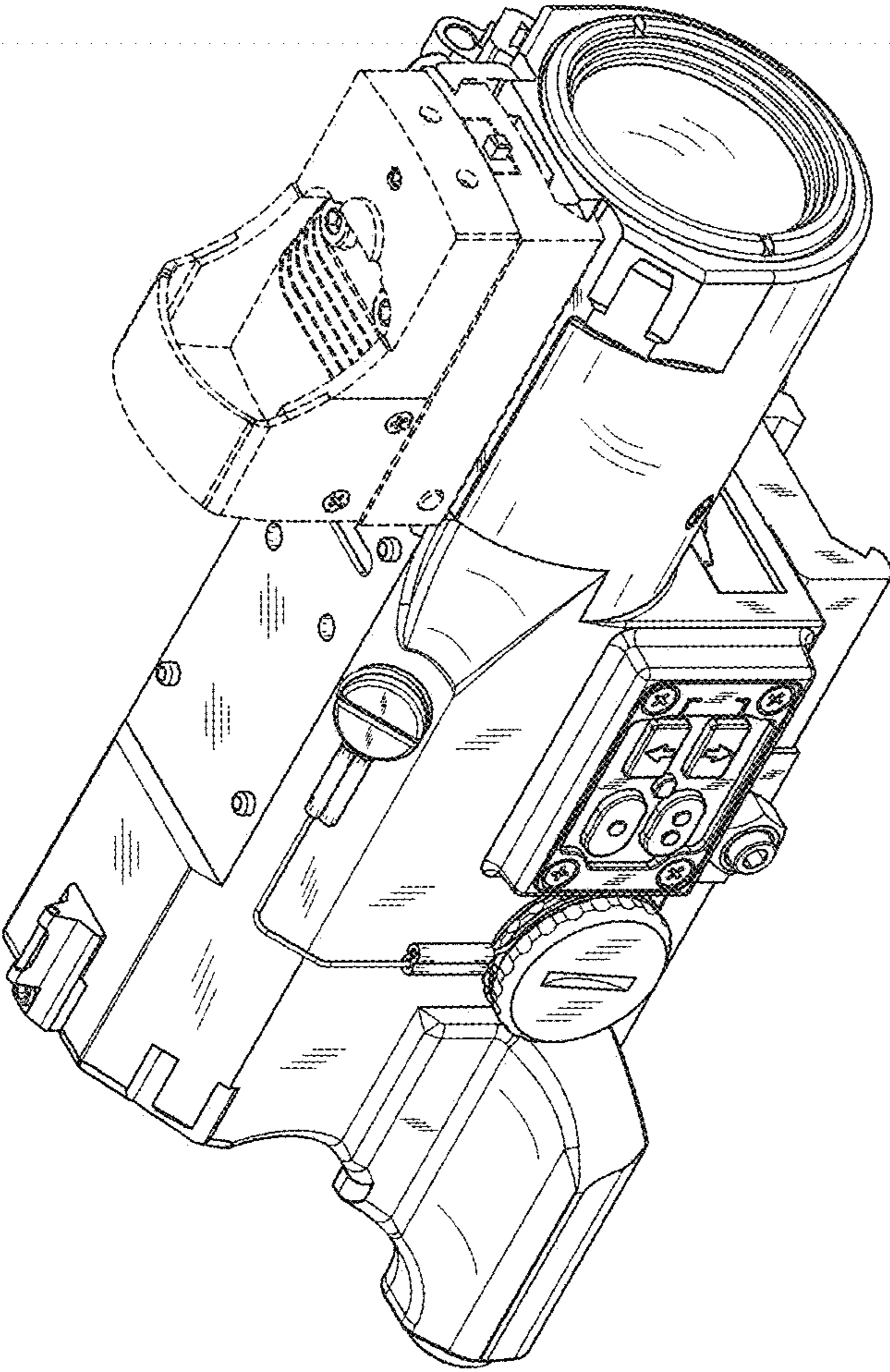


FIG.9

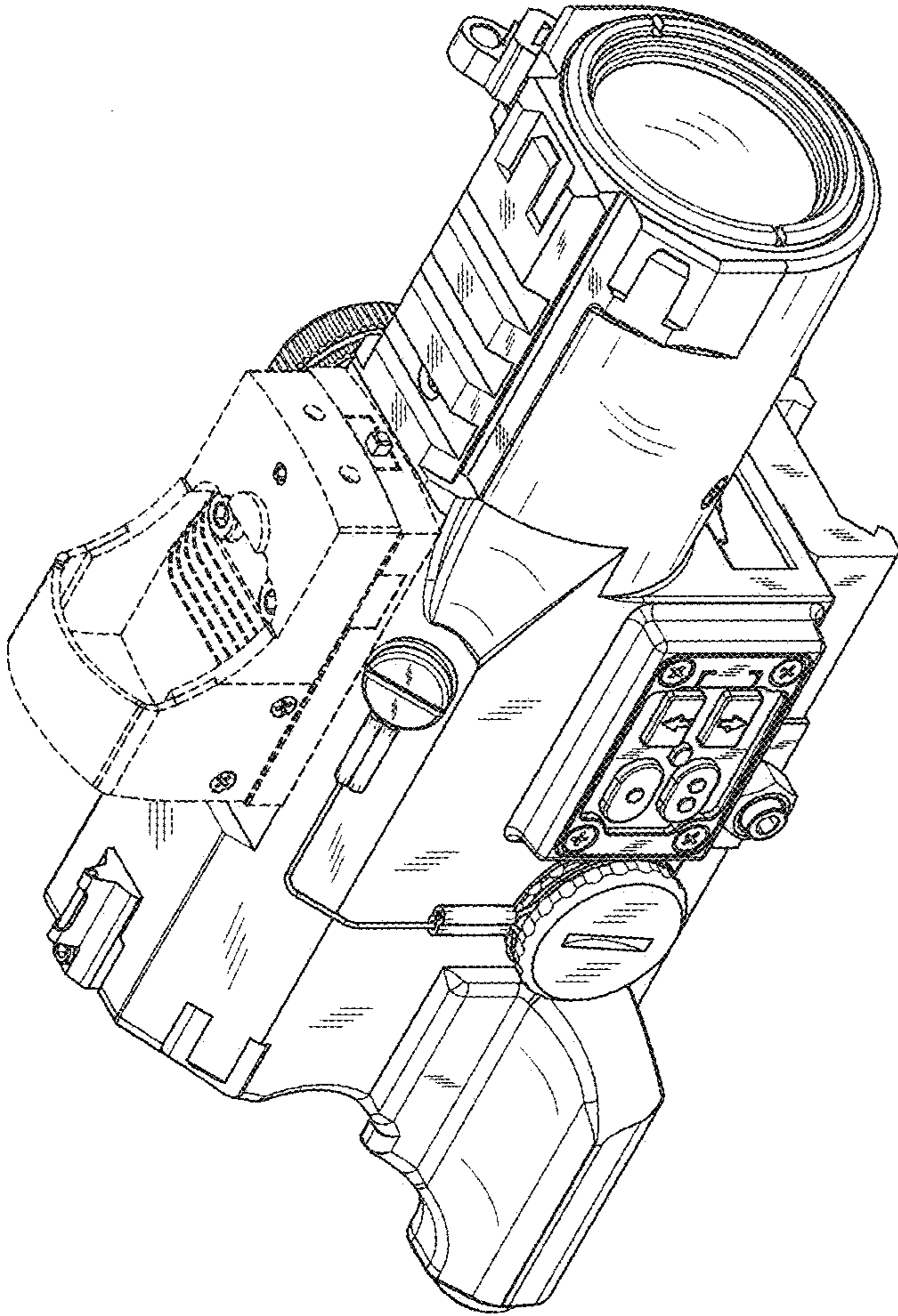


FIG.10

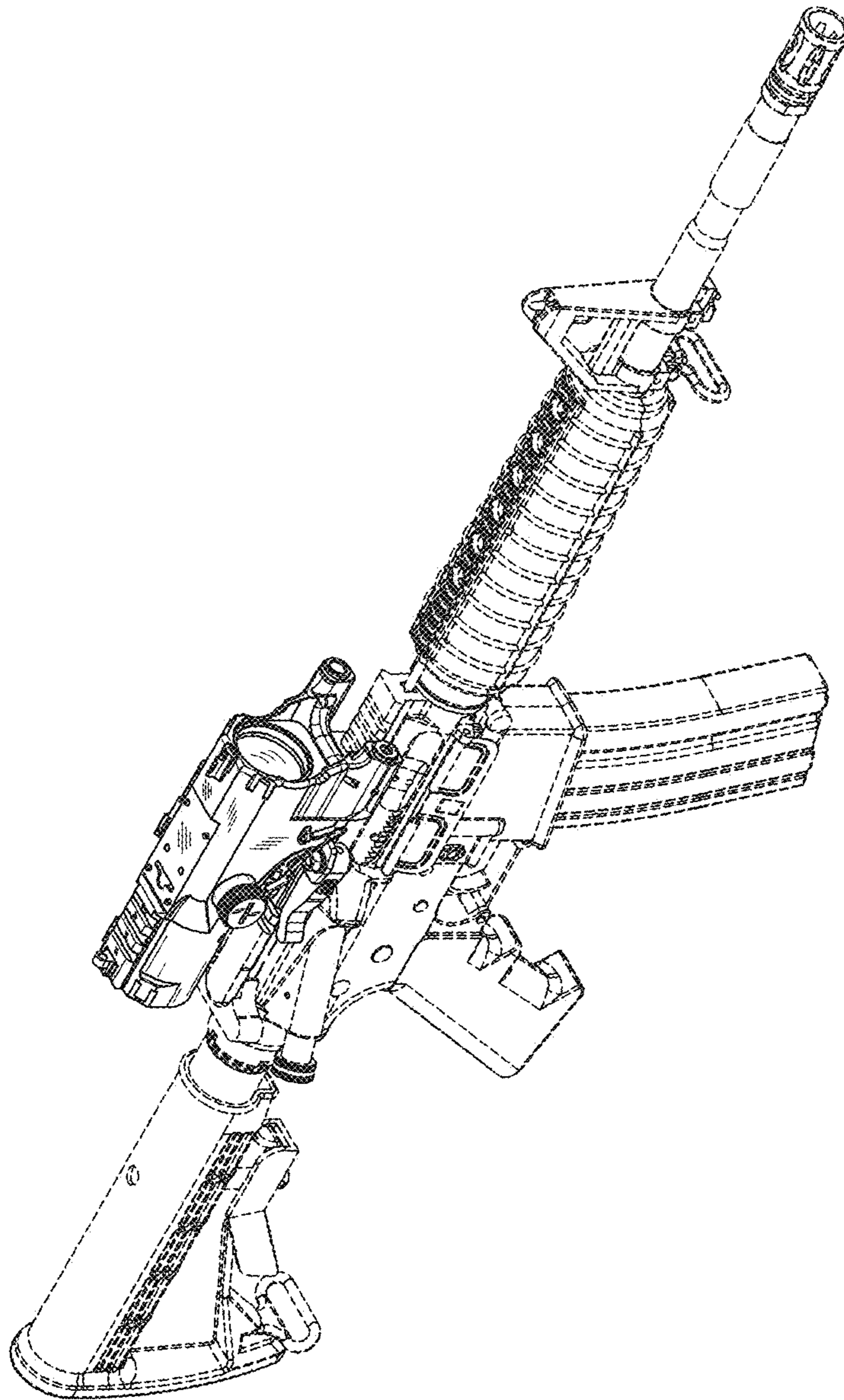


FIG.11

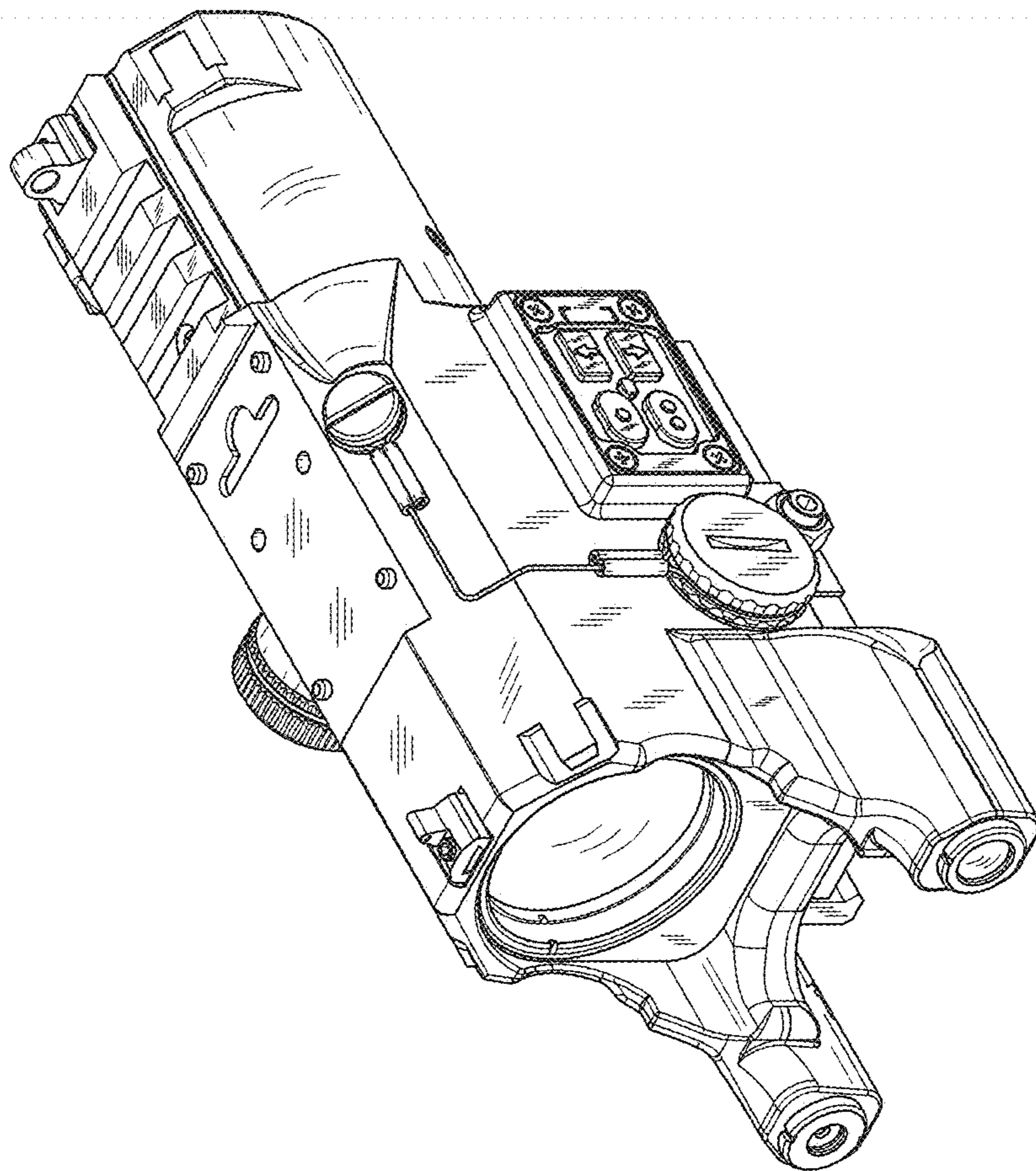


FIG.12