



US00D757883S

(12) **United States Design Patent**
Chow et al.

(10) **Patent No.:** **US D757,883 S**
(45) **Date of Patent:** **** May 31, 2016**

(54) **FIXED STOCK FOR A FIREARM**

D297,855 S 9/1988 Ruger
4,788,785 A 12/1988 White
4,856,410 A 8/1989 Anderson

(71) Applicant: **Magpul Industries Corporation**,
Louisville, CO (US)

(Continued)

(72) Inventors: **Eric H. Chow**, Highlands Ranch, CO
(US); **Michael T. Mayberry**, Denver,
CO (US)

OTHER PUBLICATIONS

Command_Arms_SRS_Product_Info_Online_2008 Command
Arms Accessories Online Catalog (2008) SRS Product Information.

(73) Assignee: **Magpul Industries Corporation**,
Louisville, CO (US)

(Continued)

(**) Term: **14 Years**

Primary Examiner — Michael A Pratt

(21) Appl. No.: **29/512,719**

(74) *Attorney, Agent, or Firm* — Swanson & Bratschun,
L.L.C.

(22) Filed: **Dec. 22, 2014**

(51) **LOC (10) Cl.** **22-01**

(52) **U.S. Cl.**
USPC **D22/108**

(58) **Field of Classification Search**
USPC D22/103, 108; D21/572-573
CPC F41C 23/04; F41C 23/14; F41C 23/06;
F41C 23/22

See application file for complete search history.

(57) **CLAIM**

The ornamental design for a fixed stock for a firearm, as
shown and described.

DESCRIPTION

FIG. 1 is a left, top, rear perspective view of a fixed stock for
a firearm attached to a firearm showing our new design;
FIG. 2 is a left, bottom, rear perspective view of the fixed
stock for a firearm of FIG. 1;
FIG. 3 is a right side elevation view of the fixed stock for a
firearm of FIG. 1;
FIG. 4 is a left side elevation view of the fixed stock for a
firearm of FIG. 1;
FIG. 5 is a rear elevation view of the fixed stock for a firearm
of FIG. 1;
FIG. 6 is a front elevation view of the fixed stock for a firearm
of FIG. 1;
FIG. 7 is a top plan view of the fixed stock for a firearm of FIG.
1; and,
FIG. 8 is a bottom plan view of the fixed stock for a firearm of
FIG. 1.

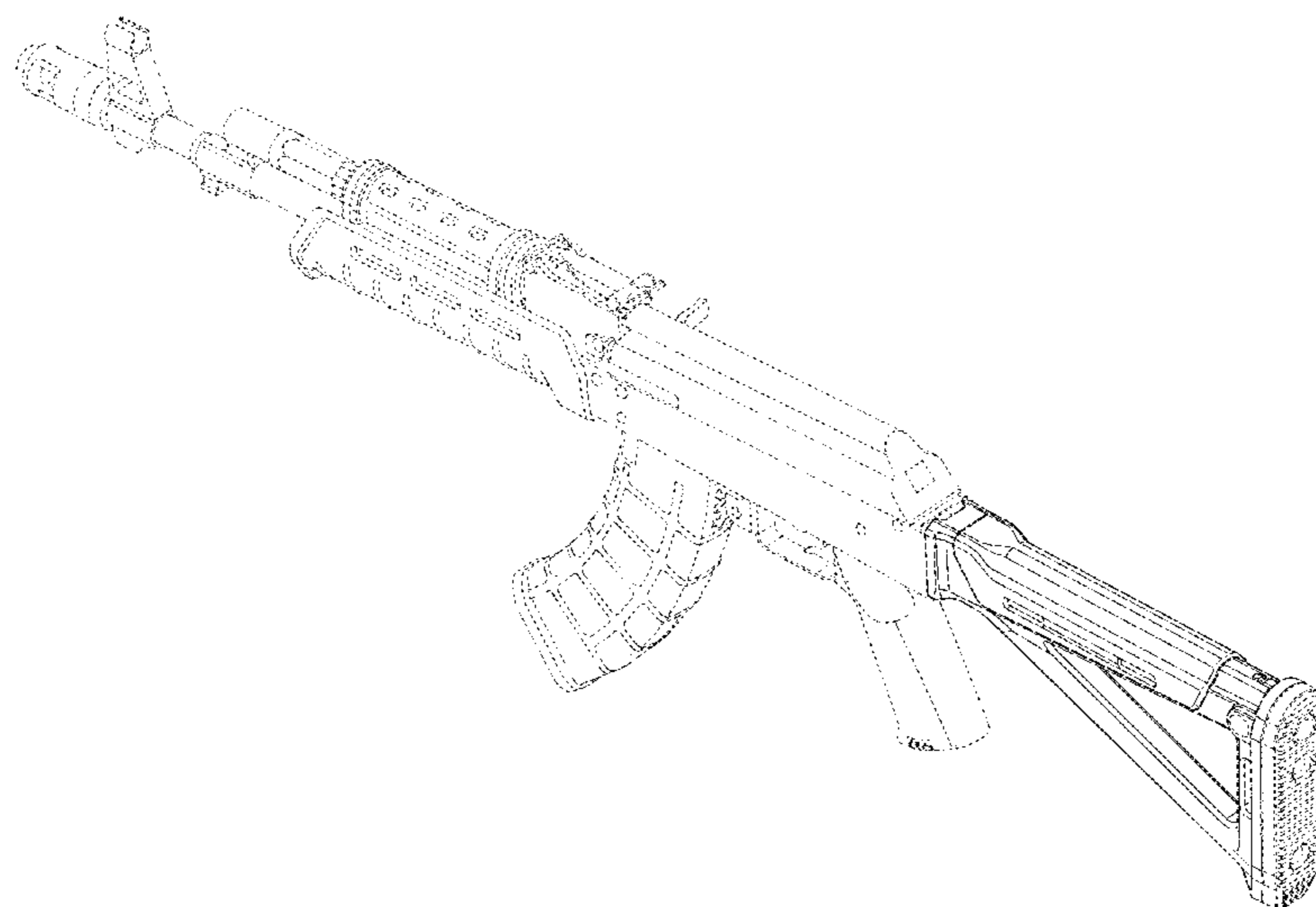
The broken lines showing portions of the design in all figures
are included for the purpose of illustrating environment and
unclaimed features and form no part of the claimed design.

(56) **References Cited**

U.S. PATENT DOCUMENTS

922,173 A	5/1909	Lovelace
1,032,628 A	7/1912	Sherman
1,651,299 A	11/1927	Stansel
D180,389 S	6/1957	Bowman
D196,304 S	9/1963	Hoge
3,618,249 A	11/1971	Grandy
3,710,496 A	1/1973	Packmayr
D241,836 S	10/1976	Ruger
4,120,108 A	10/1978	Vickers
4,122,623 A	10/1978	Stice
D253,485 S	11/1979	Robinson
4,203,243 A	5/1980	Hickman
4,589,219 A	5/1986	Milliman
4,663,877 A	5/1987	Bragg

1 Claim, 6 Drawing Sheets



(56)

References Cited

U.S. PATENT DOCUMENTS

D304,223 S 10/1989 Ruger
 4,896,446 A 1/1990 Gregory
 5,031,348 A 7/1991 Carey
 5,075,995 A 12/1991 Kennel
 D324,557 S 3/1992 Livingston
 5,933,997 A 8/1999 Barrett
 6,301,817 B1 10/2001 Hogue
 D462,104 S 8/2002 McCarthy
 6,637,141 B1 10/2003 Weatherby
 D516,660 S 3/2006 Murello
 D517,637 S 3/2006 Murello
 7,162,823 B2 1/2007 Schoppman
 D551,313 S 9/2007 Saur
 D589,578 S 3/2009 Choma
 D603,013 S 10/2009 Fitzpatrick
 D606,614 S 12/2009 Fitzpatrick
 7,647,719 B2 1/2010 Fitzpatrick
 7,665,240 B1 2/2010 Bentley
 7,716,864 B2 5/2010 Skrubis
 7,827,722 B1 11/2010 Davies
 D631,526 S 1/2011 Torre
 D636,833 S 4/2011 Mayberry
 D636,834 S 4/2011 Mayberry
 D639,891 S 6/2011 Chvala
 D640,342 S 6/2011 Fitzpatrick
 D645,110 S 9/2011 Cook
 D645,533 S 9/2011 Peterson
 D648,412 S 11/2011 Cook
 D661,366 S 6/2012 Zusman
 D661,768 S 6/2012 Keng
 D668,311 S 10/2012 Rogers
 D676,921 S 2/2013 Fitzpatrick
 D679,356 S 4/2013 Klotz
 D680,611 S 4/2013 Emde
 D683,808 S 6/2013 Elkaim
 D688,768 S 8/2013 Fitzpatrick
 D691,234 S 10/2013 Fitzpatrick
 D692,087 S 10/2013 Fitzpatrick
 8,555,541 B2 * 10/2013 Ingram F41A 11/00
 42/71.01
 D695,377 S 12/2013 Mayberry
 D700,265 S 2/2014 Mayberry
 8,656,622 B2 2/2014 Peterson
 D704,294 S 5/2014 Jarboe
 8,720,099 B1 5/2014 Sisk
 8,782,941 B2 * 7/2014 Zusman F41C 23/14
 42/73
 8,844,185 B2 9/2014 Jarboe
 D722,671 S 2/2015 Mayberry
 8,943,728 B2 * 2/2015 Ward F41C 23/22
 42/71.01
 D724,168 S * 3/2015 Alis D22/103
 D725,219 S * 3/2015 Hirt D22/108
 D728,724 S * 5/2015 Bosco D22/108
 D731,023 S * 6/2015 Hirt D22/108
 9,109,855 B1 * 8/2015 Kincel F41C 23/20
 9,228,795 B1 * 1/2016 Kielsmeier F41C 23/14
 2005/0235545 A1 10/2005 Roller
 2007/0289191 A1 12/2007 Cowan
 2008/0028662 A1 2/2008 Abraham
 2008/0236016 A1 10/2008 Fitzpatrick

2008/0236017 A1 10/2008 Fitzpatrick
 2010/0115817 A1 5/2010 Faifer
 2010/0205846 A1 8/2010 Fitzpatrick
 2011/0173863 A1 7/2011 Ingram
 2011/0192067 A1 8/2011 Troy
 2012/0073177 A1 3/2012 Laney
 2012/0174455 A1 7/2012 Edelman
 2012/0174456 A1 7/2012 Depierro
 2012/0174457 A1 7/2012 Edelman
 2012/0304520 A1 12/2012 Battaglia
 2015/0345881 A1 * 12/2015 Irvin F41A 3/78
 42/1.06
 2016/0061559 A1 * 3/2016 Wood F41C 23/20
 42/73

OTHER PUBLICATIONS

Defensive_Edge_Sully_Stock Defensive Edge Training and Consulting, Inc. Online Catalog (2010) "Sully Stock" Available Website: http://www.thedefensiveedge.com/category_s/51.htm; Last Update: Unknown.
 Evike_2014_IC_Side_Folding_Stock Evike.com (Aug. 26, 2014) ICS Triangle Side Folding Stock for ICS SIG 552 / 551 Series Airsoft AEG; Website [Online] Available Website: <http://www.evike.com/products/32906/>; Last Update: Unknown; Accessed on: Mar. 6, 2015.
 HK_PSG1A1_Product_Online_2008 Heckler & Koch Online Catalog (2008) PSG1A1 Product Information.
 IMGUR_rHgvs6yl Imgur Photo; Website [Online] Available Website: <http://i.imgur.com/rHgvs6yl.jpg>; Last Update: Unknown; Accessed on: Mar. 6, 2015.
 KVAR_2012_AK-BFS KVAR Corp. (Sep. 12, 2012) AK-BFS; Website [Online] Available Website: <http://www.kvar.com/shop/AK-BFS.html>; Last Update: Jun. 15, 2013; Accessed on: Mar. 6, 2015.
 Magpul_2007_PRS_FAL_Online_Catalog Magpul Online Catalog (2007) FAL Preproduction Product Information.
 Magpul_2007_PRS_AR15M16_Online_Catalog Magpul Online Catalog (2007) PRS Ar15/M16 Product Information.
 Total_Silence_Home_of_the_XM607_Buttstock TSI Online Catalog (2011) "Total Silence—Home of the XM607 Buttstock" Available Website: <http://totalsilenceinc.com/>; Last Update: Unknown.
 Design U.S. Appl. No. 29/353,907, "Fixed Firearm Stock" filed Jan. 15, 2010, (Issued).
 Design U.S. Appl. No. 29/399,326, "ACS Rifle Stock" filed Aug. 12, 2011, by Fitzpatrick.
 Design U.S. Appl. No. 29/405,857, "Stock for a Firearm" filed Nov. 7, 2011, (Issued).
 Design U.S. Appl. No. 29/403,627, "Stock for Firearm" filed Oct. 7, 2011, (Issued).
 Design U.S. Appl. No. 29/424,241, "Fixed Carbine Stock" filed Jun. 8, 2012, (Issued).
 Design U.S. Appl. No. 29/423,118, "Rifle Stock" filed May 29, 2012, (Issued).
 Design U.S. Appl. No. 29/486,201, "Stock Butt Pad" filed Mar. 27, 2014.
 Wikipedia_AK_12 Wikipedia AK-12; Website [Online] Available Website: <http://en.m.wikipedia.org/wiki/AK-12>; Last Update: Unknown; Accessed on: Mar. 30, 2015.

* cited by examiner

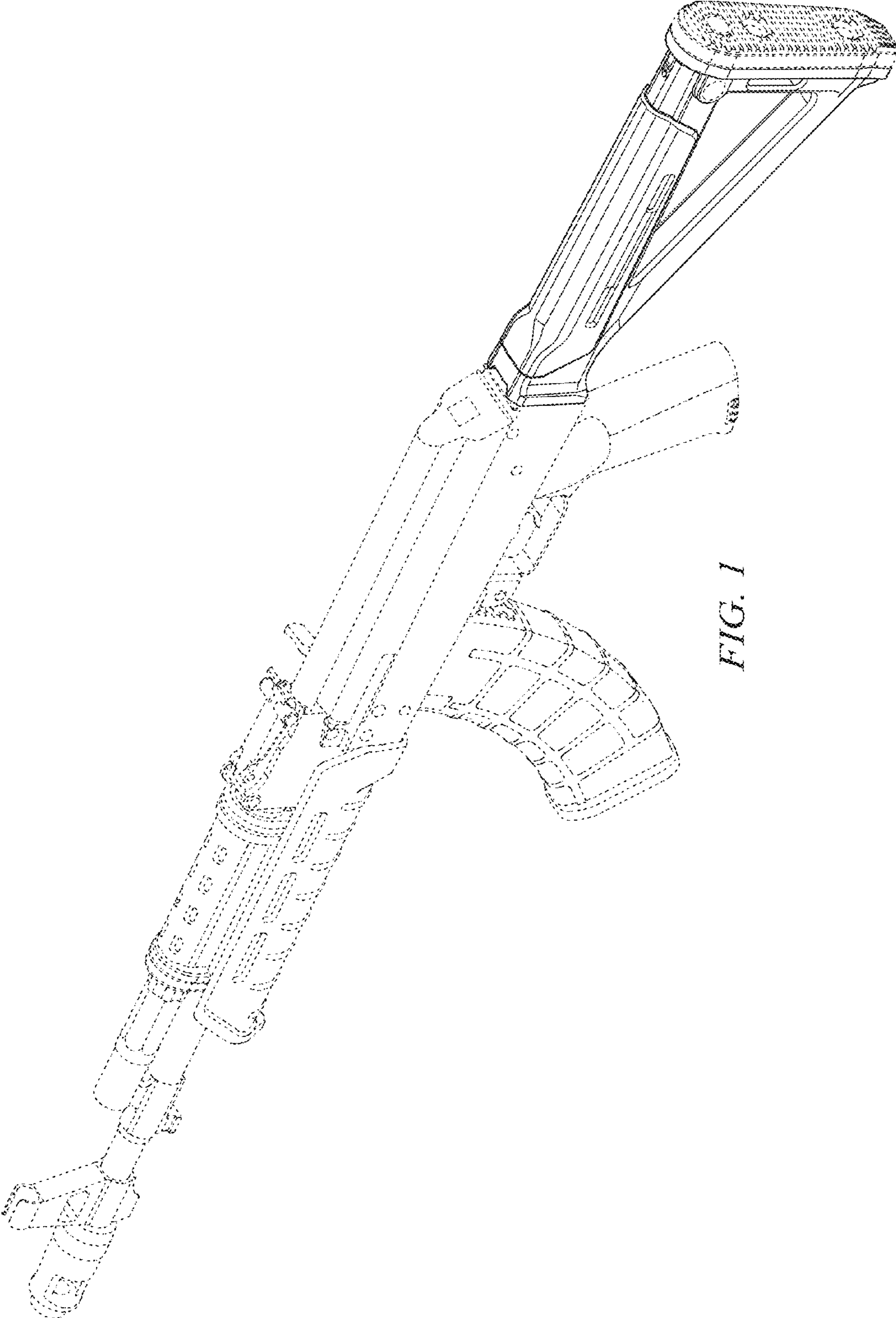


FIG. 1

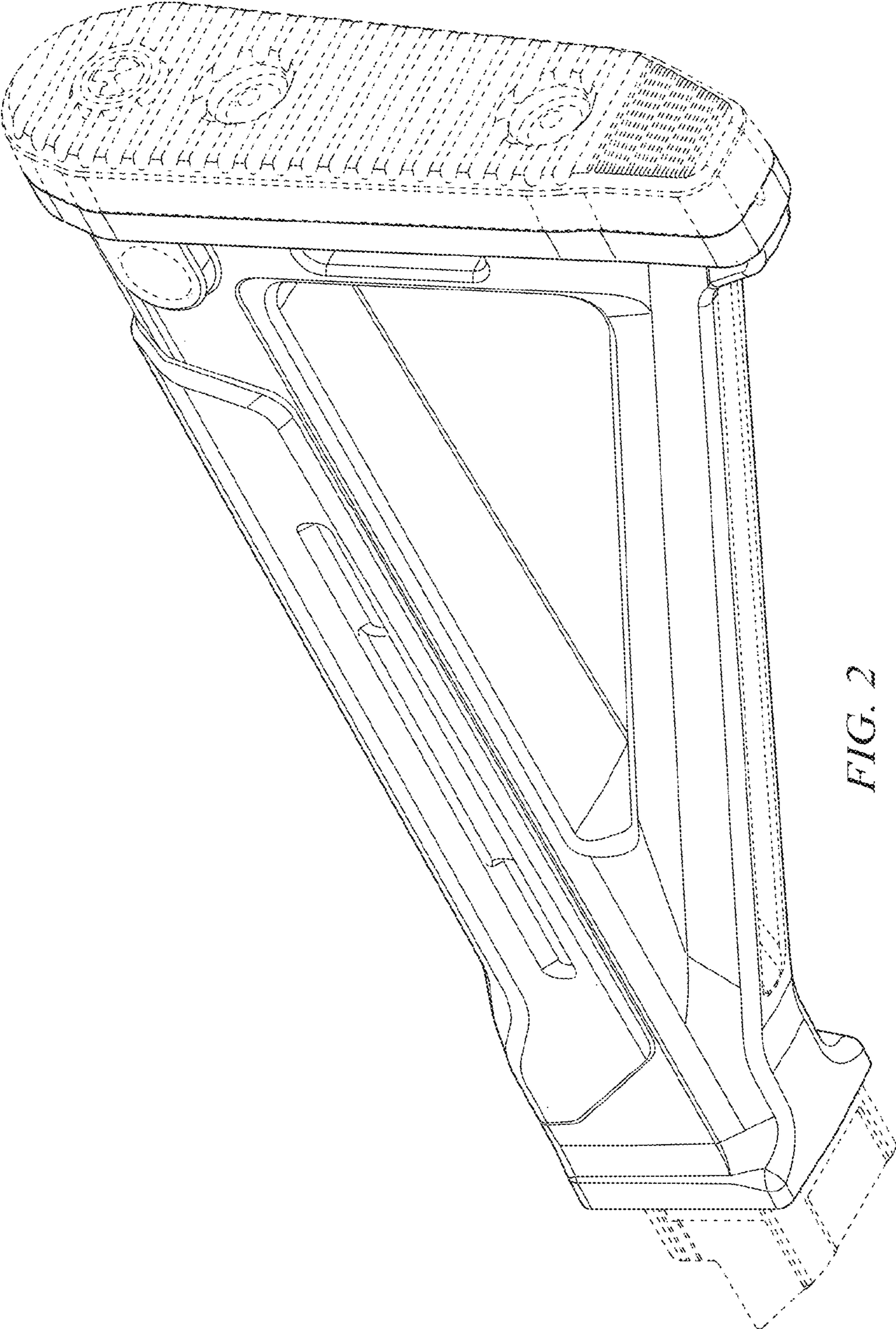


FIG. 2

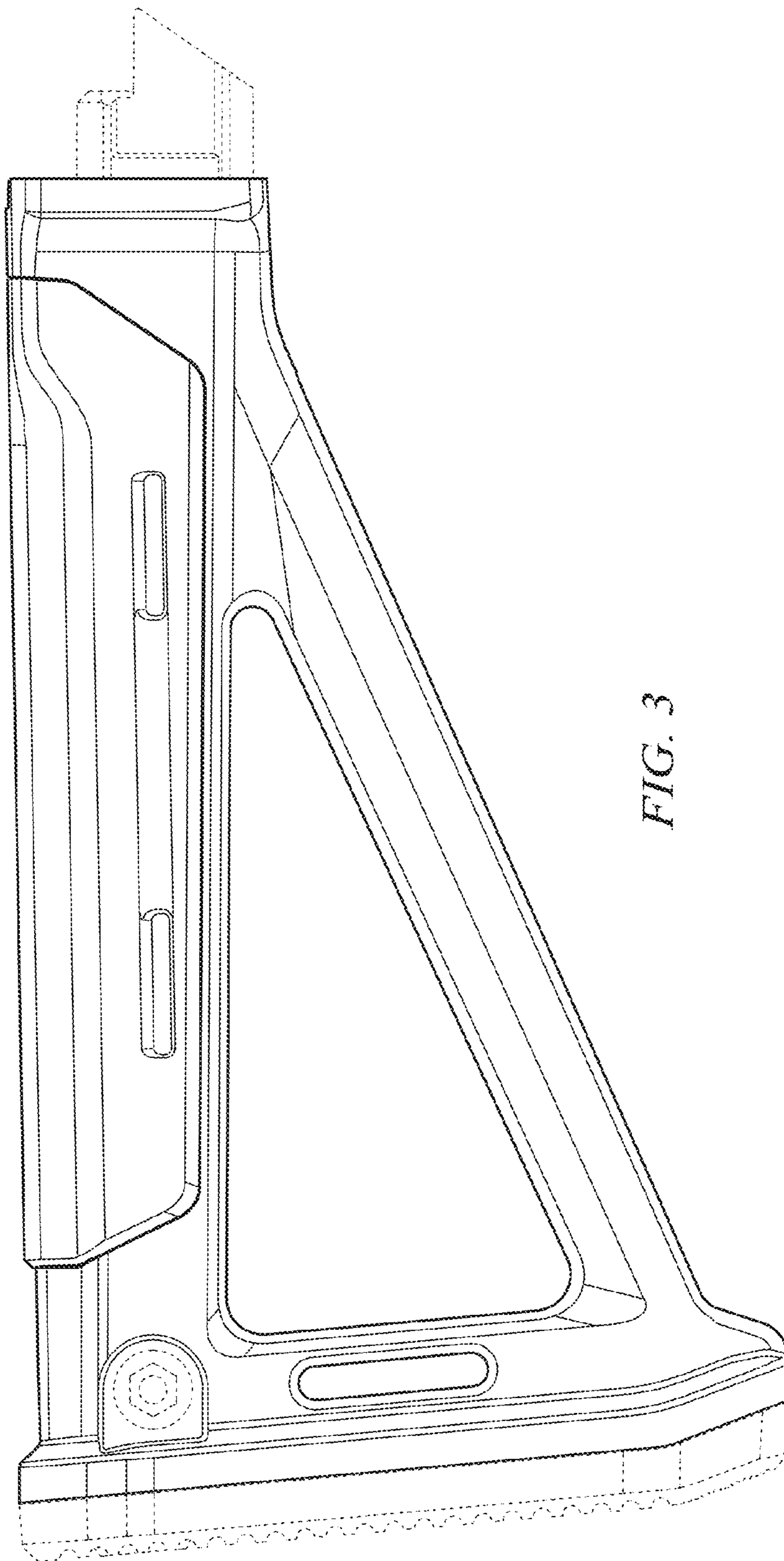


FIG. 3

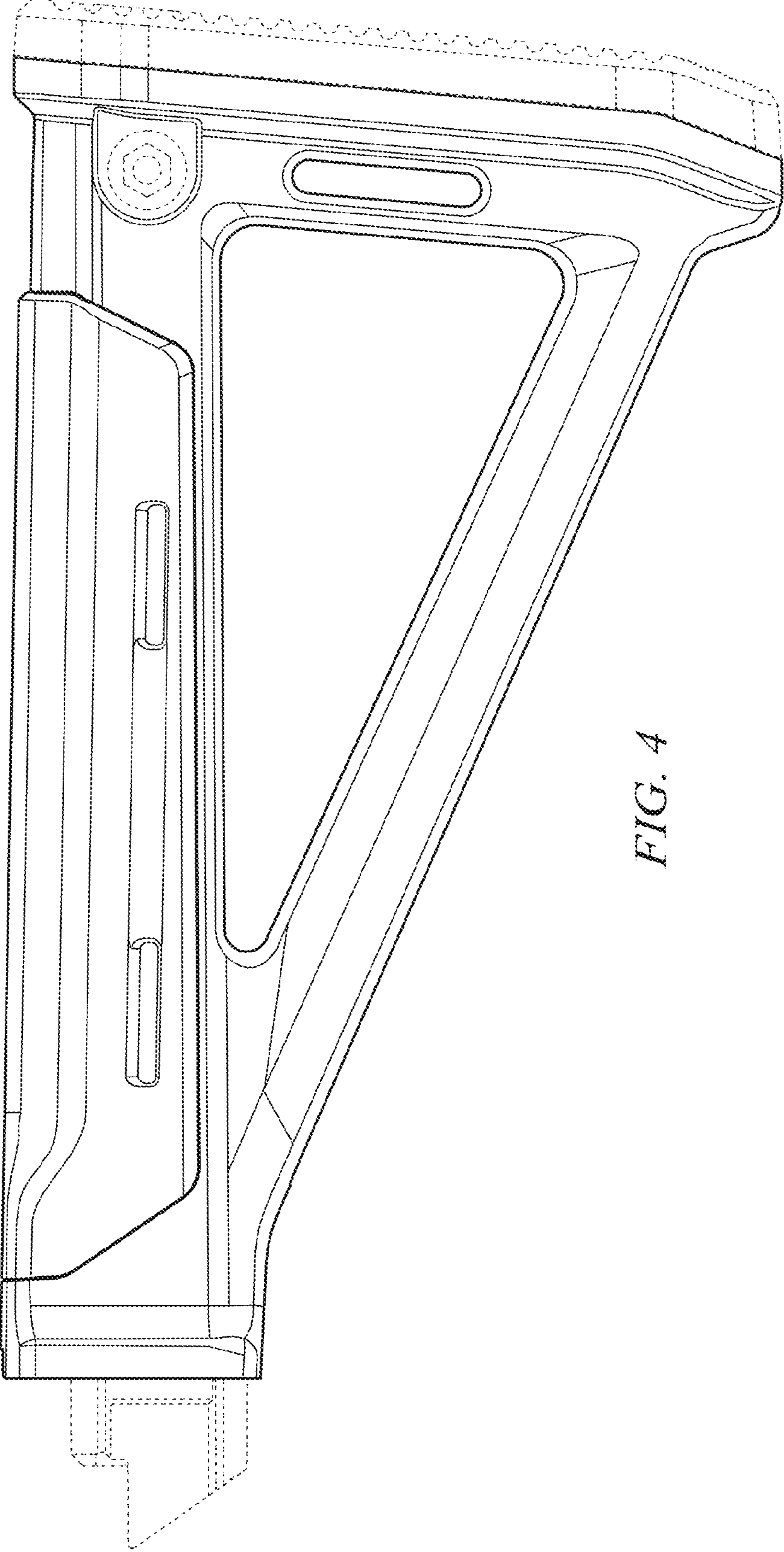


FIG. 4

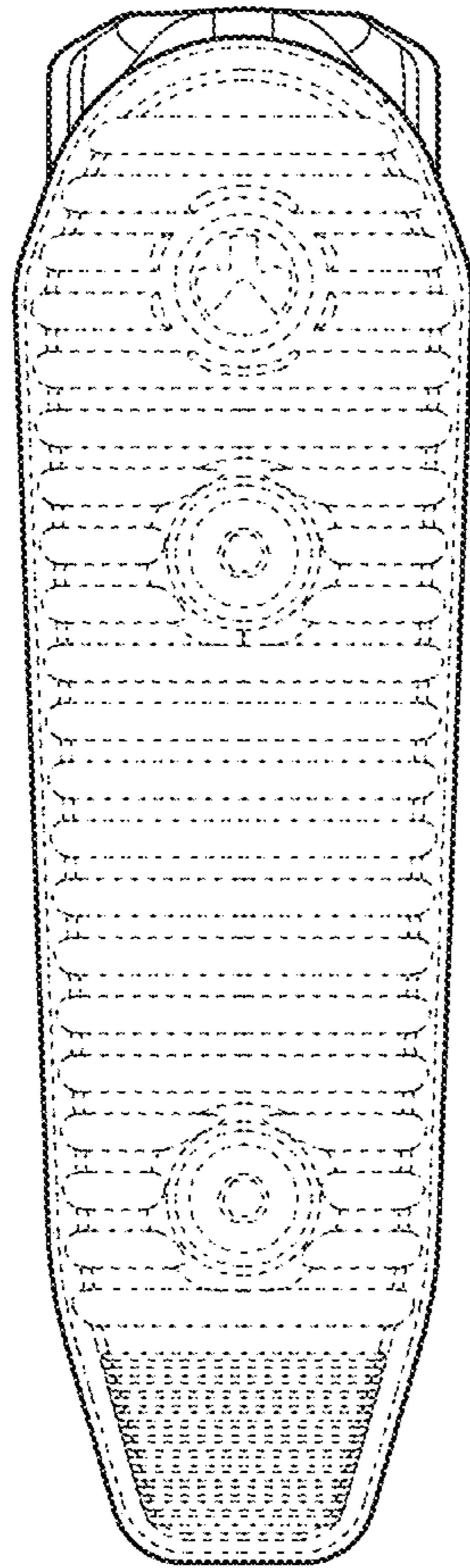


FIG. 5

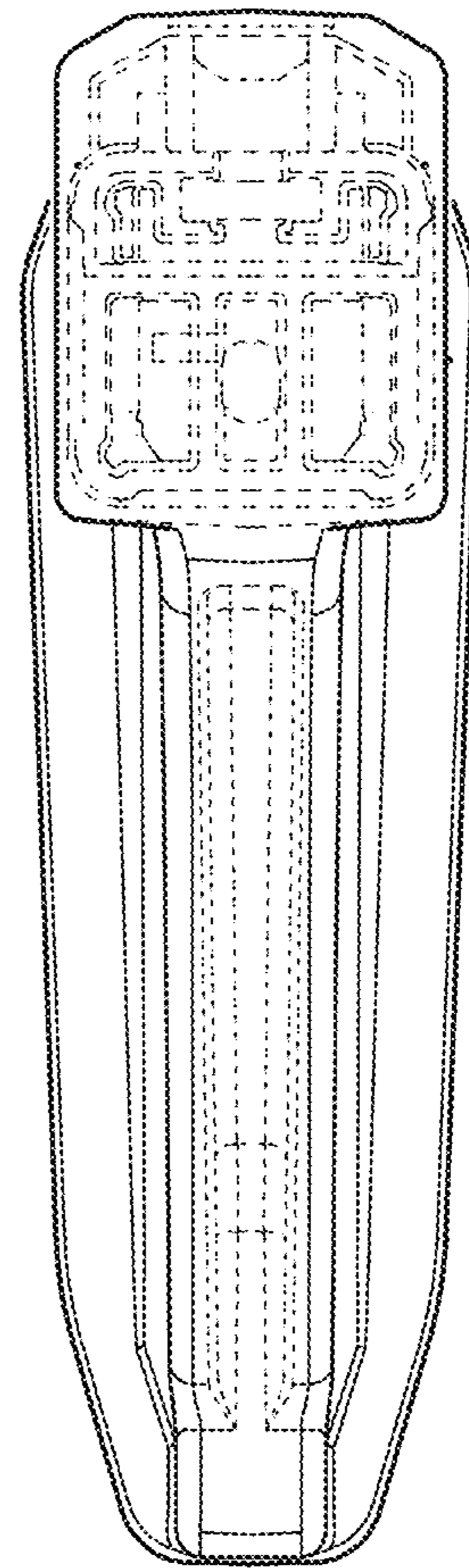


FIG. 6

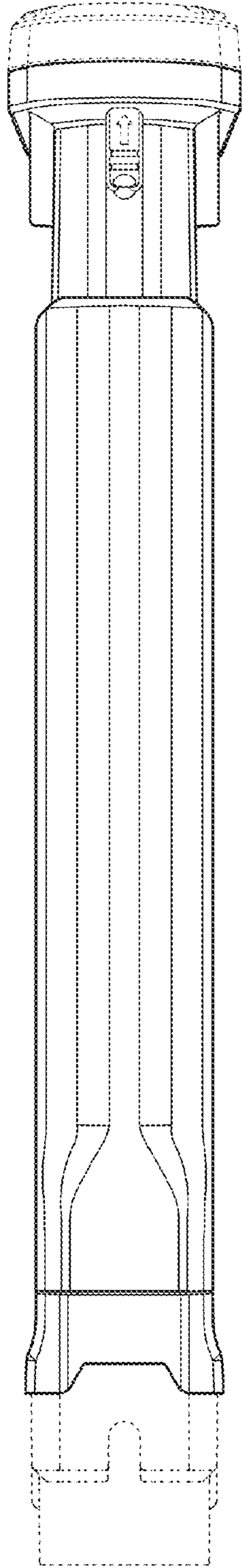


FIG. 7

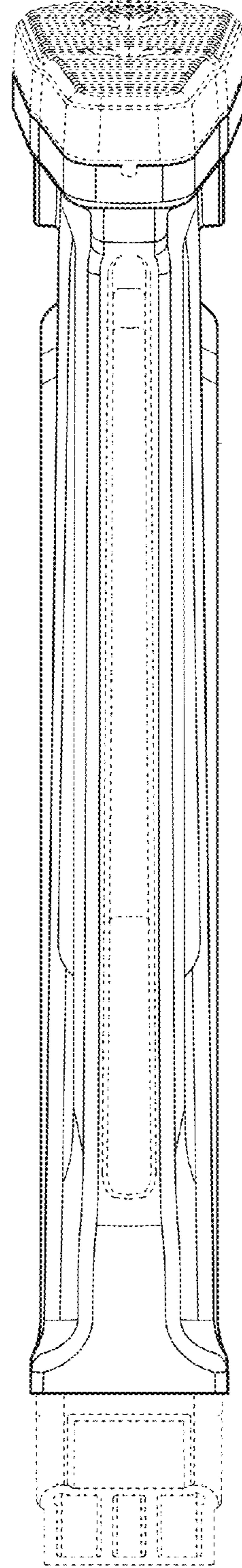


FIG. 8