



US00D757882S

(12) **United States Design Patent**
Biedenbach et al.

(10) **Patent No.:** **US D757,882 S**

(45) **Date of Patent:** **** May 31, 2016**

(54) **GUN SLIDE GRIP**
(71) Applicant: **Arachnigrip LLC**, Parker, CO (US)
(72) Inventors: **Robert Colton Biedenbach**, Parker, CO (US); **Donald Hoekendorf**, Parker, CO (US)

7,329,232 B2 * 2/2008 Lipshaw A61F 13/06
128/845
7,625,625 B2 12/2009 Rios et al.
7,897,233 B2 3/2011 Esposito et al.
D696,784 S * 12/2013 Ibrahim D24/190
D702,308 S 4/2014 Glock
D731,069 S * 6/2015 Bialek D24/190
2003/0027475 A1 2/2003 Yu

(73) Assignee: **Arachnigrip LLC**, Parker, CO (US)

(Continued)

(**) Term: **14 Years**

OTHER PUBLICATIONS
www.AR15.com, Glock non skid tape, Jul. 15, 2014.

(21) Appl. No.: **29/511,823**

(Continued)

(22) Filed: **Dec. 15, 2014**

Primary Examiner — Michael A Pratt

(51) **LOC (10) Cl.** **22-01**

(74) *Attorney, Agent, or Firm* — Marsh Fischmann & Breyfogle LLP

(52) **U.S. Cl.**
USPC **D22/108**

(57) **CLAIM**

(58) **Field of Classification Search**
USPC D22/108; D25/190
CPC F41C 3/14; F41C 3/16; F41C 3/04
See application file for complete search history.

The ornamental design for the gun slide grip, as shown and described.

DESCRIPTION

(56) **References Cited**

U.S. PATENT DOCUMENTS

2,718,033	A	9/1955	Burke
4,145,065	A	3/1979	Kupka
4,310,509	A	1/1982	Berglund
4,460,187	A	7/1984	Shimizu
4,504,549	A	3/1985	Pines
4,568,566	A	2/1986	Tolentino
4,613,537	A	9/1986	Krupper
5,622,759	A	4/1997	Fuster
6,416,604	B1	7/2002	Nootbaar
6,755,350	B2	6/2004	Rochford et al.
6,783,692	B2	8/2004	Bhagwagar
6,855,651	B2	2/2005	Yu
7,014,910	B2	3/2006	Rochford et al.
D560,750	S	1/2008	Potter

FIG. 1 is a front view of the gun slide grip.
FIG. 2 is a rear view of the gun slide grip.
FIG. 3 is a left side view of the gun slide grip.
FIG. 4 is a right side view of the gun slide grip.
FIG. 5 is a top view of the gun slide grip.
FIG. 6 is a side perspective view of the gun slide grip disposed on a gun slide.
FIG. 7 is a top view of the gun slide grip disposed on a gun slide; and,
FIG. 8 is a side view of the gun slide grip disposed on a gun slide.
The broken lines depict environmental and non-claimed subject matter and form no part of the claimed design.
The bottom view of the gun slide grip is omitted as being merely duplicative of the provided Figures.

1 Claim, 3 Drawing Sheets



(56)

References Cited

U.S. PATENT DOCUMENTS

2003/0211900 A1 11/2003 Novak
2003/0232900 A1 12/2003 Irifune
2005/0181164 A1 8/2005 Piumarta et al.
2007/0178282 A1 8/2007 Miekka
2009/0162596 A1 6/2009 Rios et al.
2009/0162651 A1 6/2009 Rios et al.
2010/0183814 A1 7/2010 Rios et al.
2011/0072705 A1* 3/2011 Simpkins B25F 1/04
42/59
2011/0289812 A1 12/2011 Losinger
2013/0180152 A1* 7/2013 Speroni F41C 27/00
42/99
2013/0248089 A1 9/2013 Su et al.

2014/0047753 A1* 2/2014 Grossman F41A 3/66
42/72

OTHER PUBLICATIONS

www.ebay.com, Mak0 Fab Tactic-Skin Pistol Gun Slide Cover Anti Slip Grip Glock, Jul. 15, 2014.
www.xdtalk.com, Anybody use non-skid tape on their grips?, Jul. 15, 2014.
NRA, Police Pistol Combat Program Bulletin, Anti-Slip Tape on Slide Sides, Aug. 6, 2012.
www.americanrifleman.org, Handi-Racker Slide Assist Device, Jul. 15, 2014.

* cited by examiner

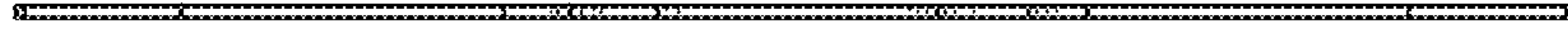


FIG.1

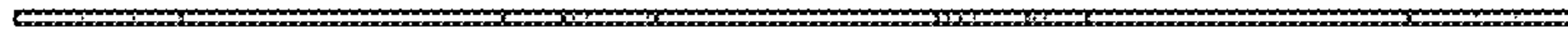


FIG.2

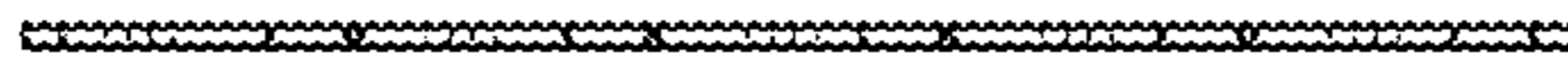


FIG.3

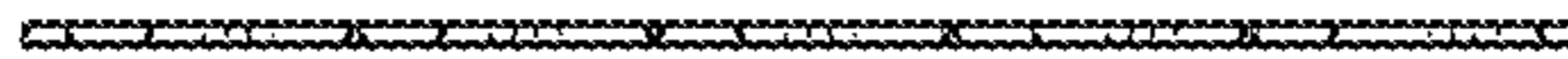


FIG.4

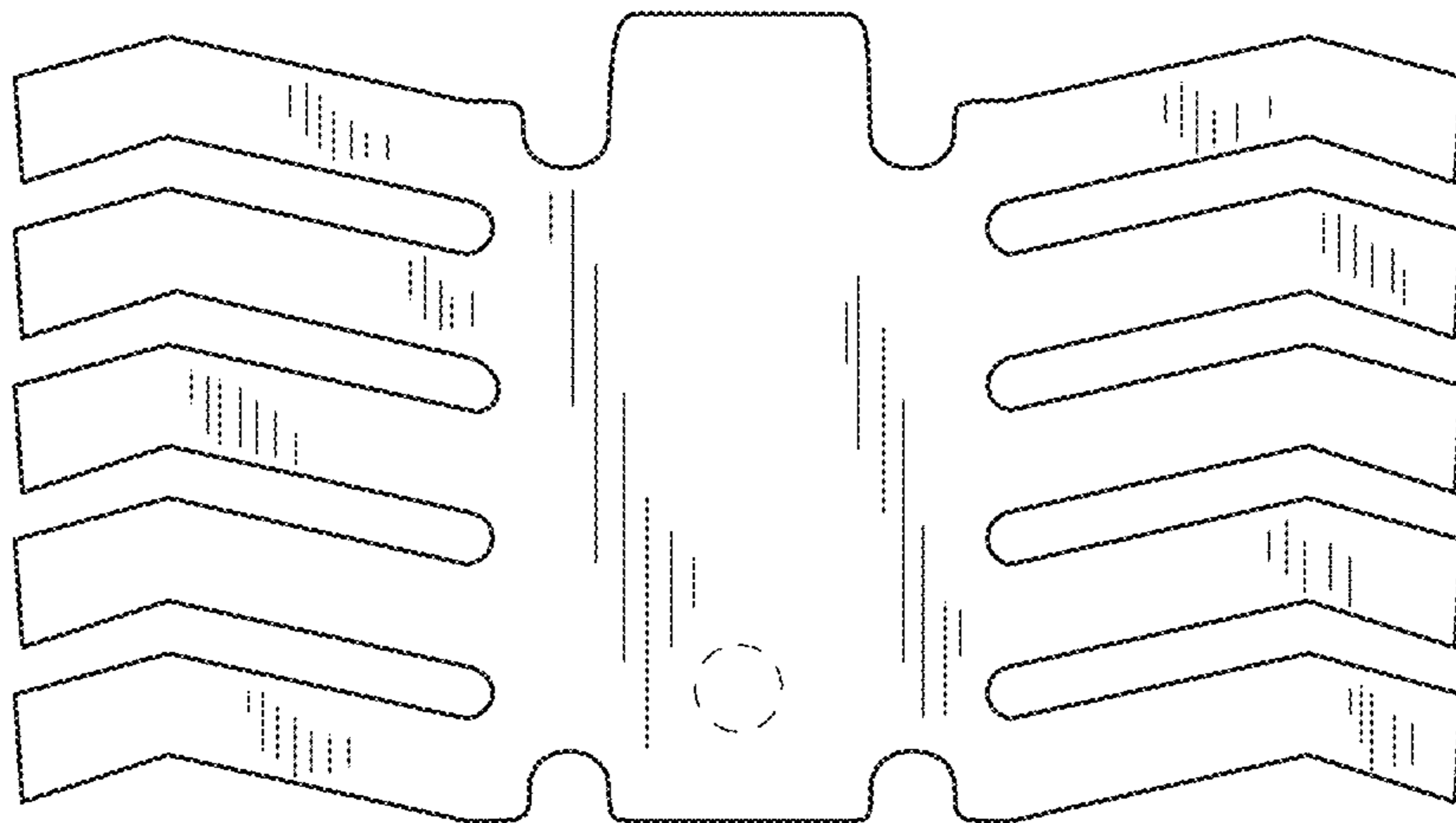


FIG.5

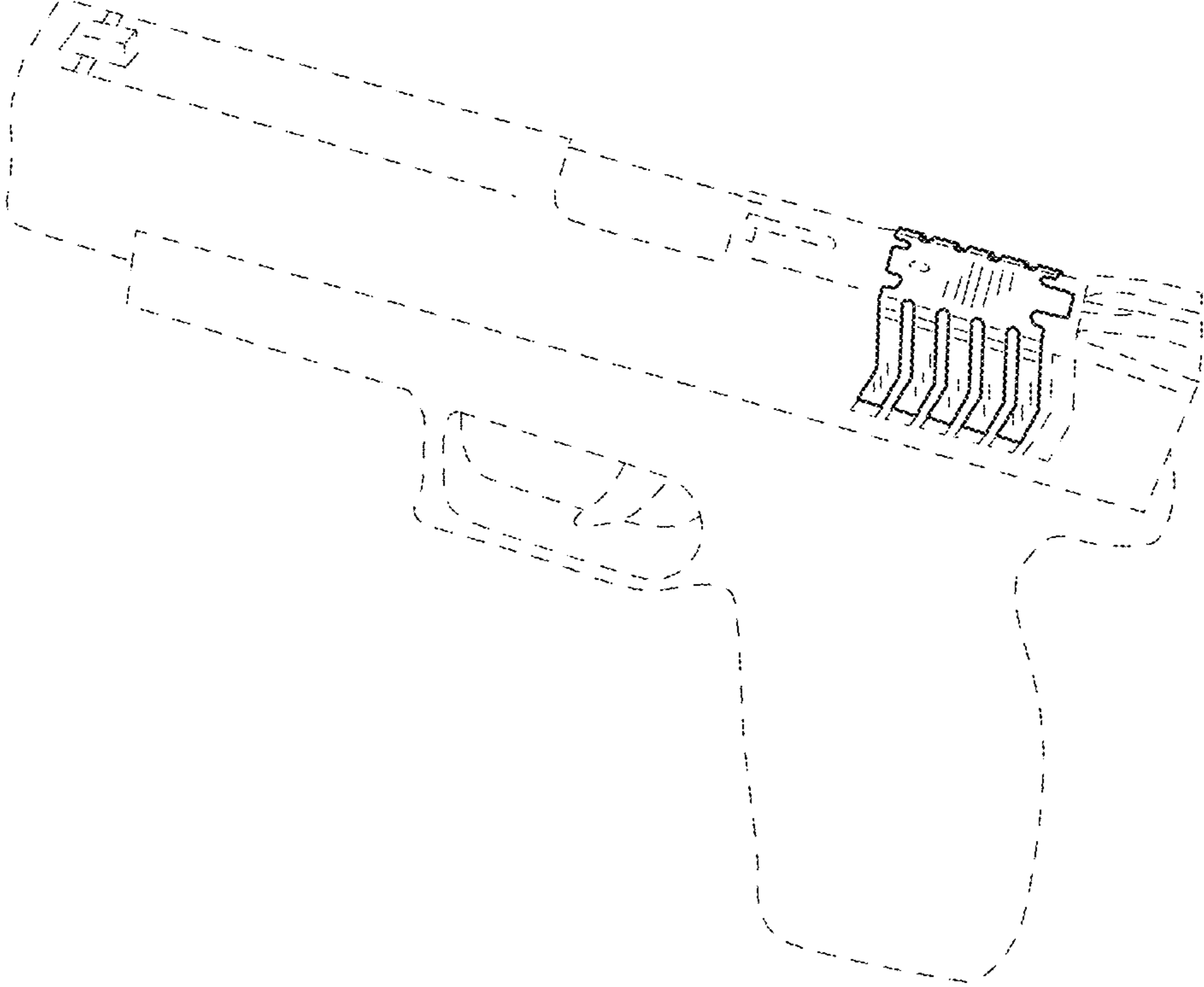


FIG.6

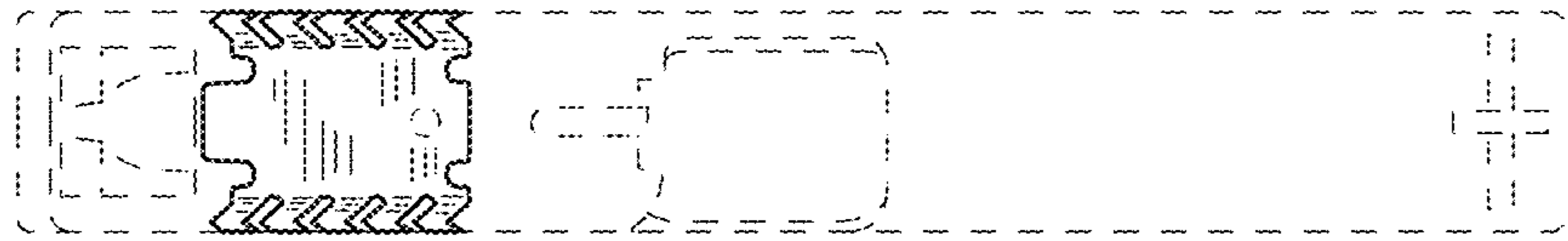


FIG. 7

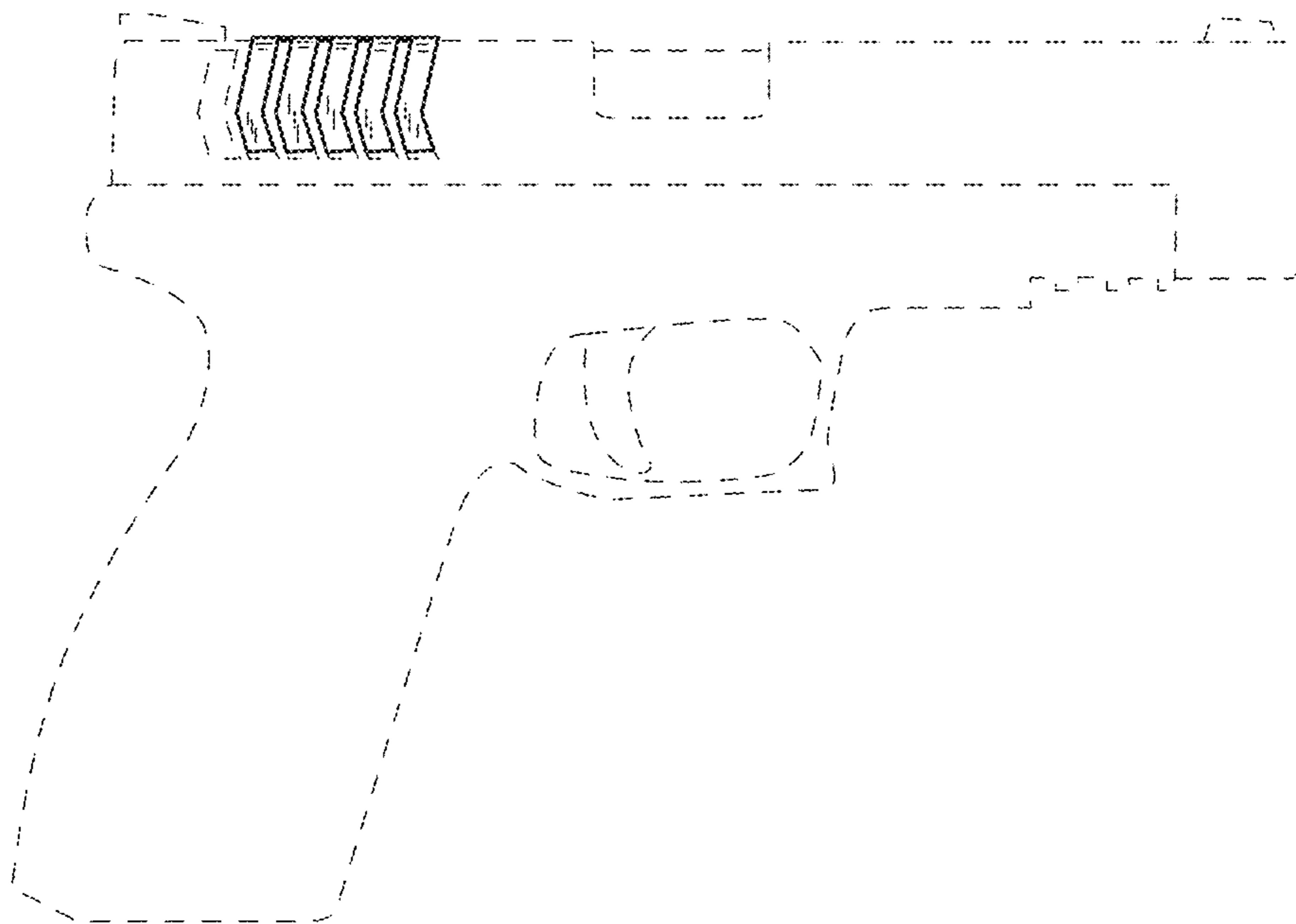


FIG. 8