

US00D757881S

(12) **United States Design Patent**  
**Biedenbach et al.**

(10) **Patent No.:** **US D757,881 S**  
(45) **Date of Patent:** **\*\* May 31, 2016**

(54) **GUN SLIDE GRIP**

(71) Applicant: **Arachnigrip LLC**, Parker, CO (US)

(72) Inventors: **Robert Colton Biedenbach**, Parker, CO (US); **Donald Hoekendorf**, Parker, CO (US)

(73) Assignee: **Arachnigrip LLC**, Parker, CO (US)

(\*\*) Term: **14 Years**

(21) Appl. No.: **29/511,821**

(22) Filed: **Dec. 15, 2014**

(51) **LOC (10) Cl.** ..... **22-01**

(52) **U.S. Cl.**  
USPC ..... **D22/108**

(58) **Field of Classification Search**  
USPC ..... D22/108; D25/190  
CPC ..... F41C 3/14; F41C 3/16; F41C 3/04  
See application file for complete search history.

(56) **References Cited**

U.S. PATENT DOCUMENTS

2,718,033	A	9/1955	Burke	
4,145,065	A	3/1979	Kupka	
4,310,509	A	1/1982	Berglund	
4,460,187	A	7/1984	Shimizu	
4,504,549	A	3/1985	Pines	
4,568,566	A	2/1986	Tolentino	
4,613,537	A	9/1986	Krupper	
5,622,759	A	4/1997	Fuster	
6,416,604	B1	7/2002	Nootbaar	
6,755,350	B2	6/2004	Rochford et al.	
6,783,692	B2	8/2004	Bhagwagar	
6,855,651	B2	2/2005	Yu	
7,014,910	B2	3/2006	Rochford et al.	
D560,750	S	1/2008	Potter	
7,329,232	B2 *	2/2008	Lipshaw	..... A61F 13/06 128/845

7,625,625	B2	12/2009	Rios et al.	
7,897,233	B2	3/2011	Esposito et al.	
D696,784	S *	12/2013	Ibrahim	..... D24/190
D702,308	S	4/2014	Glock	
D731,069	S *	6/2015	Bialek	..... D24/190
2003/0027475	A1	2/2003	Yu	

(Continued)

OTHER PUBLICATIONS

www.AR15.com, Glock non skid tape, Jul. 15, 2014.

(Continued)

*Primary Examiner* — Michael A Pratt

(74) *Attorney, Agent, or Firm* — Marsh Fischmann & Breyfogle LLP

(57) **CLAIM**

The ornamental design for the gun slide grip, as shown and described.

**DESCRIPTION**

FIG. 1 is a front view of the gun slide grip.  
 FIG. 2 is a rear view of the gun slide grip.  
 FIG. 3 is a left side view of the gun slide grip.  
 FIG. 4 is a right side view of the gun slide grip.  
 FIG. 5 is a top view of the gun slide grip.  
 FIG. 6 is a side perspective view of the gun slide grip disposed on a gun slide.  
 FIG. 7 is a top view of the gun slide grip disposed on a gun slide; and,  
 FIG. 8 is a side view of the gun slide grip disposed on a gun slide.

The broken lines depict environmental and non-claimed subject matter and form no part of the claimed design.  
 The bottom view of the gun slide grip is omitted as being merely duplicative of the provided Figures.

**1 Claim, 3 Drawing Sheets**



(56)

**References Cited**

U.S. PATENT DOCUMENTS

2003/0211900 A1 11/2003 Novak  
2003/0232900 A1 12/2003 Irifune  
2005/0181164 A1 8/2005 Piumarta et al.  
2007/0178282 A1 8/2007 Miekka  
2009/0162596 A1 6/2009 Rios et al.  
2009/0162651 A1 6/2009 Rios et al.  
2010/0183814 A1 7/2010 Rios et al.  
2011/0072705 A1\* 3/2011 Simpkins ..... B25F 1/04  
42/59  
2011/0289812 A1 12/2011 Losinger  
2013/0180152 A1\* 7/2013 Speroni ..... F41C 27/00  
42/99

2013/0248089 A1 9/2013 Su et al.  
2014/0047753 A1\* 2/2014 Grossman ..... F41A 3/66  
42/72

OTHER PUBLICATIONS

www.ebay.com, MAK0 FAB Tactic-Skin Pistol Gun Slide Cover  
Anti Slip Grip Glock, Jul. 15, 2014.  
www.xdtalk.com, Anybody use non-skid tape on their grips?, Jul. 15,  
2014.  
NRA, Police Pistol Combat Program Bulletin, Anti-Slip Tape on  
Slide Sides, Aug. 6, 2012.  
www.americanrifeman.org, Handi-Racker Slide Assist Device, Jul.  
15, 2014.

\* cited by examiner

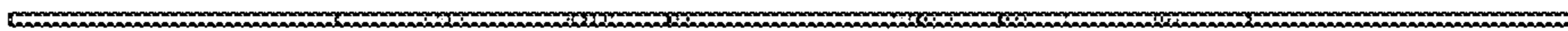


FIG. 1



FIG. 2



FIG. 3



FIG. 4

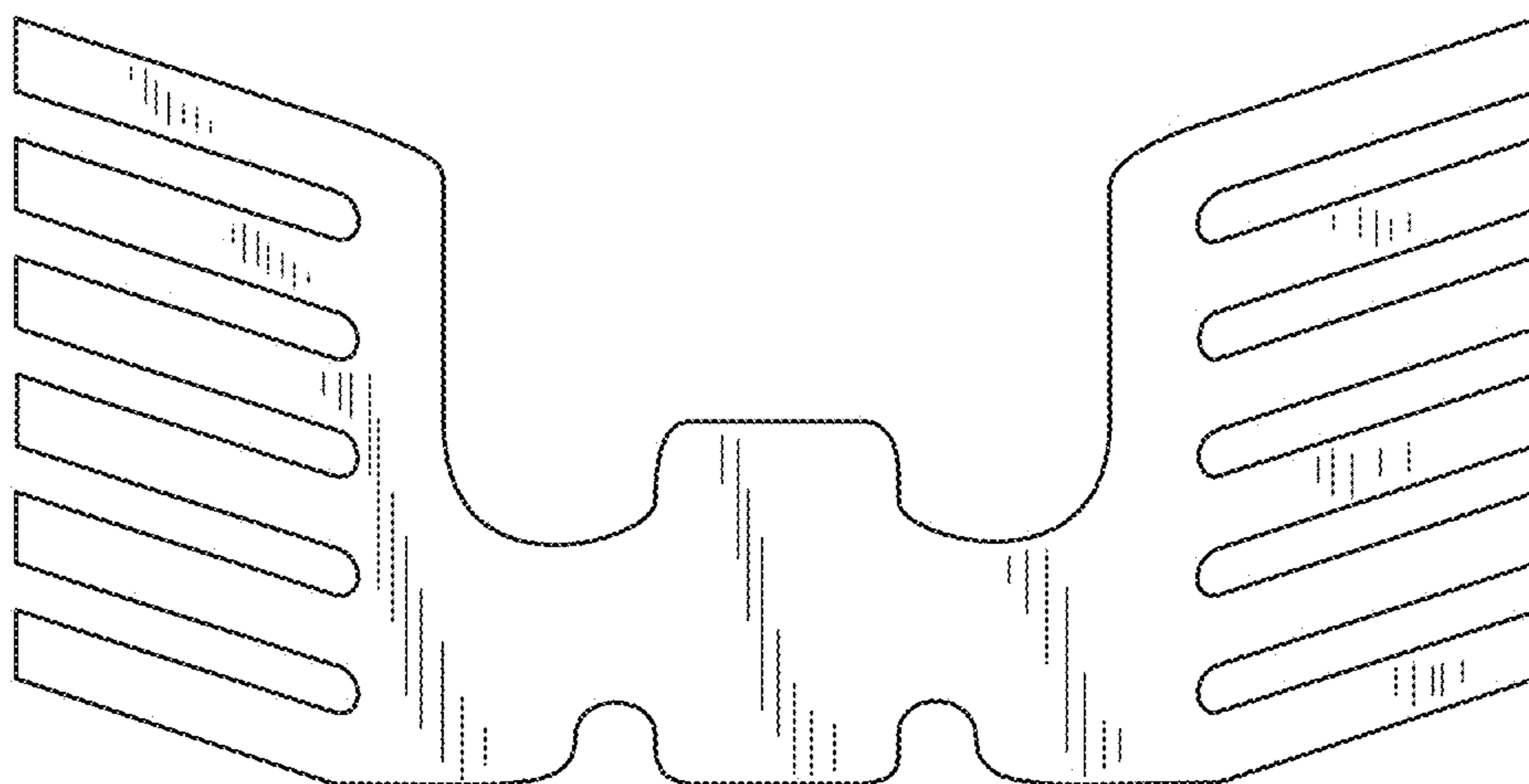


FIG. 5

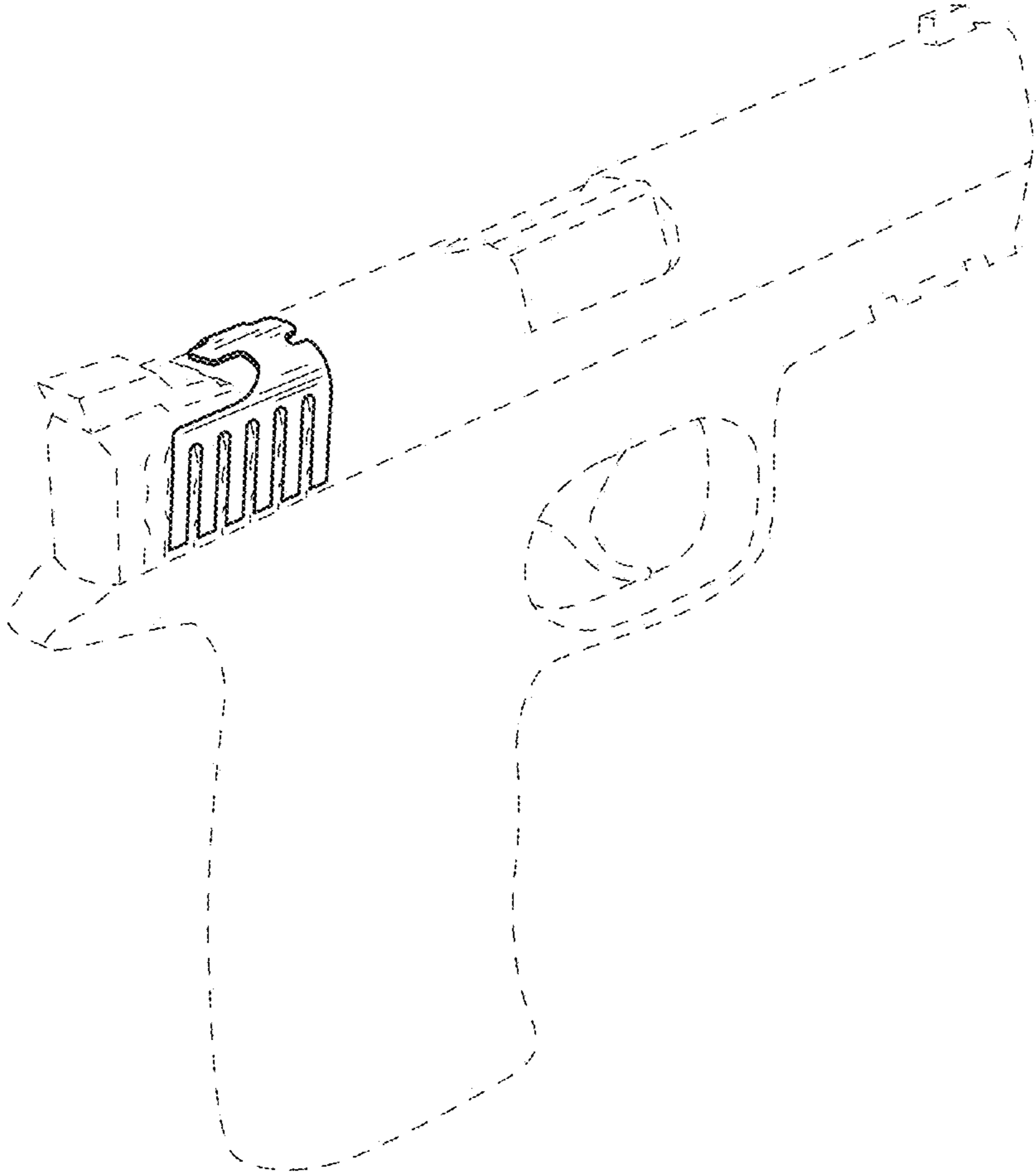


FIG.6

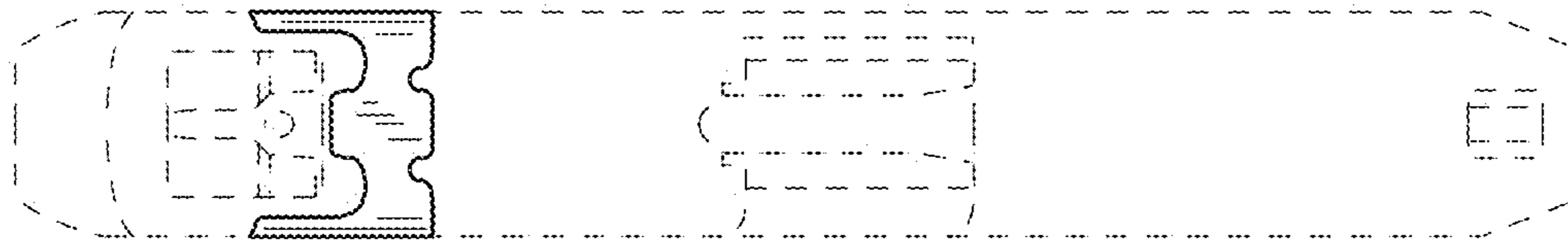


FIG.7

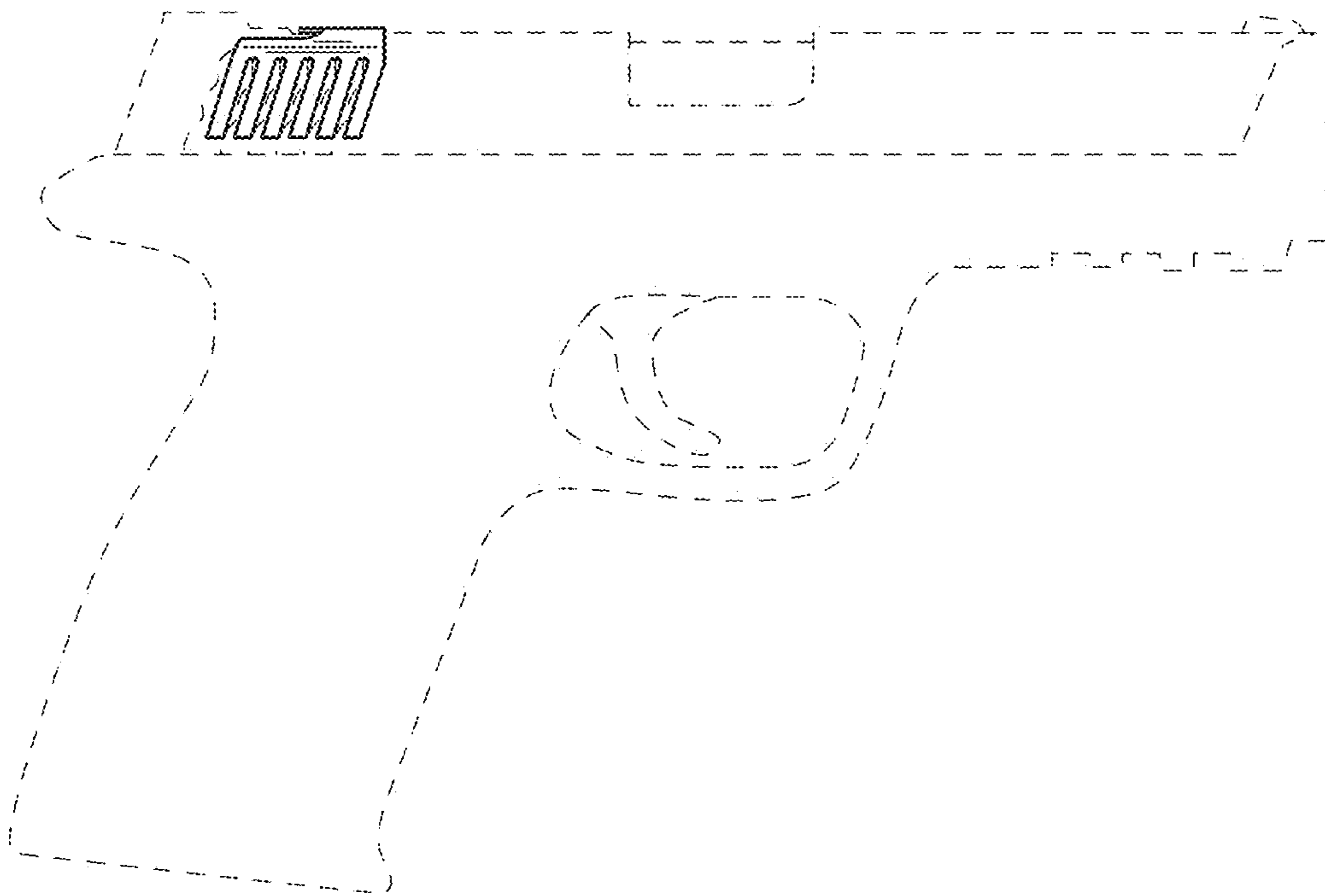


FIG.8