



US00D757880S

(12) **United States Design Patent**
Biedenbach et al.

(10) **Patent No.:** **US D757,880 S**

(45) **Date of Patent:** **** May 31, 2016**

(54) **GUN SLIDE GRIP**

(71) Applicant: **Arachnigrip LLC**, Parker, CO (US)

(72) Inventors: **Robert Colton Biedenbach**, Parker, CO (US); **Donald Hoekendorf**, Parker, CO (US)

(73) Assignee: **Arachnigrip LLC**, Parker, CO (US)

(**) Term: **14 Years**

(21) Appl. No.: **29/511,820**

(22) Filed: **Dec. 15, 2014**

(51) **LOC (10) Cl.** **22-01**

(52) **U.S. Cl.**
USPC **D22/108**

(58) **Field of Classification Search**
USPC D22/108; D25/190
CPC F41C 3/14; F41C 3/16; F41C 3/04
See application file for complete search history.

(56) **References Cited**

U.S. PATENT DOCUMENTS

| | | | | |
|-----------|------|--------|-----------------|-----------------------------|
| 2,718,033 | A | 9/1955 | Burke | |
| 4,145,065 | A | 3/1979 | Kupka | |
| 4,310,509 | A | 1/1982 | Berglund | |
| 4,460,187 | A | 7/1984 | Shimizu | |
| 4,504,549 | A | 3/1985 | Pines | |
| 4,568,566 | A | 2/1986 | Tolentino | |
| 4,613,537 | A | 9/1986 | Krupper | |
| 5,622,759 | A | 4/1997 | Fuster | |
| 6,416,604 | B1 | 7/2002 | Nootbaar | |
| 6,755,350 | B2 | 6/2004 | Rochford et al. | |
| 6,783,692 | B2 | 8/2004 | Bhagwagar | |
| 6,855,651 | B2 | 2/2005 | Yu | |
| 7,014,910 | B2 | 3/2006 | Rochford et al. | |
| D560,750 | S | 1/2008 | Potter | |
| 7,329,232 | B2 * | 2/2008 | Lipshaw | A61F 13/06 128/845 |

| | | | | |
|--------------|-----|---------|-----------------|---------------|
| 7,625,625 | B2 | 12/2009 | Rios et al. | |
| 7,897,233 | B2 | 3/2011 | Esposito et al. | |
| D696,784 | S * | 12/2013 | Ibrahim | D24/190 |
| D702,308 | S | 4/2014 | Glock | |
| D731,069 | S * | 6/2015 | Bialek | D24/190 |
| 2003/0027475 | A1 | 2/2003 | Yu | |
| 2003/0211900 | A1 | 11/2003 | Novak | |

(Continued)

OTHER PUBLICATIONS

www.AR15.com, Glock non skid tape, Jul. 15, 2014.

(Continued)

Primary Examiner — Michael A Pratt

(74) *Attorney, Agent, or Firm* — Marsh Fischmann & Breyfogle LLP

(57) **CLAIM**

The ornamental design for the gun slide grip, as shown and described.

DESCRIPTION

FIG. 1 is a front view of the gun slide grip.
 FIG. 2 is a rear view of the gun slide grip.
 FIG. 3 is a left side view of the gun slide grip.
 FIG. 4 is a right side view of the gun slide grip.
 FIG. 5 is a top view of the gun slide grip.
 FIG. 6 is a side perspective view of the gun slide grip disposed on a gun slide.
 FIG. 7 is a top view of the gun slide grip disposed on a gun slide; and,
 FIG. 8 is a side view of the gun slide grip disposed on a gun slide.

The broken lines depict environmental and non-claimed subject matter and form no part of the claimed design.
 The bottom view of the gun slide grip is omitted as being merely duplicative of the provided figures.

1 Claim, 3 Drawing Sheets



(56)

References Cited

OTHER PUBLICATIONS

U.S. PATENT DOCUMENTS

2003/0232900 A1 12/2003 Irifune
2005/0181164 A1 8/2005 Piumarta et al.
2007/0178282 A1 8/2007 Miekka
2009/0162596 A1 6/2009 Rios et al.
2009/0162651 A1 6/2009 Rios et al.
2010/0183814 A1 7/2010 Rios et al.
2011/0072705 A1* 3/2011 Simpkins B25F 1/04
42/59
2011/0289812 A1 12/2011 Losinger
2013/0180152 A1* 7/2013 Speroni F41C 27/00
42/99
2013/0248089 A1 9/2013 Su et al.
2014/0047753 A1* 2/2014 Grossman F41A 3/66
42/72

www.ebay.com, MAK0 FAB Tactic-Skin Pistol Gun Slide Cover
Anti Slip Grip Glock, Jul. 15, 2014.
www.xdtalk.com, Anybody use non-skid tape on their grips?, Jul. 15,
2014.
NRA, Police Pistol Combat Program Bulletin, Anti-Slip Tape on
Slide Sides, Aug. 6, 2012.
www.americanrifleman.org, Handi-Racker Slide Assist Device, Jul.
15, 2014.

* cited by examiner

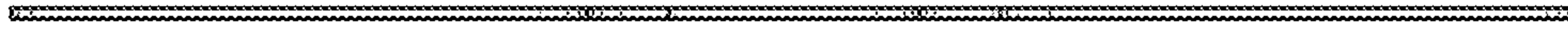


FIG.1



FIG.2

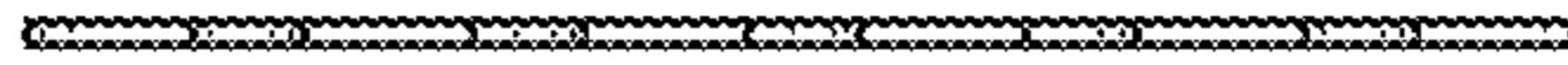


FIG.3



FIG.4

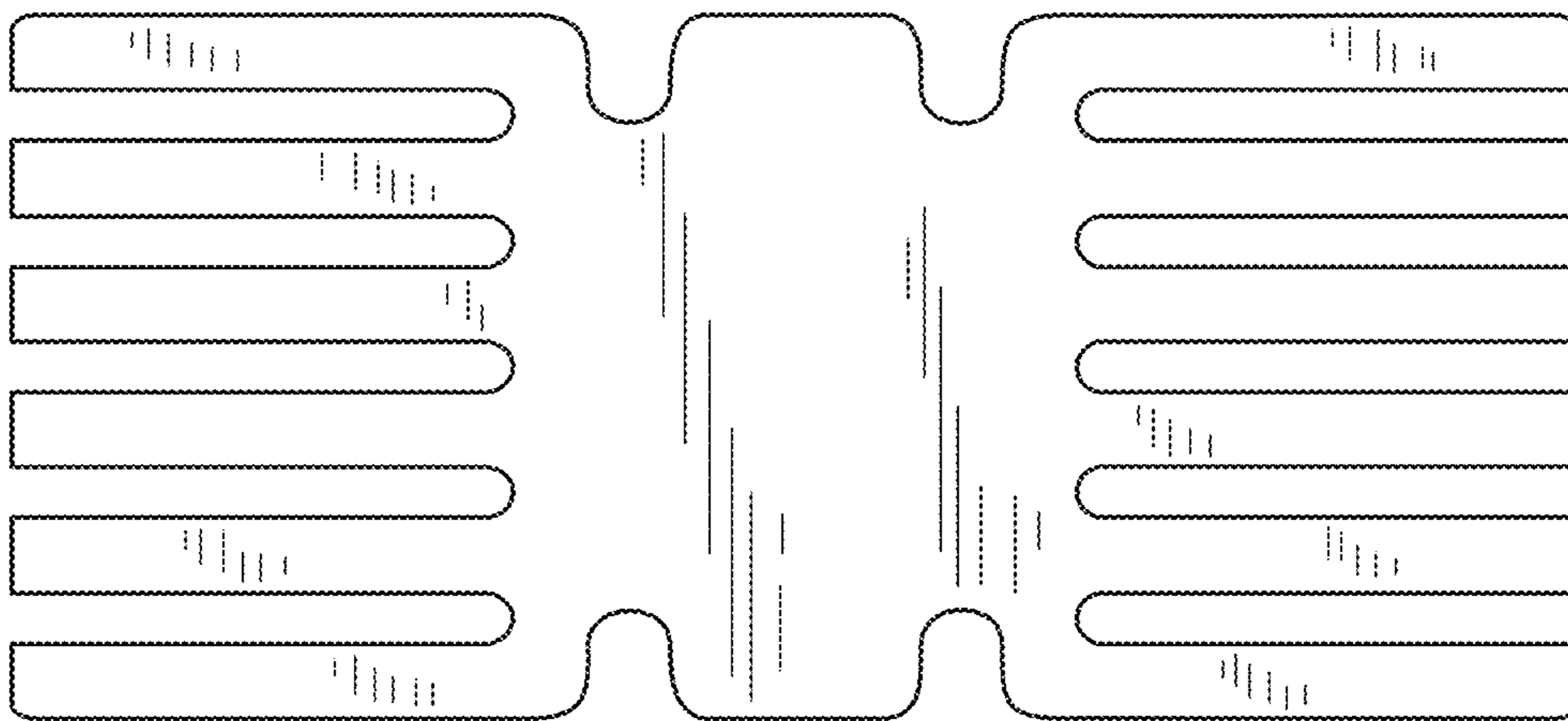


FIG.5

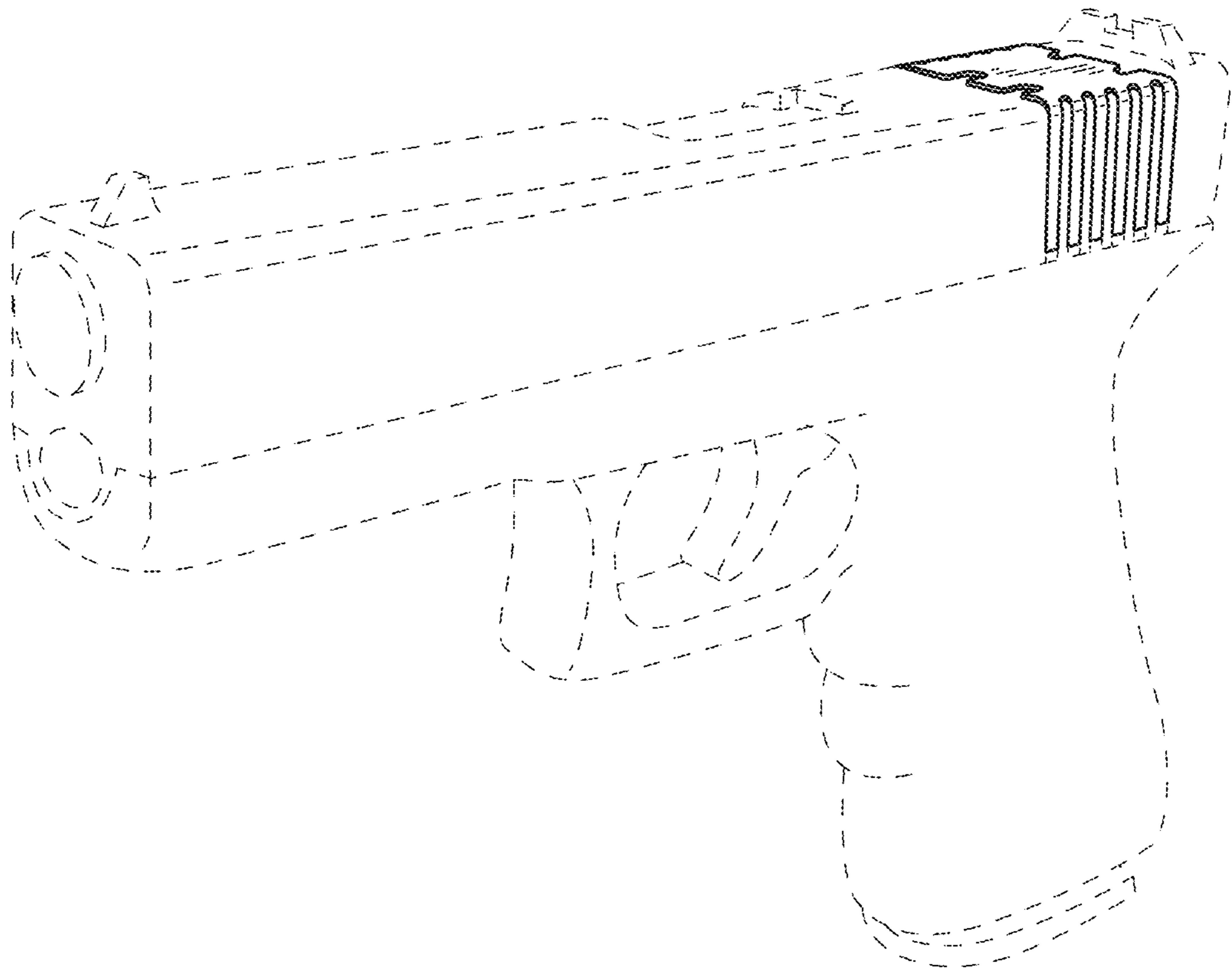


FIG.6



FIG. 7

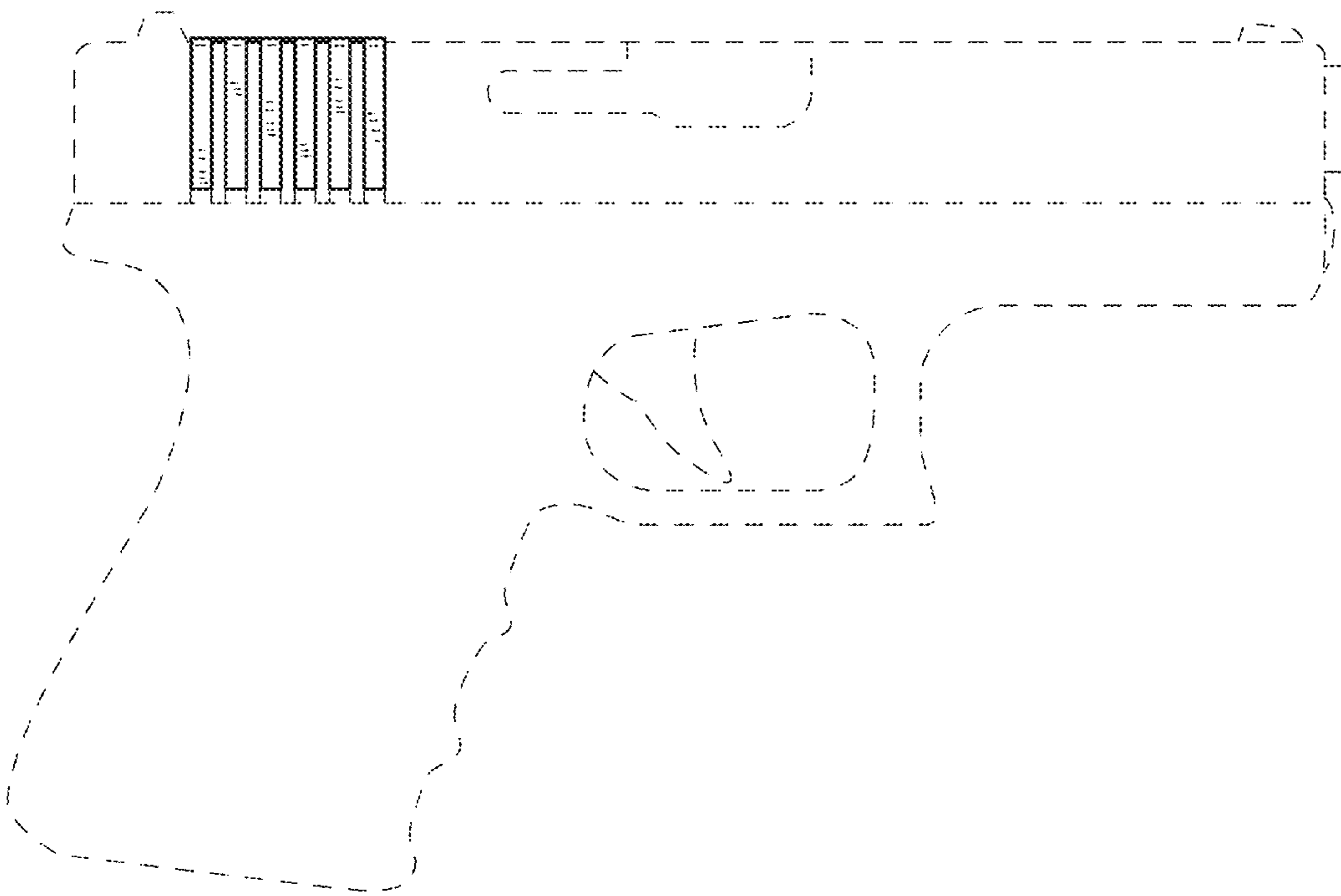


FIG. 8