



US00D757878S

(12) **United States Design Patent**  
**Barfoot et al.**

(10) **Patent No.:** **US D757,878 S**  
(45) **Date of Patent:** **\*\* May 31, 2016**

(54) **HAND GUARD FOR A FIREARM**

FOREIGN PATENT DOCUMENTS

(71) Applicant: **Magpul Industries Corporation**,  
Louisville, CO (US)

FR 2751062 5/1996  
WO WO 2004/085950 10/2004

(72) Inventors: **Grady Barfoot**, Denver, CO (US);  
**Michael T. Mayberry**, Denver, CO (US)

OTHER PUBLICATIONS

(73) Assignee: **Magpul Industries Corporation**,  
Louisville, CO (US)

BravoCompanyUSA\_com\_2007\_M4\_Hand\_Gaurd  
BravoCompanyUSA.com (Oct. 15, 2007) M4 Hand Gaurd; Website  
[Online] Available Web Site: <http://www.bravocompanyusa.com/M4-Handguards-Black-p/bcm%20handguards%20m4%20black.htm>;  
Last Update: Feb. 19, 2008; Accessed on Feb. 23, 2011.

(Continued)

(\*\*) Term: **14 Years**

*Primary Examiner* — Michael A Pratt

(21) Appl. No.: **29/511,748**

(74) *Attorney, Agent, or Firm* — Swanson & Bratschun,  
L.L.C.

(22) Filed: **Dec. 12, 2014**

(51) **LOC (10) Cl.** ..... **22-01**

(57) **CLAIM**

The ornamental design for a hand guard for a firearm, as shown and described.

(52) **U.S. Cl.**

USPC ..... **D22/108**

**DESCRIPTION**

(58) **Field of Classification Search**

USPC ..... D22/108; D8/68

CPC ..... F41C 23/10; F41C 23/14; F41C 23/16;  
F41C 23/18

See application file for complete search history.

FIG. 1 is a front, left, bottom perspective view of a hand guard for a firearm attached to a firearm showing our new design; FIG. 2 is a front, left, bottom perspective view of the hand guard for a firearm of FIG. 1;

FIG. 3 is a left side elevation view of the hand guard for a firearm of FIG. 1, the right side elevation view being a mirror image thereof;

FIG. 4 is a bottom plan view of the hand guard for a firearm of FIG. 1;

FIG. 5 is a top plan view of the hand guard for a firearm of FIG. 1;

FIG. 6 is a front elevation view of the hand guard for a firearm of FIG. 1; and,

FIG. 7 is a rear elevation view of the hand guard for a firearm of FIG. 1.

The broken lines showing portions of the design in all figures are included for the purpose of illustrating environment and unclaimed features and form no part of the claimed design.

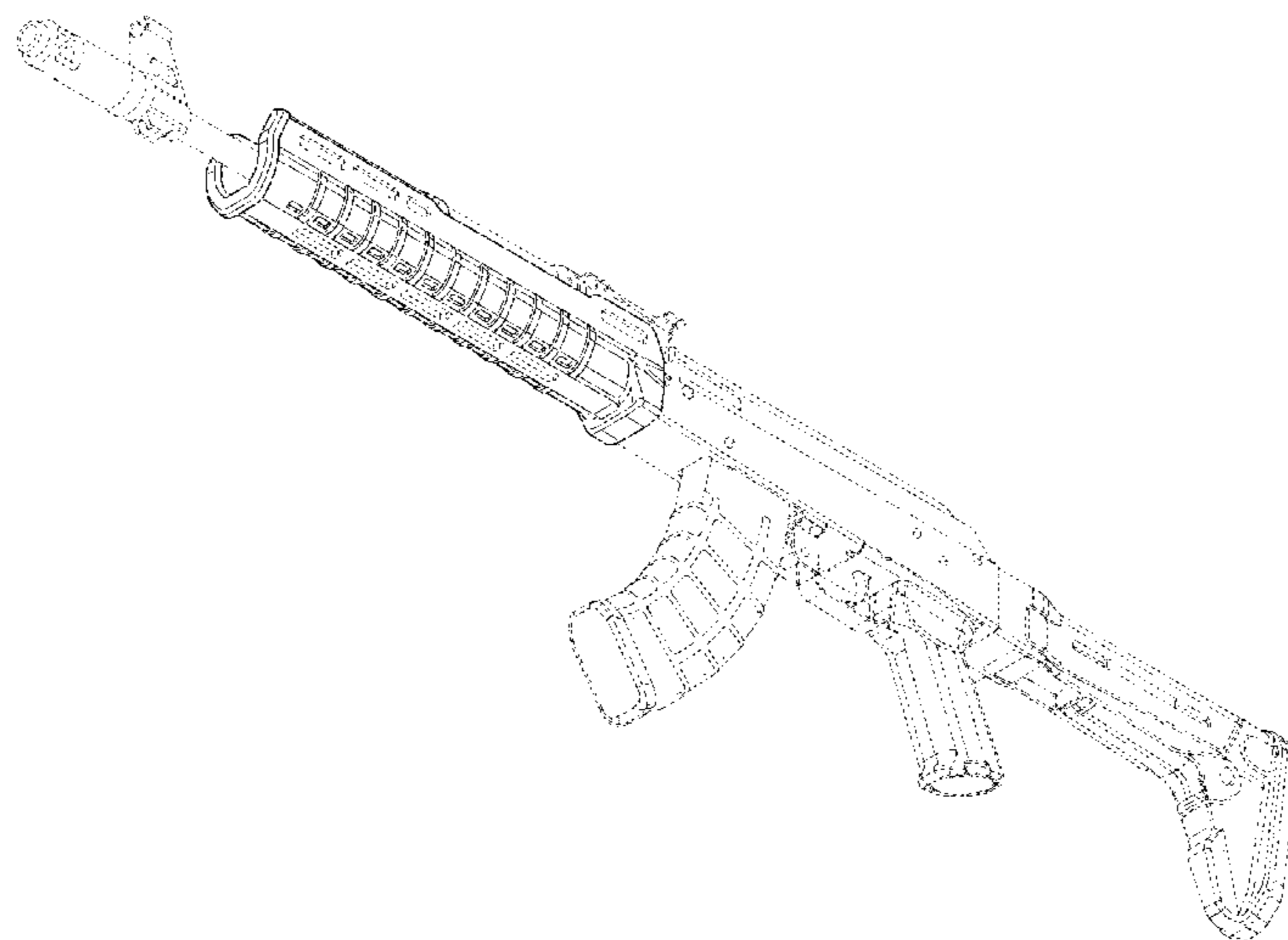
(56) **References Cited**

U.S. PATENT DOCUMENTS

2,023,929	A	12/1935	Loomis
3,242,608	A	3/1966	Heppard
3,512,290	A	5/1970	Violette, Jr.
4,406,080	A	9/1983	Badali
4,536,982	A	8/1985	Bredbury
4,663,875	A	5/1987	Tatro
D297,450	S	8/1988	Florida
5,010,676	A	4/1991	Kennedy
6,243,978	B1	6/2001	Vignaroli
6,609,321	B2	8/2003	Faifer
D486,547	S	2/2004	Faifer

(Continued)

**1 Claim, 4 Drawing Sheets**



(56)

**References Cited**

U.S. PATENT DOCUMENTS

D507,619	S	7/2005	Shiloni	
7,571,671	B2	8/2009	Engel	
D615,142	S	5/2010	Bentley	
D636,453	S	4/2011	Fitzpatrick	
8,051,595	B2	11/2011	Hochstrate	
D656,215	S	3/2012	Fitzpatrick	
D672,838	S	12/2012	Mayberry	
8,448,367	B2	5/2013	Samson	
8,522,468	B2	9/2013	Webber	
D708,694	S	7/2014	Wells	
D710,964	S	8/2014	Chvala	
D718,405	S	11/2014	Fitzpatrick	
D722,356	S	2/2015	Keller	
D728,722	S	5/2015	Peterson	
D728,723	S	5/2015	Peterson	
9,121,664	B2	9/2015	Fitzpatrick	
D745,627	S *	12/2015	Kielsmeier	D22/108
D750,188	S *	2/2016	Fitzpatrick	D22/108
2011/0119982	A1	5/2011	Webber	
2012/0198990	A1 *	8/2012	Brittin	F41A 5/26 89/191.01
2013/0205636	A1 *	8/2013	Shull	F41C 23/16 42/72
2014/0157639	A1	6/2014	Larson	
2014/0196342	A1	7/2014	Syngelas	
2014/0331538	A1 *	11/2014	Spiegelhauer	F41C 23/16 42/71.01

OTHER PUBLICATIONS

Bushmaster\_com\_Disassembly\_Views\_AR15\_Rifle  
 Bushmaster.com ; Disassembly Views of the Bushmaster AR15 Rifle;  
 Website [Online] Available Web Site: [http://www.bushmaster.com/  
 documentation/AR51%20PBRifleBBLAssembly.pdf](http://www.bushmaster.com/documentation/AR51%20PBRifleBBLAssembly.pdf); Last Update:  
 unknown; Accessed on May 9, 2011.

Bushmaster\_com\_2007\_Schematic\_Parts\_Poster\_M4A3\_Car-  
 bine Bushmaster.com (2007) Schematic Parts Poster for Bushmaster  
 M4A3 Carbine; Website [Online] Available Web Site: [http://www.  
 bushmaster.com/electronic-documents/2007Catalogv1/Page40-  
 41Schematic2007.pdf](http://www.bushmaster.com/electronic-documents/2007Catalogv1/Page40-41Schematic2007.pdf); Last Update: unknown; Accessed on May 9,  
 2011.

DSArms\_com\_SA58\_FAL\_Spartan\_Tactical\_Rifle DSArms.  
 com, SA58 FAL Spartan Tactical Rifle .308 Caliber—  
 SA58SPNTAC; Website [Online] Available Web Site: [http://www.  
 dsarms.com/SA58-FAL-Spartan-Tactical-Rifle-308-Caliber---  
 SA58SPNTAC/productinfo/SA58SPNTAC/](http://www.dsarms.com/SA58-FAL-Spartan-Tactical-Rifle-308-Caliber---SA58SPNTAC/productinfo/SA58SPNTAC/); Last Update:  
 unknown; Accessed on Feb. 23, 2011.

Krebs\_Custom\_2014\_KV-13 Krebs Custom (Sep. 10, 2014) Krebs  
 Custom KV-13; Website [Online] Available Website: [http://www.  
 krebscustom.com/kv-13.aspx](http://www.krebscustom.com/kv-13.aspx); Last Update: Unknown; Accessed on:  
 Mar. 6, 2014.

Krebs\_Custom\_2013\_AK\_Forend Krebs Custom (Dec. 26, 2013)  
 AK Forend; Website [Online] Available Website: [http://www.  
 krebscustom.com/ak-forend.aspx](http://www.krebscustom.com/ak-forend.aspx); Last Update: Unknown; Accessed  
 on: Mar. 6, 2015.

Mossberg\_Owners\_Manual\_PartNo\_12173\_Rev\_H Mossberg  
 Owners Manual for 500, 835 and 590 Model Pump Action Shotguns,  
 Part No. 12173, Rev. H.

Design U.S. Appl. No. 29/500,587, “Firearm Foregrip” filed Aug. 26,  
 2014.

U.S. Appl. No. 14/094,176, “Forend for a Pump Action Firearm” filed  
 Dec. 2, 2013.

Design U.S. Appl. No. 29/487,942, “Hand Guard for a Firearm” filed  
 Apr. 14, 2014.

Design U.S. Appl. No. 29/511,753, “Hand Guard Upper for a Fire-  
 arm” filed Dec. 12, 2014.

Design U.S. Appl. No. 29/511,760, “Hand Guard for a Firearm” filed  
 Dec. 12, 2014.

Design U.S. Appl. No. 29/511,992, “Hand Guard for a Firearm” filed  
 Dec. 16, 2014.

\* cited by examiner

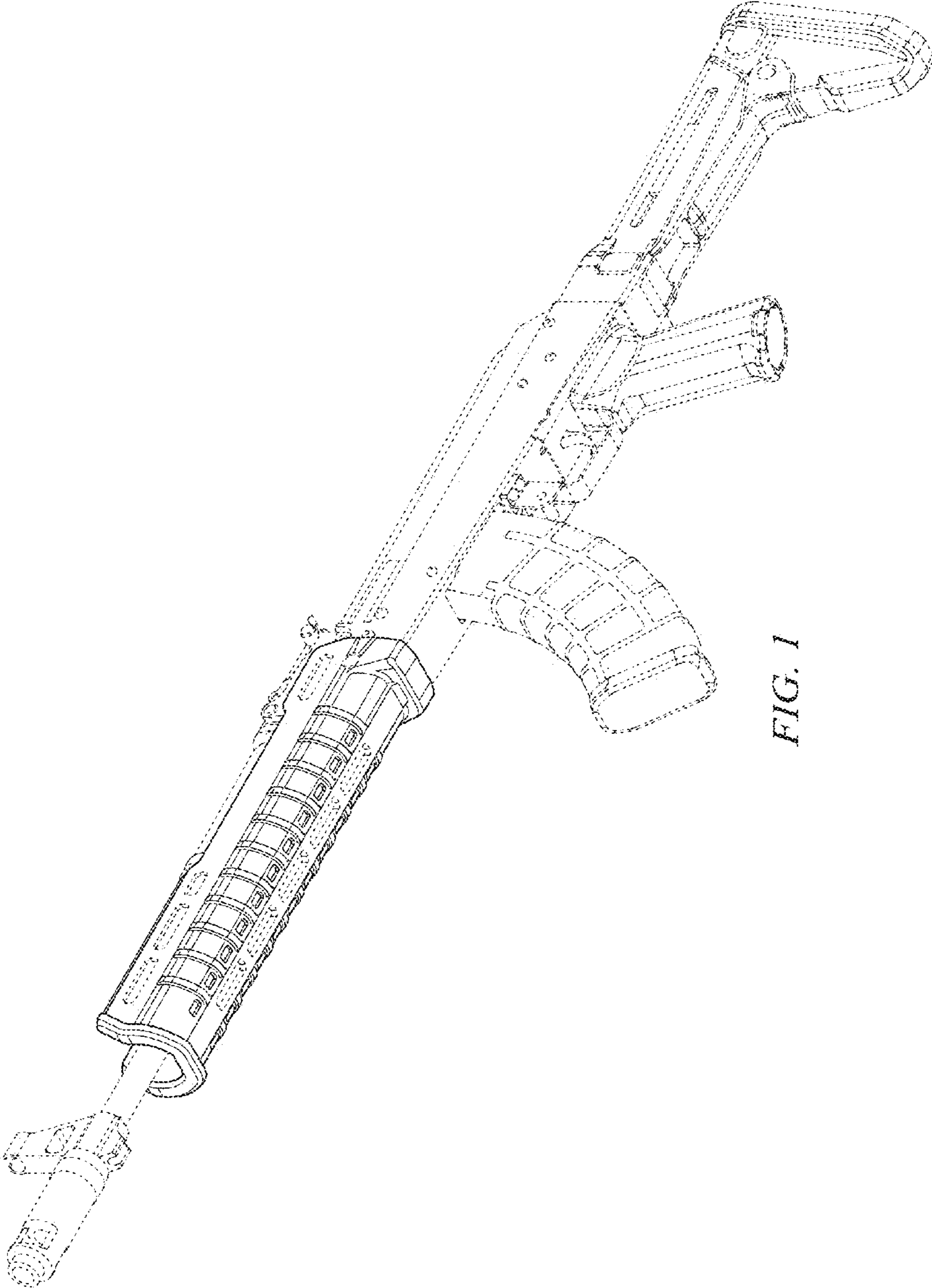


FIG. 1



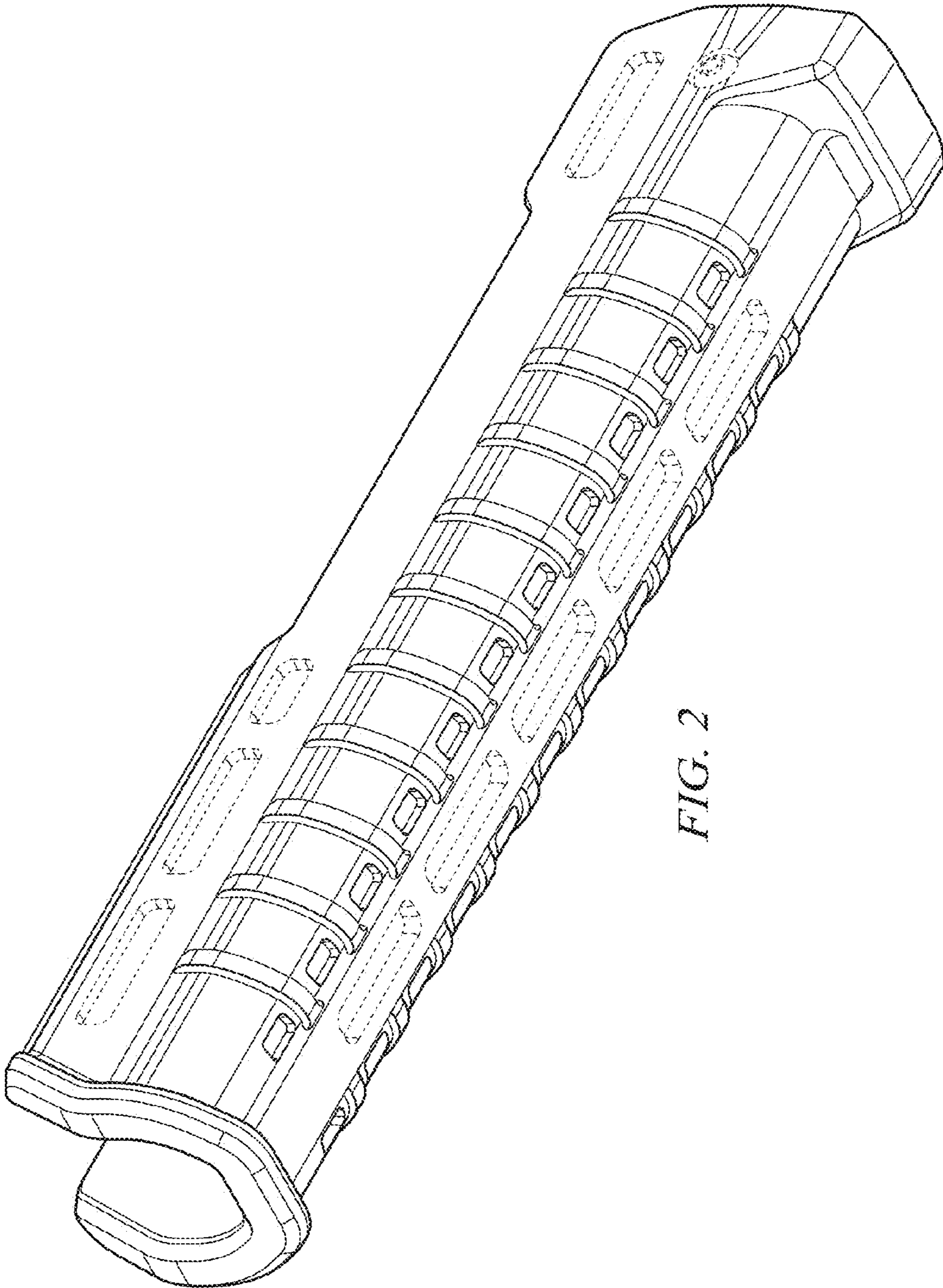


FIG. 2

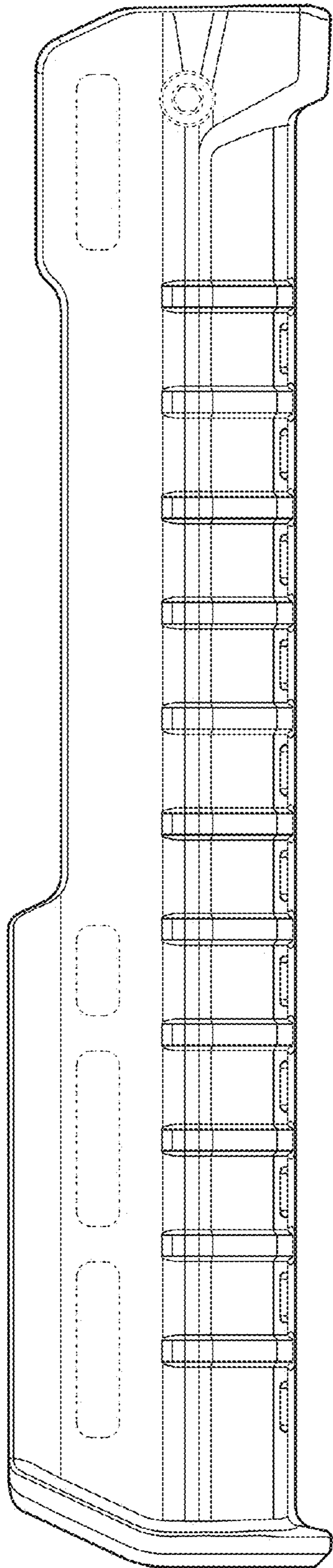


FIG. 3

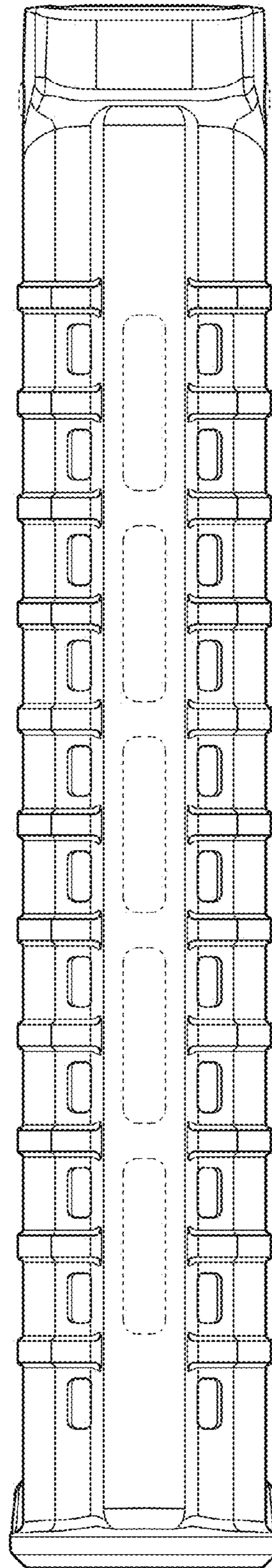


FIG. 4

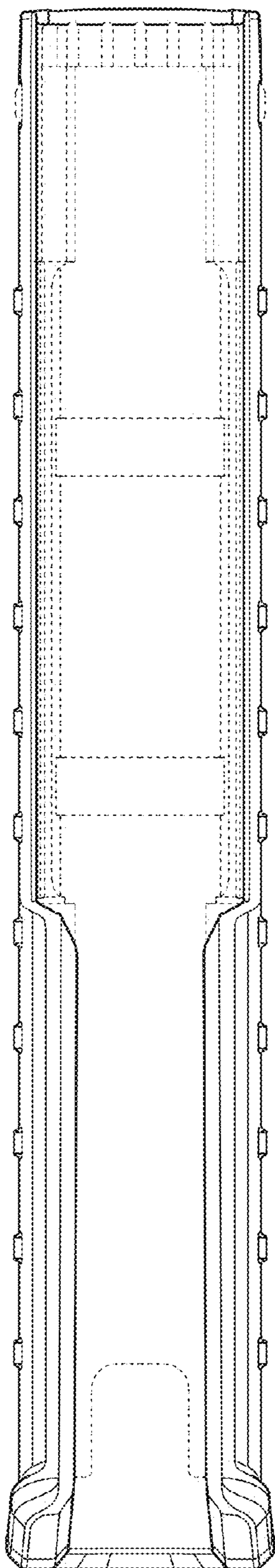


FIG. 5

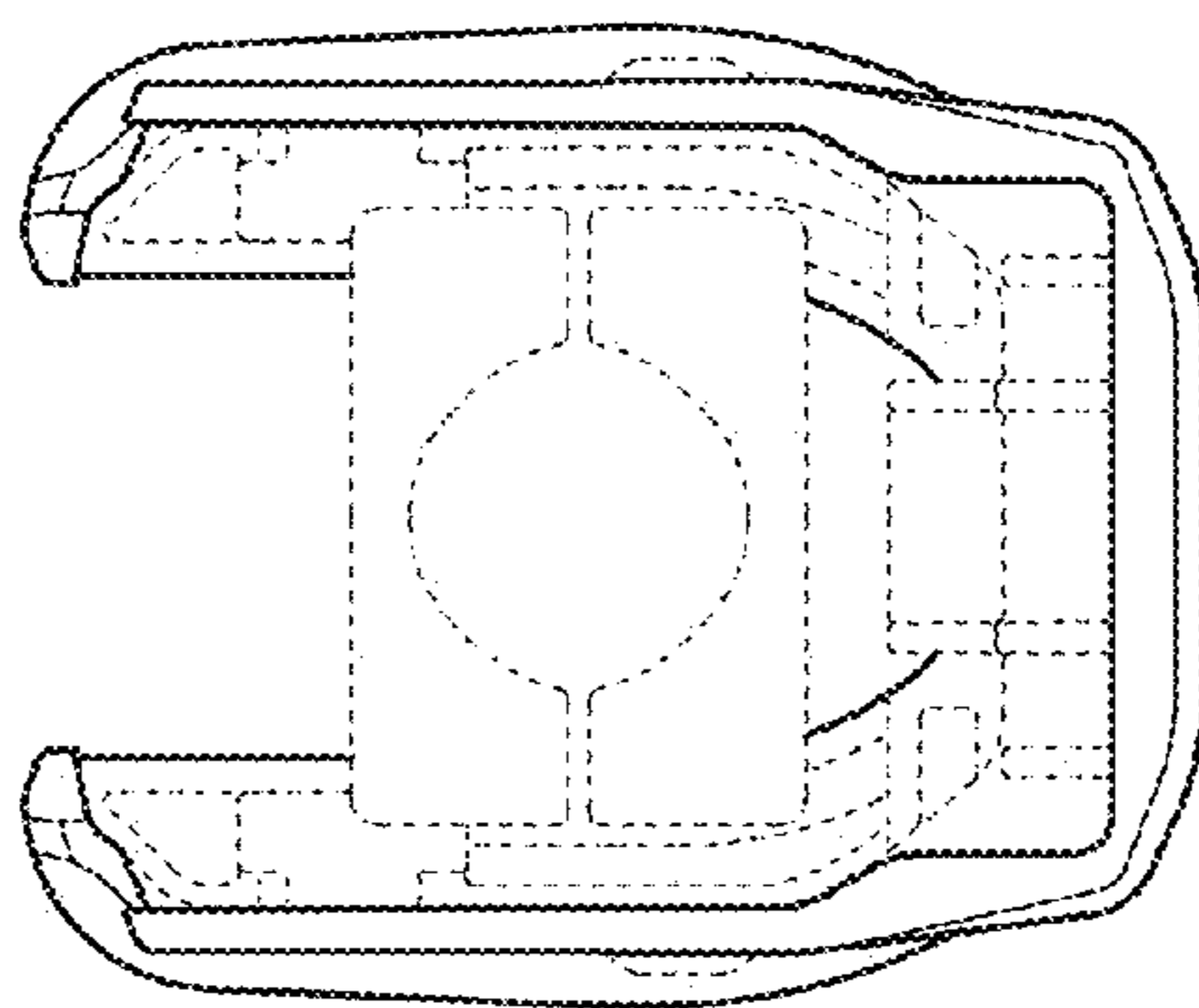


FIG. 7

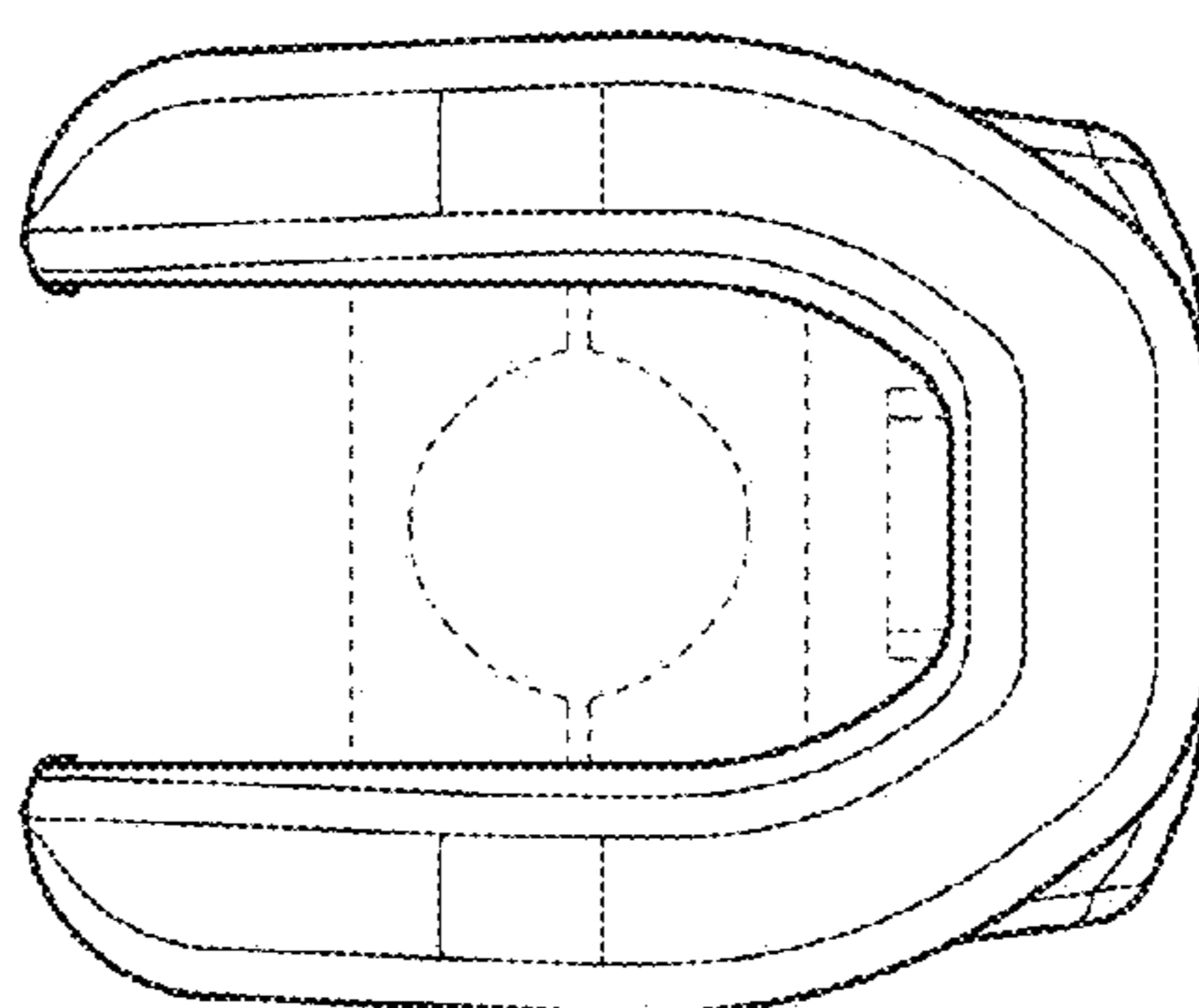


FIG. 6