



US00D757877S

(12) **United States Design Patent**  
**Huang et al.**

(10) **Patent No.:** **US D757,877 S**  
(45) **Date of Patent:** **\*\* May 31, 2016**

(54) **PIN FOR A FIREARM**

(71) Applicants: **George Huang**, Henderson, NV (US);  
**Roger Wang**, Malibu, CA (US)

(72) Inventors: **George Huang**, Henderson, NV (US);  
**Roger Wang**, Malibu, CA (US)

(73) Assignee: **George Huang**, Henderson, NV (US)

(\*\*) Term: **14 Years**

(21) Appl. No.: **29/506,112**

(22) Filed: **Oct. 13, 2014**

**Related U.S. Application Data**

(63) Continuation-in-part of application No. 13/733,995,  
filed on Jan. 4, 2013, now Pat. No. 9,151,555, and a  
continuation of application No. 14/010,741, filed on  
Aug. 27, 2013.

(51) **LOC (10) Cl.** ..... **22-01**

(52) **U.S. Cl.**  
USPC ..... **D22/108**

(58) **Field of Classification Search**  
USPC ..... D22/108  
CPC ..... F41A 3/14; F41A 3/30; F41A 11/02;  
F41C 27/00  
See application file for complete search history.

(56) **References Cited**

**U.S. PATENT DOCUMENTS**

6,212,814 B1 \* 4/2001 Lambie ..... F41A 11/02  
42/75.03  
8,667,882 B1 \* 3/2014 Larson ..... F41A 3/66  
89/140  
8,789,305 B1 \* 7/2014 DiChario ..... F41A 3/66  
42/75.03

**OTHER PUBLICATIONS**

<https://www.youtube.com/watch?v=vcAqNDwT34w>[Sep. 29, 2015  
8:54:01 AM].\*

\* cited by examiner

*Primary Examiner* — Michael A Pratt

(74) *Attorney, Agent, or Firm* — Shaddock Law Group, PC

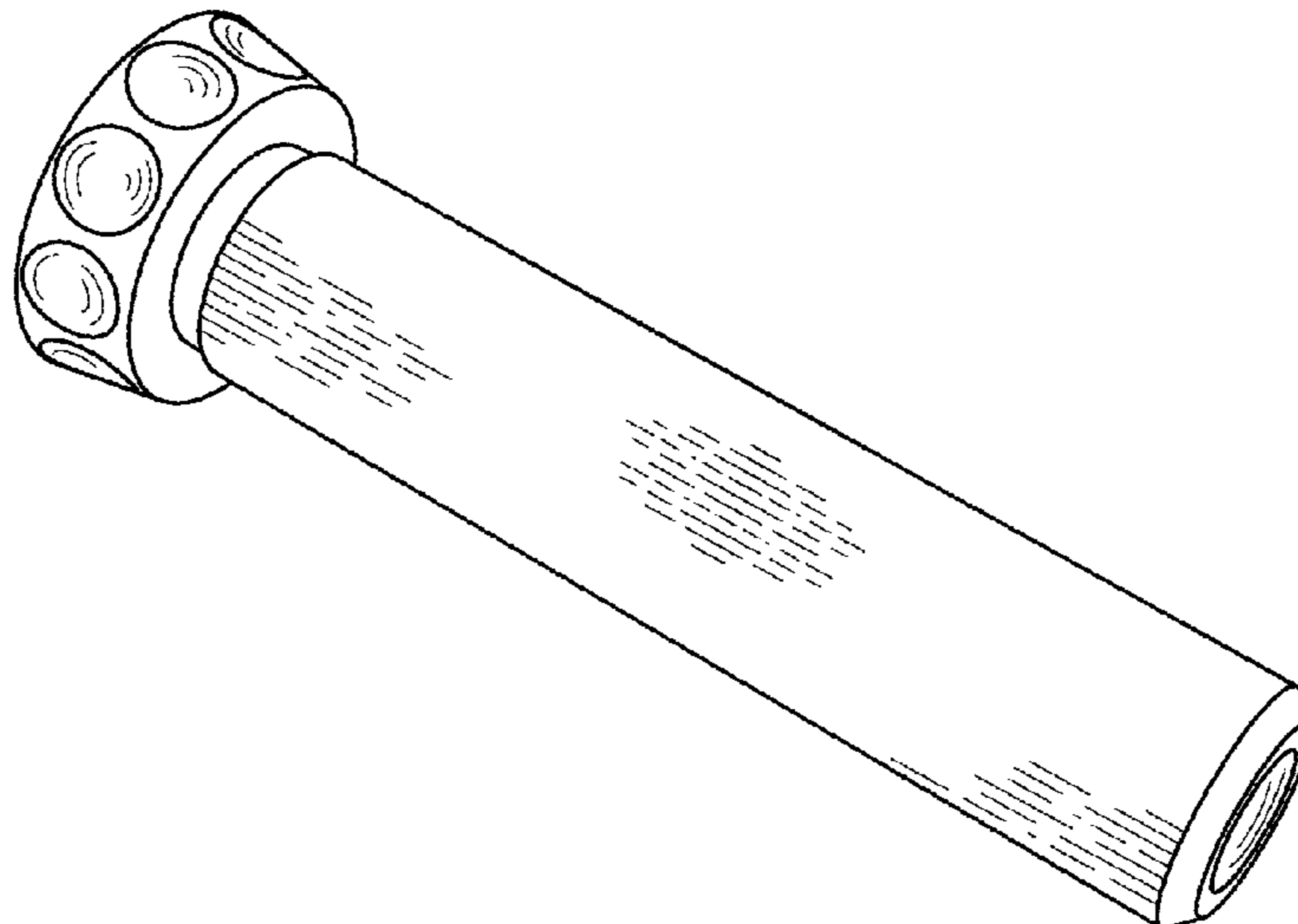
(57) **CLAIM**

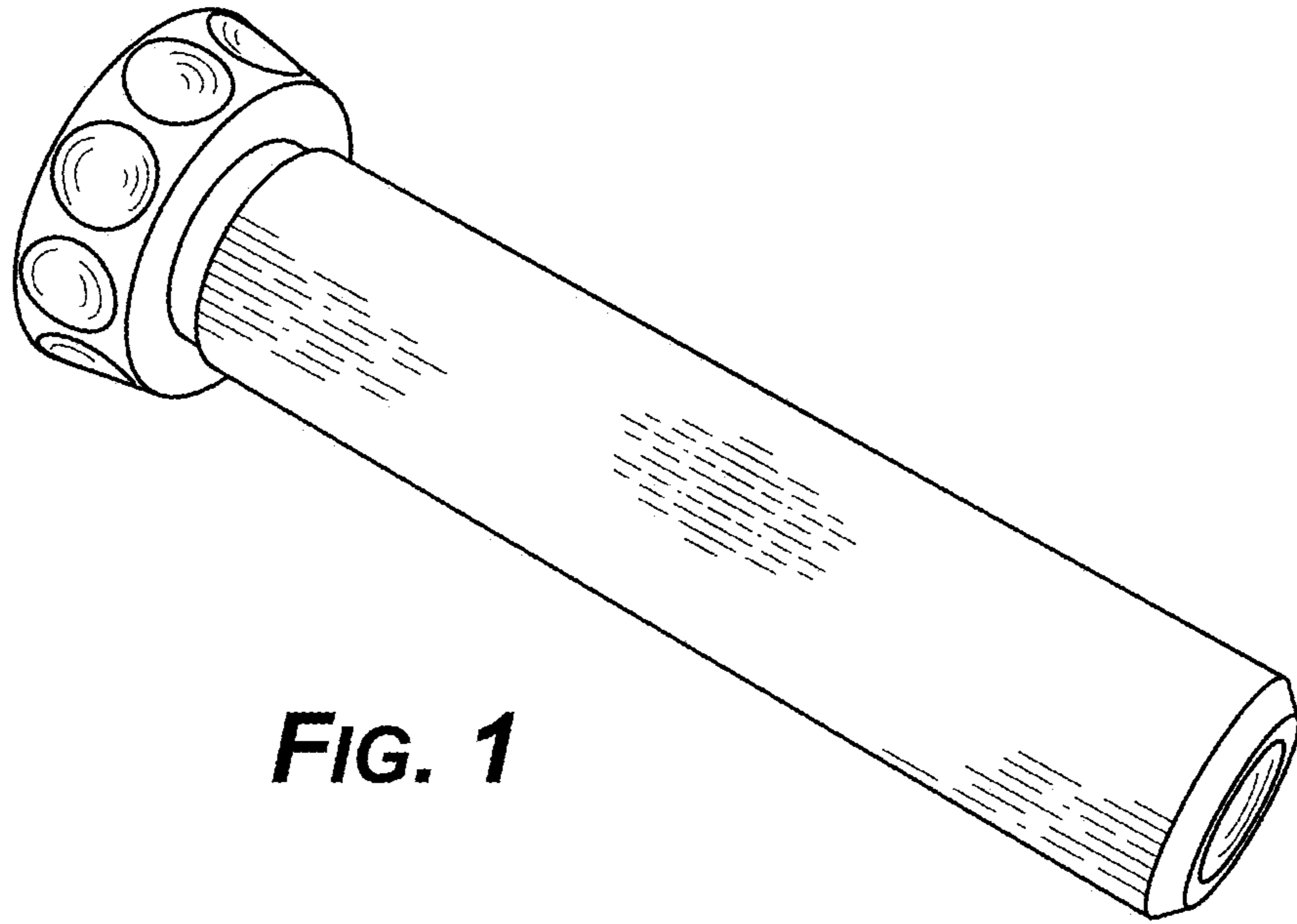
The ornamental design for a pin for a firearm, as shown and  
described.

**DESCRIPTION**

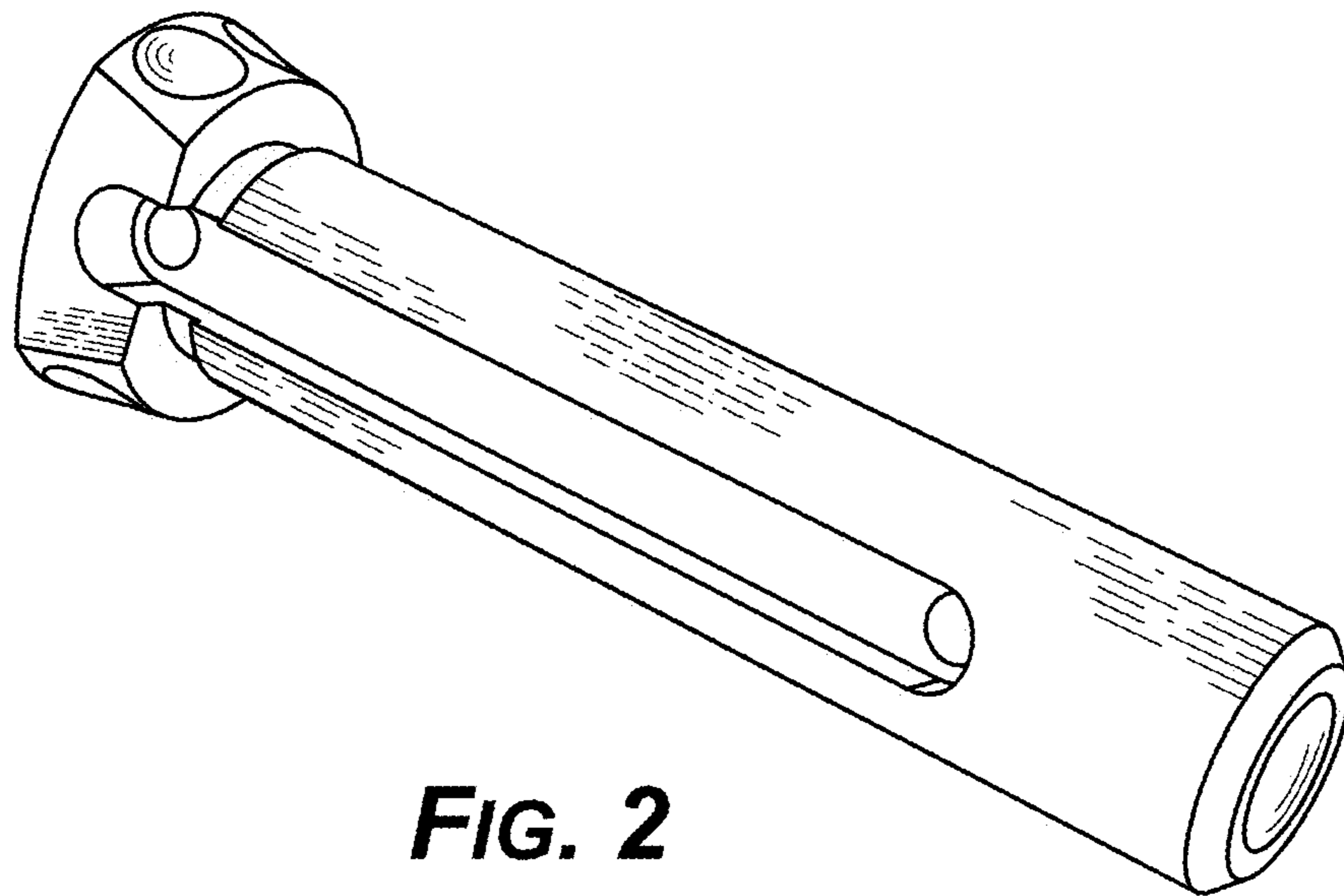
FIG. 1 is a bottom, rear perspective view of a first exemplary  
embodiment of the pin for a firearm, showing our new design;  
FIG. 2 is a bottom, front perspective view thereof;  
FIG. 3 is a top, rear perspective view thereof;  
FIG. 4 is a top, front perspective view thereof;  
FIG. 5 is a rear view thereof;  
FIG. 6 is a front view thereof;  
FIG. 7 is a right side view thereof;  
FIG. 8 is a left side view thereof;  
FIG. 9 is a top view thereof;  
FIG. 10 is a bottom view thereof;  
FIG. 11 is a bottom, rear perspective view of an alternate  
exemplary embodiment of the pin for a firearm, showing our  
new design;  
FIG. 12 is a bottom, front perspective view thereof;  
FIG. 13 is a top, rear perspective view thereof;  
FIG. 14 is a top, front perspective view thereof;  
FIG. 15 is a rear view thereof;  
FIG. 16 is a front view thereof;  
FIG. 17 is a right side view thereof;  
FIG. 18 is a left side view thereof;  
FIG. 19 is a top view thereof; and,  
FIG. 20 is a bottom view thereof.

**1 Claim, 10 Drawing Sheets**

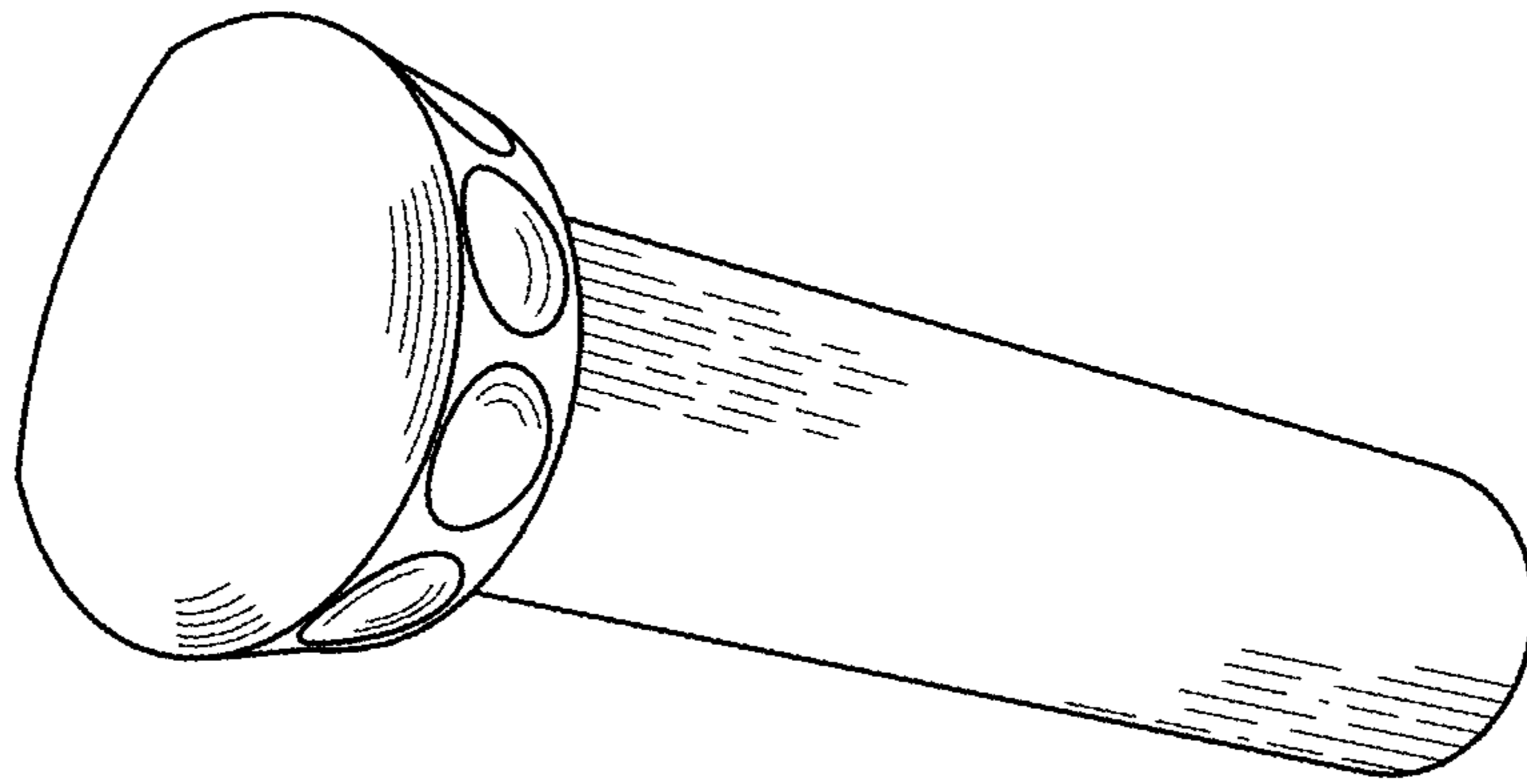




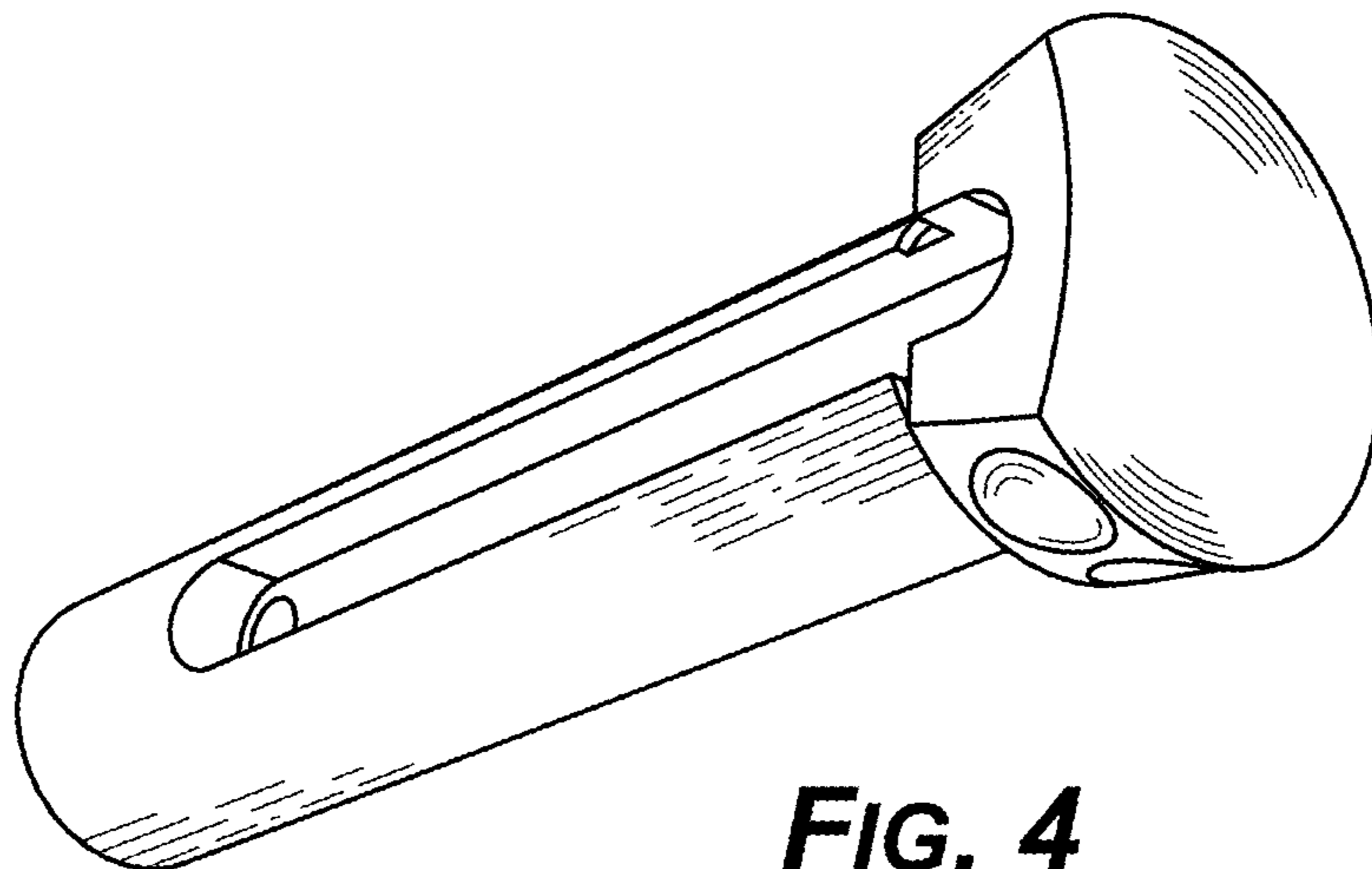
**FIG. 1**



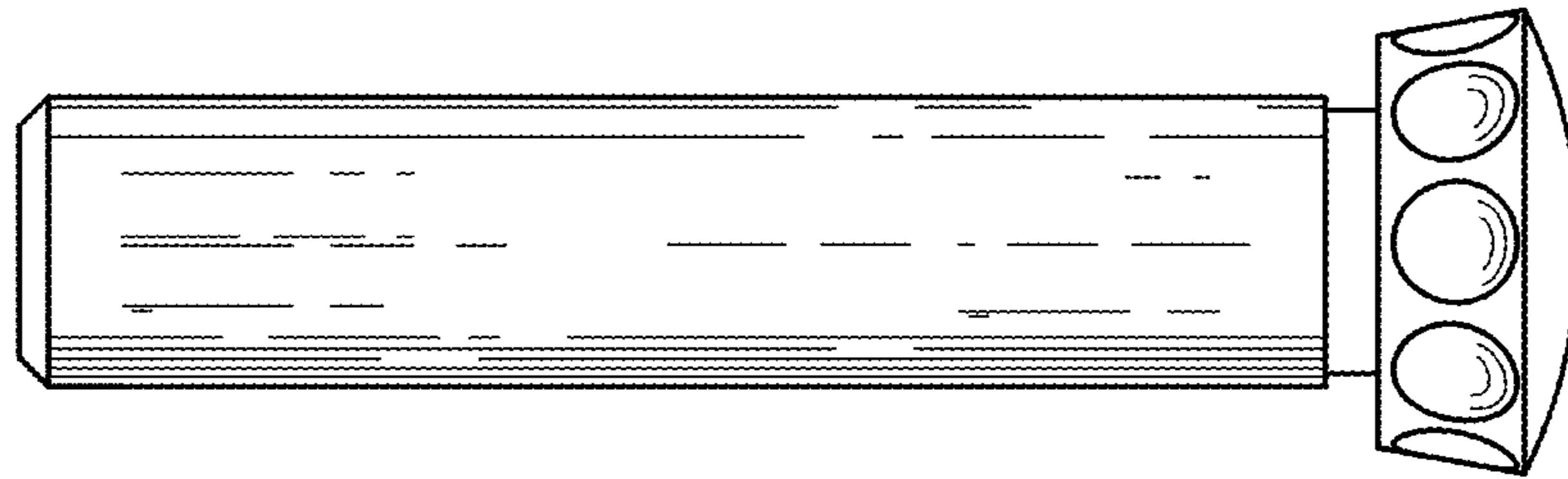
**FIG. 2**



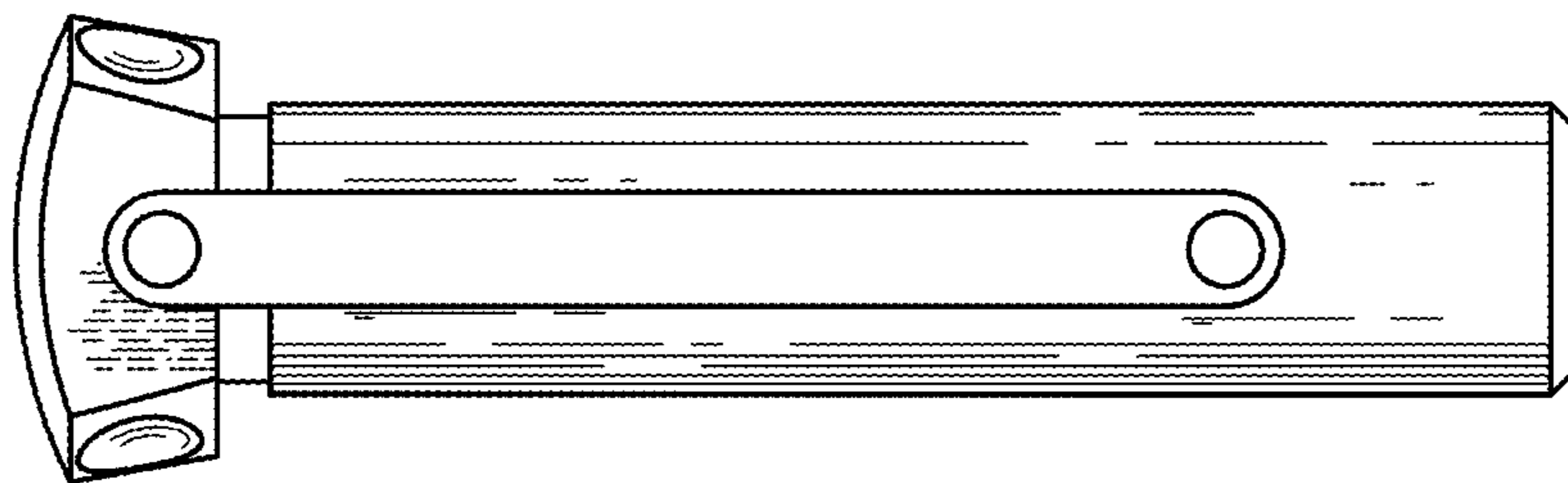
**FIG. 3**



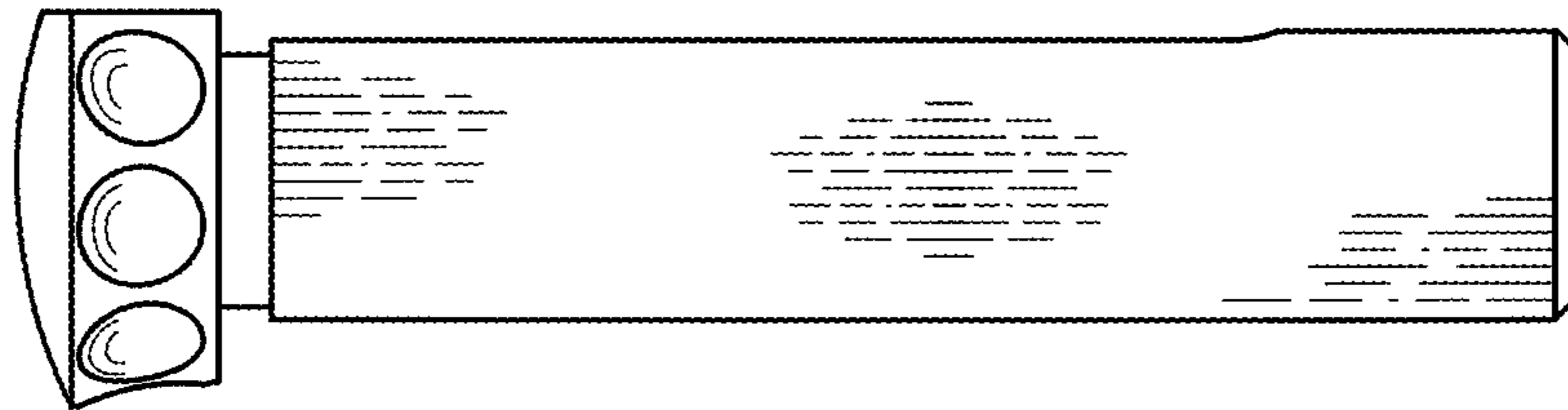
**FIG. 4**



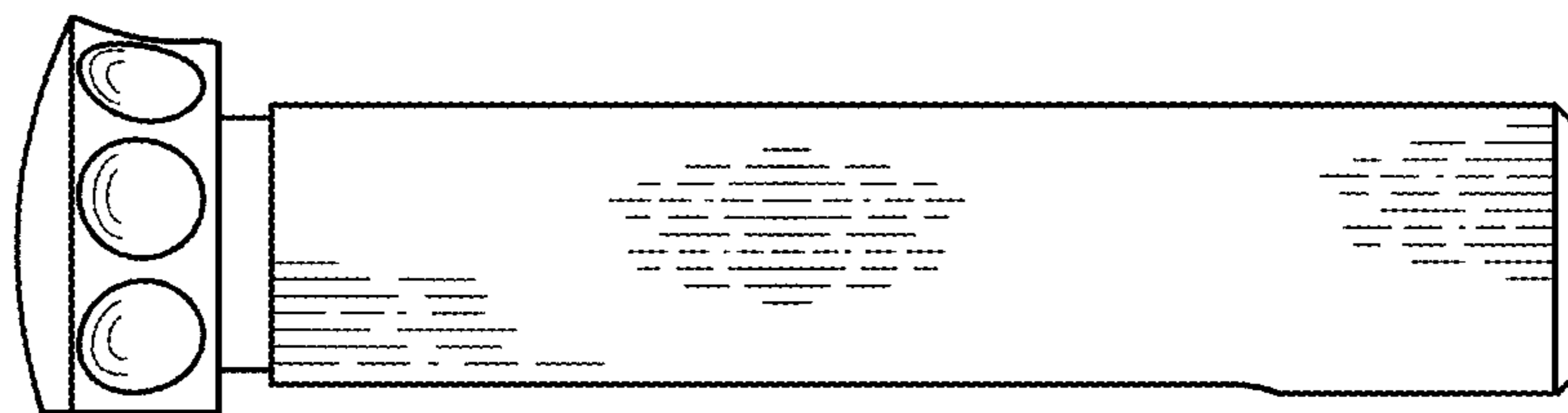
**FIG. 5**



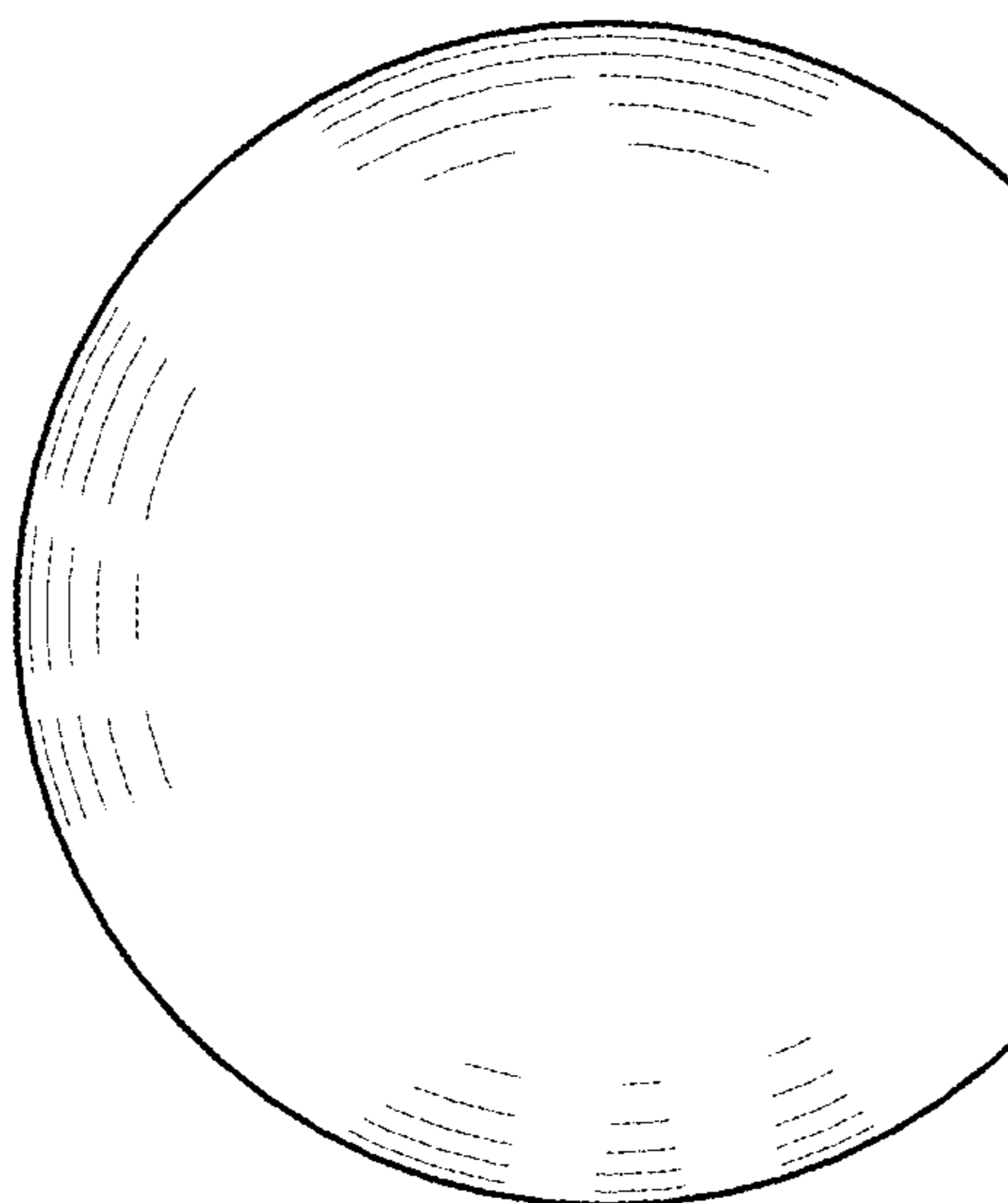
**FIG. 6**



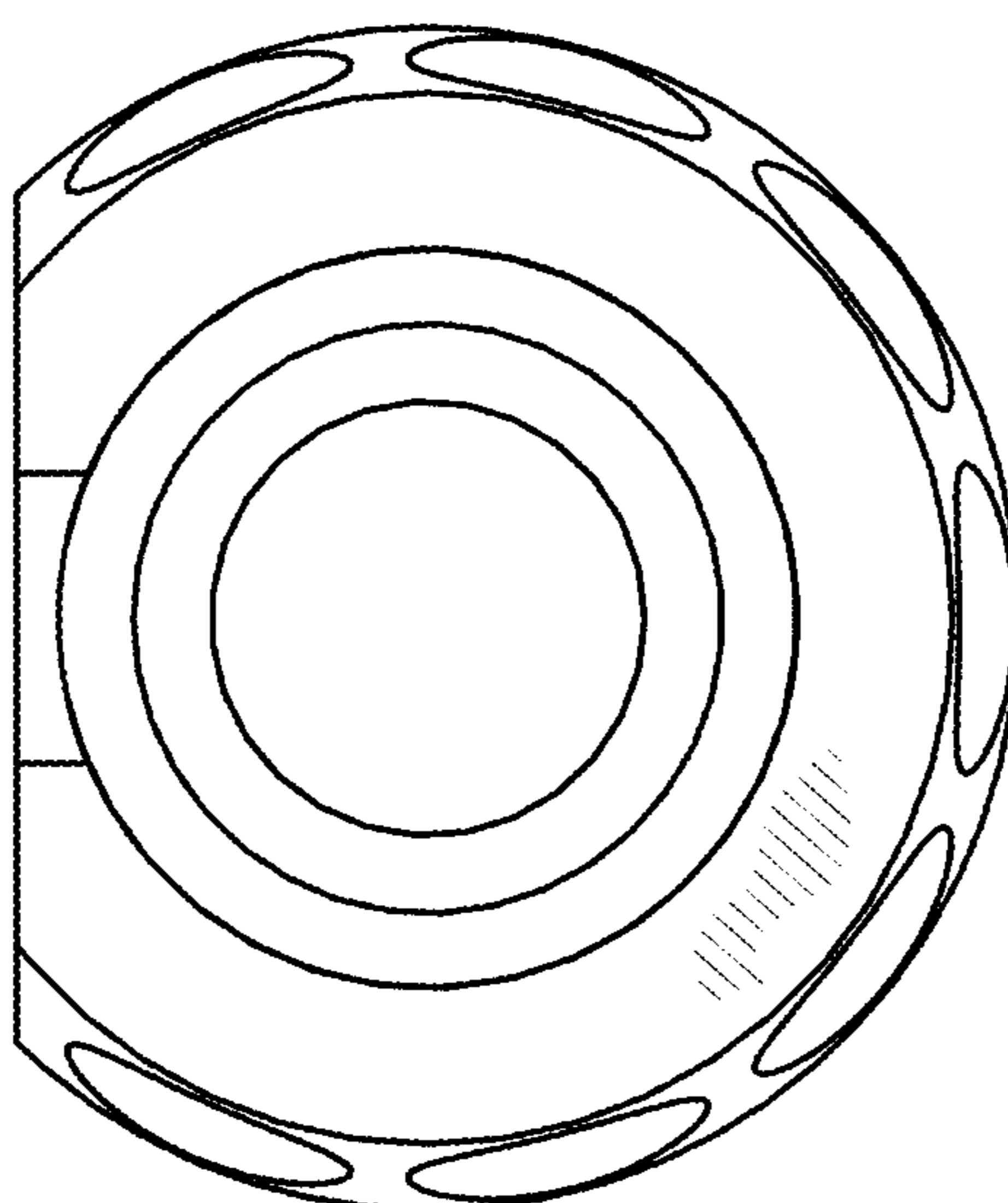
**FIG. 7**



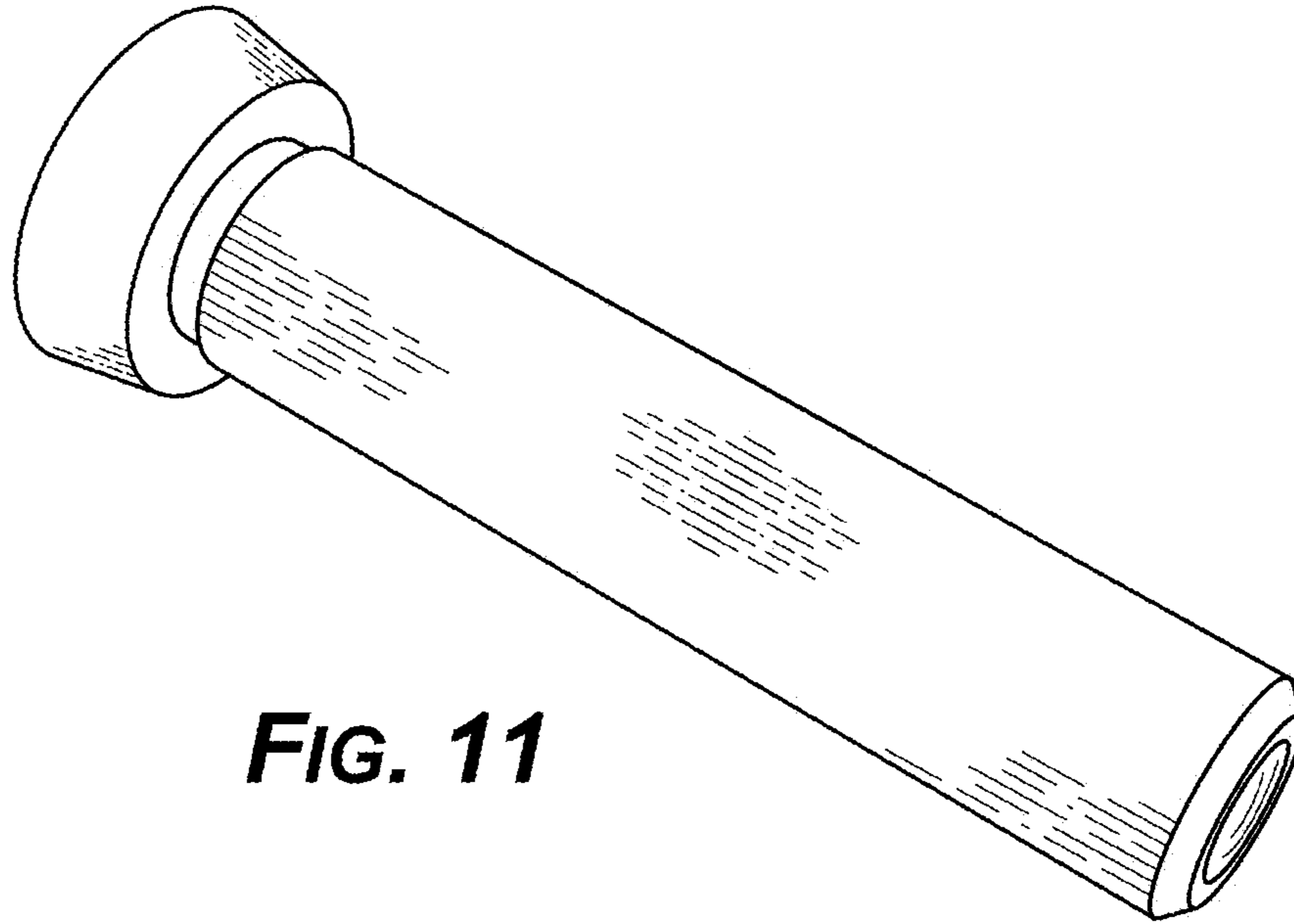
**FIG. 8**



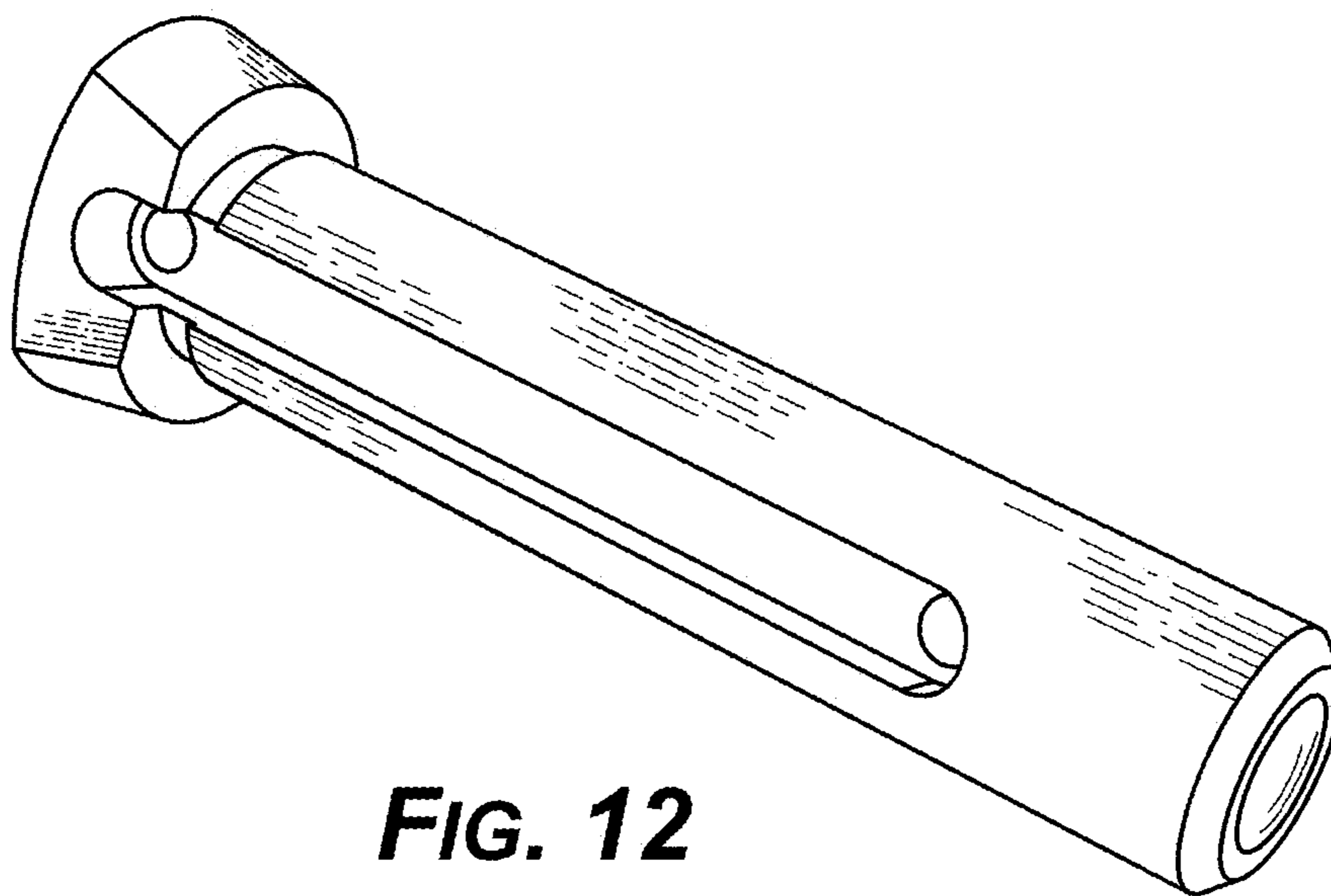
**FIG. 9**



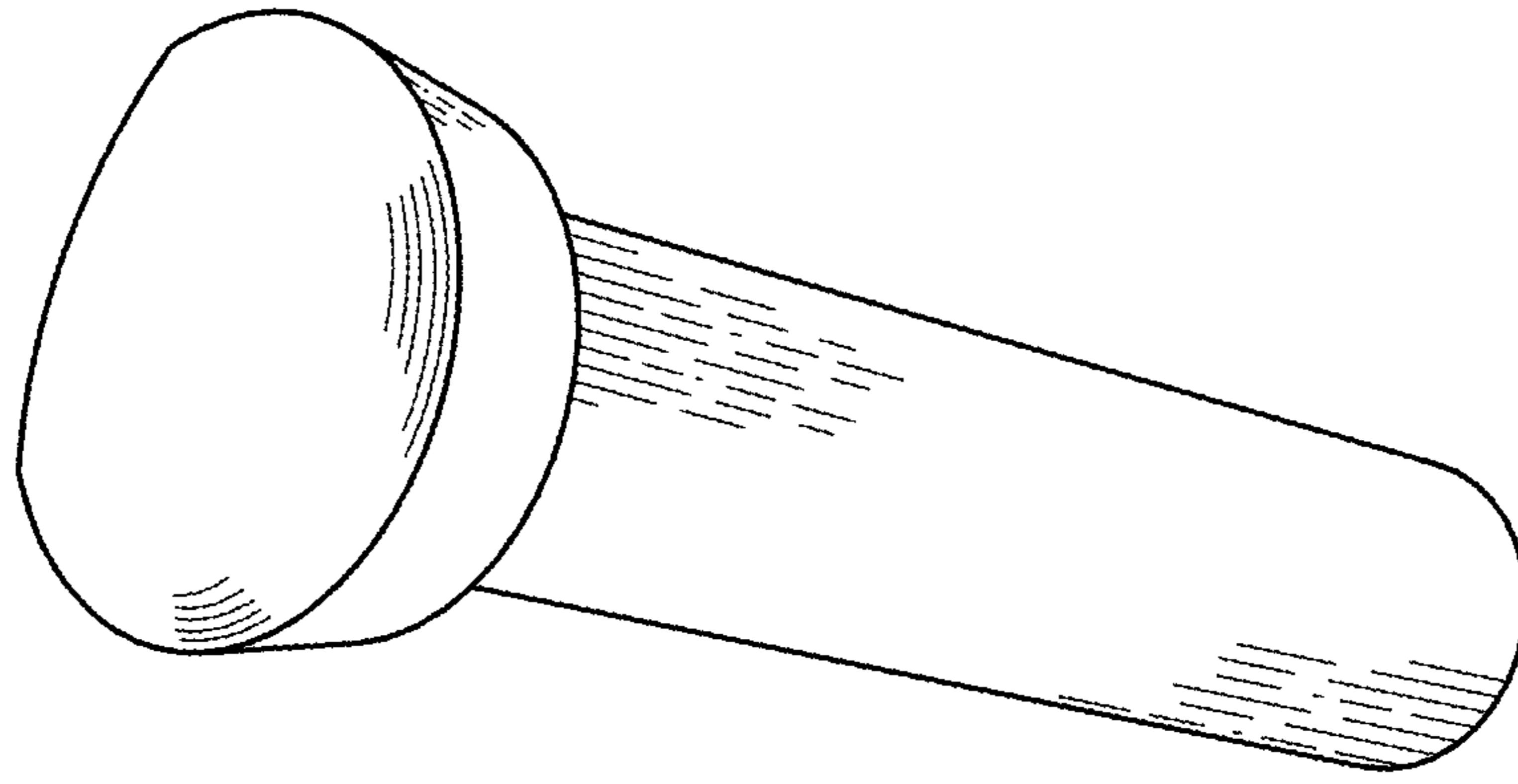
**FIG. 10**



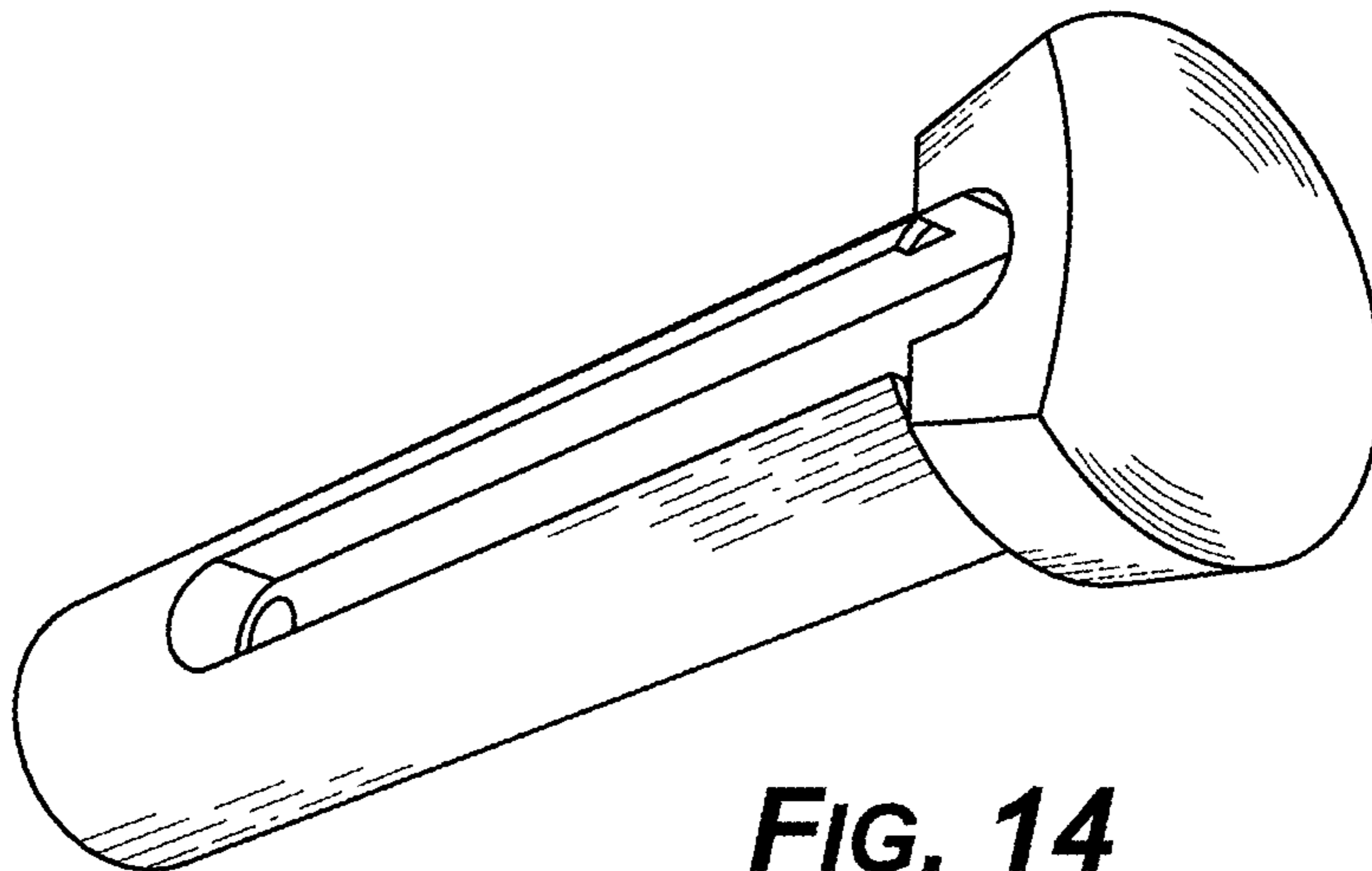
**FIG. 11**



**FIG. 12**

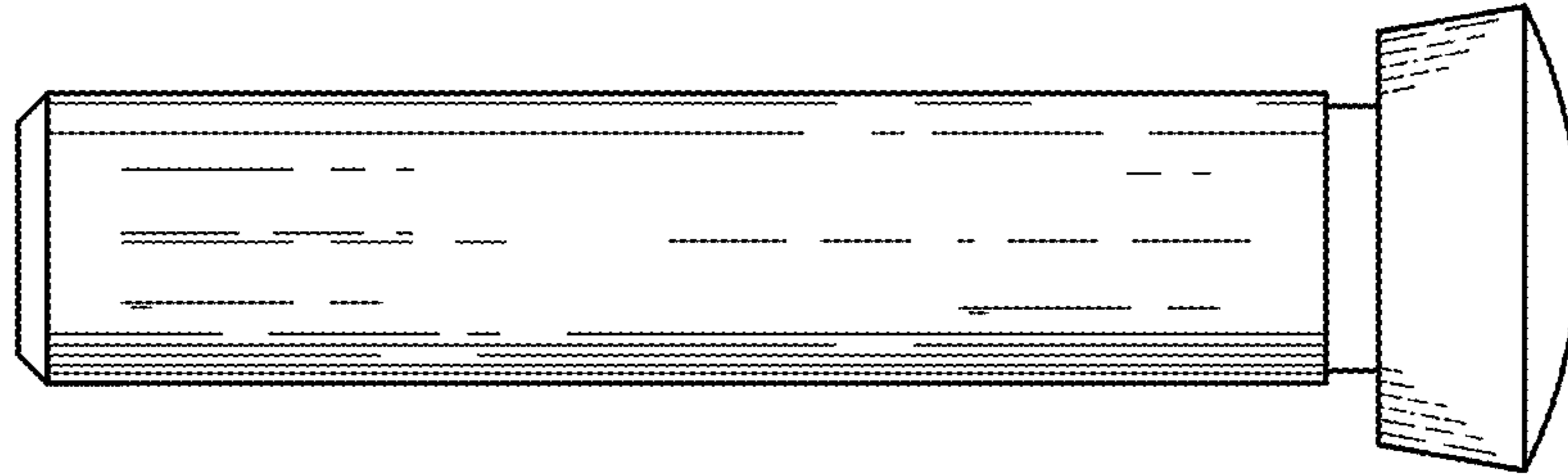


**FIG. 13**

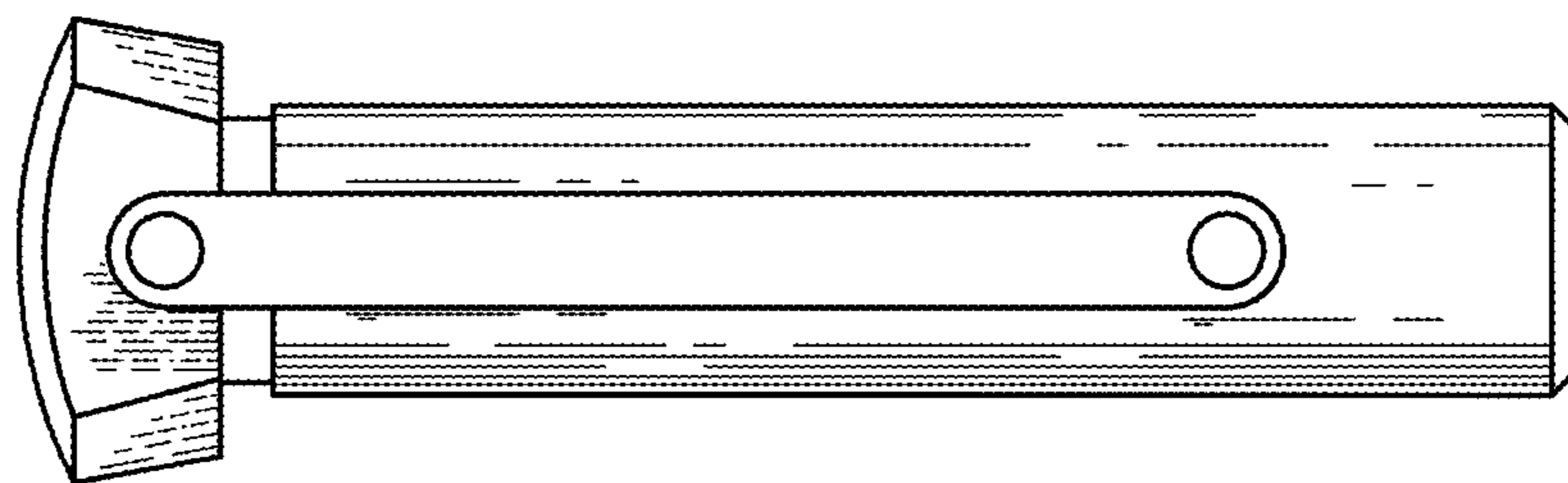


**FIG. 14**

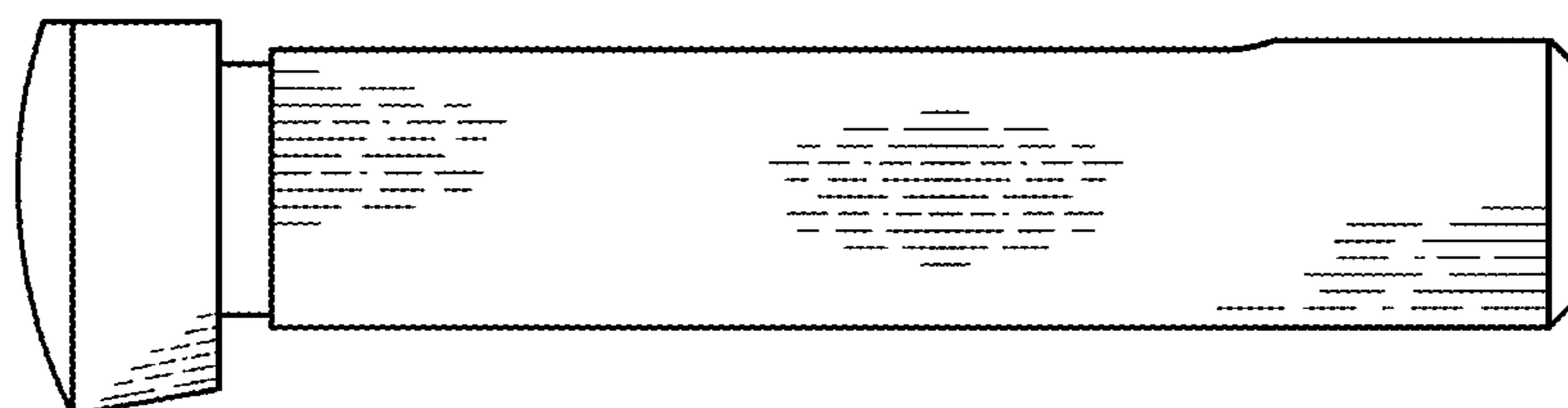




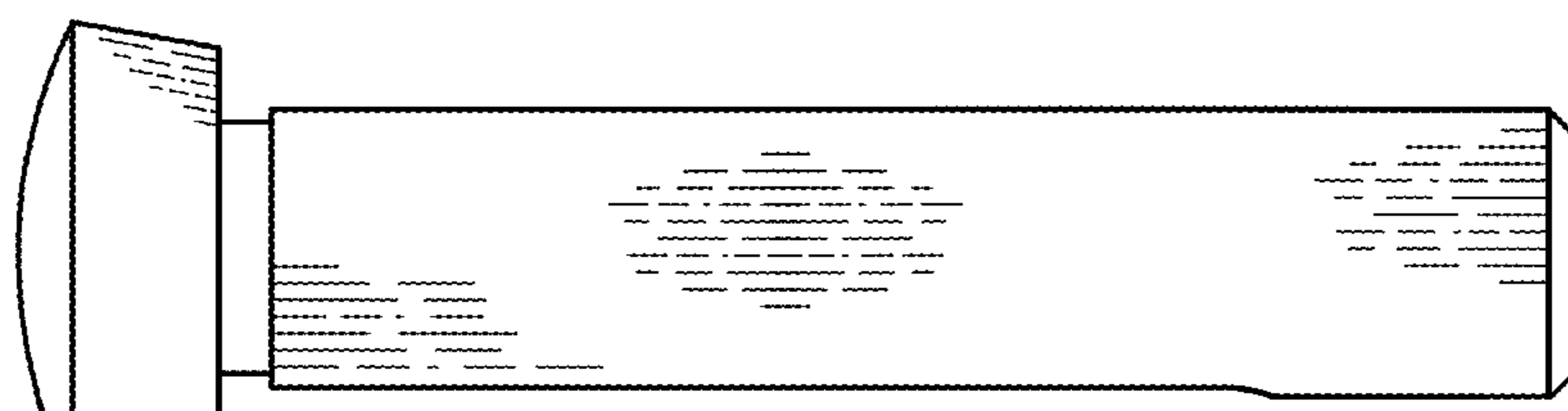
**FIG. 15**



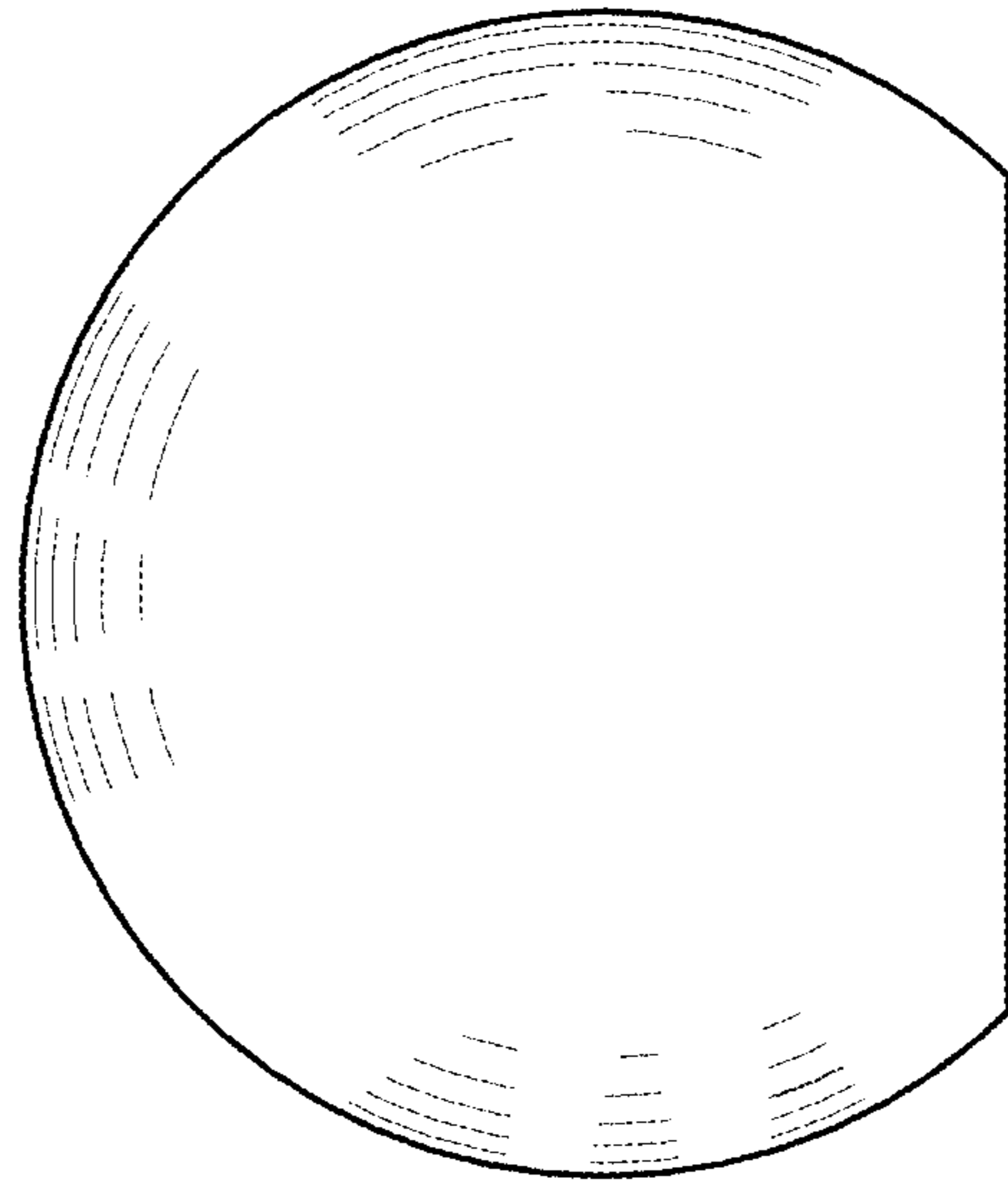
**FIG. 16**



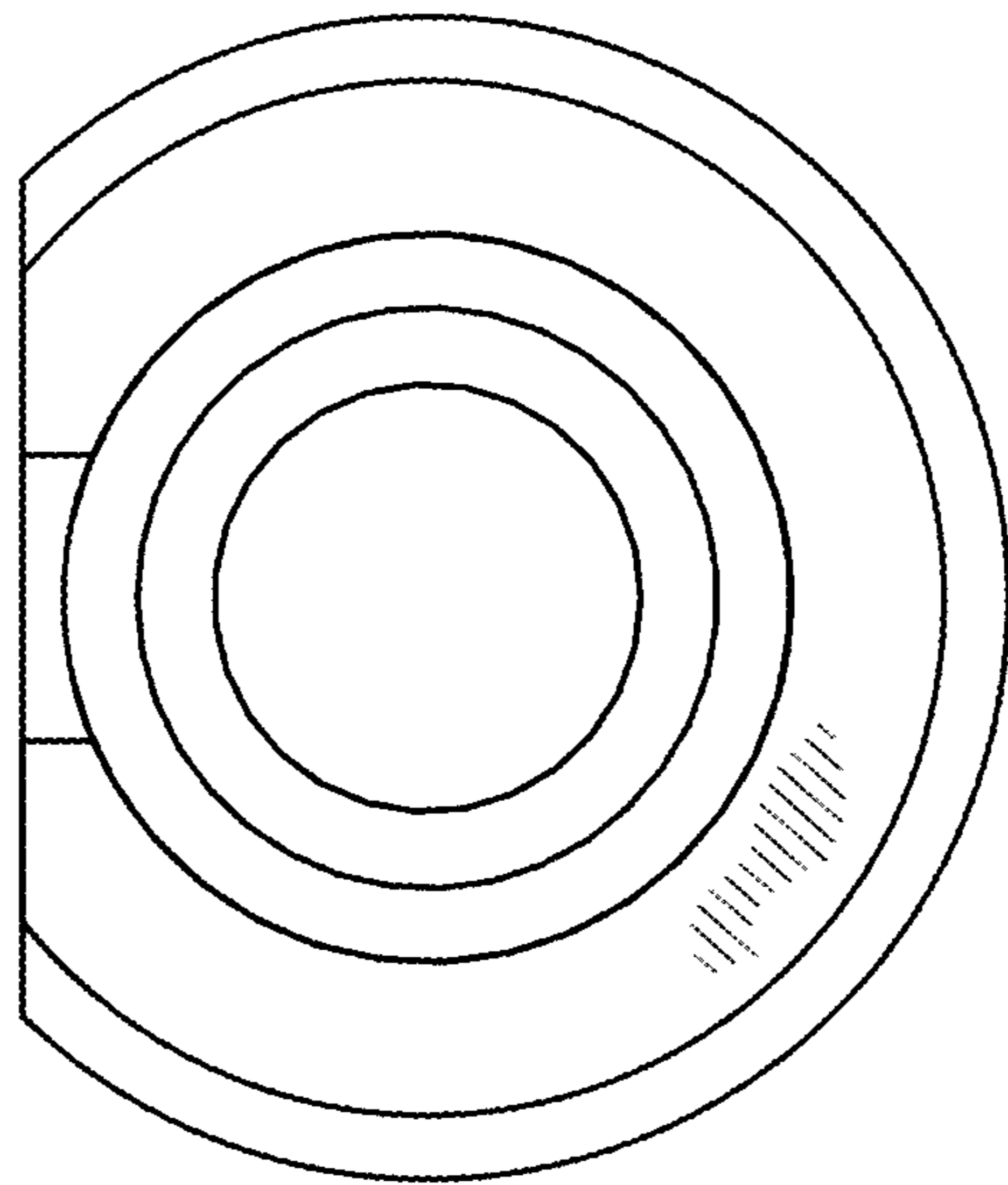
**FIG. 17**



**FIG. 18**



**FIG. 19**



**FIG. 20**