



US00D757873S

(12) **United States Design Patent**
Nay

(10) **Patent No.:** **US D757,873 S**
(45) **Date of Patent:** **** May 31, 2016**

(54) **LONGBOARD WHEEL**
(71) Applicant: **Chauncey L. Nay**, St. George, UT (US)
(72) Inventor: **Chauncey L. Nay**, St. George, UT (US)
(73) Assignee: **Chauncey L. Nay**, St. George, UT (US)
(**) Term: **14 Years**

(21) Appl. No.: **29/508,734**
(22) Filed: **Nov. 10, 2014**
(51) **LOC (10) Cl.** **21-02**
(52) **U.S. Cl.**
USPC **D21/779**
(58) **Field of Classification Search**
USPC D21/563, 761, 762, 763, 765, 771, 779;
D12/204–213; D3/318; 280/11.19,
280/11.215, 11.221–11.26, 11.28, 11.32,
280/87.042, 809, 816; 301/5.1, 5.7,
301/5.301–5.309
CPC A63C 17/00; A63C 17/01; A63C 17/04;
A63C 17/06; A63C 17/22; A63C 17/223;
A63C 17/18
See application file for complete search history.

(56) **References Cited**
U.S. PATENT DOCUMENTS

D107,515 S * 12/1937 Grange et al. D21/779
D266,396 S * 10/1982 Neville 16/107

5,310,250 A * 5/1994 Gonsior A63C 17/223
280/11.231
5,312,844 A * 5/1994 Gonsior A63C 17/223
152/DIG. 18
D371,409 S * 7/1996 Mohr D21/779
D421,589 S * 3/2000 Trubiano D12/204
D489,110 S * 4/2004 Carlson D21/779
D525,033 S * 7/2006 Neumann D3/318
D717,383 S * 11/2014 Nay D21/779
D721,150 S * 1/2015 Piper D21/779
2014/0175856 A1 * 6/2014 Piumarta A63C 17/22
301/5.301

* cited by examiner

Primary Examiner — Cynthia M Chin

(74) *Attorney, Agent, or Firm* — Maschoff Brennan

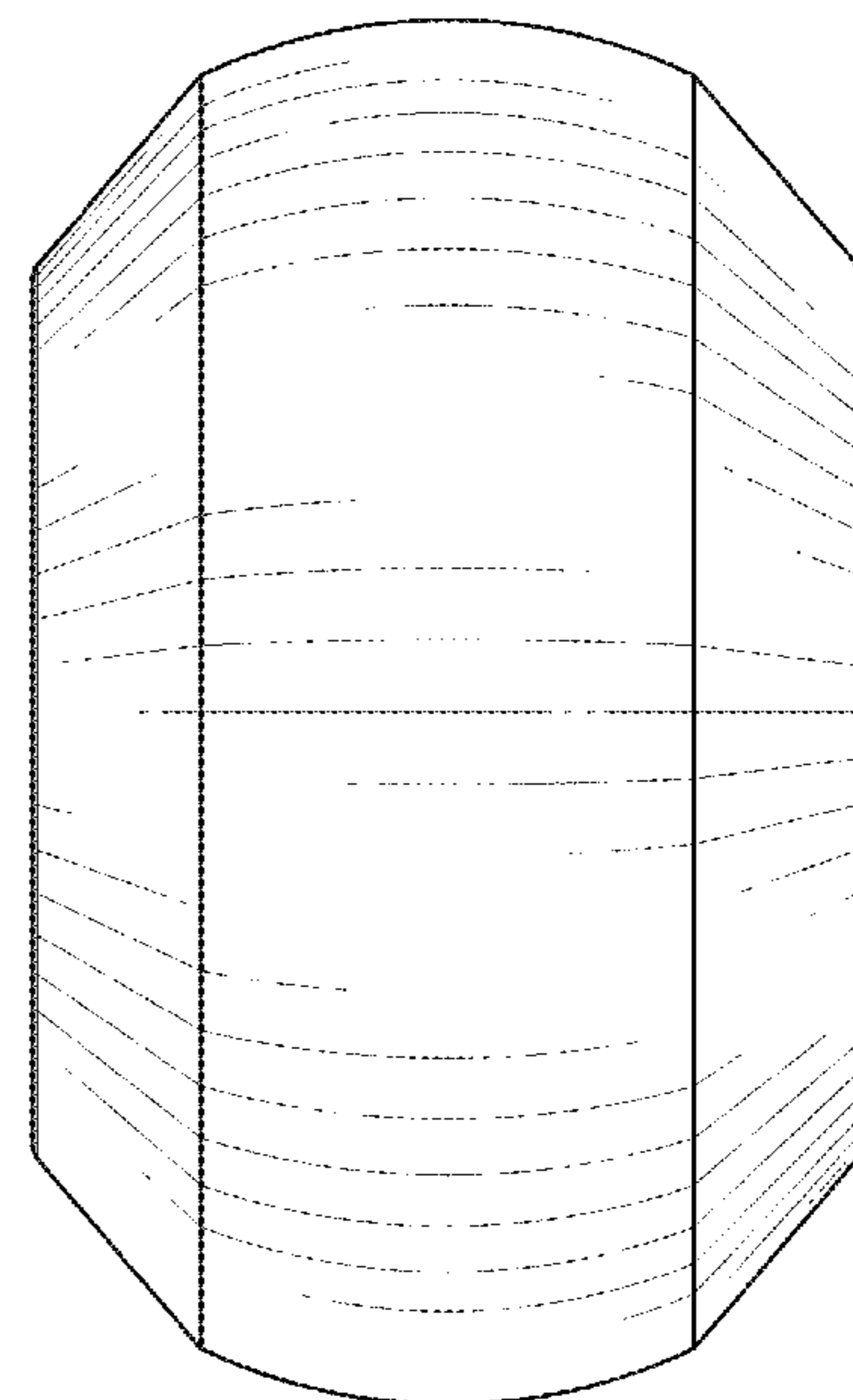
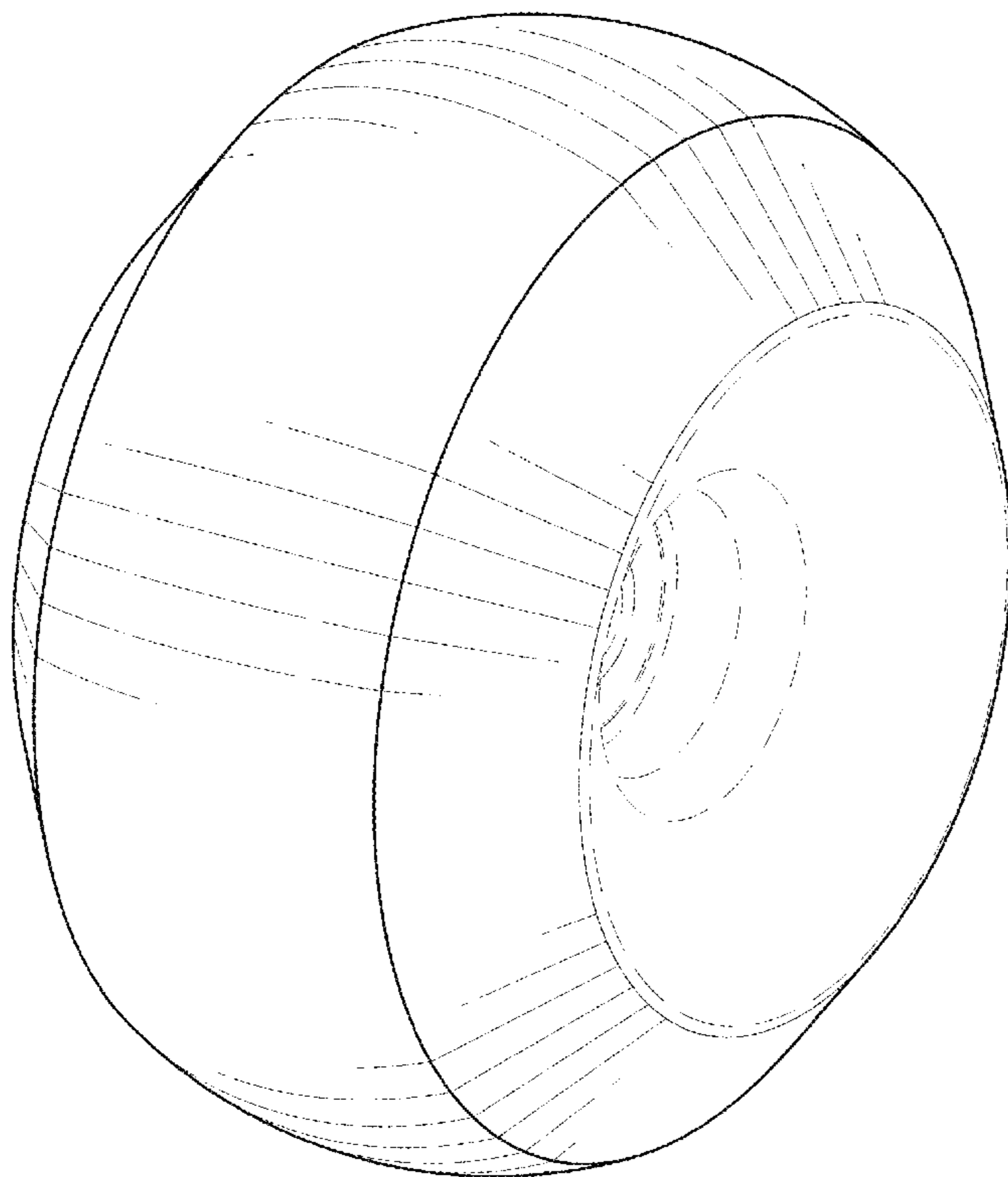
(57) **CLAIM**

The ornamental design for a longboard wheel, as shown and described.

DESCRIPTION

FIG. 1 is an upper perspective view of a longboard wheel, illustrating the wheel attached to an exemplary longboard; FIG. 2 is an upper perspective view of the longboard wheel; FIG. 3 is a front view of the longboard wheel; FIG. 4 is a rear view of the longboard wheel; FIG. 5 is a left side view of the longboard wheel; and, FIG. 6 is a right side view of the longboard wheel. The broken lines shown in the figures are included for the purpose of illustrating the environment in which the article resides and forms no part of the claimed design.

1 Claim, 4 Drawing Sheets



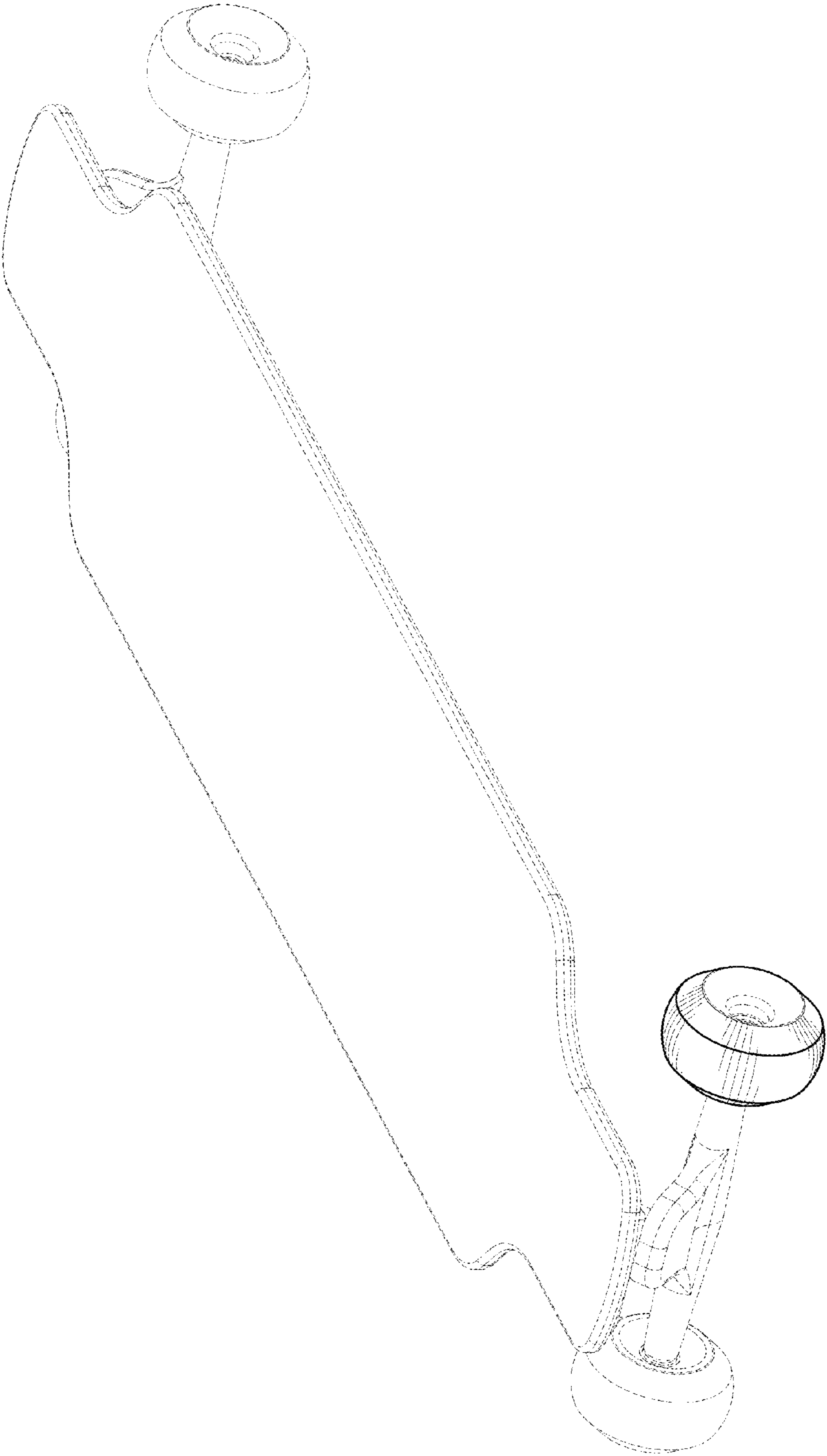


FIG. 1

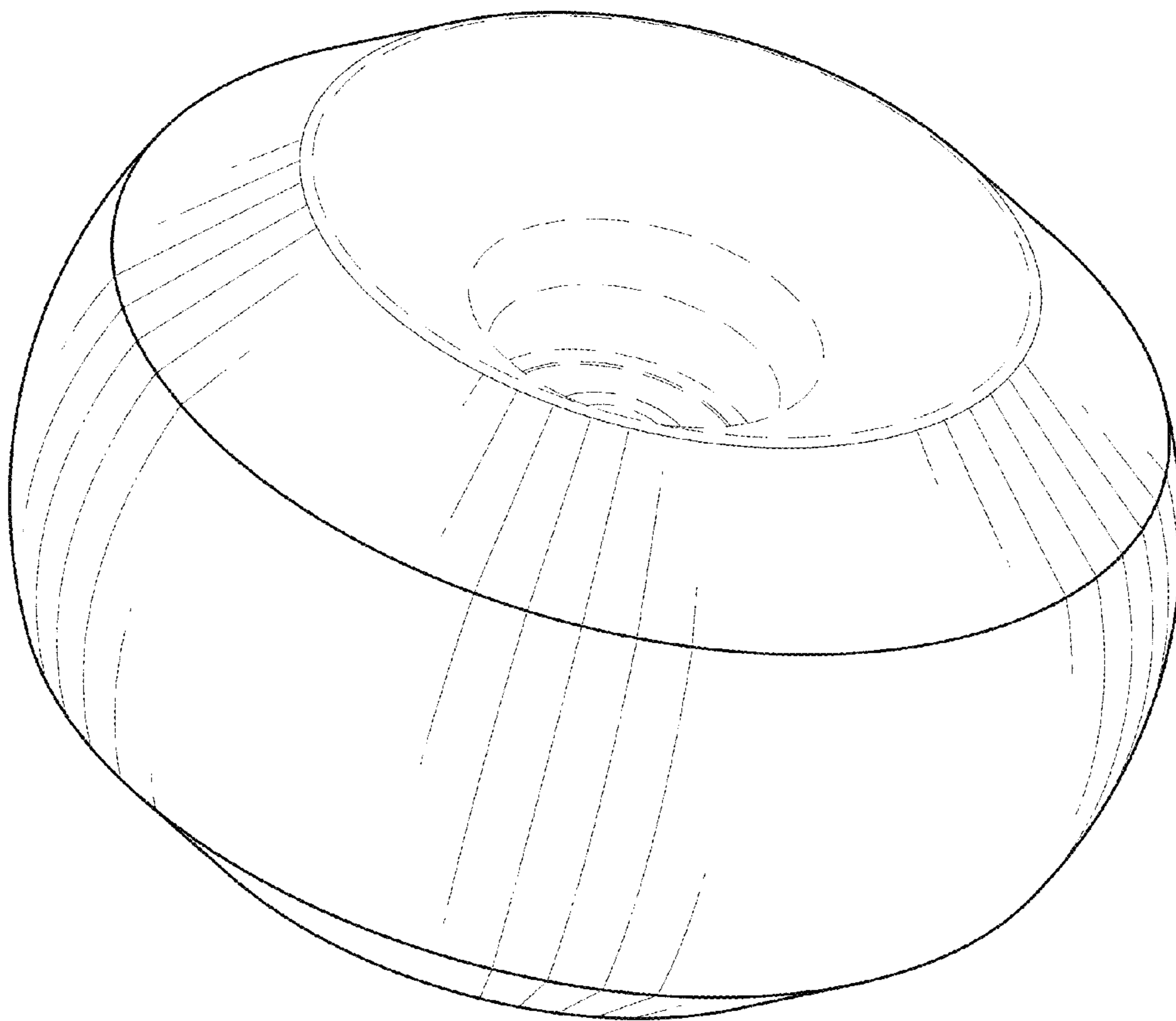


FIG. 2

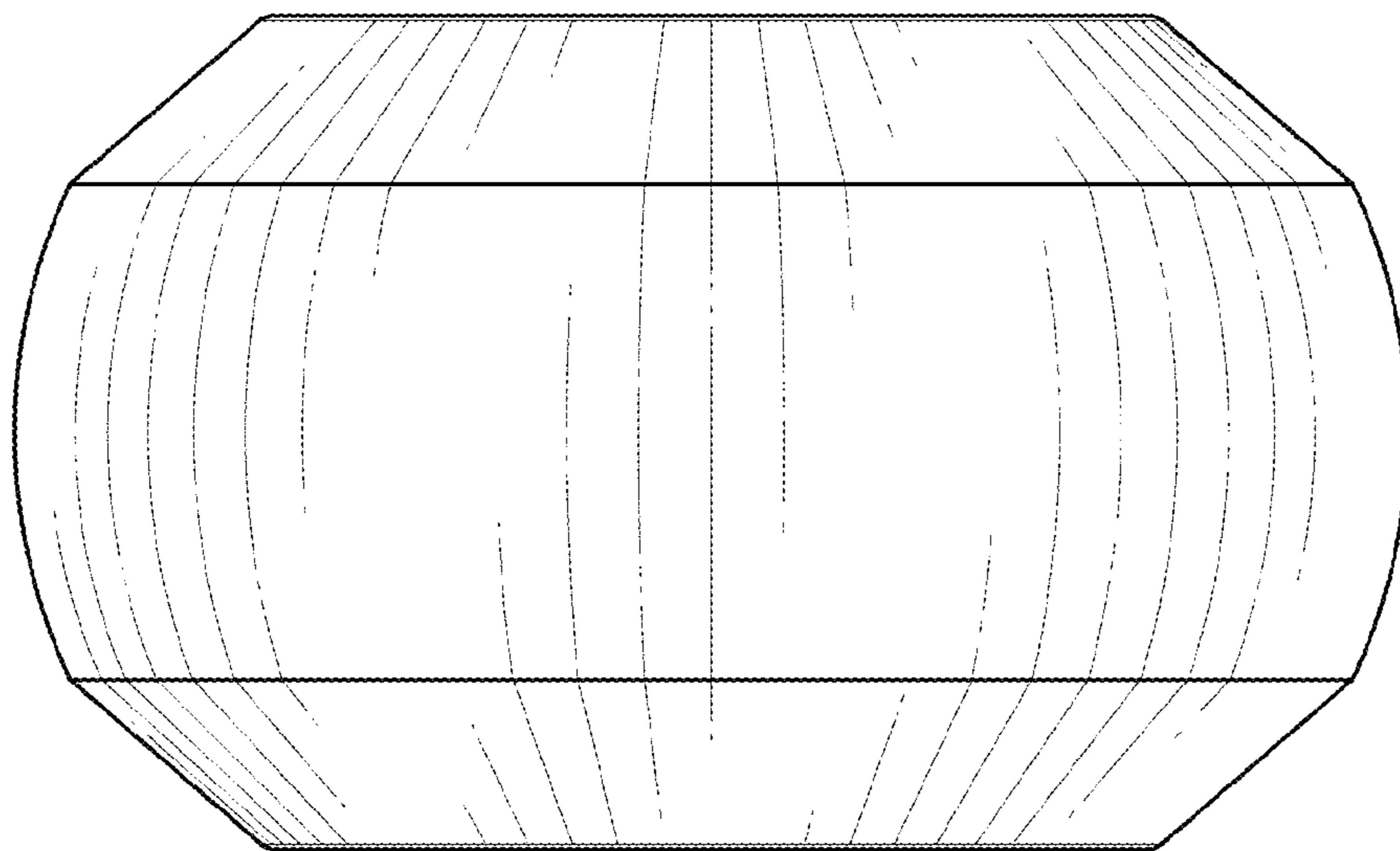


FIG. 4

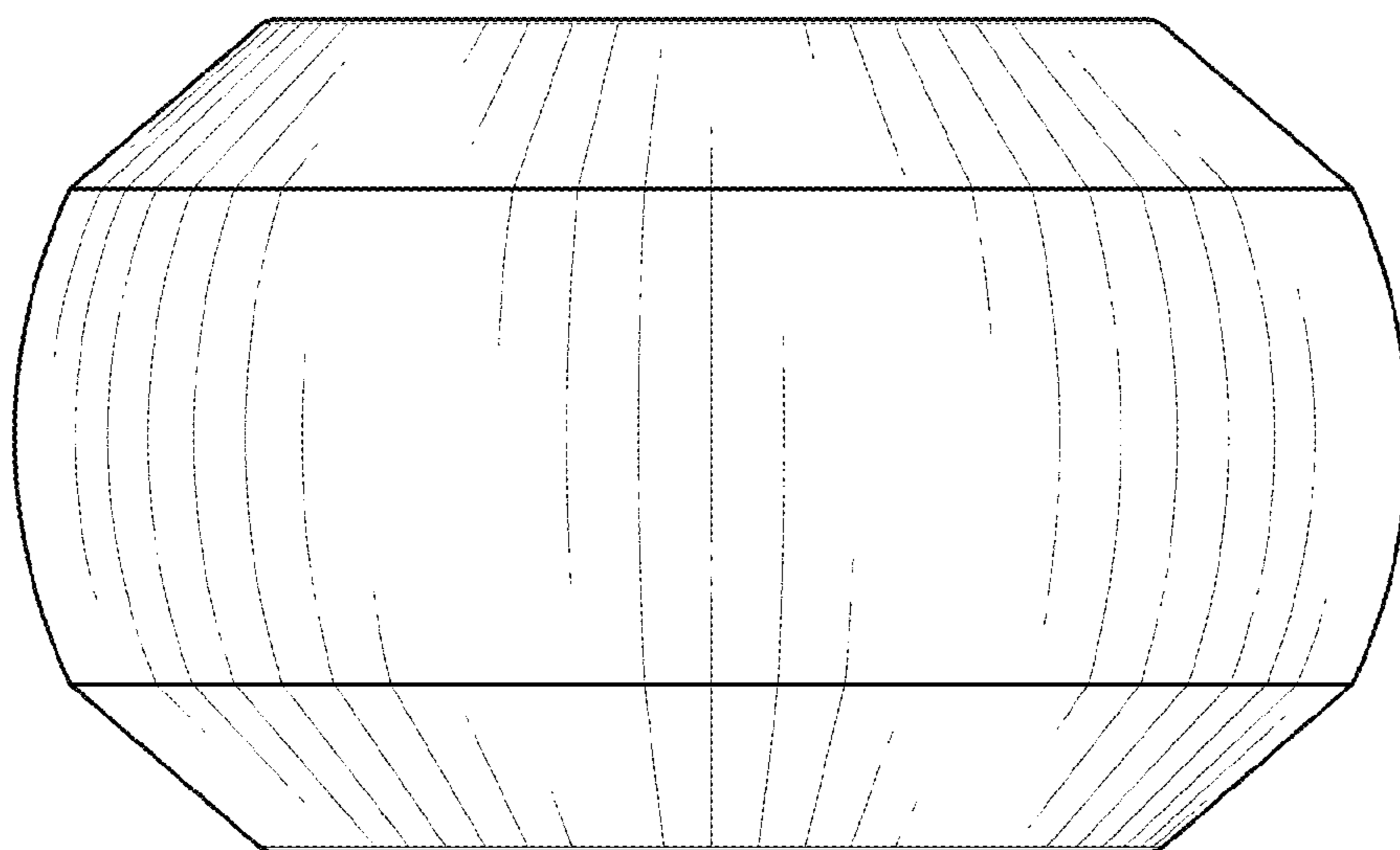


FIG. 3

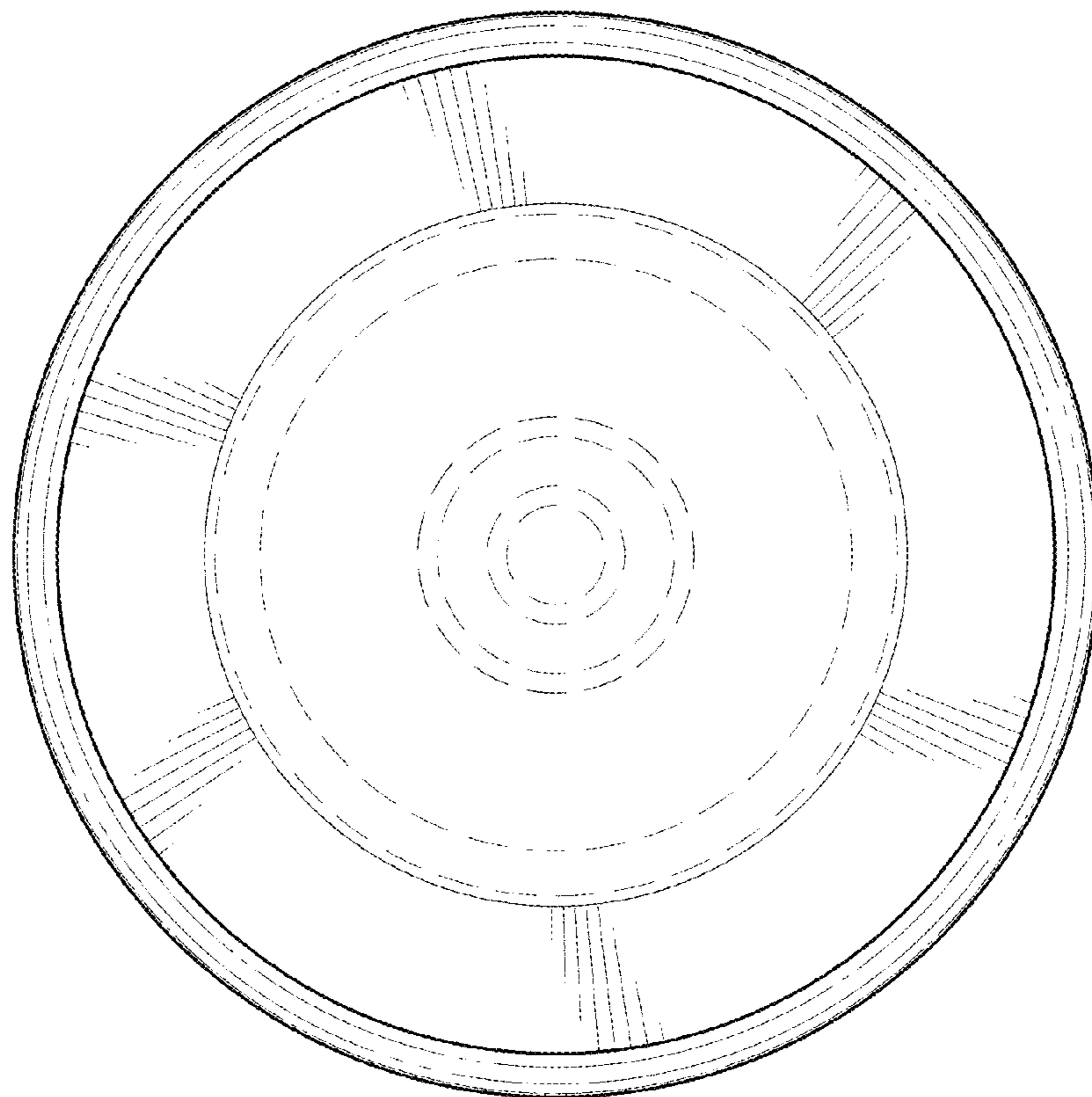


FIG. 6

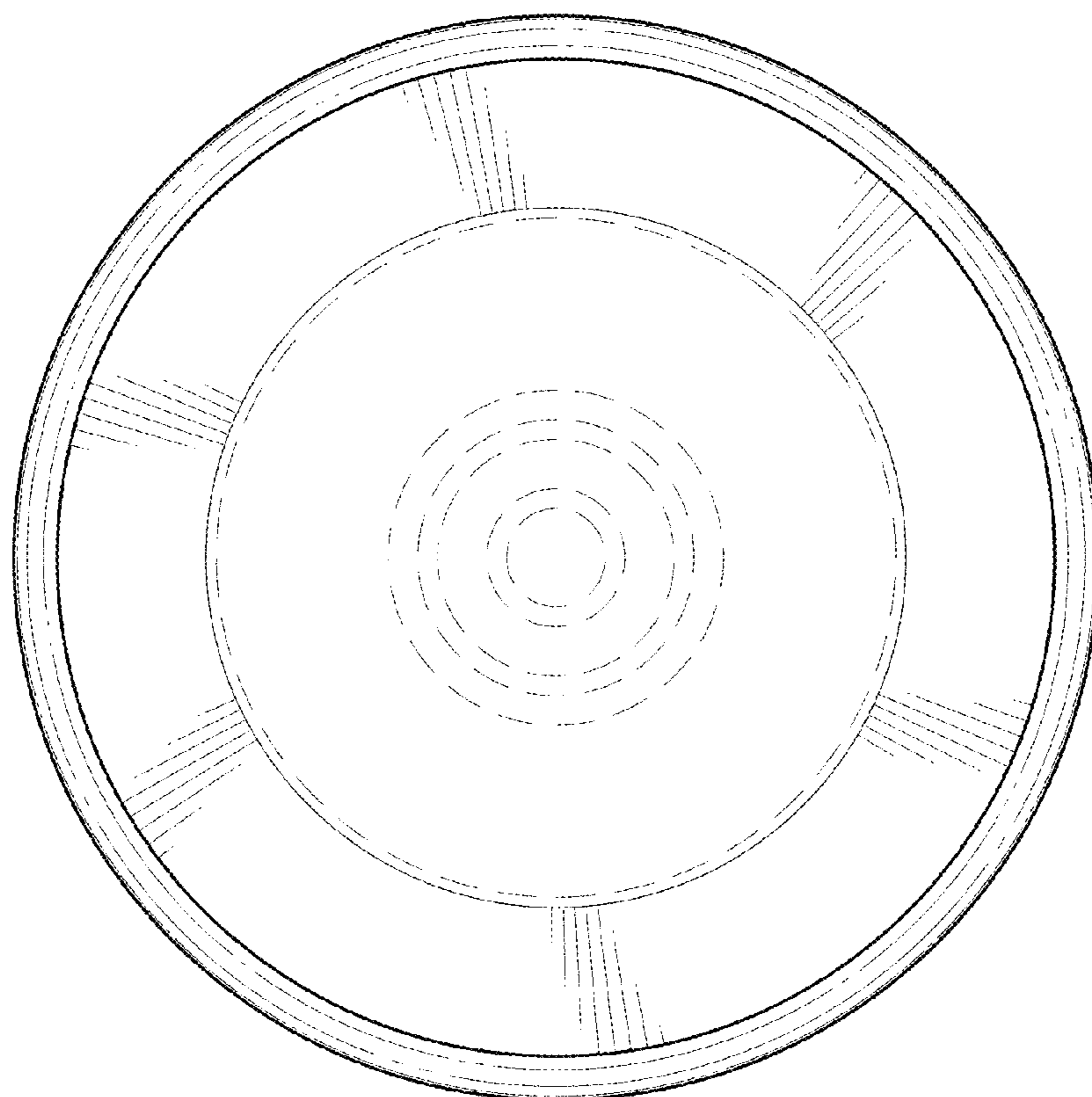


FIG. 5