



US00D757869S

(12) **United States Design Patent**
Huber

(10) **Patent No.:** **US D757,869 S**
(45) **Date of Patent:** **** May 31, 2016**

(54) **EXERCISE BALL WITH FOOT PAD**

(71) Applicant: **Aaron D. Huber**, Louisville, OH (US)

(72) Inventor: **Aaron D. Huber**, Louisville, OH (US)

(**) Term: **14 Years**

(21) Appl. No.: **29/516,313**

(22) Filed: **Jan. 30, 2015**

Related U.S. Application Data

(62) Division of application No. 29/445,764, filed on Feb. 15, 2013, now Pat. No. Des. 724,159.

(51) **LOC (10) Cl.** **21-02**

(52) **U.S. Cl.**
USPC **D21/688**

(58) **Field of Classification Search**
USPC D21/662, 688, 713, 671, 692, 803, 680,
D21/398, 707, 678, 684, 714, 412, 421,
D21/413; 482/93, 106, 92, 132, 140, 141,
482/51, 907, 96, 125, 111, 910, 79, 123,
482/121, 112, 148, 909, 91, 122, 131, 126,
482/142, 129, 105, 147, 146, 77, 135, 108,
482/62; D30/160, 117; 446/220, 226, 448;
473/596, 576; 601/131, 23
CPC A63B 23/1236; A63B 21/4035; A63B
2208/12; A63B 21/0552; A63B 21/0557;
A63B 23/12; A63B 41/00; A63B 21/0442
See application file for complete search history.

(56) **References Cited**

U.S. PATENT DOCUMENTS

2,941,219 A	6/1960	Irving
3,889,308 A	6/1975	Persson
4,610,447 A	9/1986	Byrd
4,634,121 A	1/1987	Sasaki
5,114,371 A	5/1992	Alonzo

5,230,682 A	7/1993	Myers	
D370,951 S	6/1996	Lazar	
5,674,101 A	10/1997	Saloor	
5,735,776 A	4/1998	Swezey et al.	
5,810,700 A	9/1998	Orcutt	
D420,403 S *	2/2000	Bart D21/398
6,053,853 A	4/2000	Hinds	
6,068,580 A	5/2000	Myers et al.	
6,190,292 B1	2/2001	Panes	
D456,051 S	4/2002	Mitchell	
6,575,883 B1	6/2003	Hinds	
D503,756 S *	4/2005	Chiang D21/662
D507,026 S	7/2005	Chen	
D521,084 S *	5/2006	Huang D21/662
D540,887 S *	4/2007	Goldman D21/413
D552,696 S	10/2007	Hallar	
7,303,512 B1 *	12/2007	Goldman A63B 21/0004 472/135

(Continued)

Primary Examiner — Robert M Spear

Assistant Examiner — Ryan Harvey

(74) *Attorney, Agent, or Firm* — Sand & Sebolt

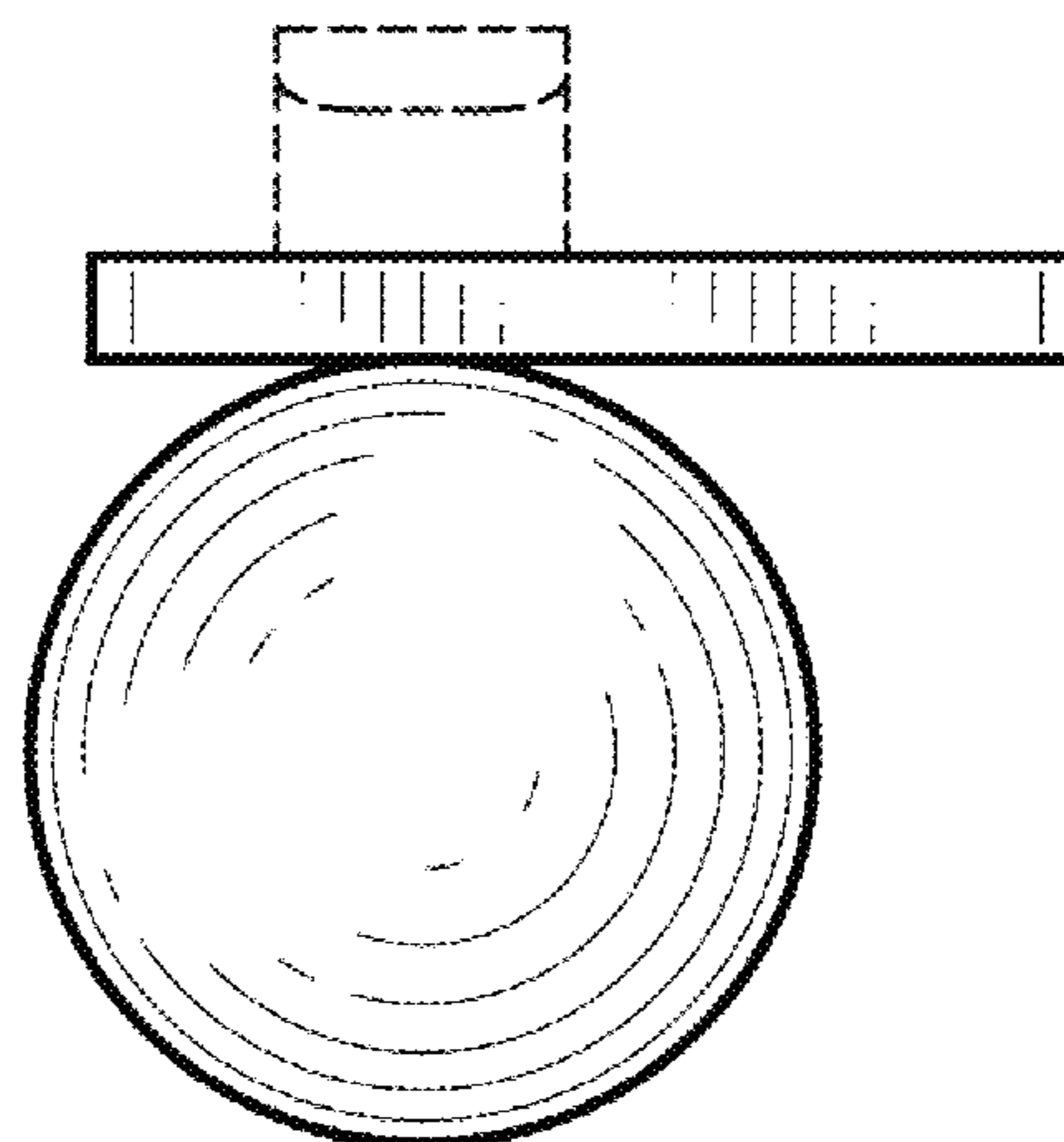
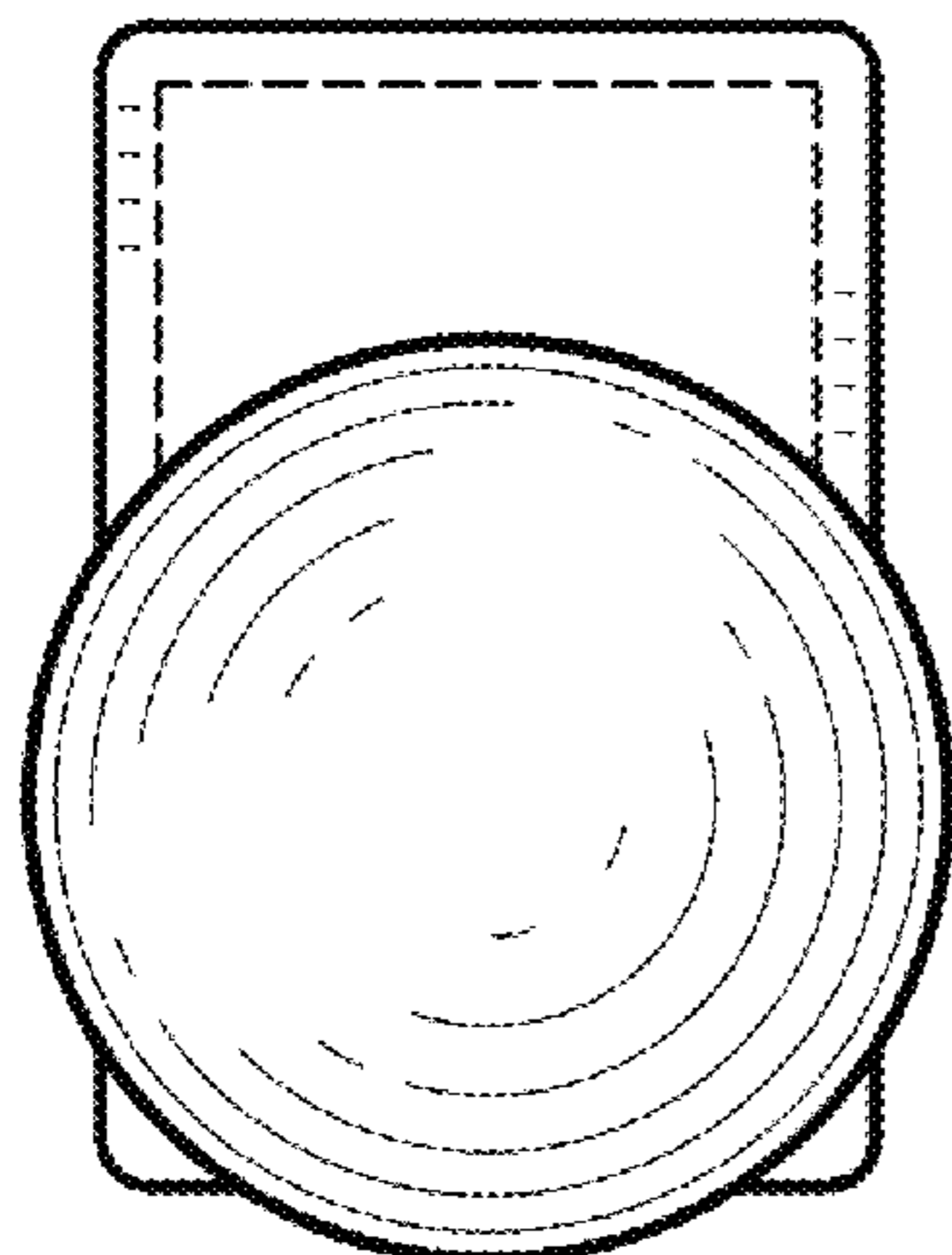
(57) **CLAIM**

The ornamental design for an exercise ball with foot pad, as shown and described.

DESCRIPTION

FIG. 1 is a top plan view of an exercise ball with foot pad. FIG. 2 is a bottom plan view of the exercise device of FIG. 1. FIG. 3 is a rear elevation view of the exercise device of FIG. 1. FIG. 4 is a front elevation view of the exercise device of FIG. 1. FIG. 5 is a right side elevation view of the exercise device of FIG. 1; and, FIG. 6 is a left side elevation view of the exercise device of FIG. 1. The broken lines illustrate portions of the exercise device which form no part of the claimed design.

1 Claim, 1 Drawing Sheet



(56)

References Cited

U.S. PATENT DOCUMENTS

D564,604 S *	3/2008	Mikail	D21/688	D724,159 S *	3/2015	Huber	D21/662
7,344,487 B2 *	3/2008	Carter	A63B 21/0552 482/142	2004/0110611 A1 *	6/2004	Huang	A63B 21/0552 482/126
7,407,465 B1	8/2008	Alzamora, Sr. et al.		2004/0110613 A1 *	6/2004	Huang	A63B 21/0552 482/142
D650,536 S	12/2011	Oblack et al.		2006/0035751 A1	2/2006	Blair et al.	
8,353,808 B1	1/2013	Barney		2012/0157270 A1	6/2012	Johnson	
D689,153 S *	9/2013	Brinkley	D21/662	2012/0178595 A1	7/2012	Simpson-Weber	
D709,137 S *	7/2014	Goldman	D21/412	2012/0184414 A1	7/2012	Osborn	
				2012/0309595 A1	12/2012	Dike	

* cited by examiner

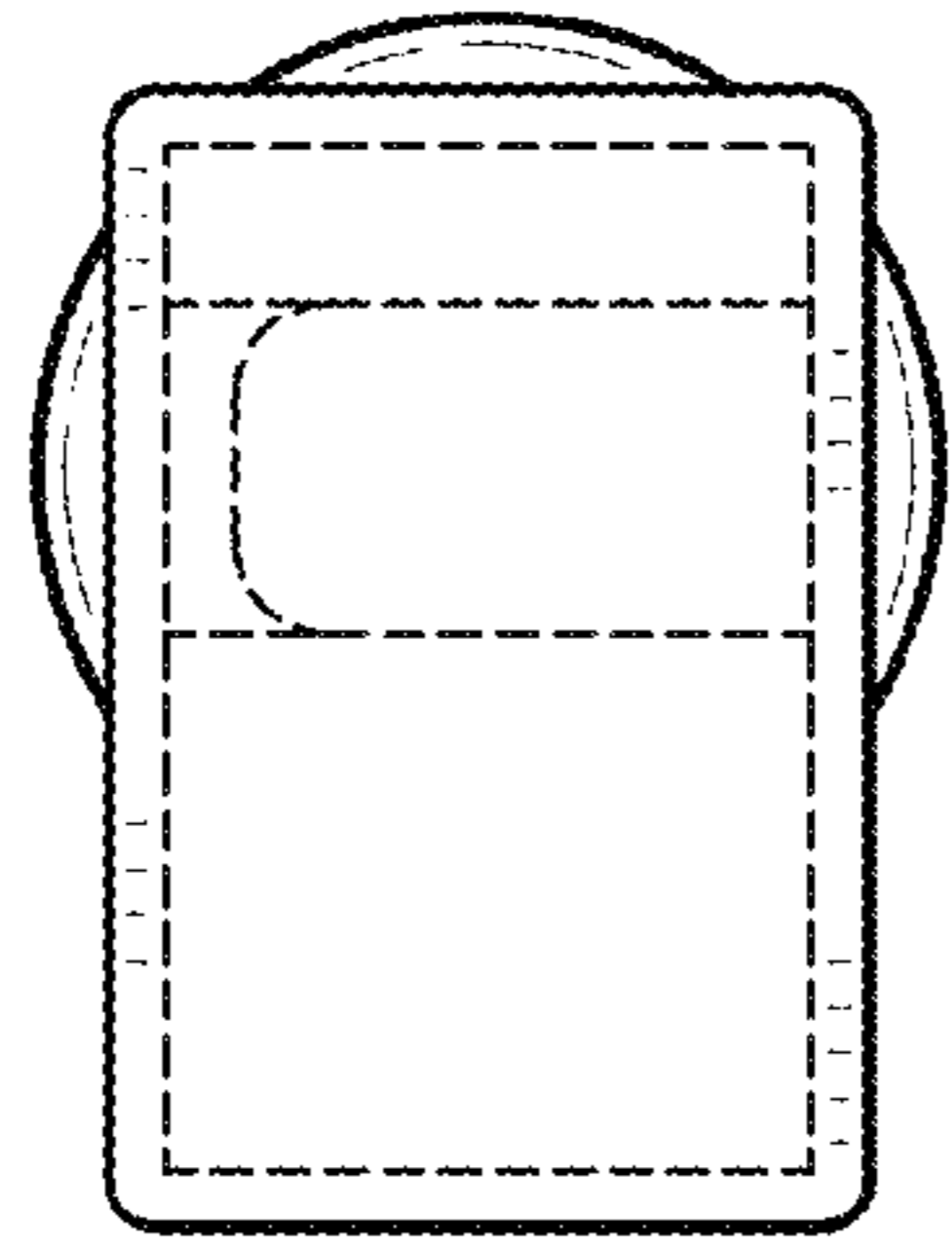


FIG 1

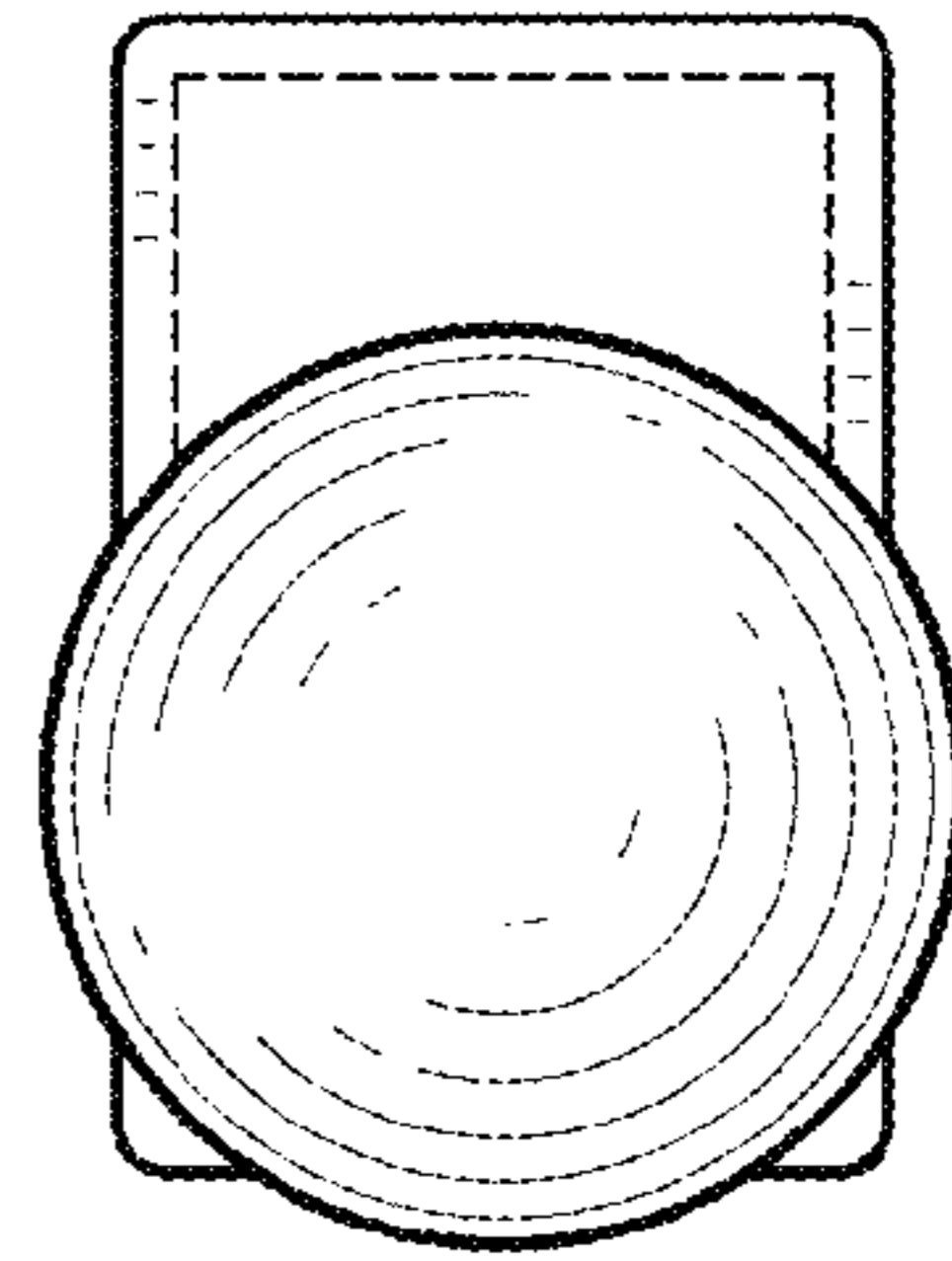


FIG 2

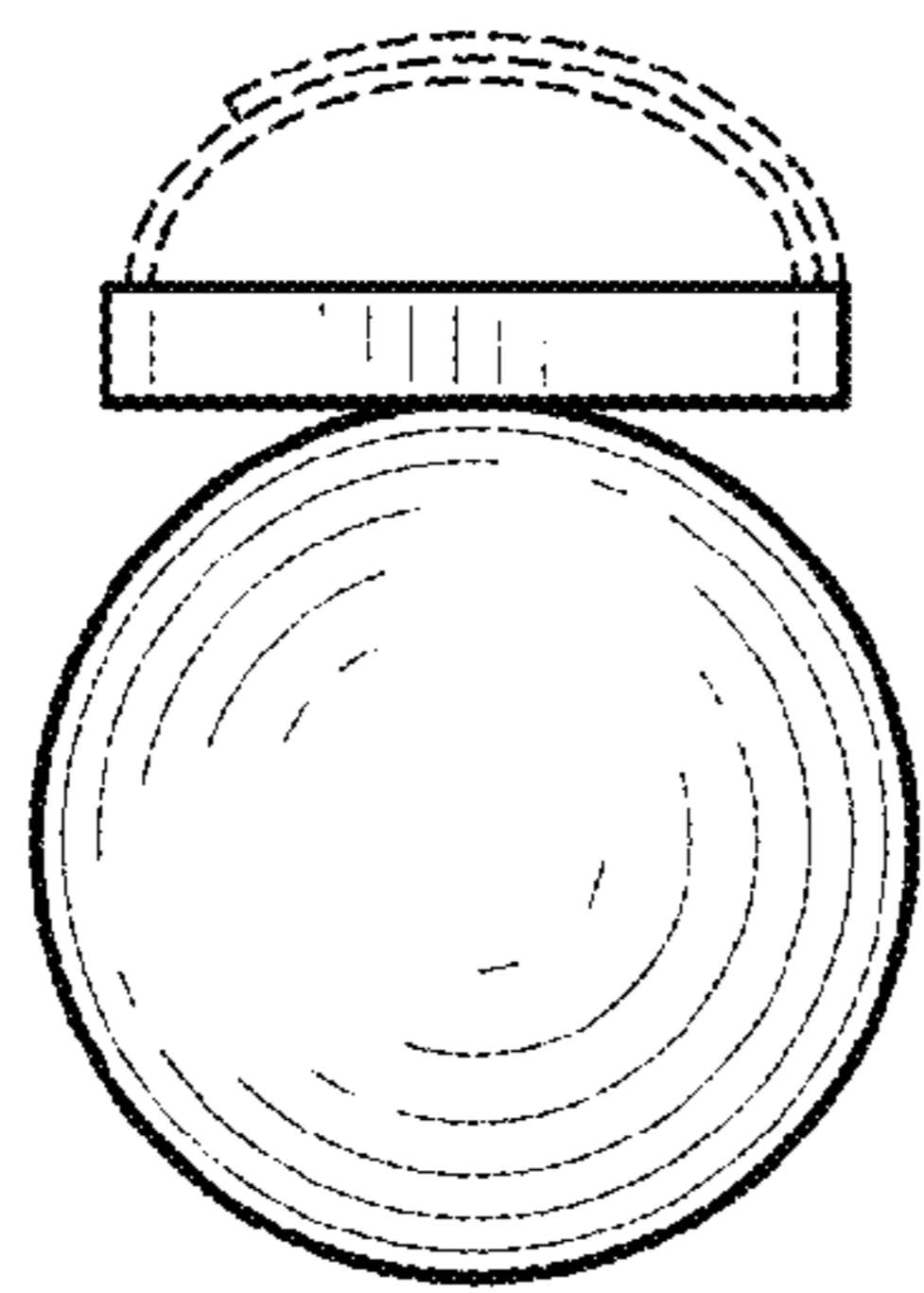


FIG 3

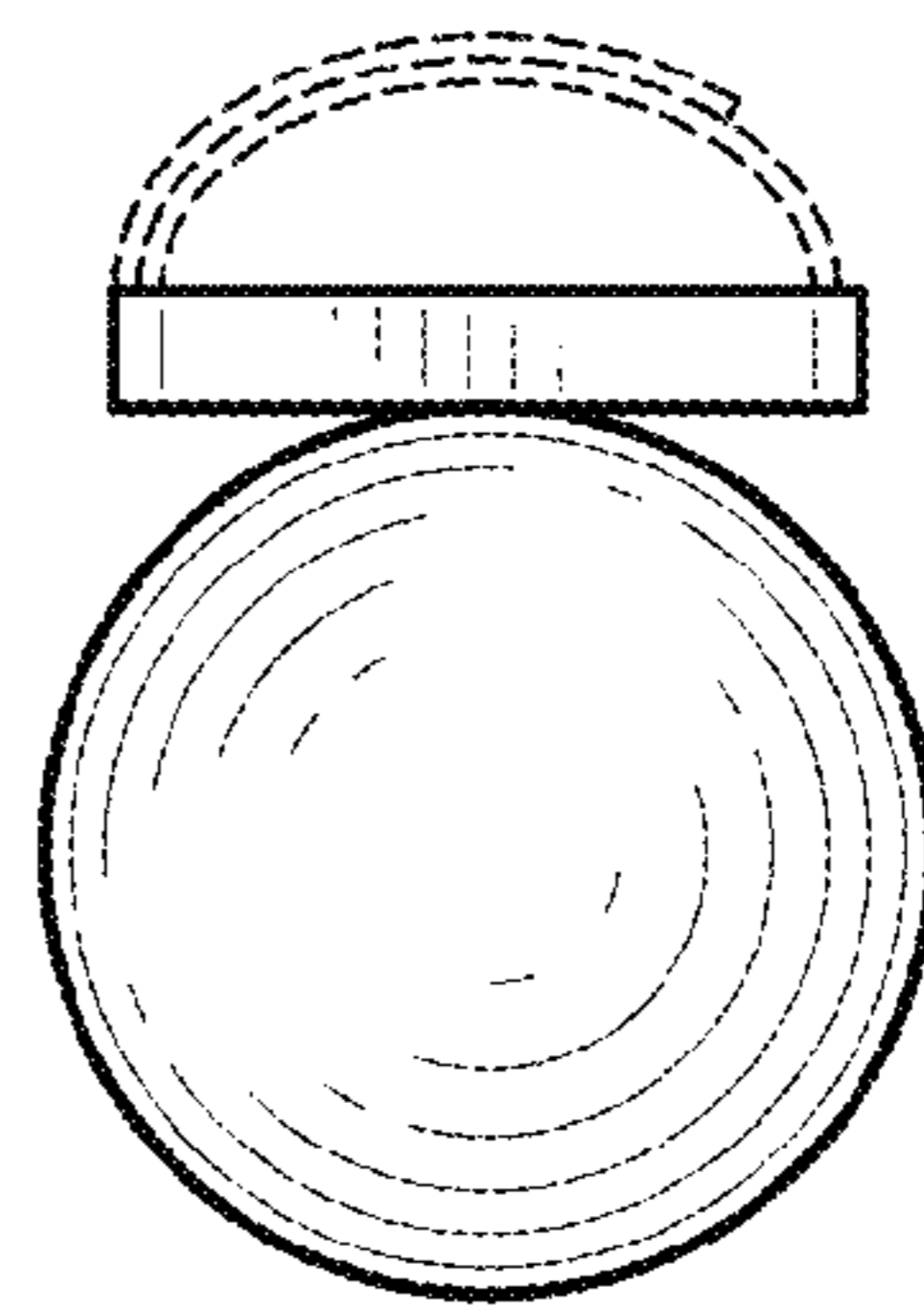


FIG 4

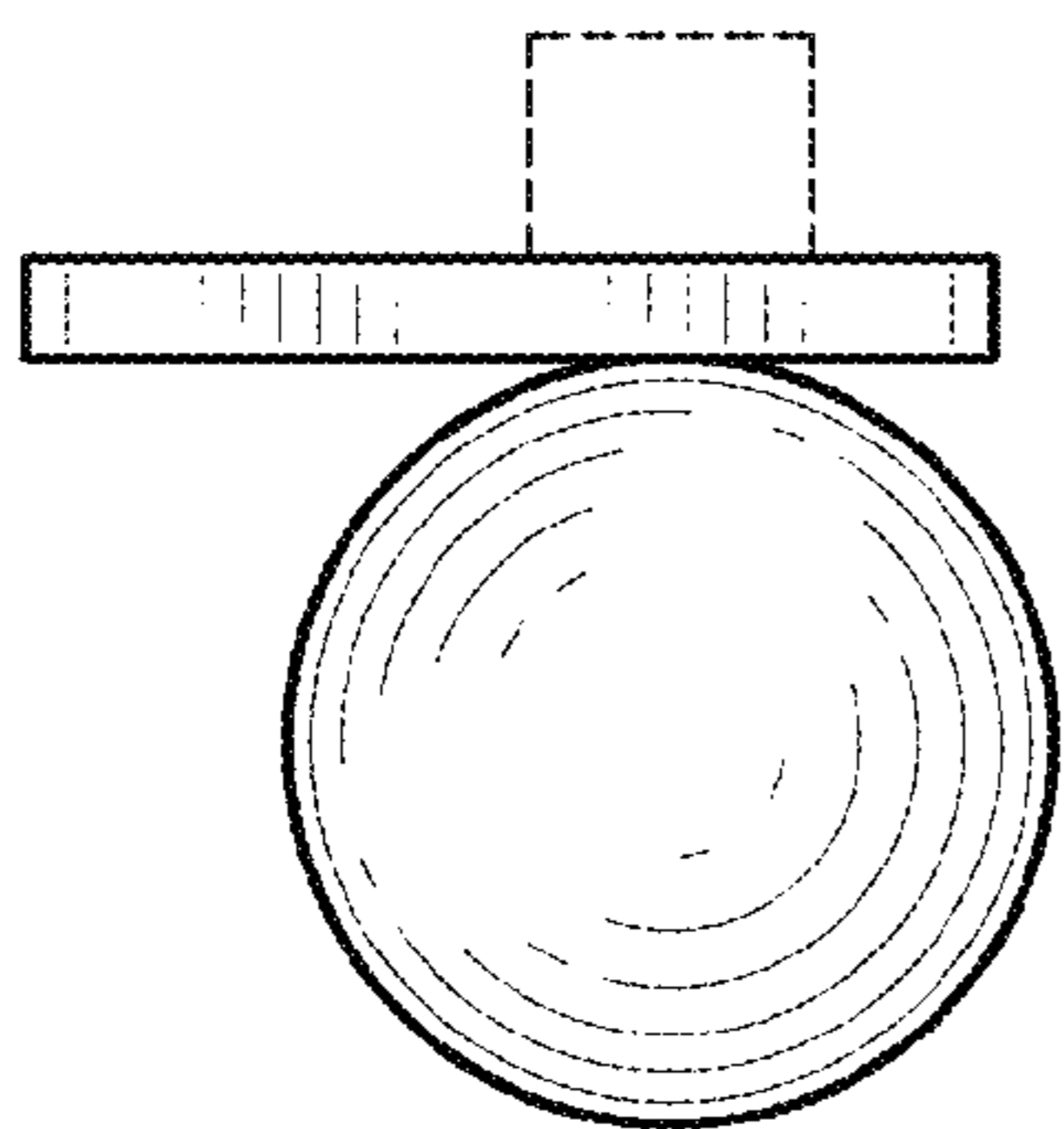


FIG 5

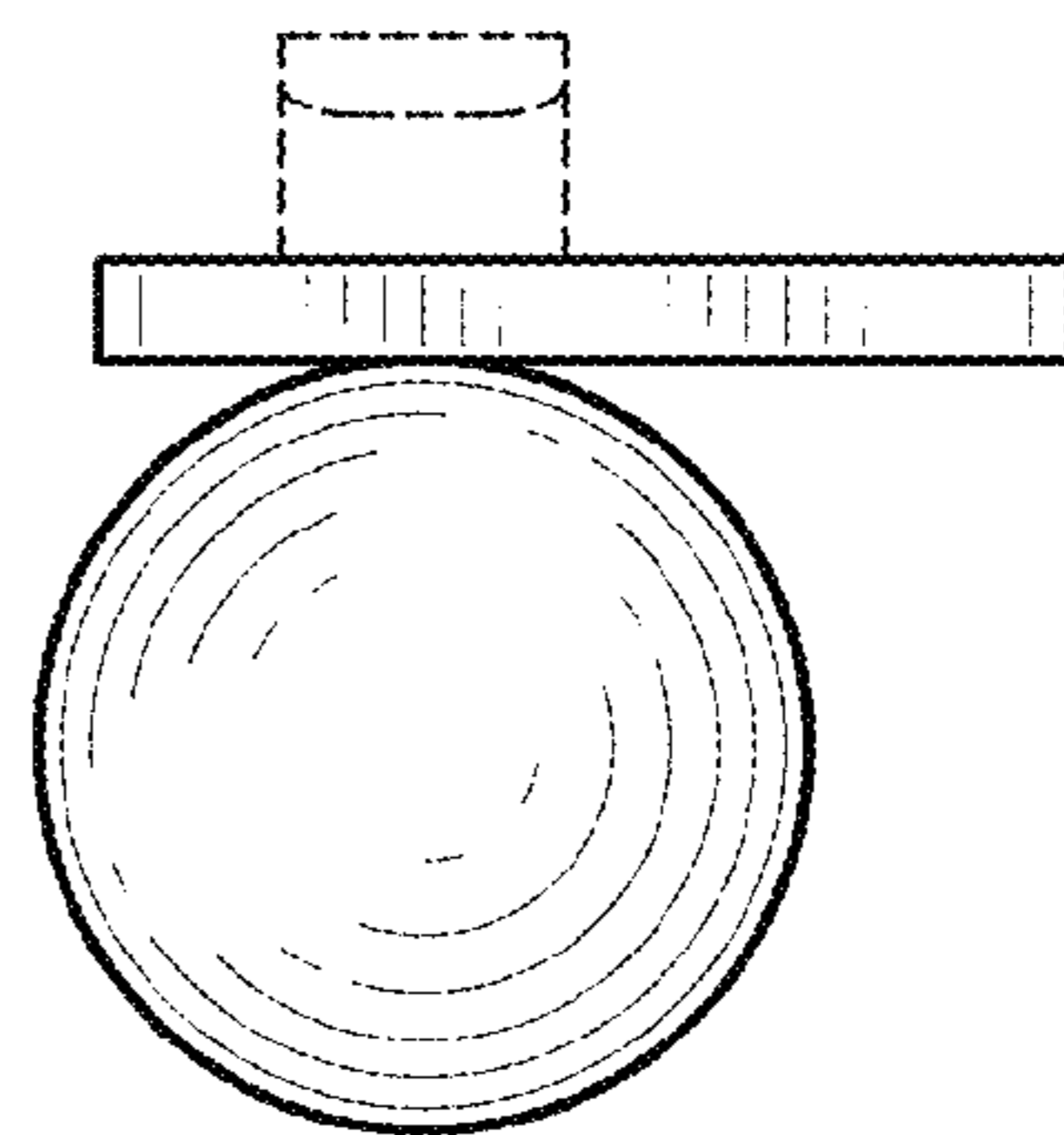


FIG 6