

US00D757862S

(12) **United States Design Patent**
Ryaa

(10) **Patent No.:** **US D757,862 S**
(45) **Date of Patent:** **** May 31, 2016**

(54) **BUILDING BLOCK FOR A TOY BUILDING SET**

(71) Applicant: **LEGO A/S**, Billund (DK)

(72) Inventor: **Jan Ryaa**, Billund (DK)

(73) Assignee: **LEGO A/S**, Billund (DK)

(**) Term: **15 Years**

(21) Appl. No.: **29/527,921**

(22) Filed: **May 22, 2015**

(30) **Foreign Application Priority Data**

Nov. 25, 2014 (DK) 854585501

(51) **LOC (10) Cl.** **21-01**

(52) **U.S. Cl.**
USPC **D21/503**; D21/497

(58) **Field of Classification Search**
USPC D21/386, 389, 404, 468, 470, 471,
D21/484–505; 446/69, 85, 102–128;
434/208, 259, 403; 273/153, 156, 160;
D25/113–116, 118

CPC A63H 33/00; A63H 33/04; A63H 33/06;
A63H 33/08; A63H 33/084; A63H 33/086;
A63H 33/088; A63H 33/10; A63H 33/105;
A63H 33/108; A63H 33/52

See application file for complete search history.

(56) **References Cited**

U.S. PATENT DOCUMENTS

4,792,319 A * 12/1988 Svagerko A63H 33/08
446/104

D313,438 S *	1/1991	Andersen	D21/503
D325,053 S *	3/1992	Skov	D21/504
D325,054 S *	3/1992	Skov	D21/504
D325,055 S *	3/1992	Skov	D21/504
D332,641 S *	1/1993	Skov	D21/504
D335,508 S *	5/1993	Skov	D21/489
D354,526 S *	1/1995	Ryaa	D21/489
D361,100 S *	8/1995	Skov	D21/503
D512,748 S *	12/2005	Hageman	D21/503
D588,211 S *	3/2009	Croston	D21/503
D689,953 S *	9/2013	Jensen	D21/485
D701,920 S *	4/2014	Andersen	D21/492

* cited by examiner

Primary Examiner — Cynthia M Chin

(74) *Attorney, Agent, or Firm* — Day Pitney LLP

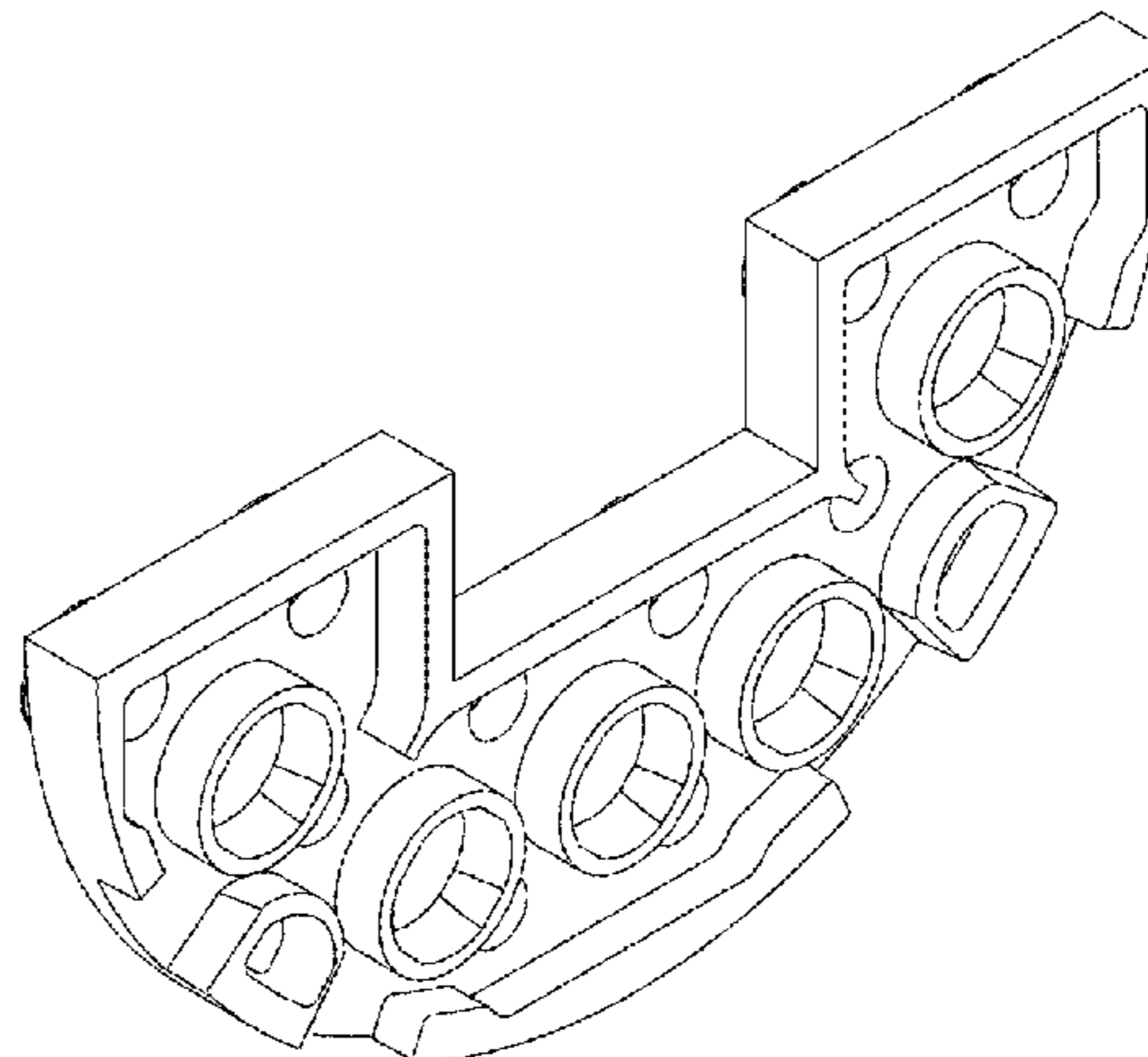
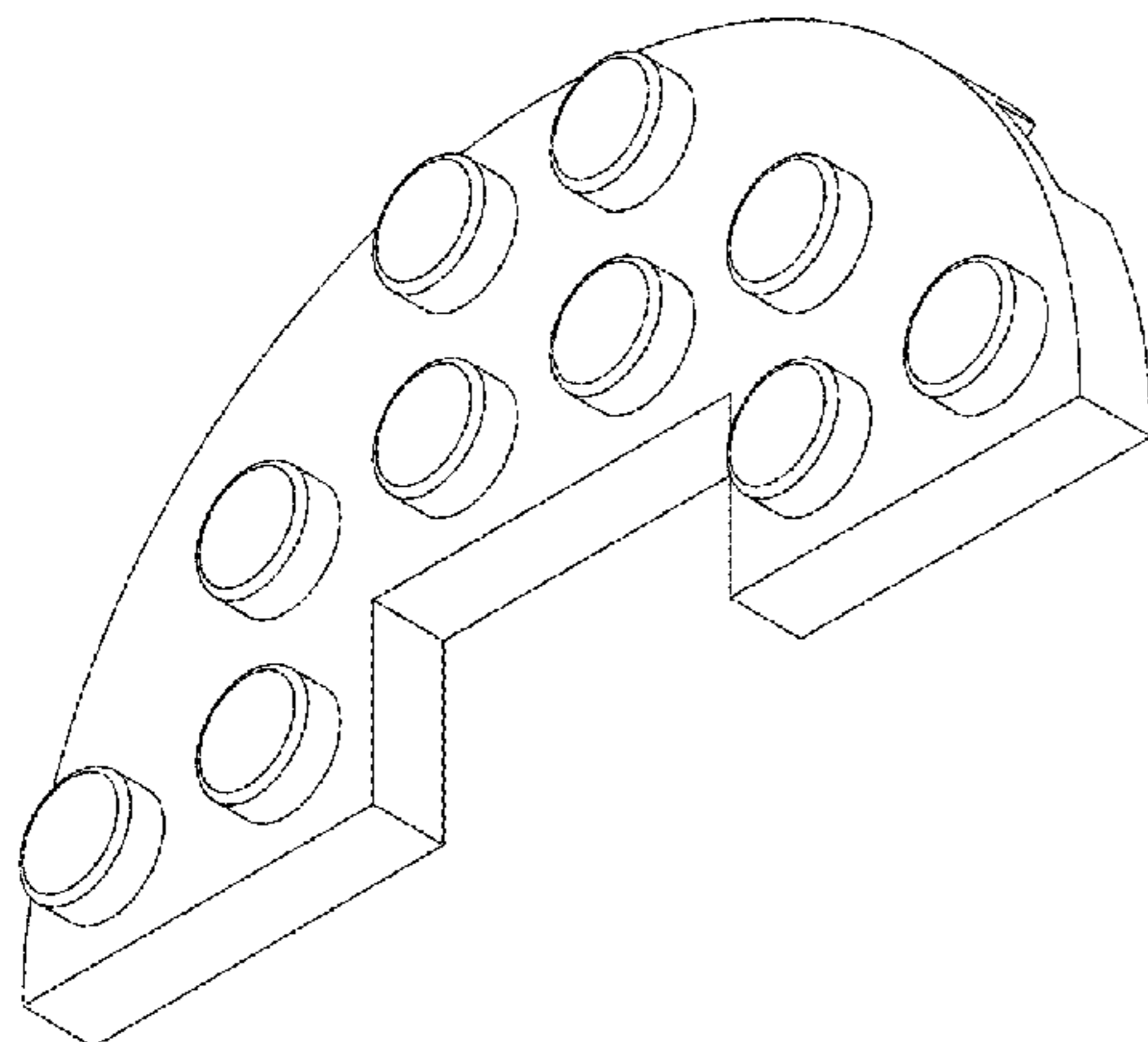
(57) **CLAIM**

The ornamental design for a building block for a toy building set, as shown and described.

DESCRIPTION

FIG. 1 is a top plan view of my ornamental design for a building block for a toy building set;
FIG. 2 is a top, right perspective view thereof;
FIG. 3 is a front side view thereof;
FIG. 4 is a left side view thereof;
FIG. 5 is a rear side view thereof;
FIG. 6 is a bottom plan view thereof; and,
FIG. 7 is a bottom, left perspective view thereof.

1 Claim, 7 Drawing Sheets



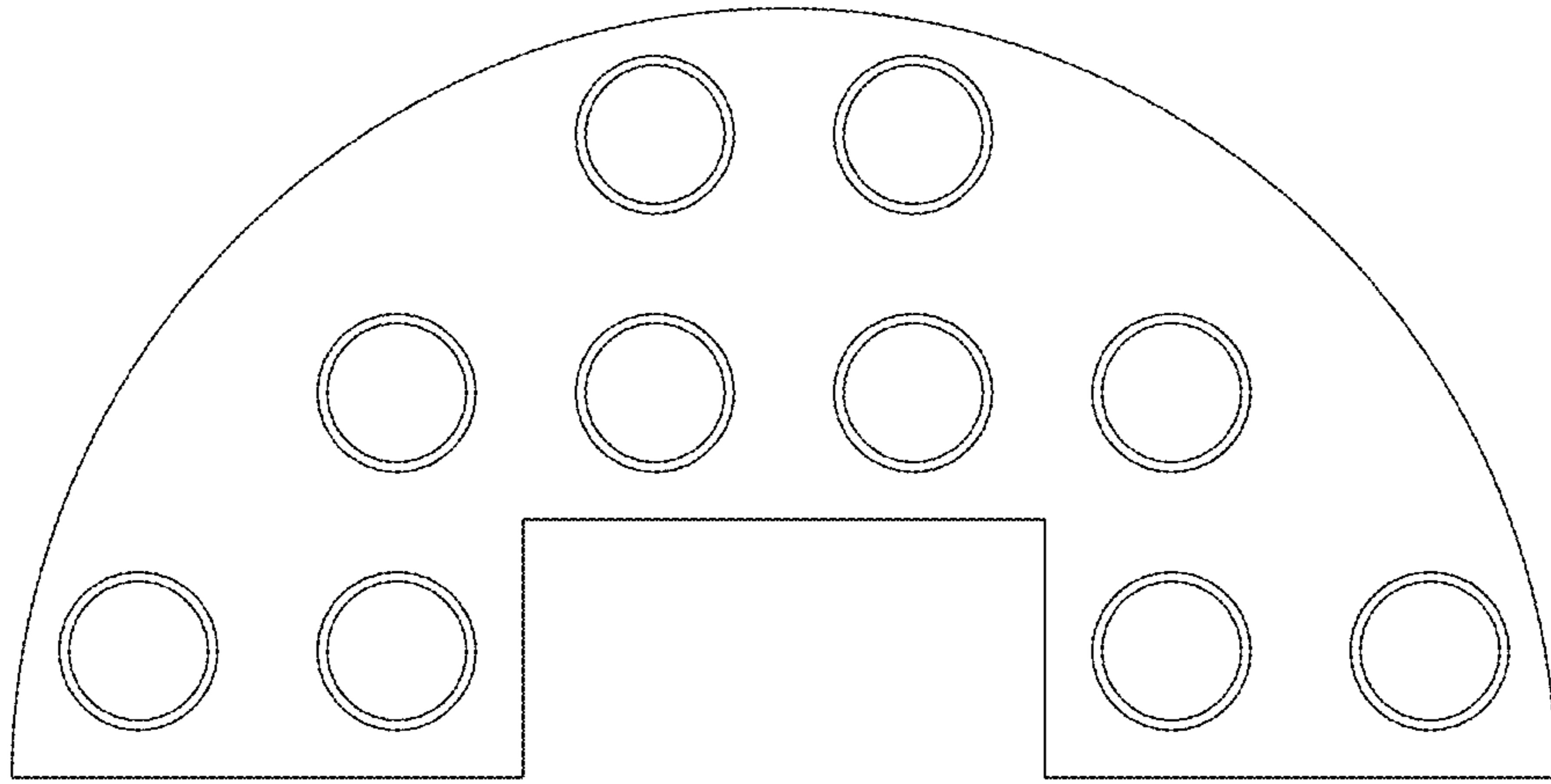


FIG. 1

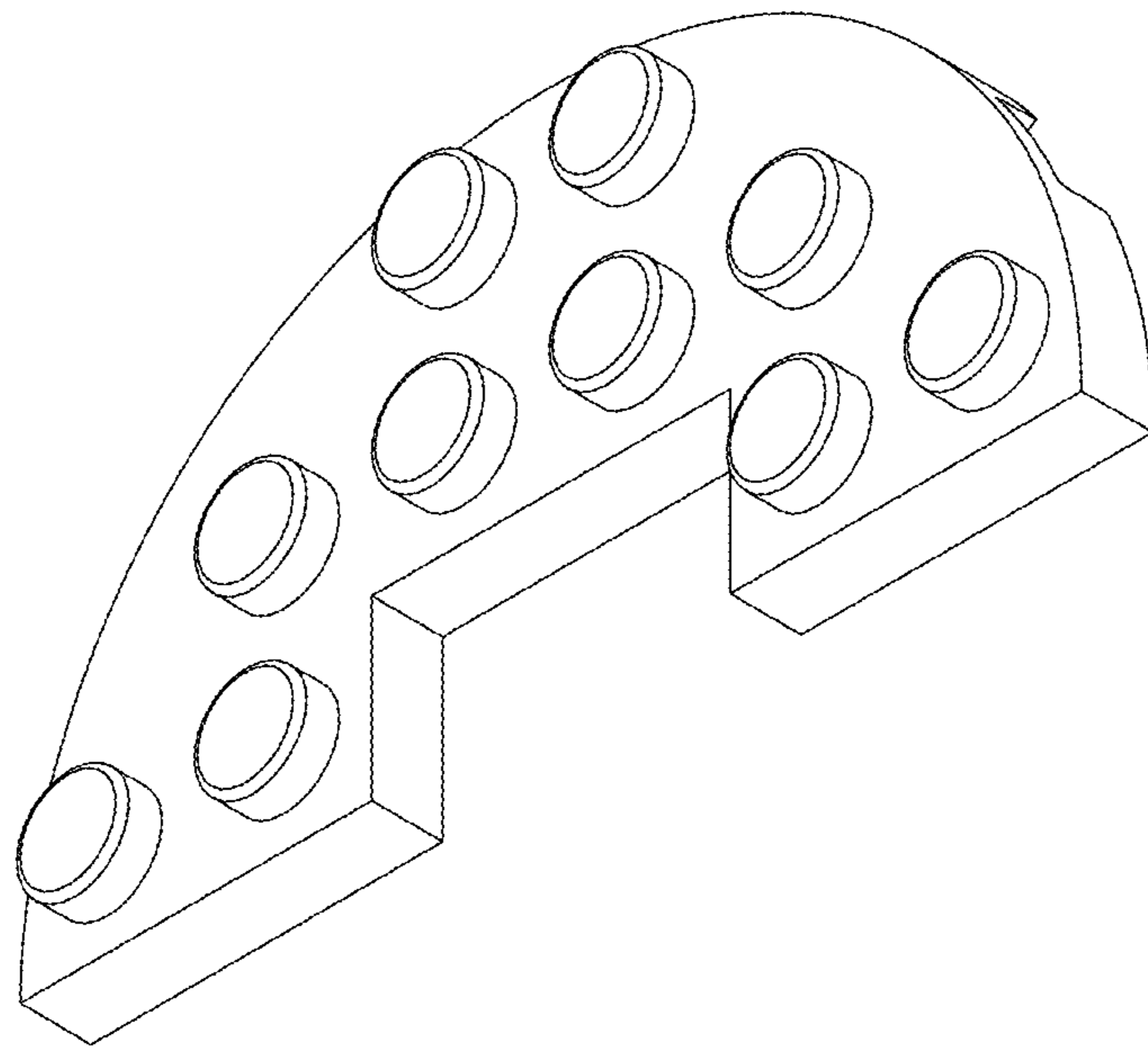


FIG. 2

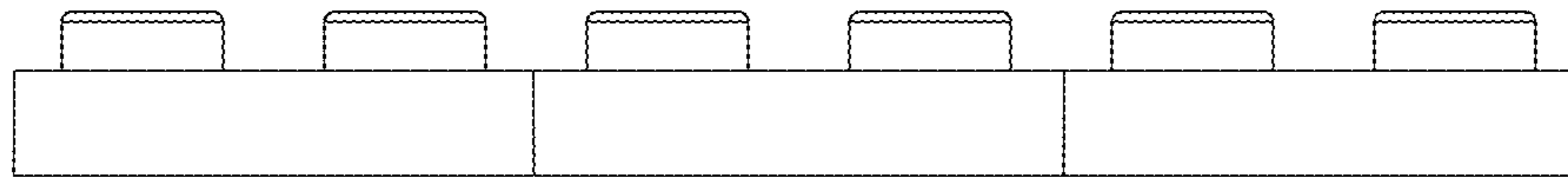


FIG. 3

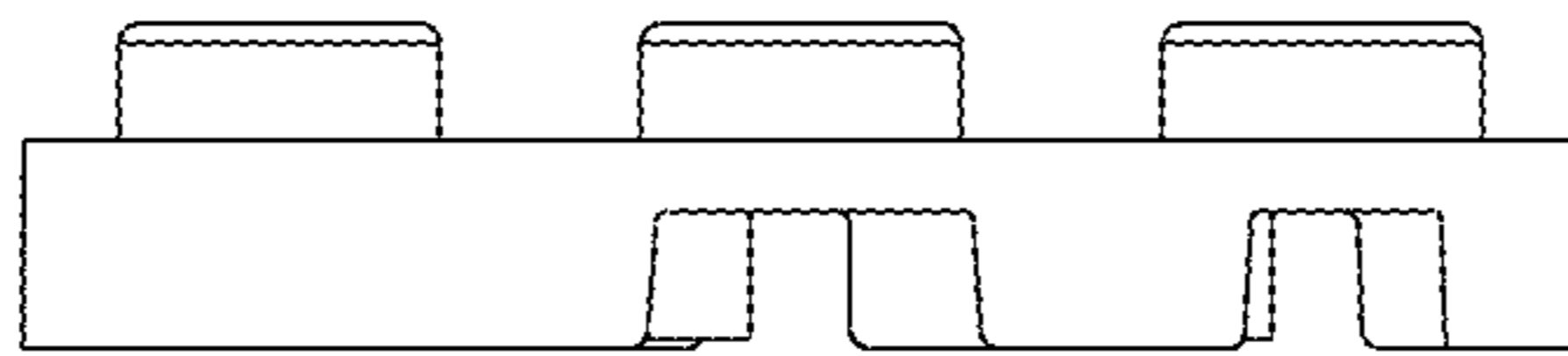


FIG. 4

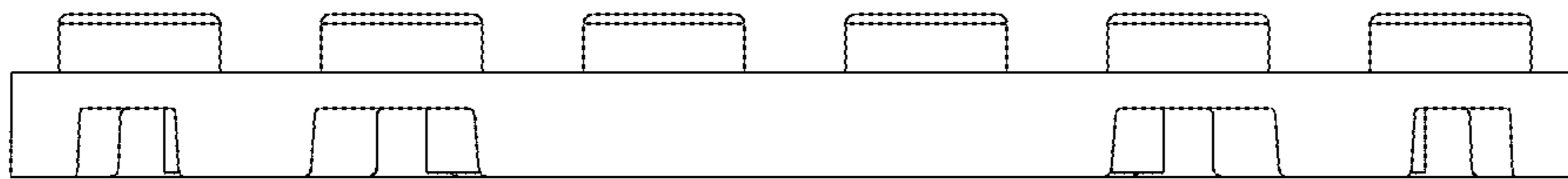


FIG. 5

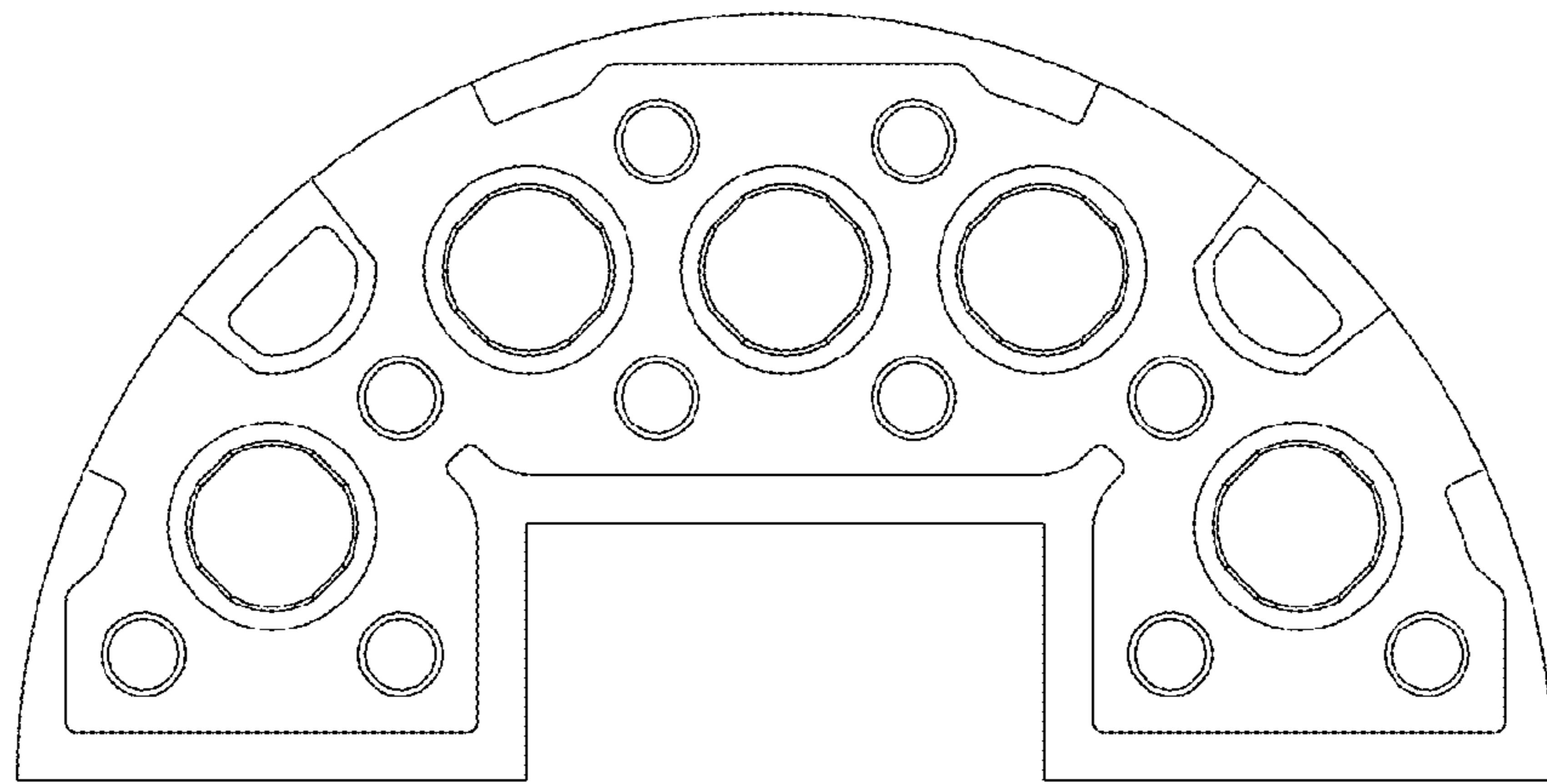


FIG. 6

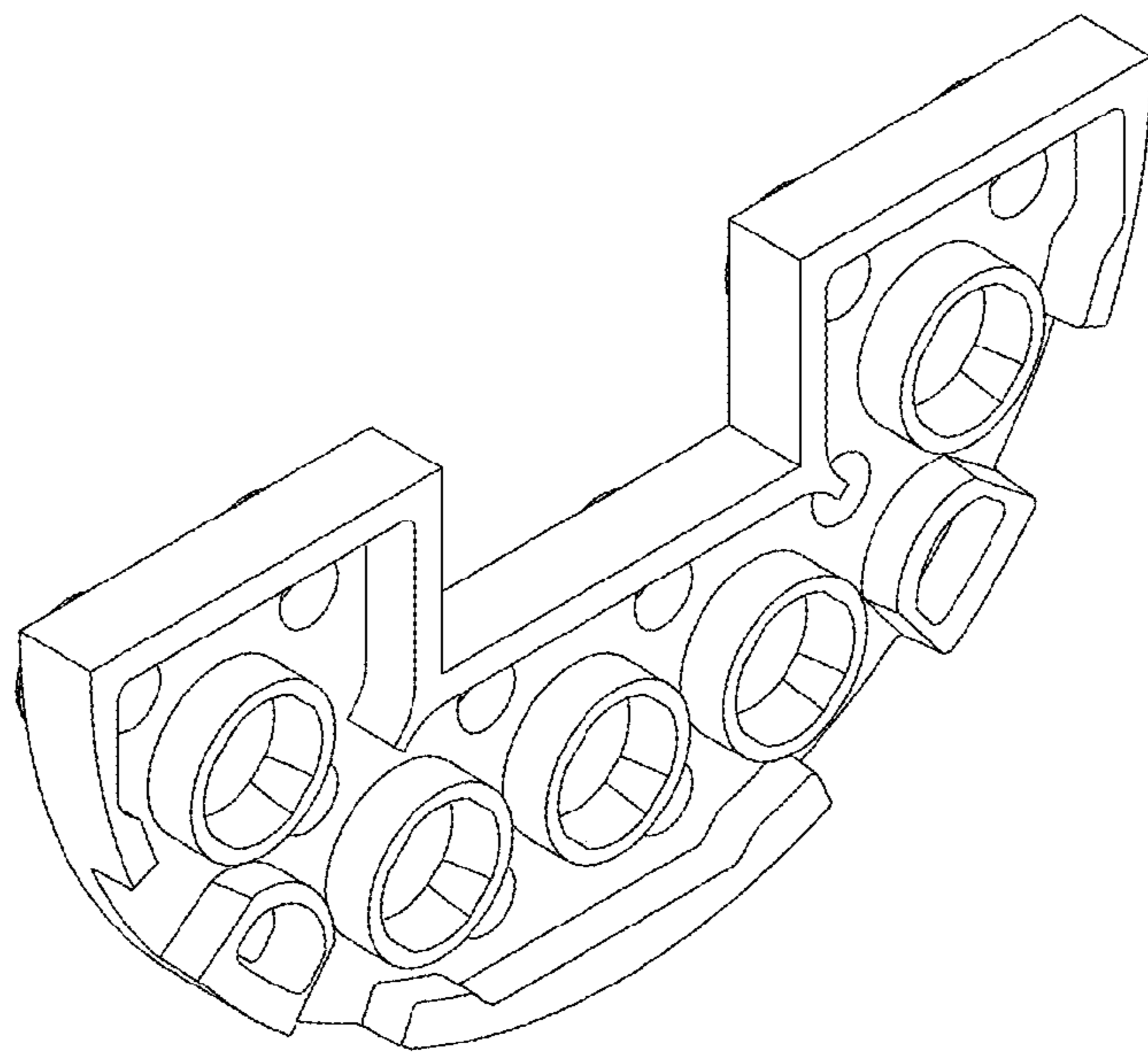


FIG. 7