



US00D757861S

(12) **United States Design Patent**  
**Ryaa**

(10) **Patent No.:** **US D757,861 S**  
(45) **Date of Patent:** **\*\* May 31, 2016**

(54) **BUILDING BLOCK FOR A TOY BUILDING SET**

(71) Applicant: **LEGO A/S**, Billund (DK)

(72) Inventor: **Jan Ryaa**, Billund (DK)

(73) Assignee: **LEGO A/S**, Billund (DK)

(\*\*) Term: **15 Years**

(21) Appl. No.: **29/527,925**

(22) Filed: **May 22, 2015**

(30) **Foreign Application Priority Data**

Nov. 25, 2014 (DK) ..... 854585501

(51) **LOC (10) Cl.** ..... **21-01**

(52) **U.S. Cl.**  
USPC ..... **D21/484**; D21/503

(58) **Field of Classification Search**  
USPC ..... D21/386, 389, 404, 468, 470, 471,  
D21/484-505; 446/69, 85, 102-128;  
434/208, 259, 403; 273/153, 156, 160;  
D25/113-116, 118  
CPC ..... A63H 33/00; A63H 33/04; A63H 33/06;  
A63H 33/08; A63H 33/084; A63H 33/086;  
A63H 33/088; A63H 33/10; A63H 33/105;  
A63H 33/108; A63H 33/52; A63H 3/00;  
A63H 3/16; A63H 3/46

See application file for complete search history.

(56) **References Cited**

U.S. PATENT DOCUMENTS

3,654,726	A *	4/1972	Witte	.....	A63H 33/042 446/103
4,551,109	A *	11/1985	Hanson	.....	A63H 33/001 446/465
D315,182	S *	3/1991	Olsen	.....	D21/502
D315,375	S *	3/1991	Olsen	.....	D21/503
D317,474	S *	6/1991	Olsen	.....	D21/502
D317,475	S *	6/1991	Olsen	.....	D21/502
D317,955	S *	7/1991	Olsen	.....	D21/502
5,049,104	A *	9/1991	Olsen	.....	A63H 33/042 403/156
D357,410	S *	4/1995	Rask	.....	D21/503
D364,658	S *	11/1995	Bromso	.....	D21/503
6,692,332	B2 *	2/2004	Jheow	.....	A63H 3/46 446/383
D689,956	S *	9/2013	Chan	.....	D21/501
D707,304	S *	6/2014	Norman	.....	D21/503
9,067,147	B1 *	6/2015	Woodhouse	.....	A63H 3/16

\* cited by examiner

*Primary Examiner* — Cynthia M Chin

(74) *Attorney, Agent, or Firm* — Day Pitney LLP

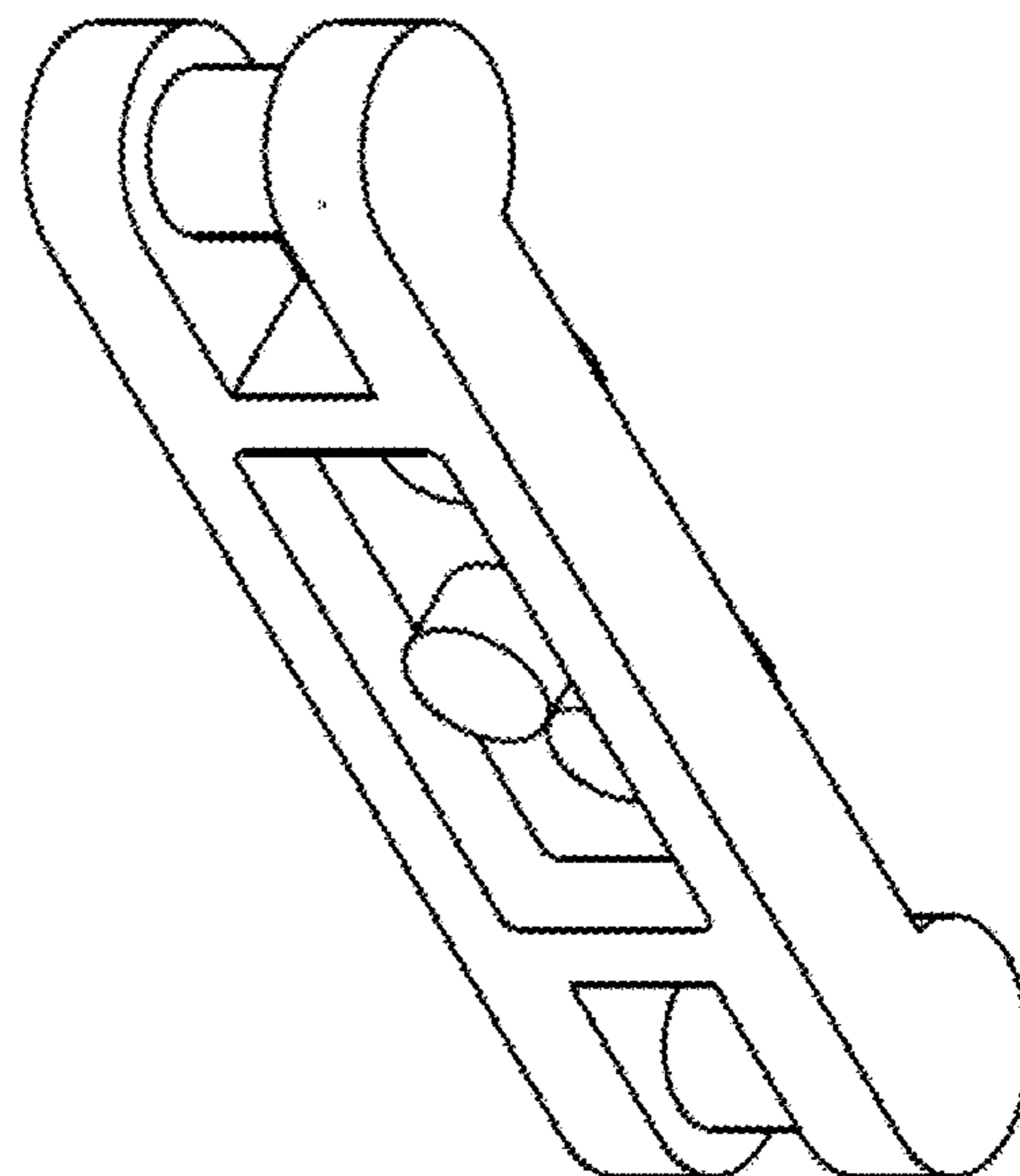
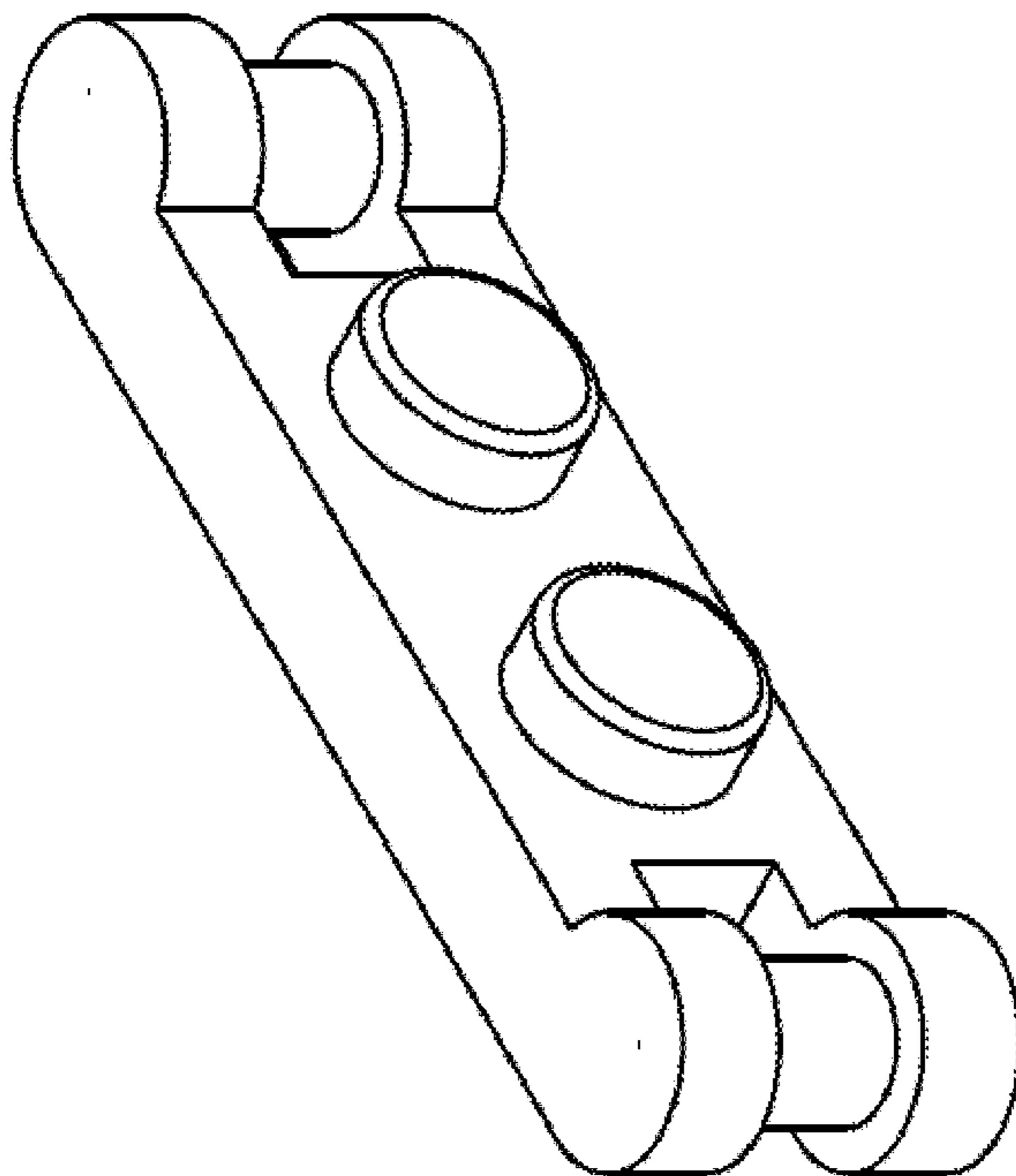
(57) **CLAIM**

The ornamental design for a building block for a toy building set, as shown and described.

**DESCRIPTION**

FIG. 1 is a top plan view of my ornamental design for a building block for a toy building set;  
FIG. 2 is a top, right perspective view thereof;  
FIG. 3 is a front side view thereof;  
FIG. 4 is a left or right side view thereof;  
FIG. 5 is a bottom plan view thereof; and,  
FIG. 6 is a bottom, right perspective view thereof.

**1 Claim, 6 Drawing Sheets**



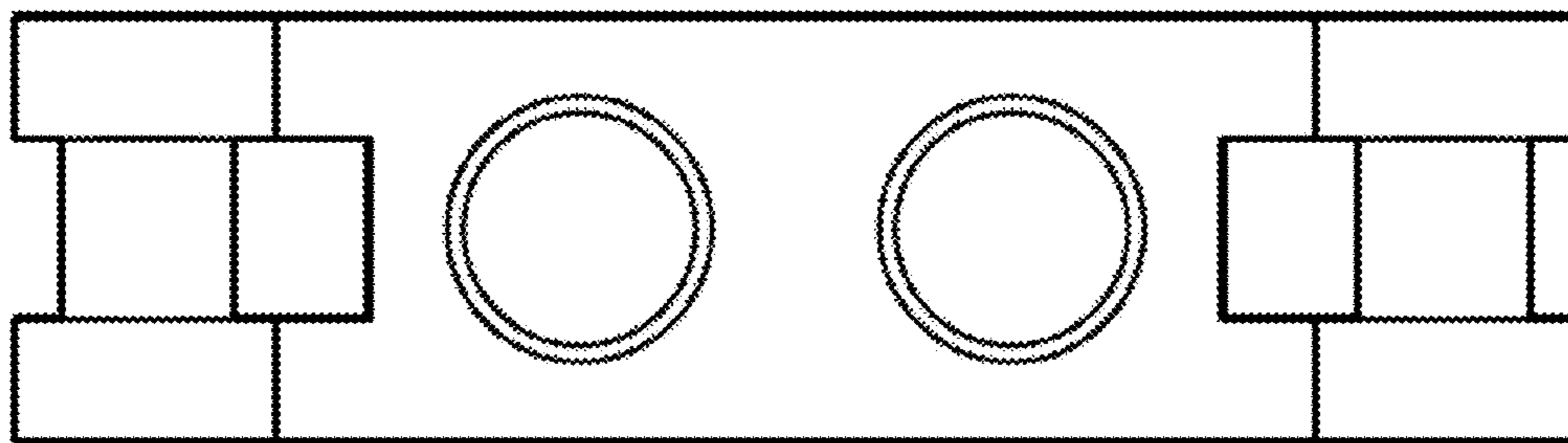


FIG. 1

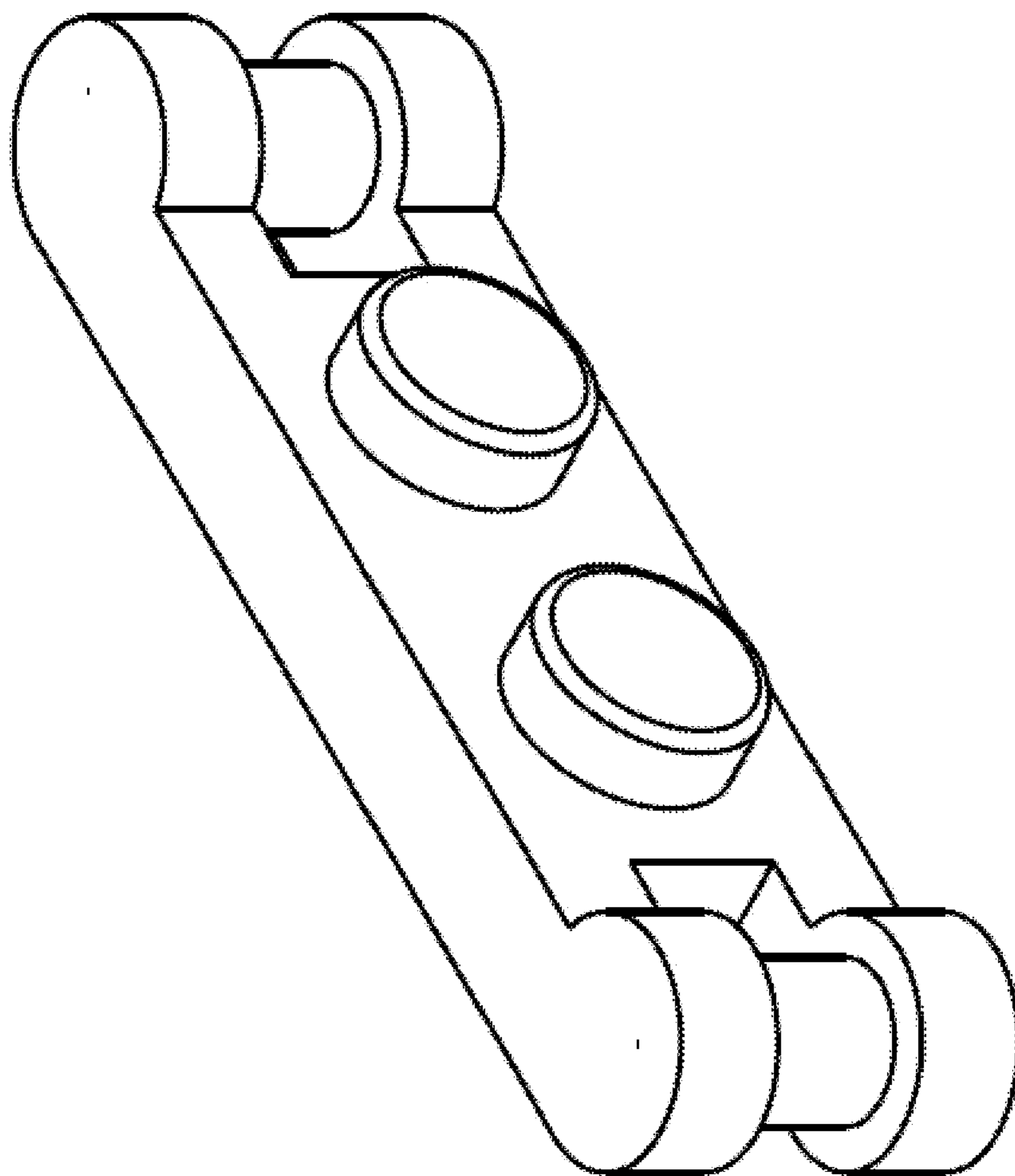


FIG. 2

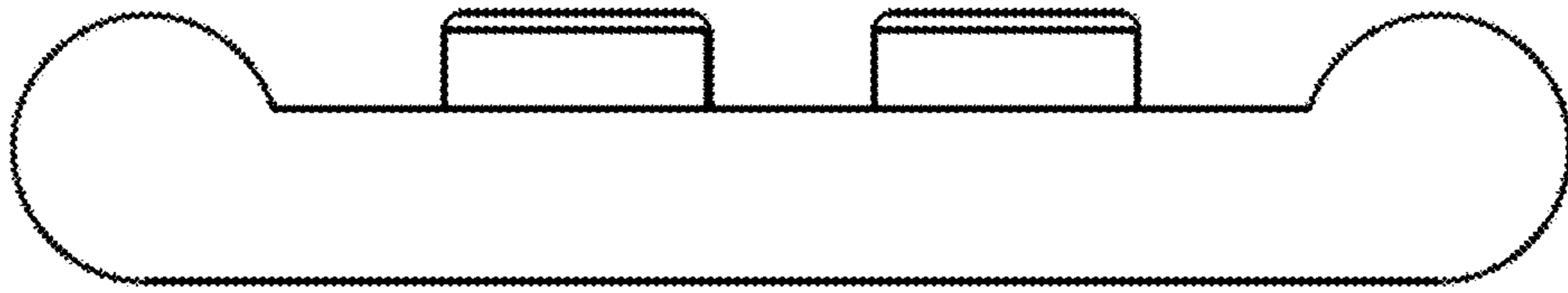


FIG. 3

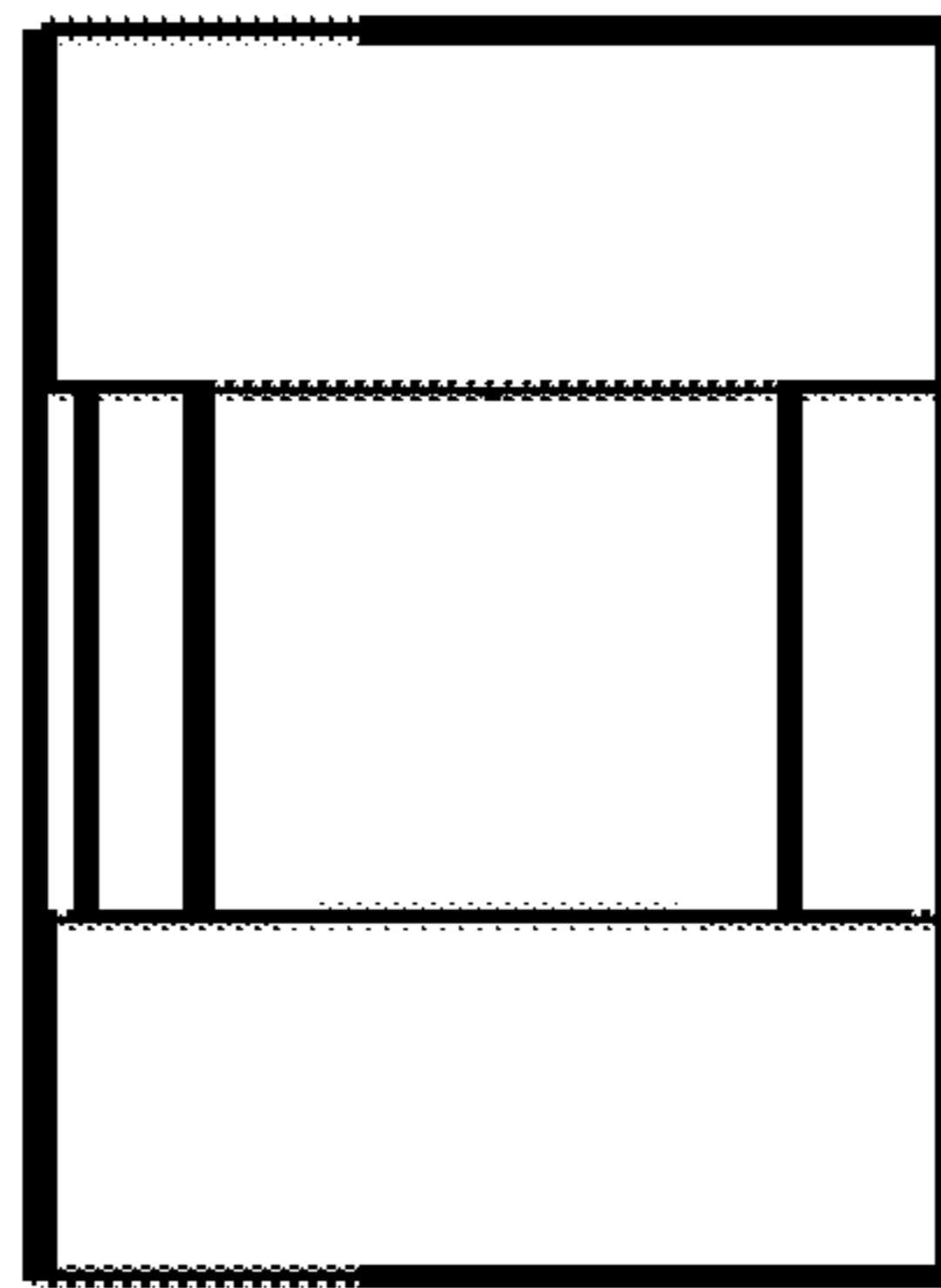


FIG. 4

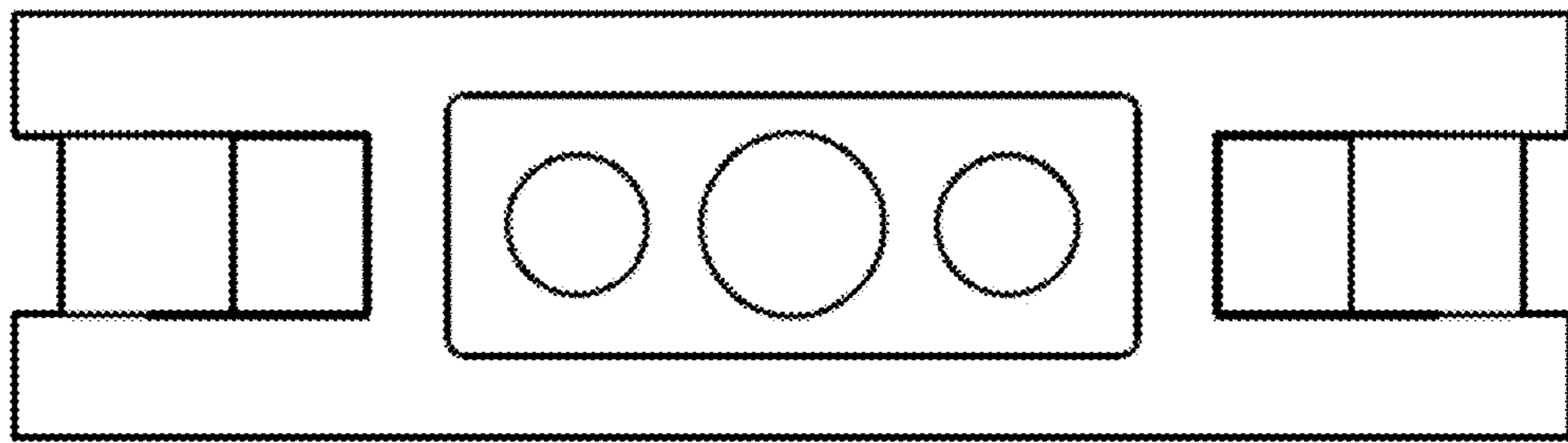


FIG. 5

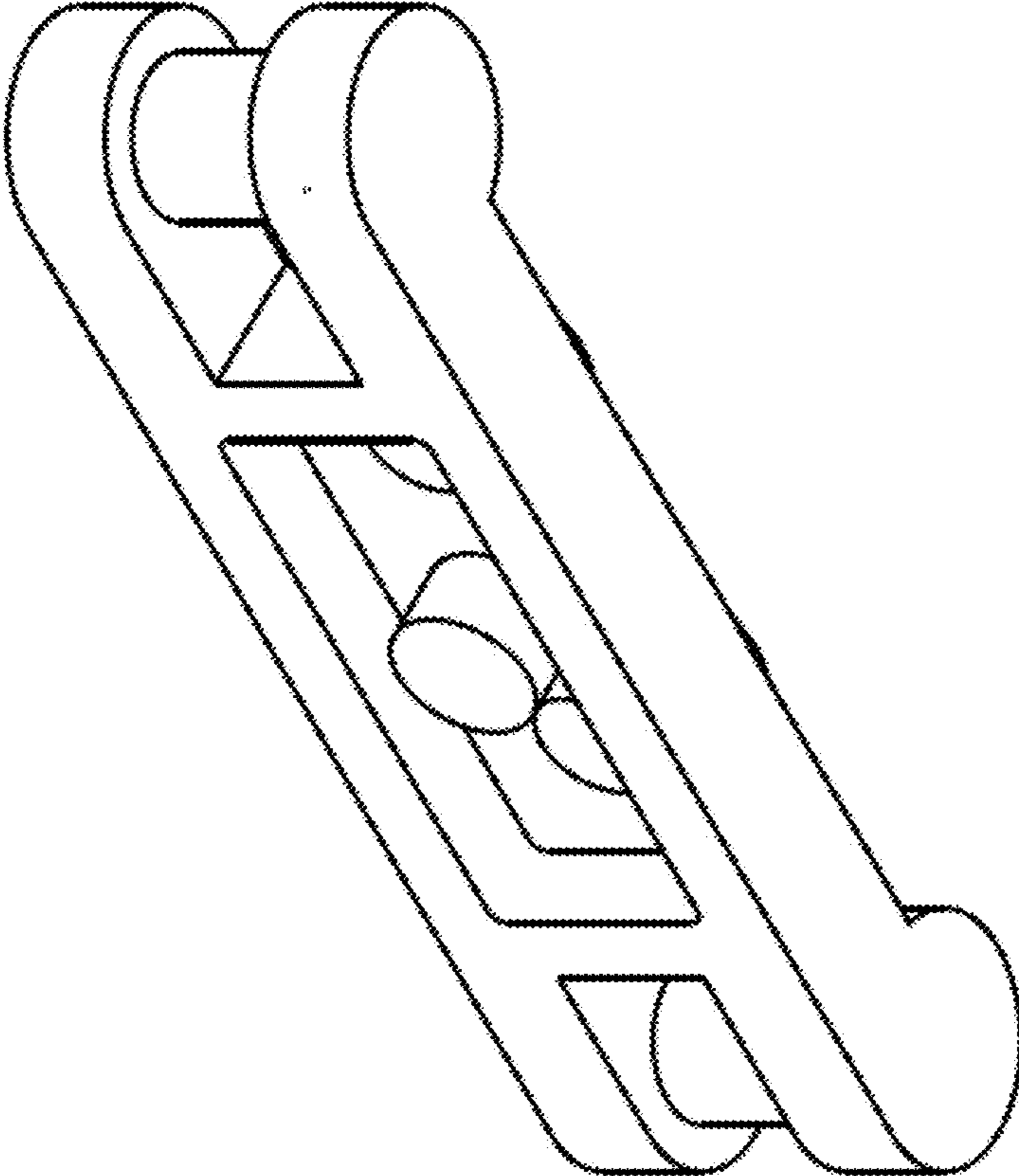


FIG. 6