



US00D757855S

(12) **United States Design Patent**  
**Kott**

(10) **Patent No.:** **US D757,855 S**  
(45) **Date of Patent:** **\*\* May 31, 2016**

(54) **SIGN STAND**

(71) Applicant: **Ilten Products Ltd.**, Richmond (CA)

(72) Inventor: **Marla Kott**, Richmond (CA)

(73) Assignee: **Ilten Products Ltd.**, Richmond (CA)

(\*\*) Term: **14 Years**

(21) Appl. No.: **29/485,189**

(22) Filed: **Mar. 17, 2014**

(30) **Foreign Application Priority Data**

Jan. 31, 2014 (CA) ..... 155002

(51) **LOC (10) Cl.** ..... **20-03**

(52) **U.S. Cl.**  
USPC ..... **D20/43**

(58) **Field of Classification Search**

USPC ..... D20/10, 19, 39-43, 99; D10/109.1,  
D10/109.2, 113.4

CPC ..... G09F 1/10; G09F 3/08; G09F 3/16;  
G09F 3/18; G09F 3/20; G09F 3/201; G09F  
3/202; G09F 3/203; G09F 3/204; G09F 7/00;  
G09F 7/02; G09F 7/06; G09F 7/08; G09F  
7/18; G09F 7/20; G09F 7/22; G09F 9/00;  
G09F 11/00; G09F 13/00; G09F 13/002;  
G09F 13/04; G09F 15/00; G09F 15/0012;  
G09F 15/0037; G09F 15/02; G09F 2007/1821;  
G09F 2007/1834; G09F 2013/0431; G09F  
2013/0495

See application file for complete search history.

(56) **References Cited**

**U.S. PATENT DOCUMENTS**

580,858 A \* 4/1897 Gibson ..... G09F 1/06  
248/459  
D346,594 S \* 5/1994 Skaggs ..... D14/375  
D458,969 S \* 6/2002 Lakin ..... D20/10

D495,370 S \* 8/2004 Loerop ..... D20/10  
D582,984 S \* 12/2008 Mininger ..... D20/10  
D595,512 S \* 7/2009 Chen ..... D14/371  
D644,694 S \* 9/2011 Liang ..... D20/43  
D661,124 S \* 6/2012 Curbbun ..... D20/10  
D709,132 S \* 7/2014 Dougherty ..... D20/19  
2011/0203150 A1 \* 8/2011 Buncher ..... G09F 3/202  
40/649

**OTHER PUBLICATIONS**

Imprint Plus 2008 Catalog, Jan. 23, 2008, pp. 1-3.

\* cited by examiner

*Primary Examiner* — Mary Ann Calabrese

(74) *Attorney, Agent, or Firm* — Thomas W. Bailey; Oyen  
Wiggs Green & Mutala LLP

(57) **CLAIM**

The ornamental design for a sign stand, as shown and  
described.

**DESCRIPTION**

FIG. 1 is a perspective view of a first embodiment of the  
applicant's sign stand in accordance with the design;

FIG. 2 is a top view thereof;

FIG. 3 is a bottom view thereof;

FIG. 4 is a first side view thereof;

FIG. 5 is a second side view thereof;

FIG. 6 is a front view thereof;

FIG. 7 is a rear view thereof;

FIG. 8 is a second perspective, exploded view thereof show-  
ing the cover removed from the sign panel;

FIG. 9 is a perspective view of a second embodiment of the  
sign stand;

FIG. 10 is a top view thereof;

FIG. 11 is a bottom view thereof;

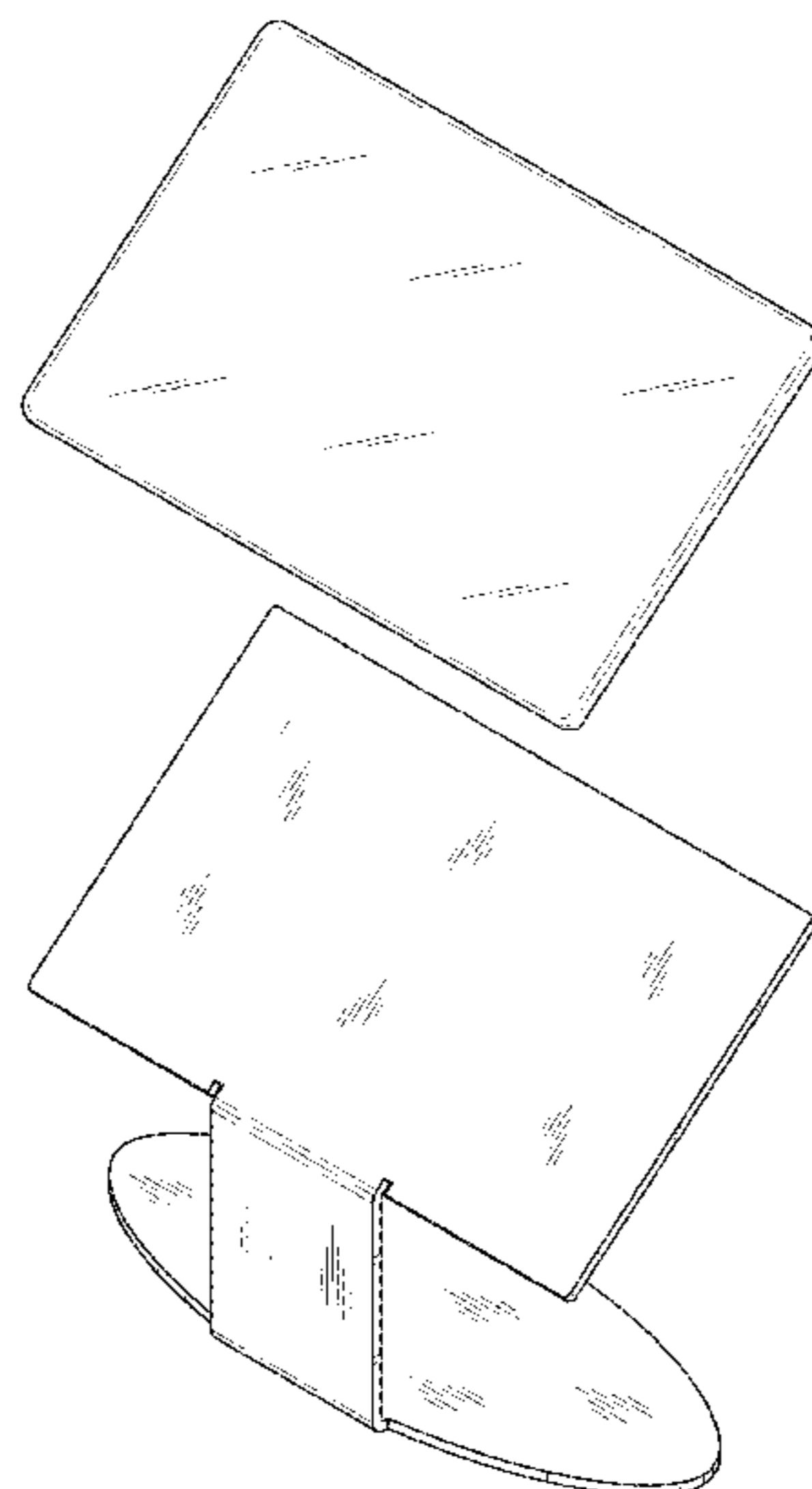
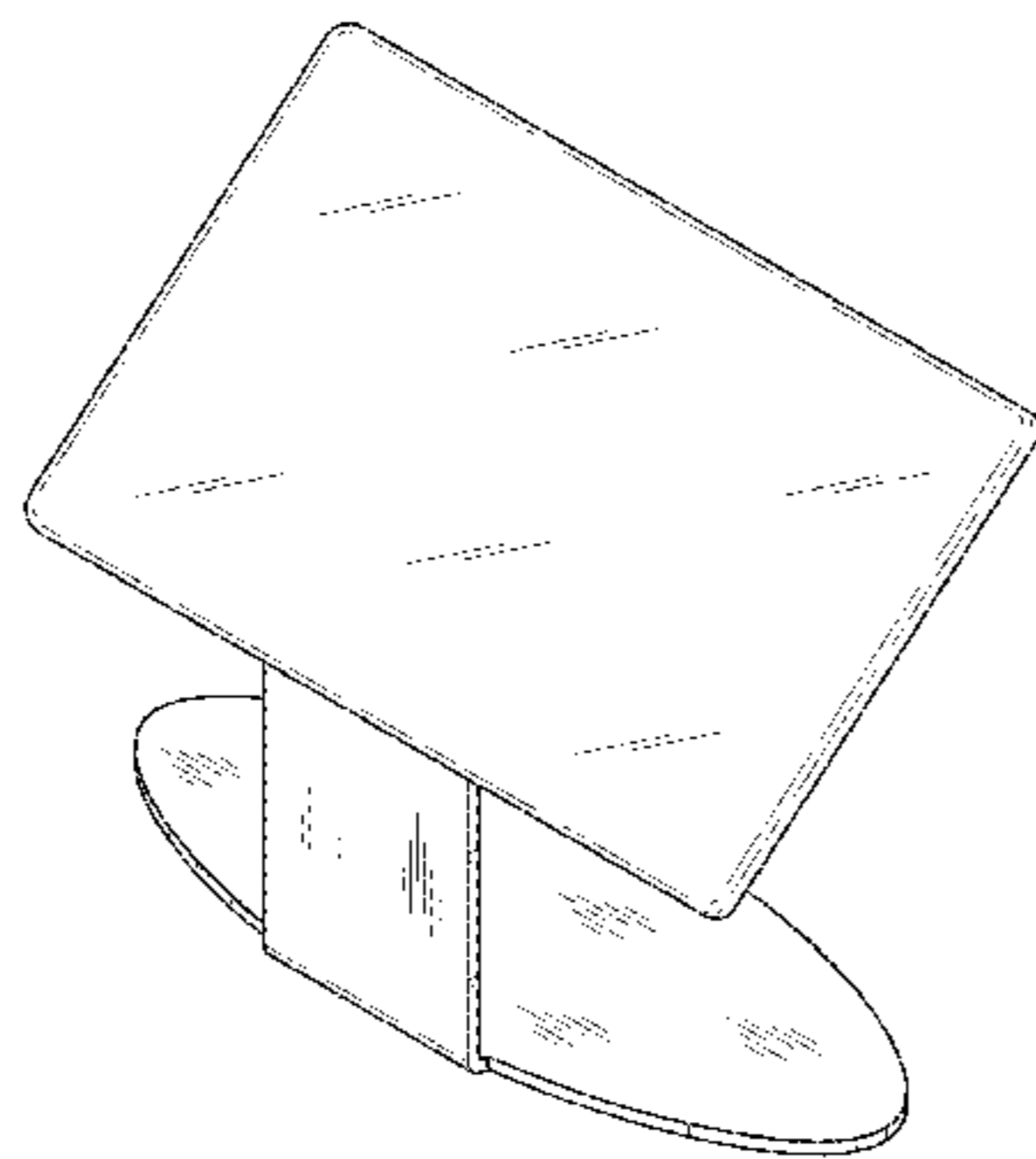
FIG. 12 is a first side view thereof;

FIG. 13 is a second side view thereof;

FIG. 14 is a front view thereof; and,

FIG. 15 is a rear view thereof.

**1 Claim, 9 Drawing Sheets**



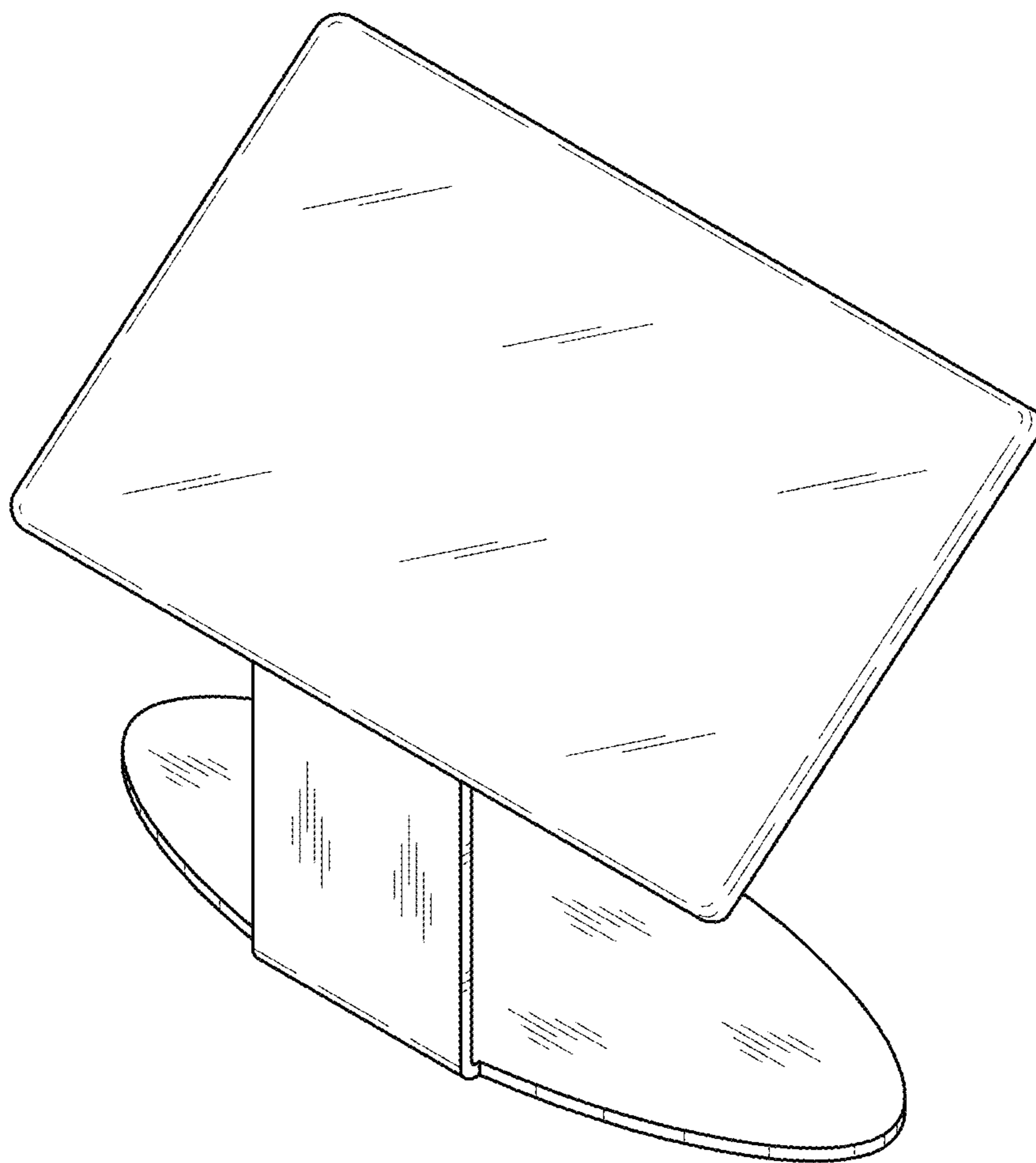


FIG. 1

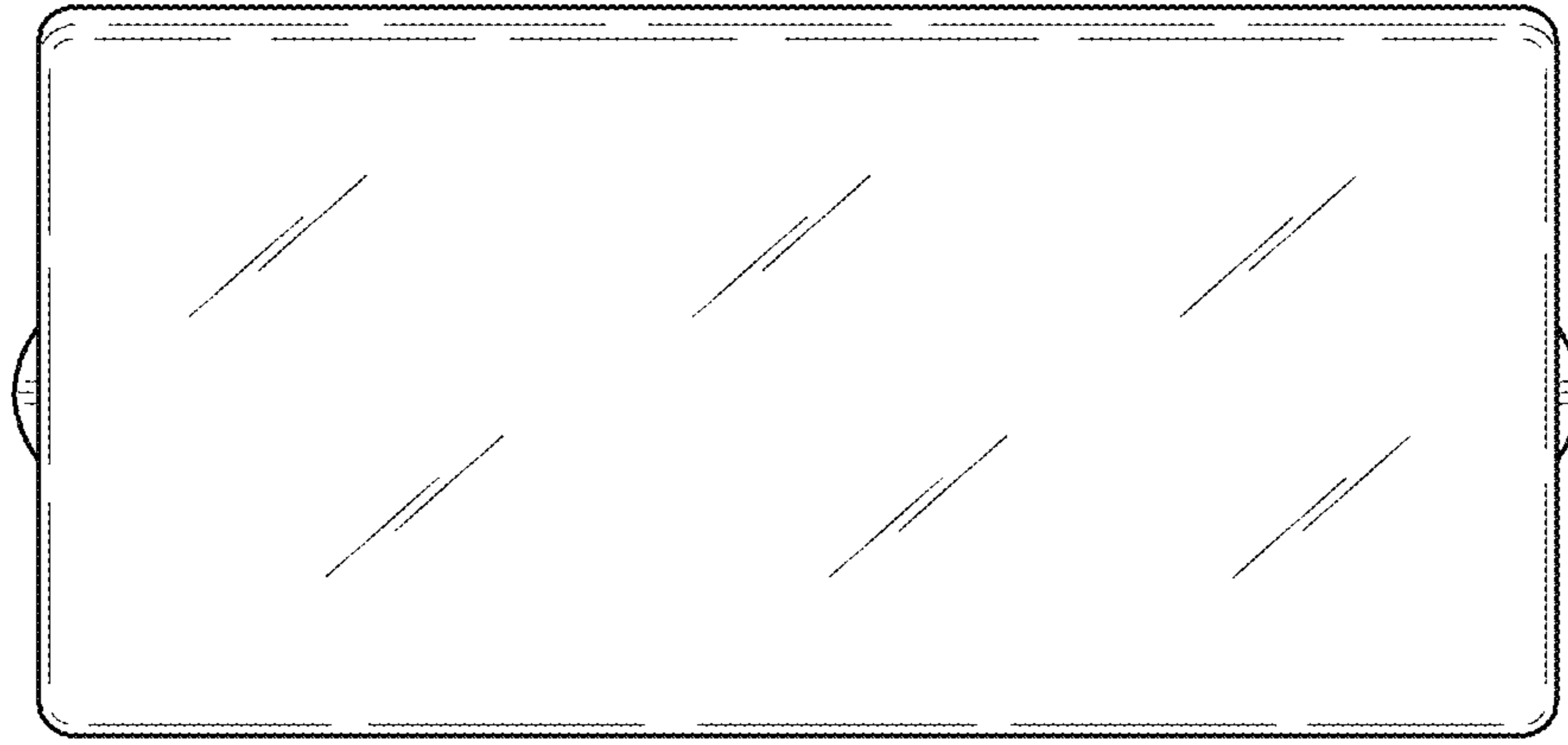


FIG. 2

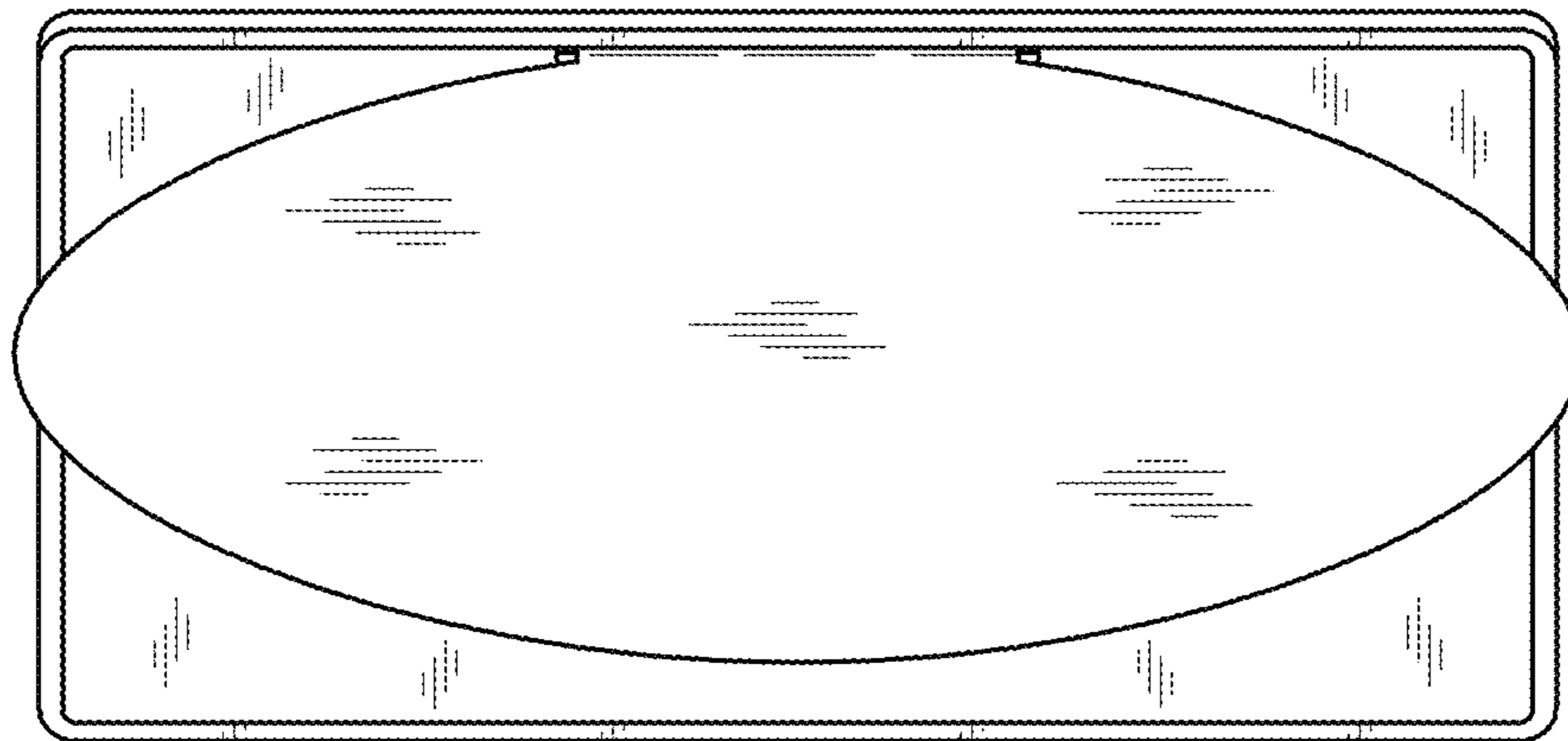


FIG. 3

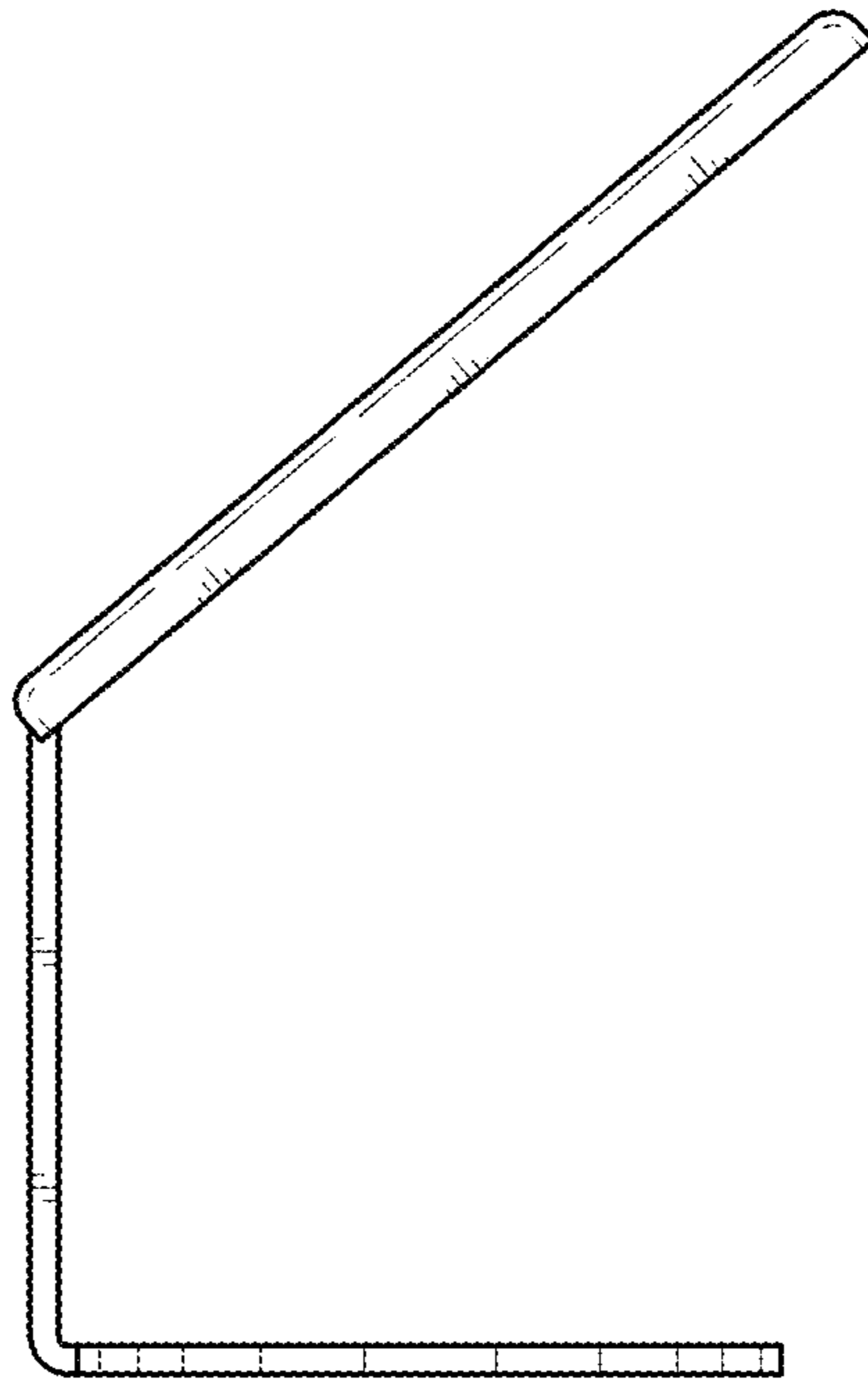


FIG. 4

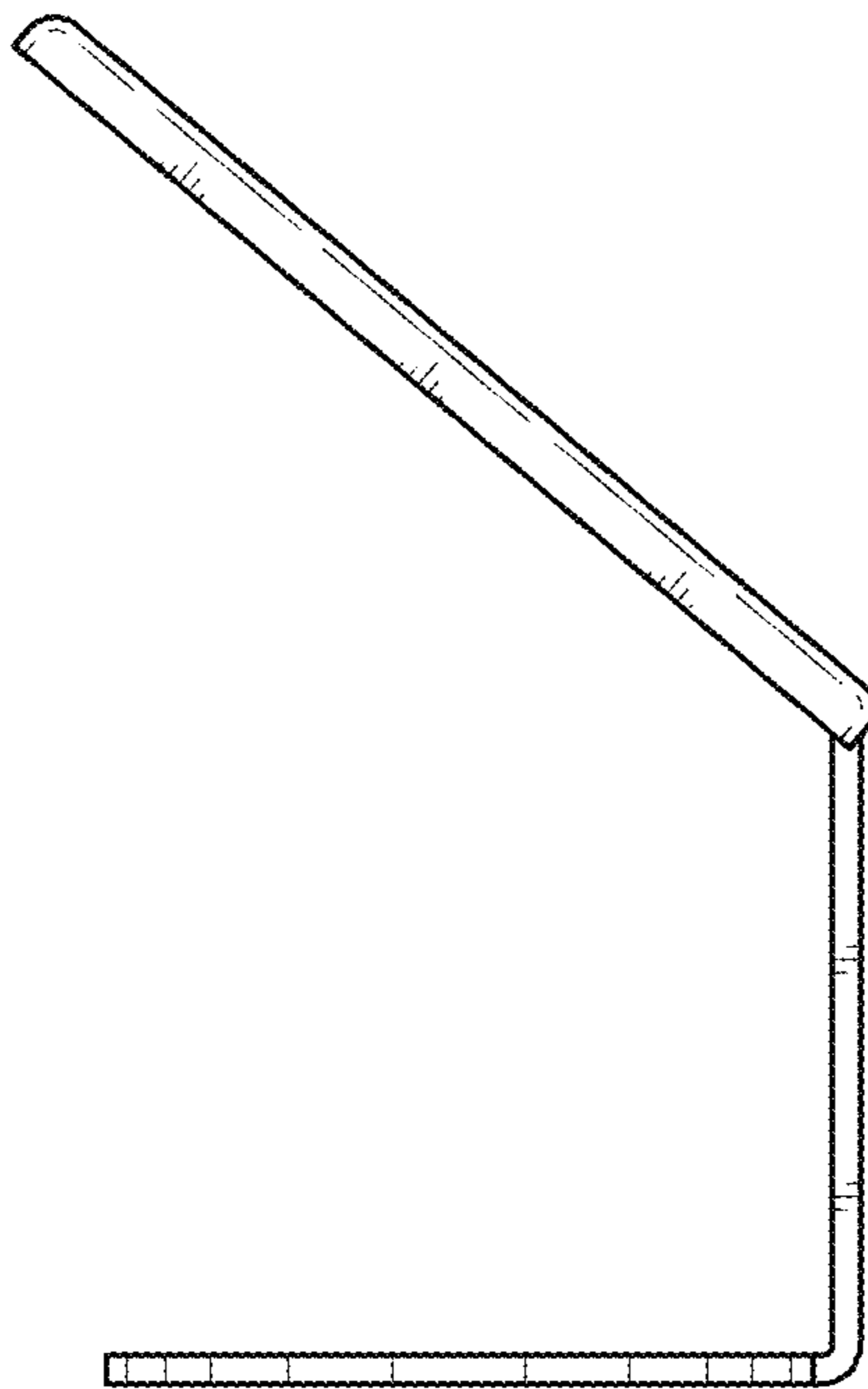


FIG. 5

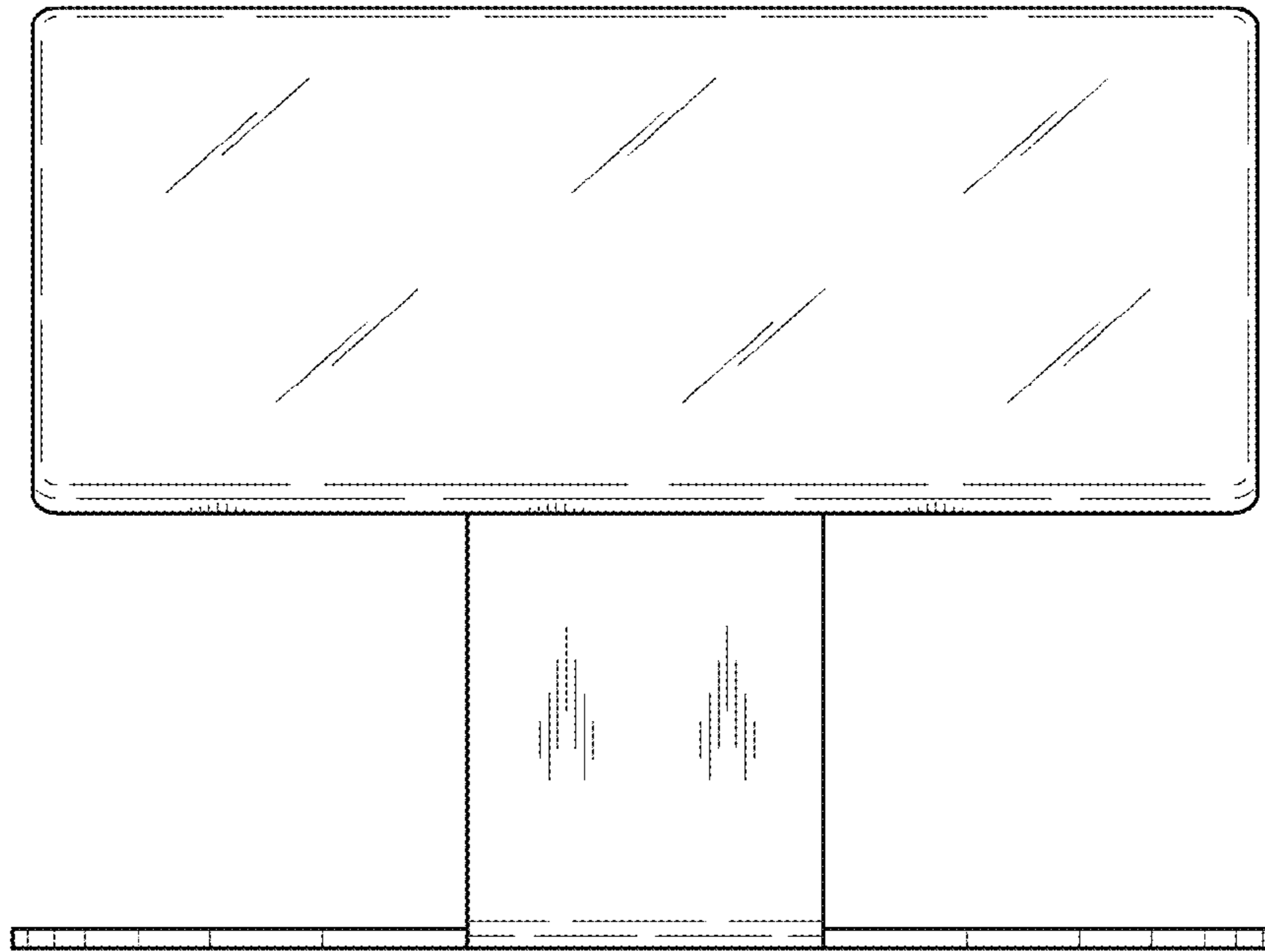


FIG. 6

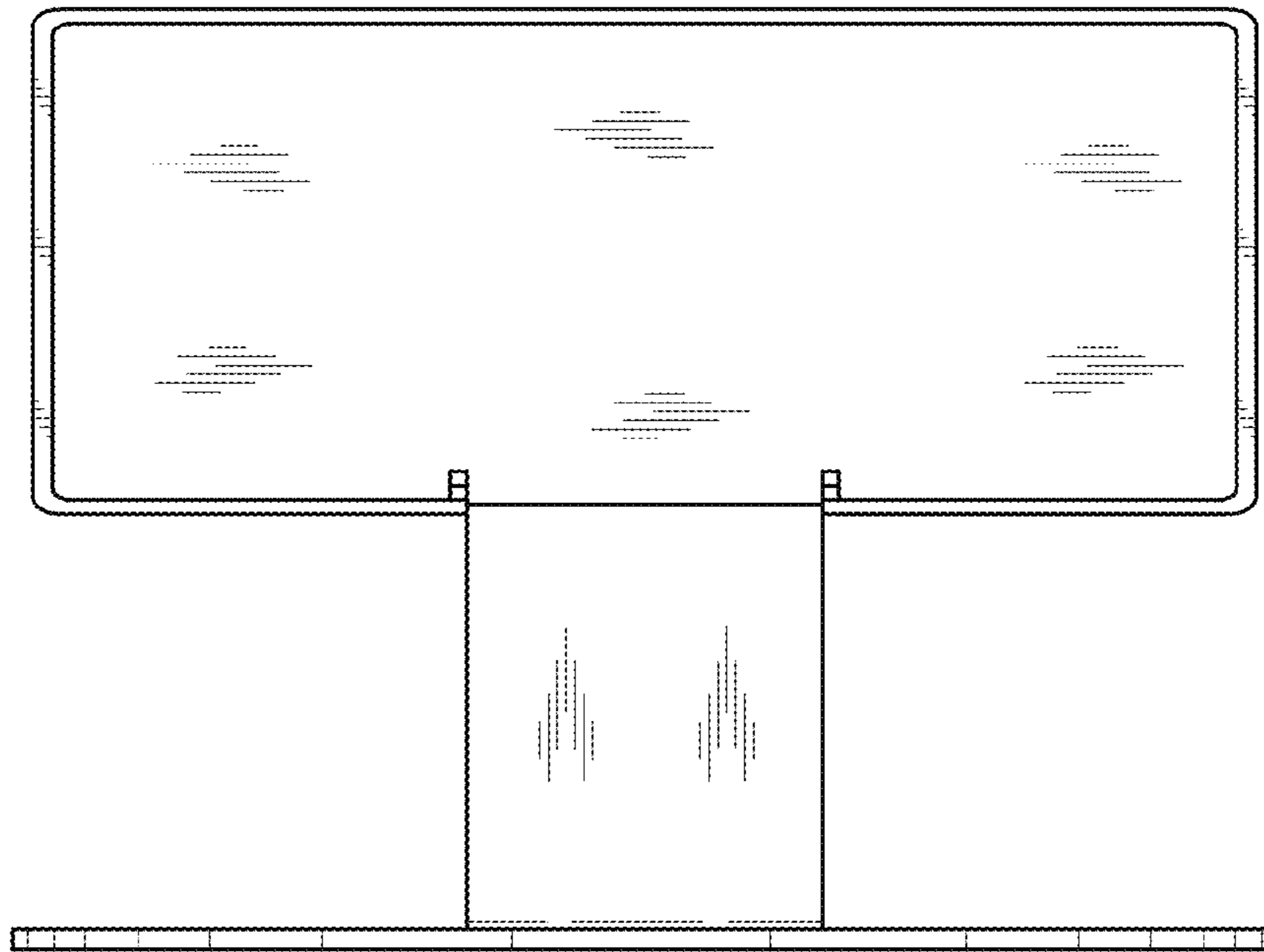


FIG. 7

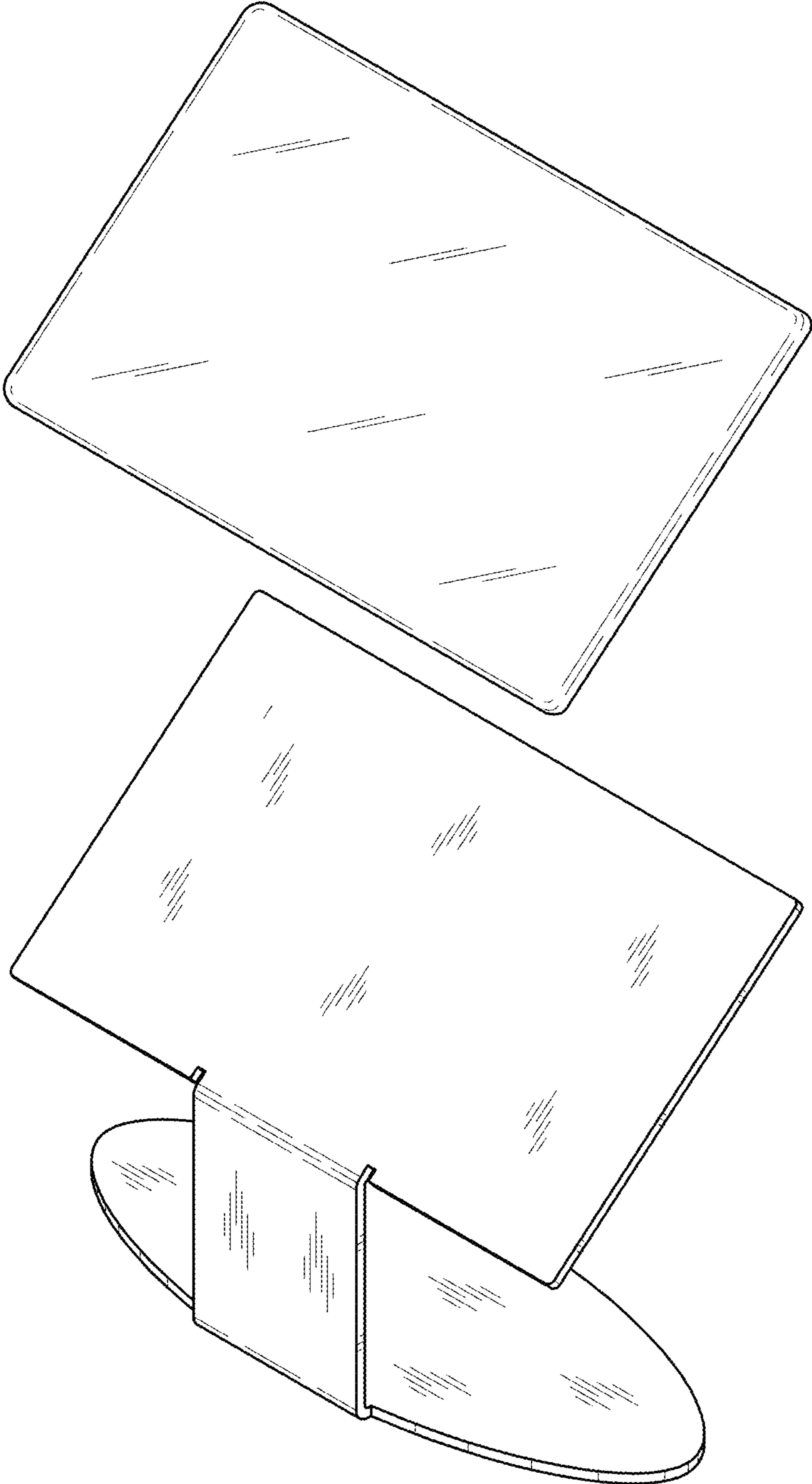


FIG. 8

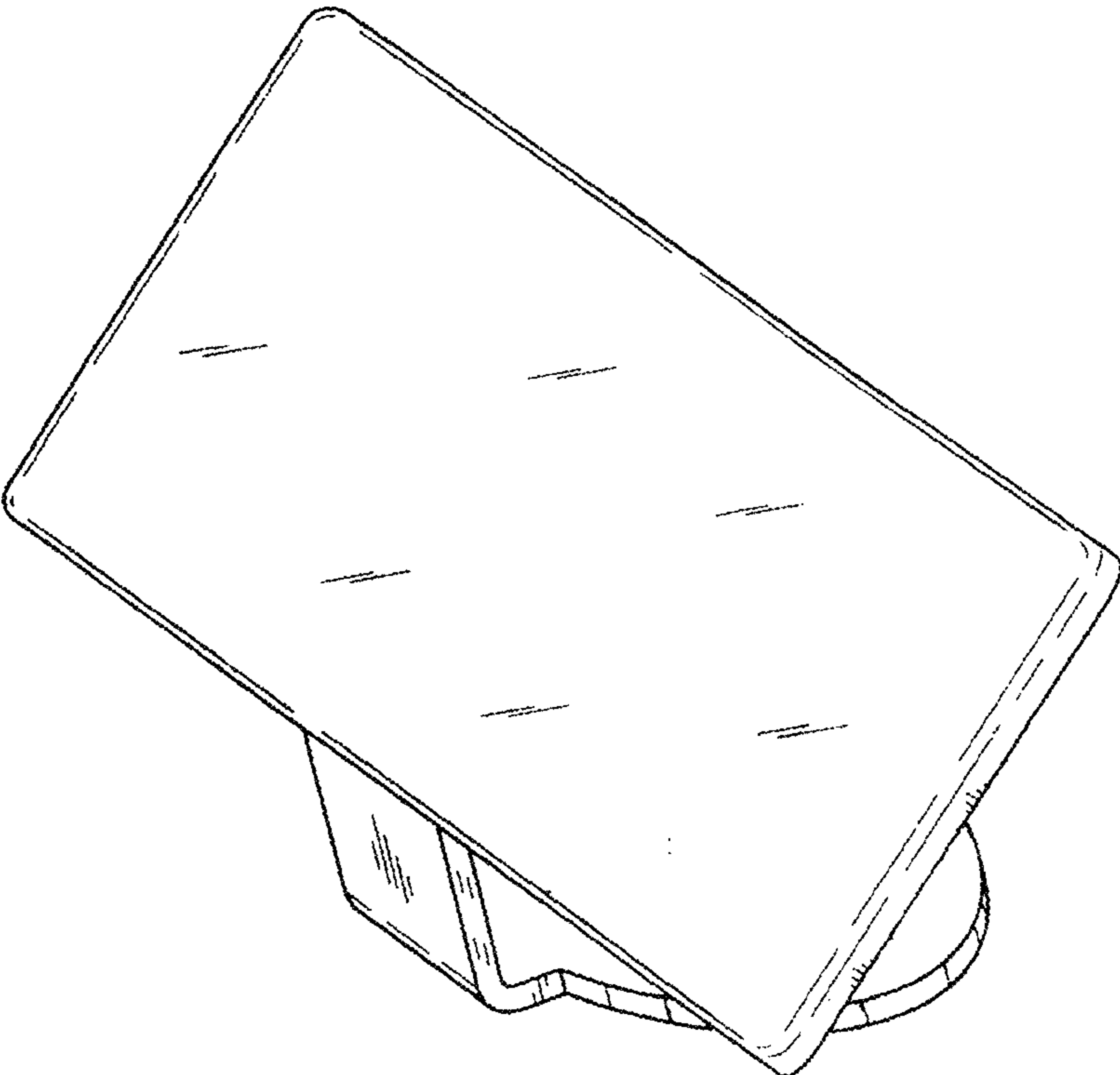


FIG. 9

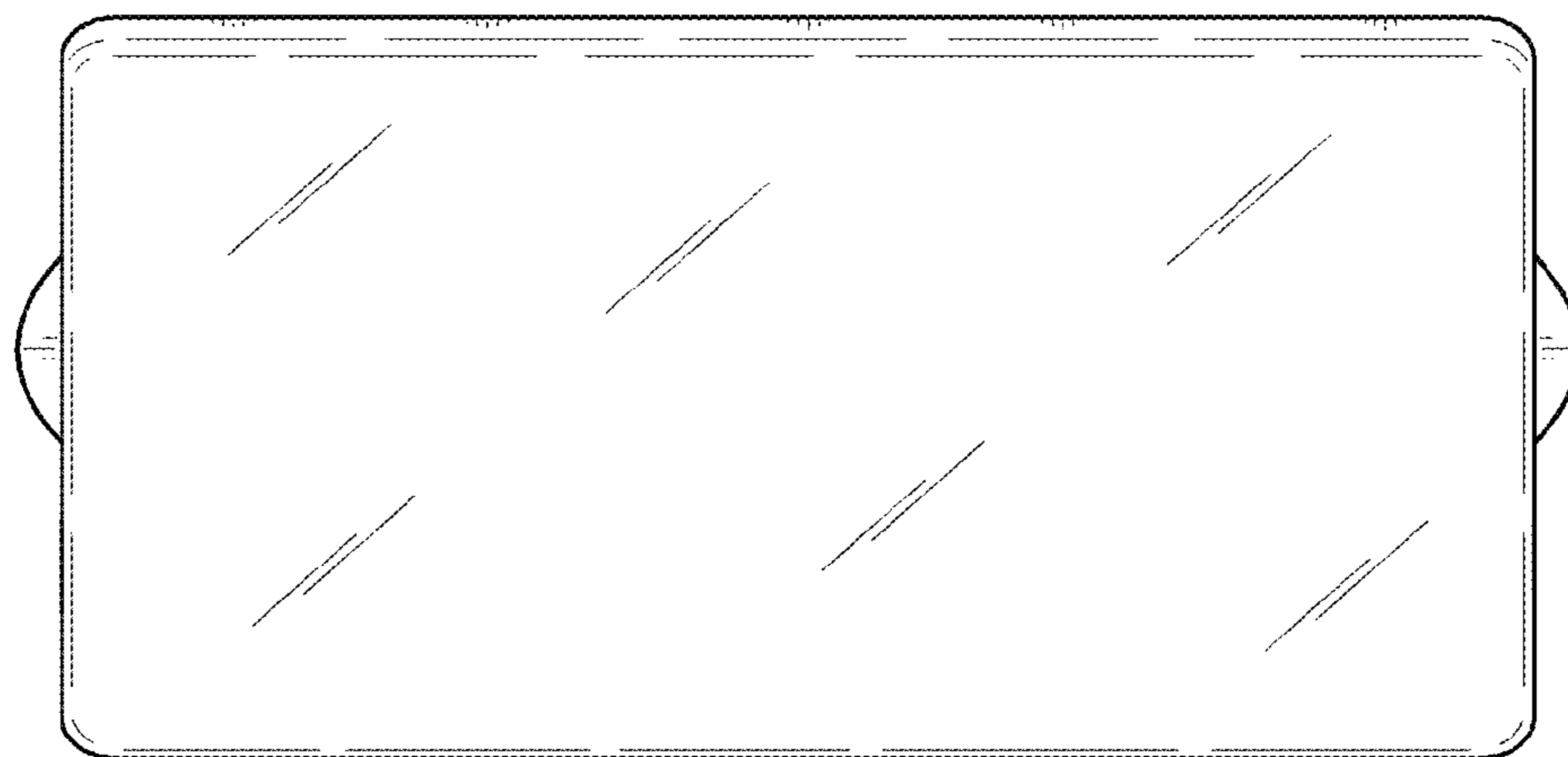


FIG. 10

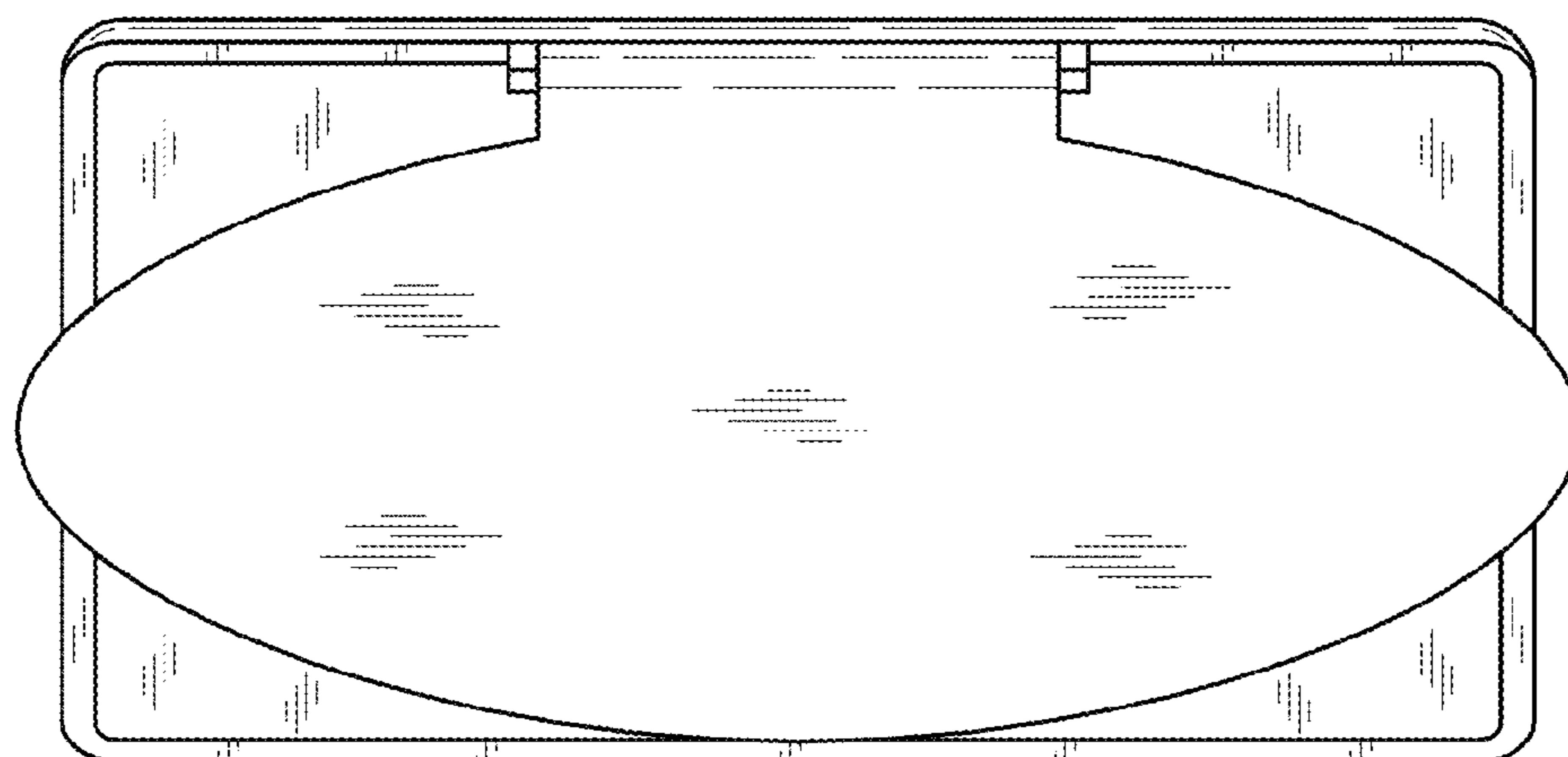


FIG. 11



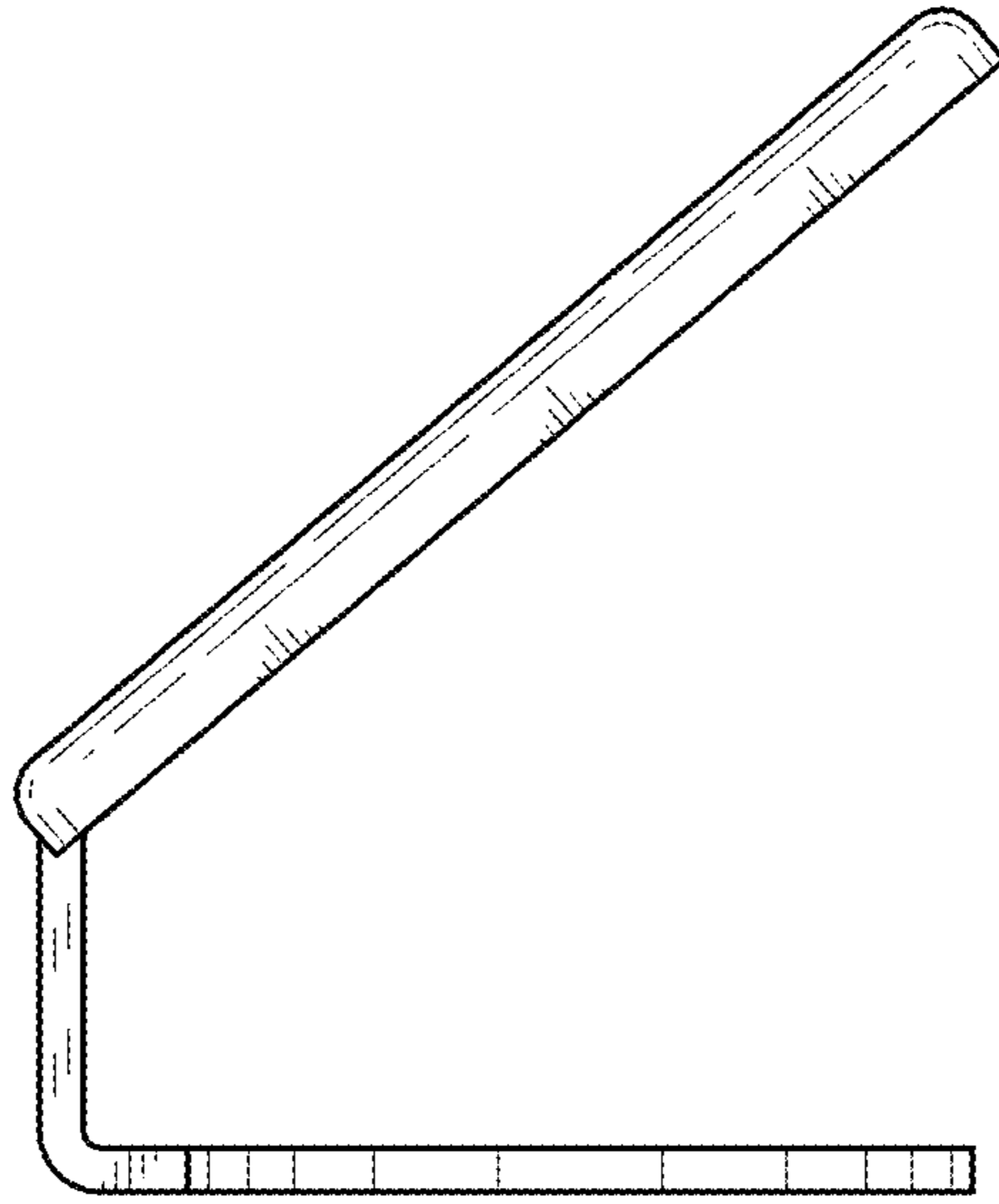


FIG. 12

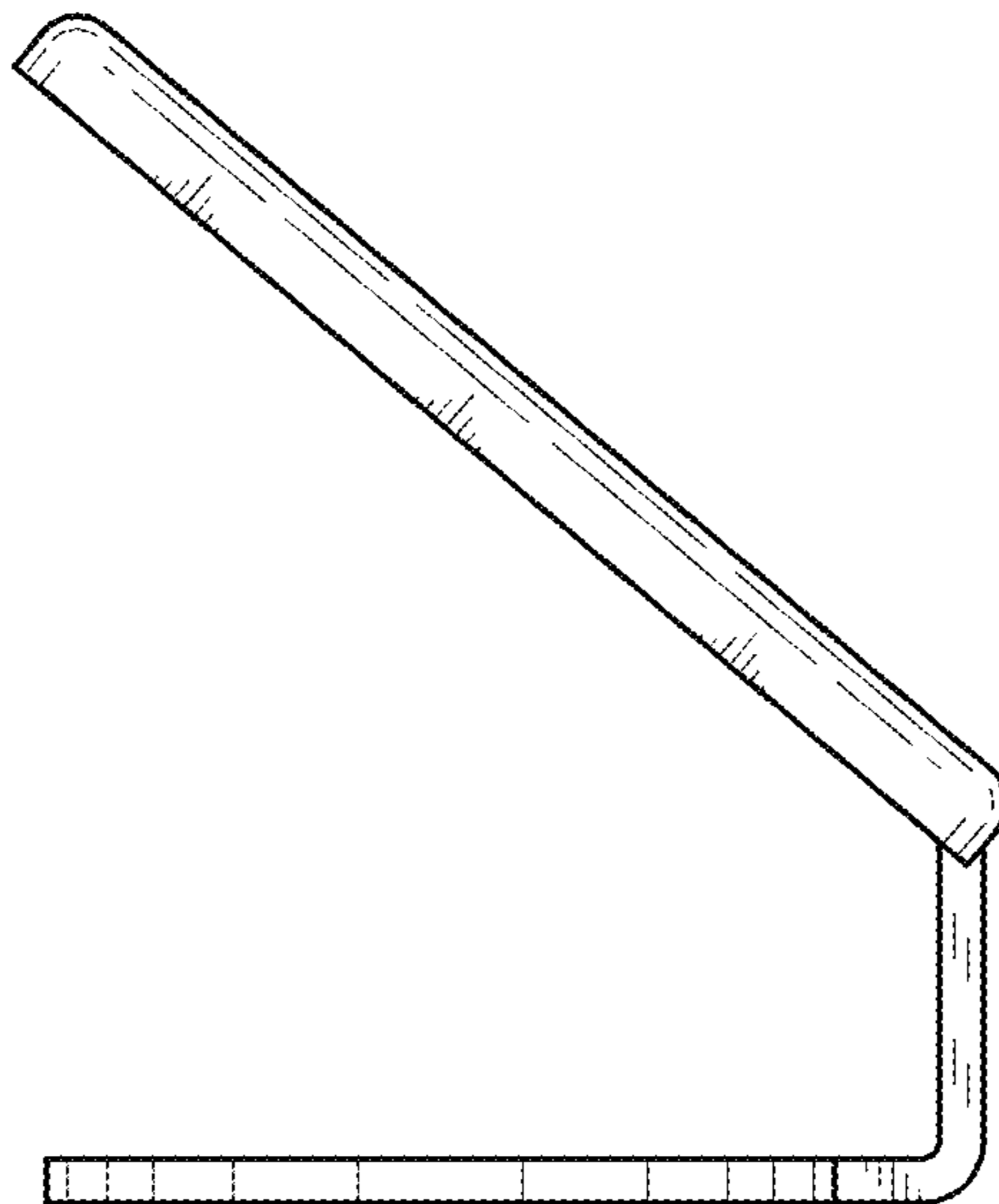


FIG. 13

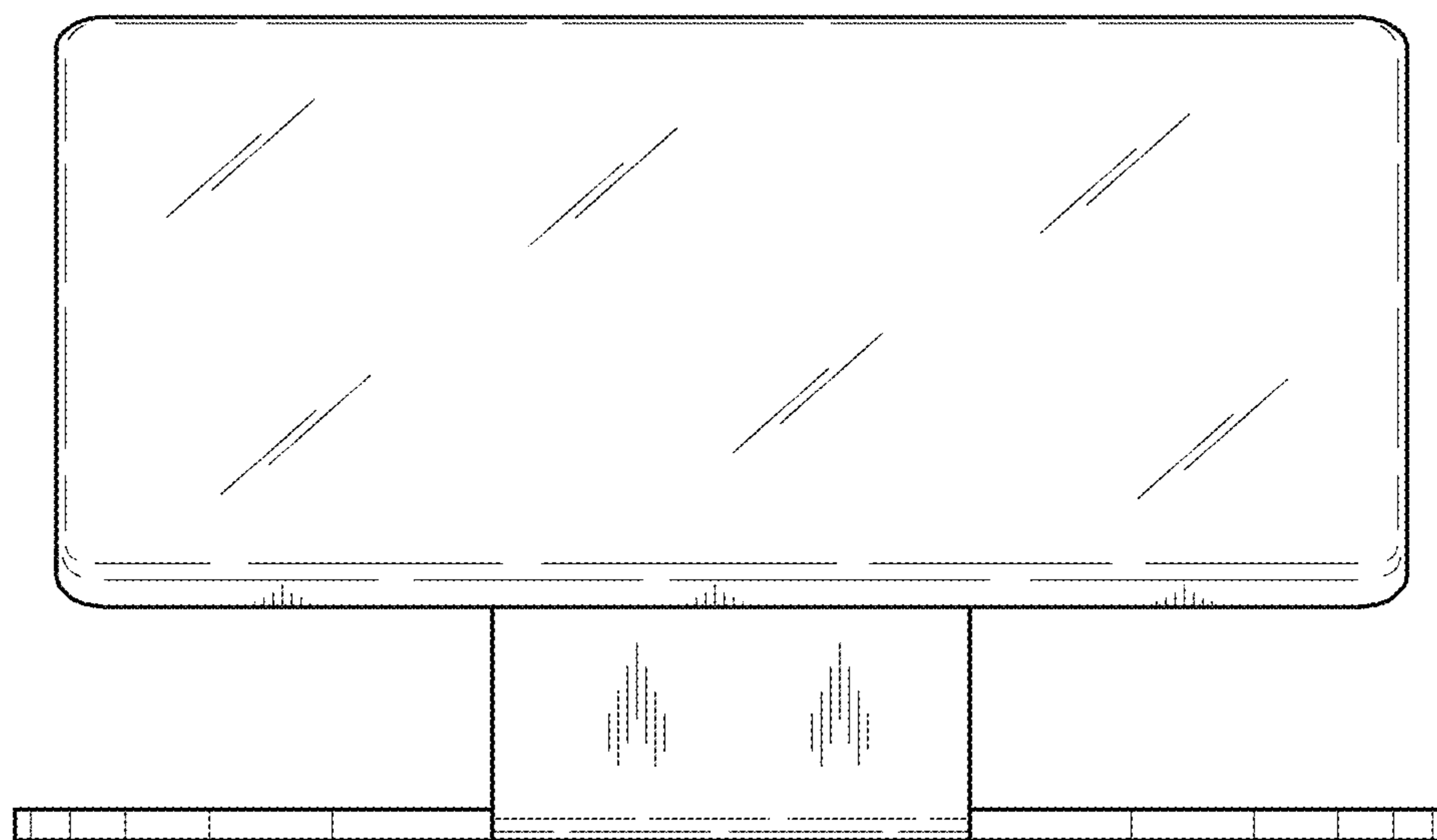


FIG. 14

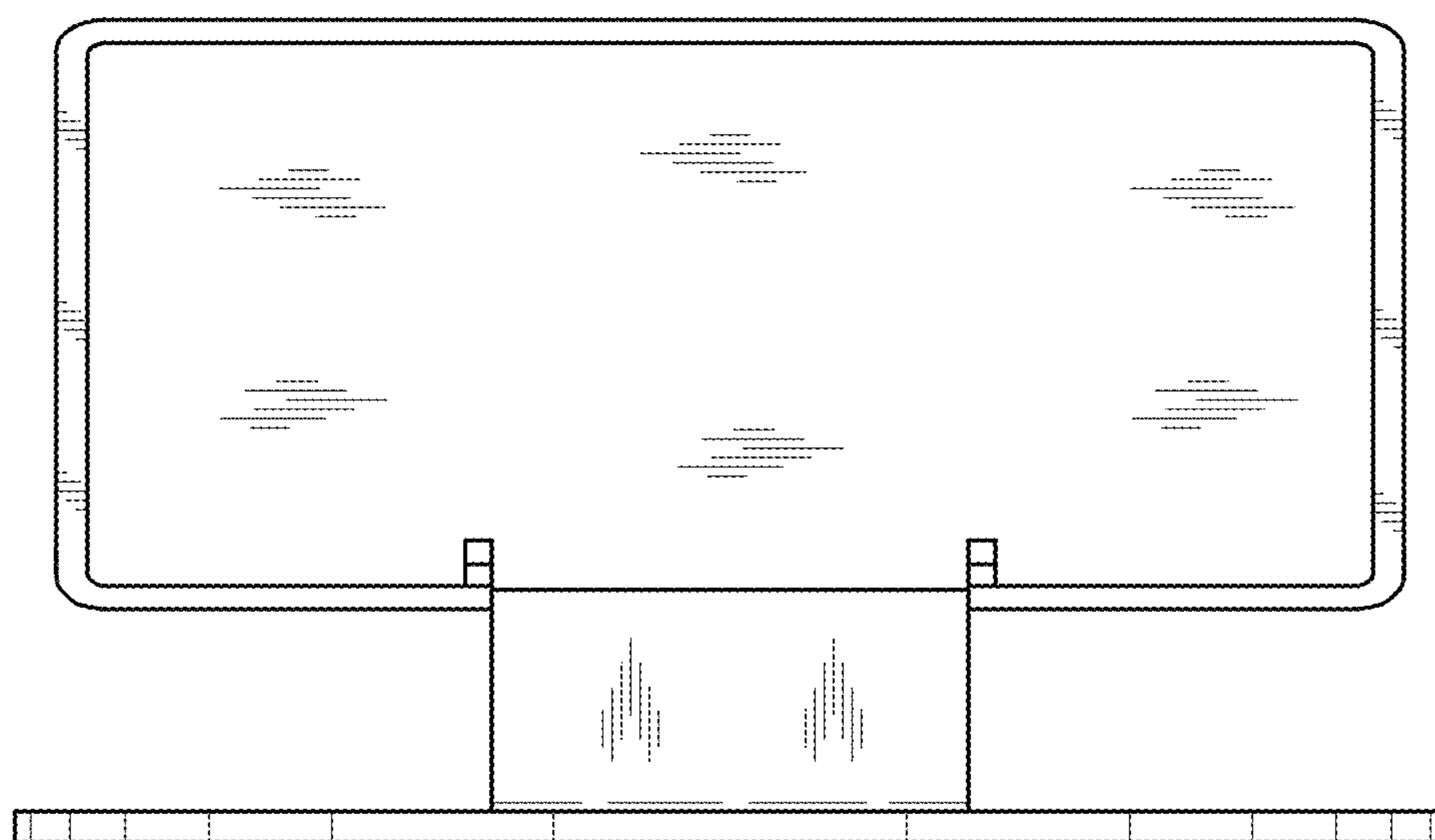


FIG. 15