



US00D757853S

(12) **United States Design Patent**
Wright

(10) **Patent No.:** **US D757,853 S**
(45) **Date of Patent:** **** May 31, 2016**

(54) **HOOD-MOUNTED WARNING SIGN**
(71) Applicant: **Edgar Wright**, Vidalia, GA (US)
(72) Inventor: **Edgar Wright**, Vidalia, GA (US)
(**) Term: **14 Years**

D319,849 S * 9/1991 Stoddard D20/10
D327,097 S * 6/1992 Stoddard D20/19
7,263,793 B1 * 9/2007 Van't Hof G09F 7/00
220/4.28
D639,340 S * 6/2011 Martin D20/10
D748,929 S * 2/2016 Liber D6/595
2012/0167312 A1 * 7/2012 Sobran A47C 27/003
5/739
2015/0310780 A1 * 10/2015 Anders G09F 1/06
40/606.01

(21) Appl. No.: **29/514,353**

(22) Filed: **Jan. 12, 2015**

(51) **LOC (10) Cl.** **20-03**

(52) **U.S. Cl.**
USPC **D20/10**

(58) **Field of Classification Search**
USPC D20/10, 19, 39-42, 99; D10/109.1,
D10/109.2, 113.4; D6/595
CPC G09F 7/00; G09F 7/12; G09F 7/14;
G09F 7/16; G09F 2007/122; G09F 9/00;
G09F 9/33; G09F 13/00; G09F 13/04; G09F
13/06; G09F 13/18; G09F 13/22; G09F 13/24;
G09F 13/26; G09F 2013/1895; G09F 15/00;
G09F 21/00; G09F 21/04; G09F 2021/041;
G09F 1/06; A47C 27/003; B60Q 1/2615
See application file for complete search history.

(56) **References Cited**

U.S. PATENT DOCUMENTS

D184,799 S * 4/1959 Clemens D25/125
3,242,329 A * 3/1966 Abrams B60Q 1/2615
362/235

* cited by examiner

Primary Examiner — Mary Ann Calabrese

(74) *Attorney, Agent, or Firm* — Rodgers & Rodgers

(57) **CLAIM**

The ornamental design for a hood-mounted warning sign, as shown and described.

DESCRIPTION

FIG. 1 is a perspective view of a hood-mounted warning sign showing my new design;
FIG. 2 is a top plan view thereof;
FIG. 3 is a front elevational view thereof, the rear being identical in appearance;
FIG. 4 is a right-side elevational view thereof, the left side being identical in appearance; and,
FIG. 5 is a bottom plan view thereof.
The hash marks on the exterior of the sign denote contrasting colors.

1 Claim, 2 Drawing Sheets

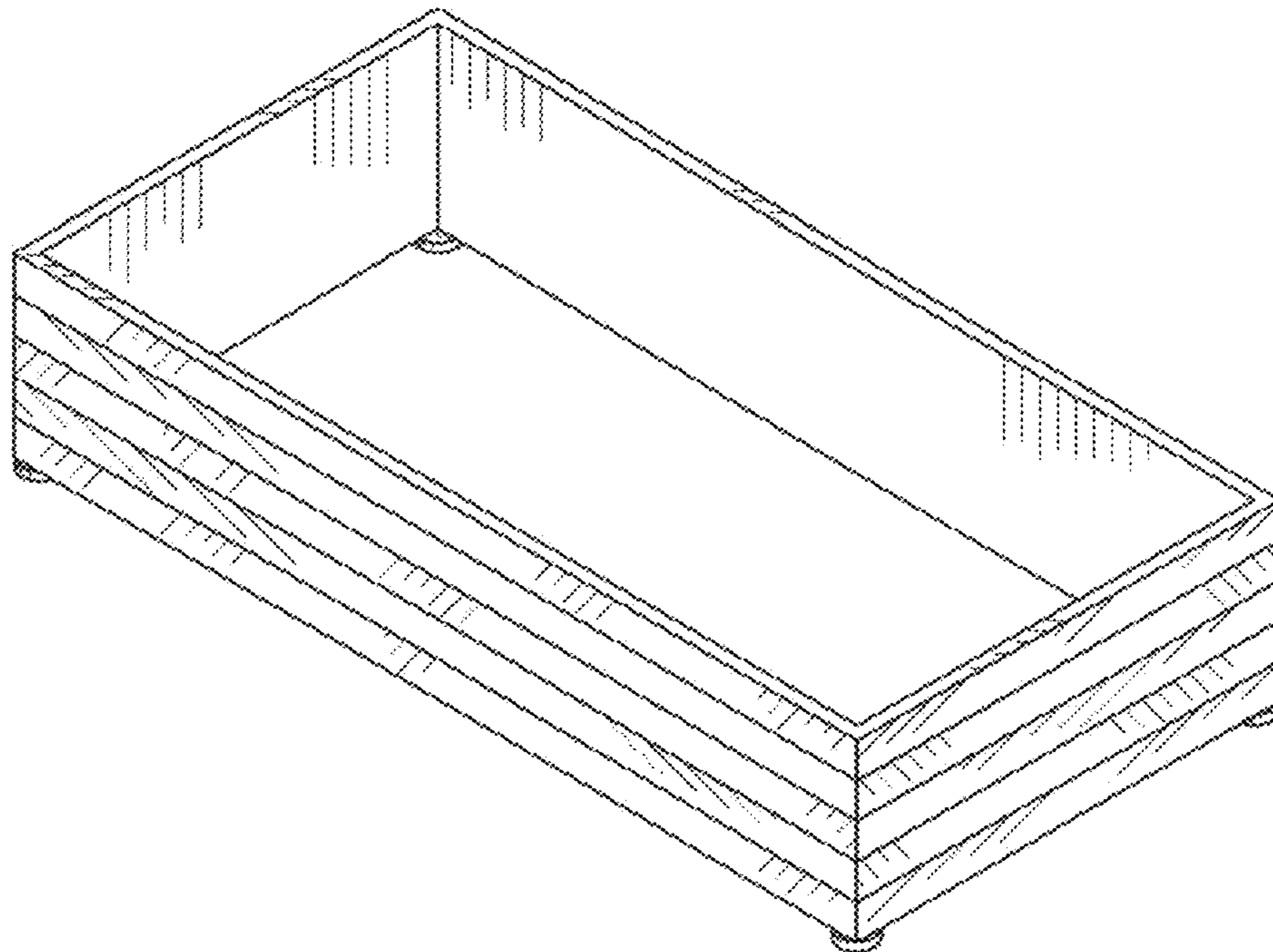


Fig 1

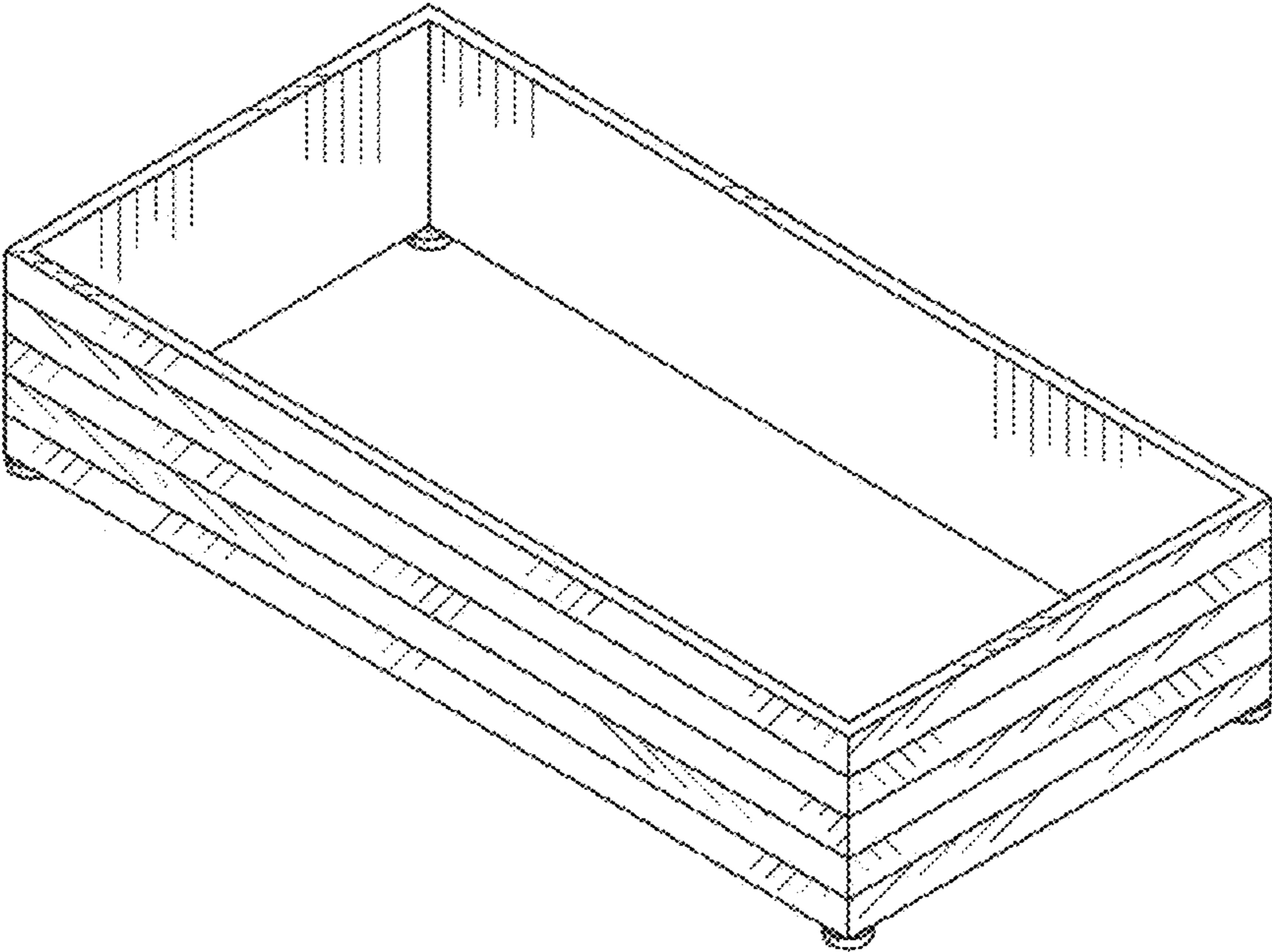


Fig 2

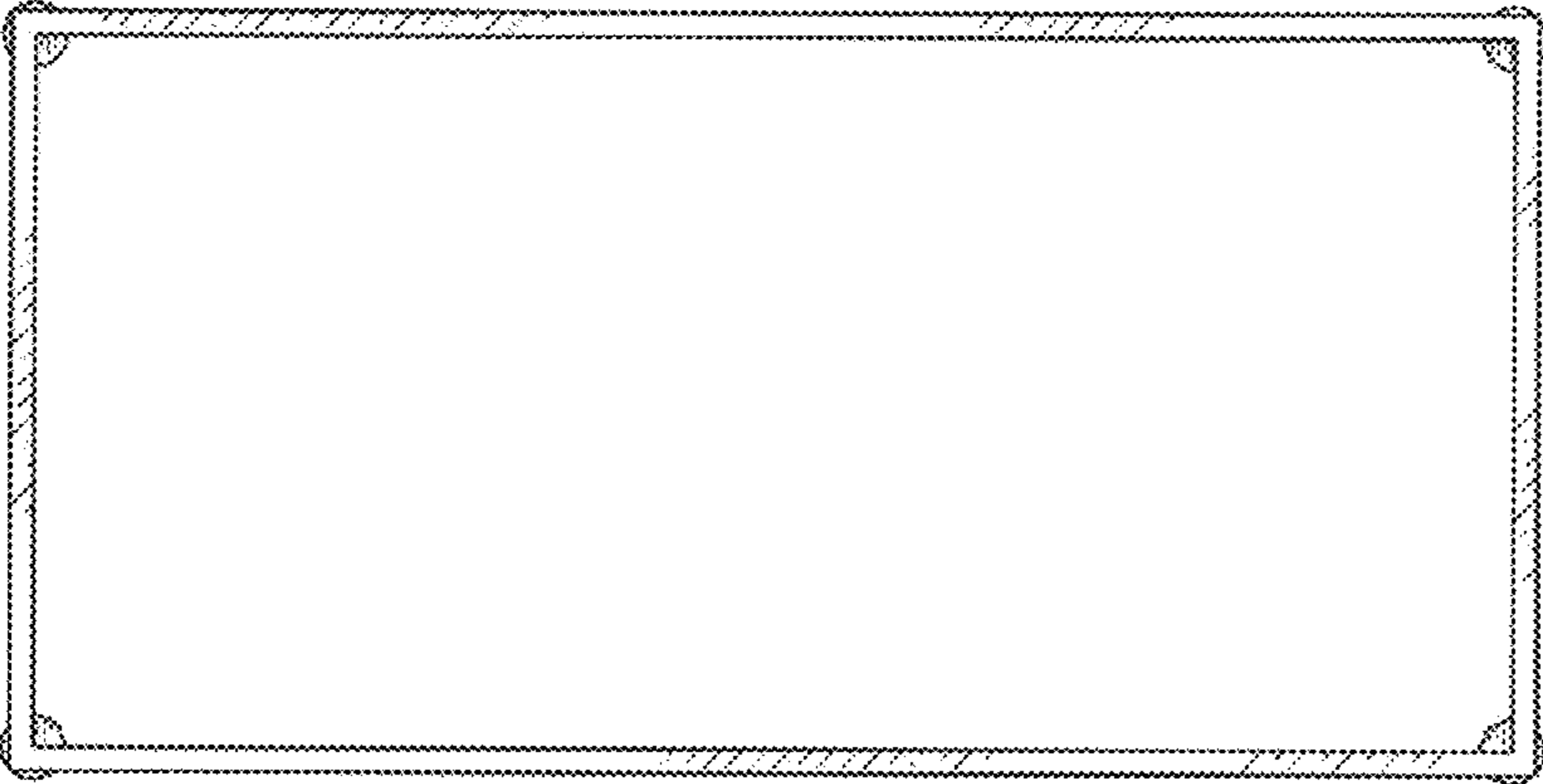


Fig 3

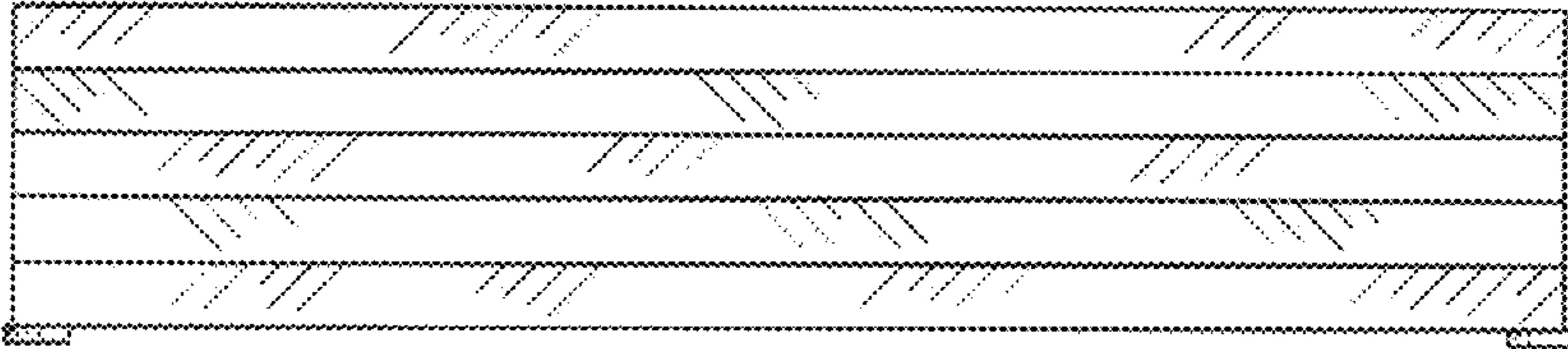


Fig 4

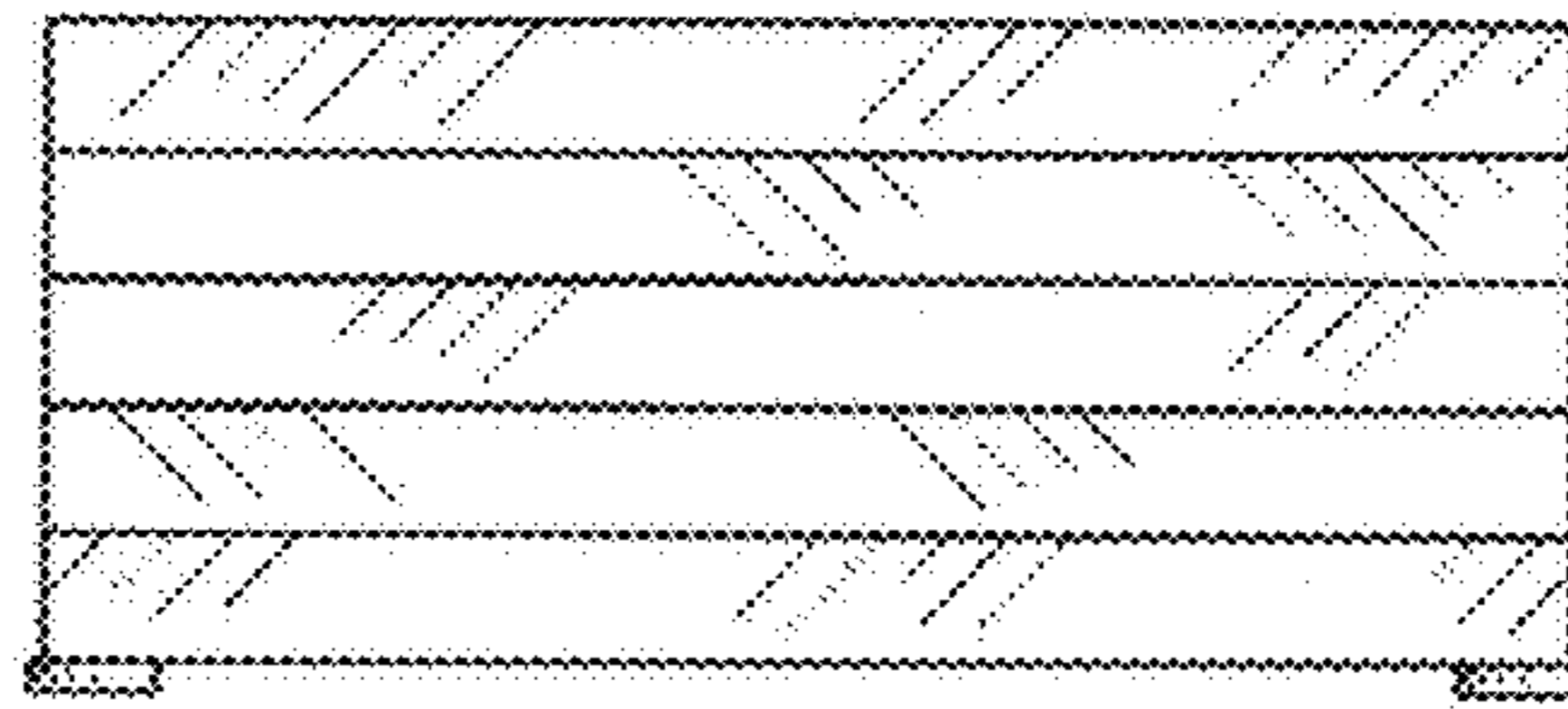


Fig 5

