



US00D757847S

(12) **United States Design Patent**
Matsushita

(10) **Patent No.:** **US D757,847 S**

(45) **Date of Patent:** **** May 31, 2016**

(54) **STAMP**

(71) Applicant: **Taiyotomah Co., Ltd.**, Osaka (JP)

(72) Inventor: **Ikuzo Matsushita**, Osaka (JP)

(73) Assignee: **TAIYOTOMAH CO., LTD.**, Osaka (JP)

(**) Term: **14 Years**

(21) Appl. No.: **29/517,069**

(22) Filed: **Feb. 18, 2015**

(30) **Foreign Application Priority Data**

Sep. 16, 2014 (JP) 2014-022197

(51) **LOC (10) Cl.** **19-02**

(52) **U.S. Cl.**
USPC **D18/15**

(58) **Field of Classification Search**
USPC D18/15, 16, 17, 18, 50; D19/65-68, 70,
D19/71; D9/521
CPC B41J 2/1752; B41J 3/36; B41J 29/023;
B41J 2/17526; B41J 3/28; B41K 1/00; B41K
1/38; B41K 1/006; B41K 1/02; B41K 1/08;
B41K 1/40; B41K 1/42; B41K 1/52; B41K
1/54; B41K 1/56

See application file for complete search history.

(56) **References Cited**

U.S. PATENT DOCUMENTS

4,970,954 A * 11/1990 Weir B41K 1/42
101/104
D323,527 S * 1/1992 Weir D18/15
6,843,173 B2 * 1/2005 Shih B41K 1/40
101/111
D513,037 S * 12/2005 Faber D18/15
D518,506 S * 4/2006 Faber D18/15
D523,892 S * 6/2006 Faber D18/15
D538,840 S * 3/2007 Shih D18/15

D545,353 S * 6/2007 Trembl D18/15
D568,381 S * 5/2008 Shih D18/15
D584,340 S * 1/2009 Lee D18/15
2005/0061175 A1 * 3/2005 Sculler B41K 1/02
101/333
2011/0277647 A1 * 11/2011 Zindl B41K 1/006
101/334

FOREIGN PATENT DOCUMENTS

KR 300686702.0000 * 3/2013
RU 00060402 * 10/2006

OTHER PUBLICATIONS

YouTube. <URL: https://www.youtube.com/watch?v=x6_PtxRdVRE>. Jun. 29, 2014. Trodat Printy 4928 Self Inking Rubber Stamp.*

* cited by examiner

Primary Examiner — Bridget L Eland

Assistant Examiner — Lauren McVey

(74) *Attorney, Agent, or Firm* — Kubotera & Associates, LLC

(57) **CLAIM**

The ornamental design for a stamp, as shown and described.

DESCRIPTION

FIG. 1 is a perspective view of a stamp showing my new design;

FIG. 2 is a front view thereof;

FIG. 3 is a rear view thereof;

FIG. 4 is a right side view thereof;

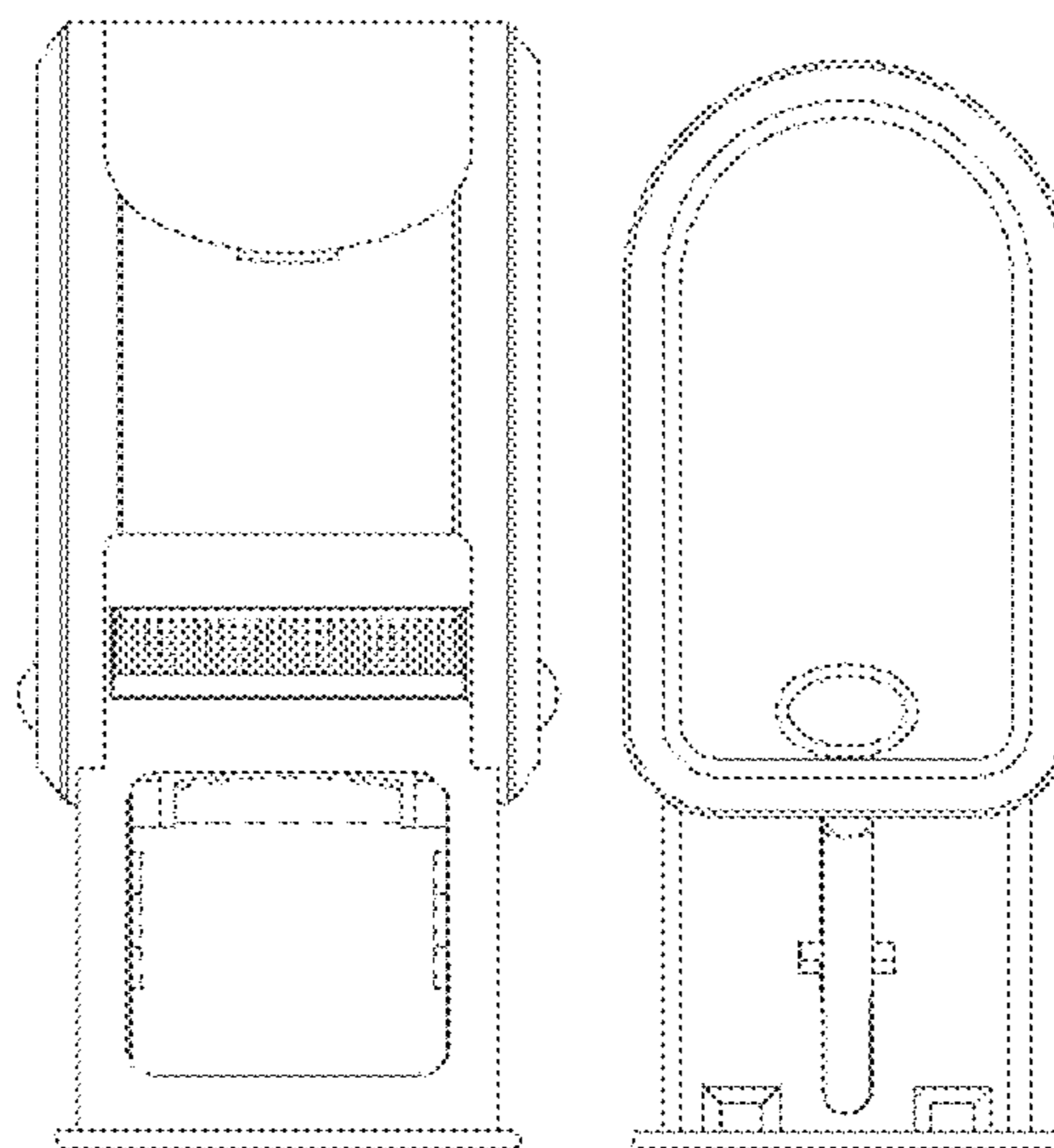
FIG. 5 is a left side view thereof;

FIG. 6 is a plan view thereof; and,

FIG. 7 is a bottom view thereof.

The broken lines shown in the views are included for the purpose of illustrating portions of the stamp that form no part of the claimed design.

1 Claim, 4 Drawing Sheets



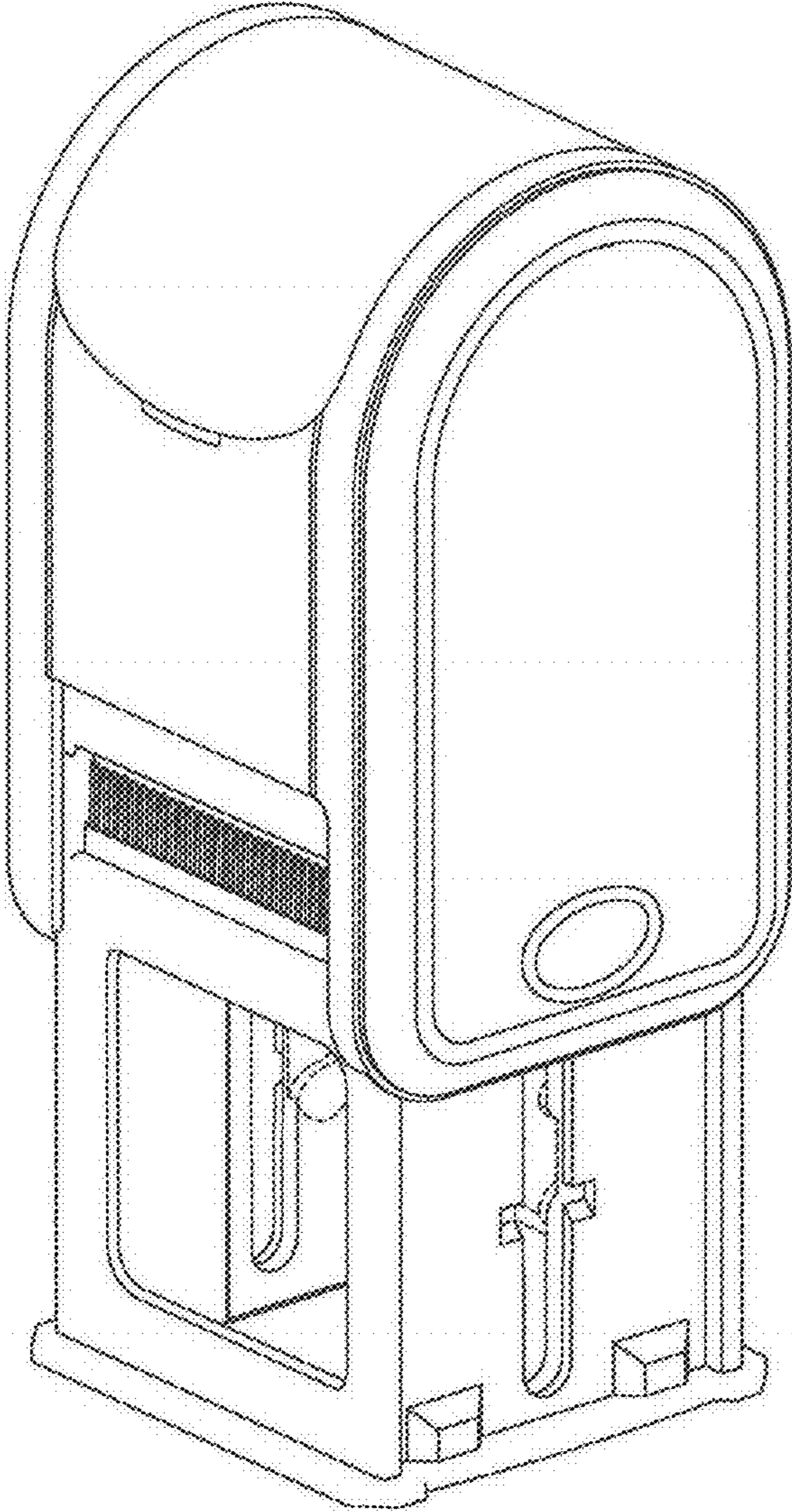


FIG. 1

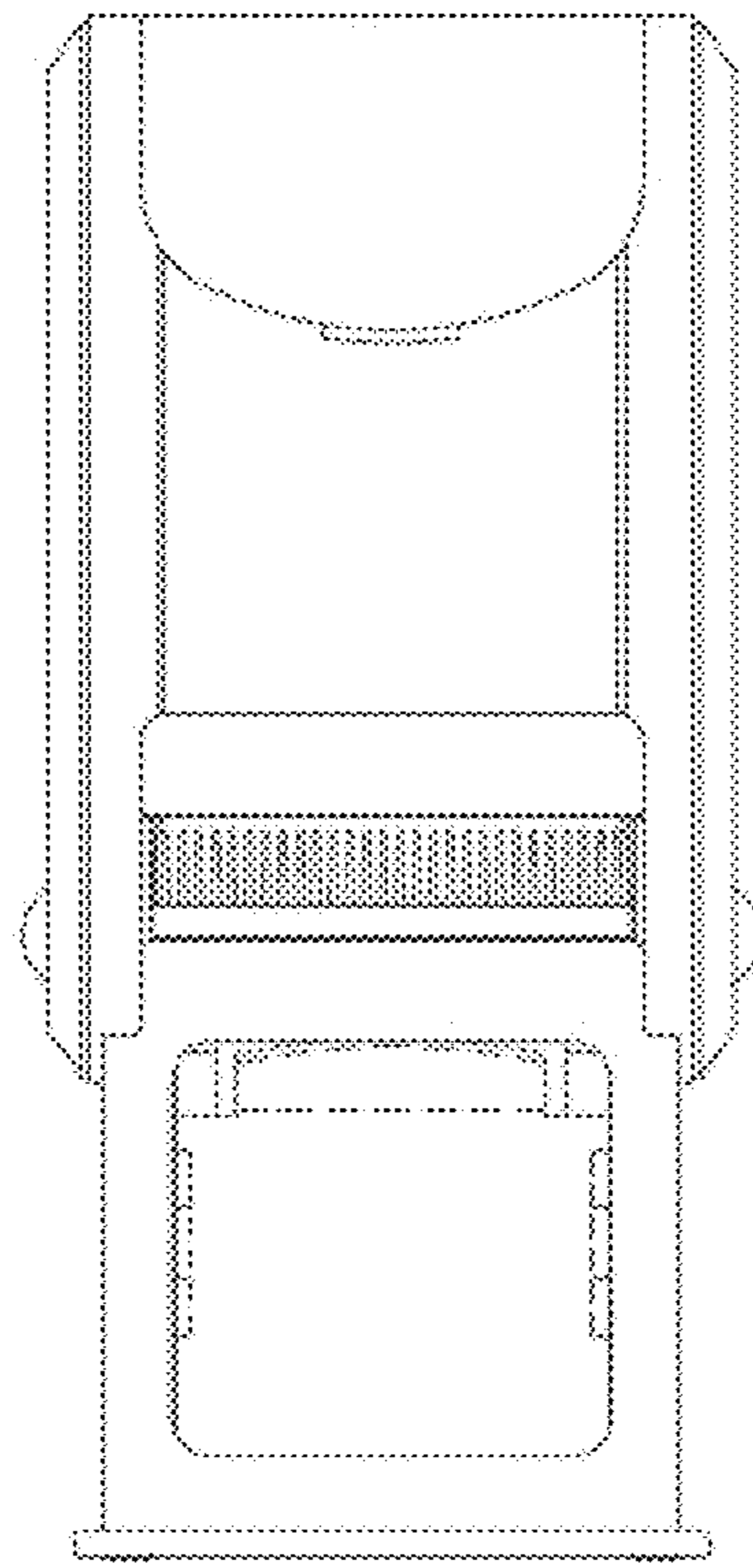


FIG. 2

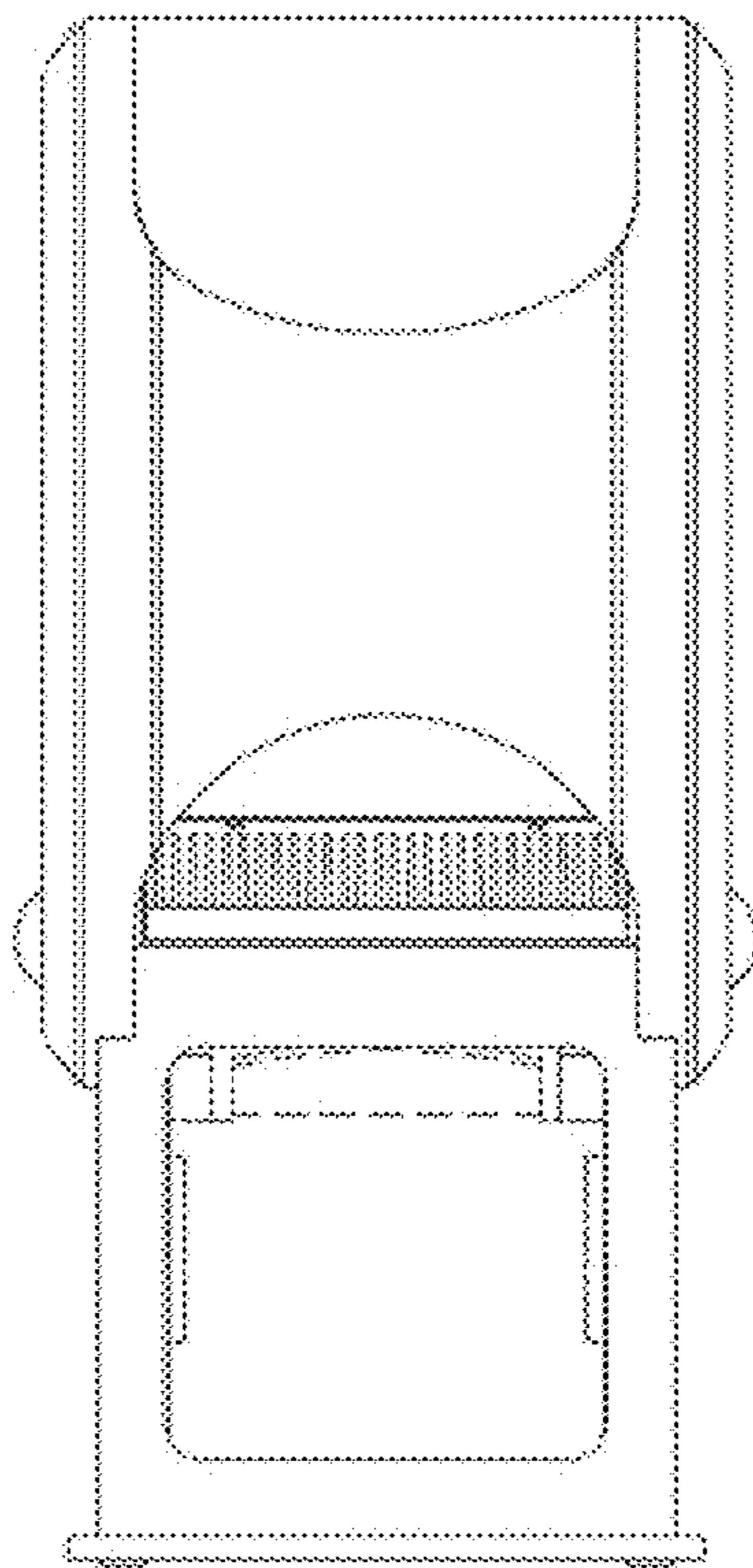


FIG. 3

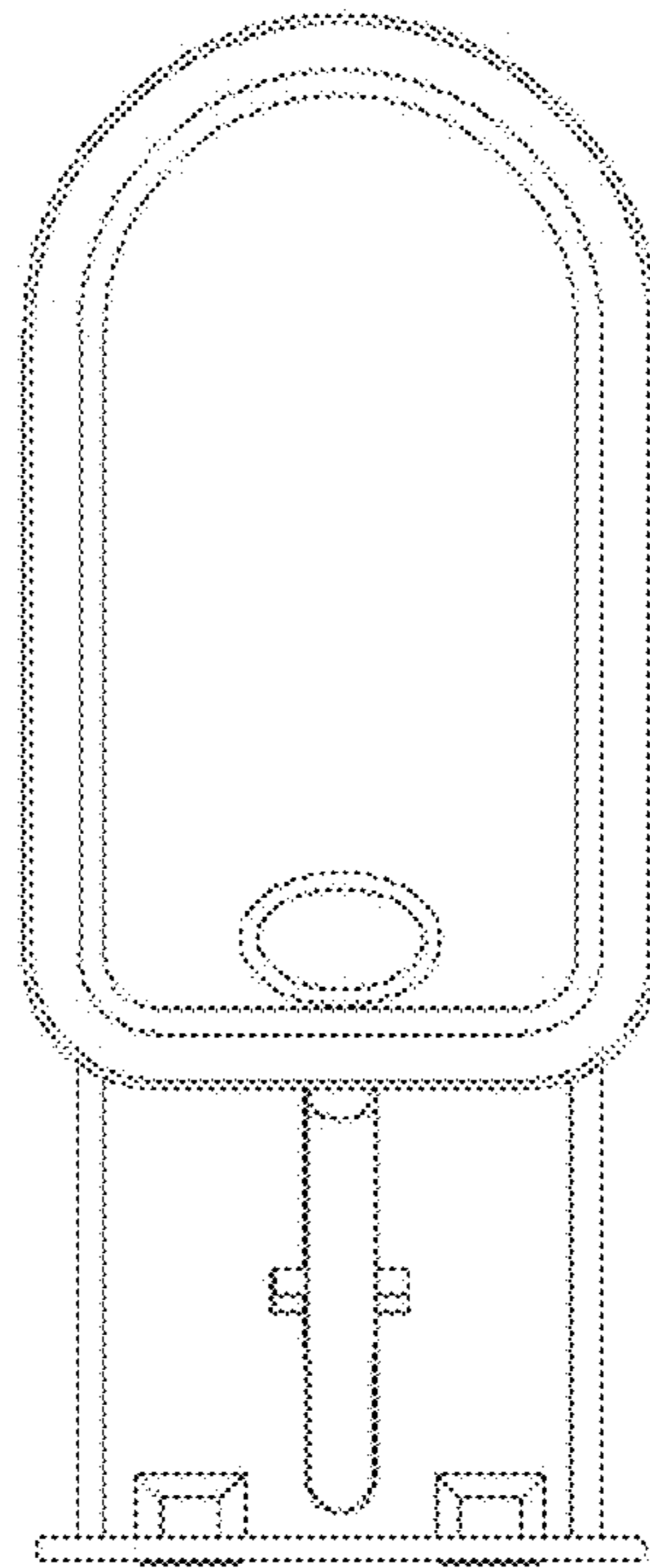


FIG. 4

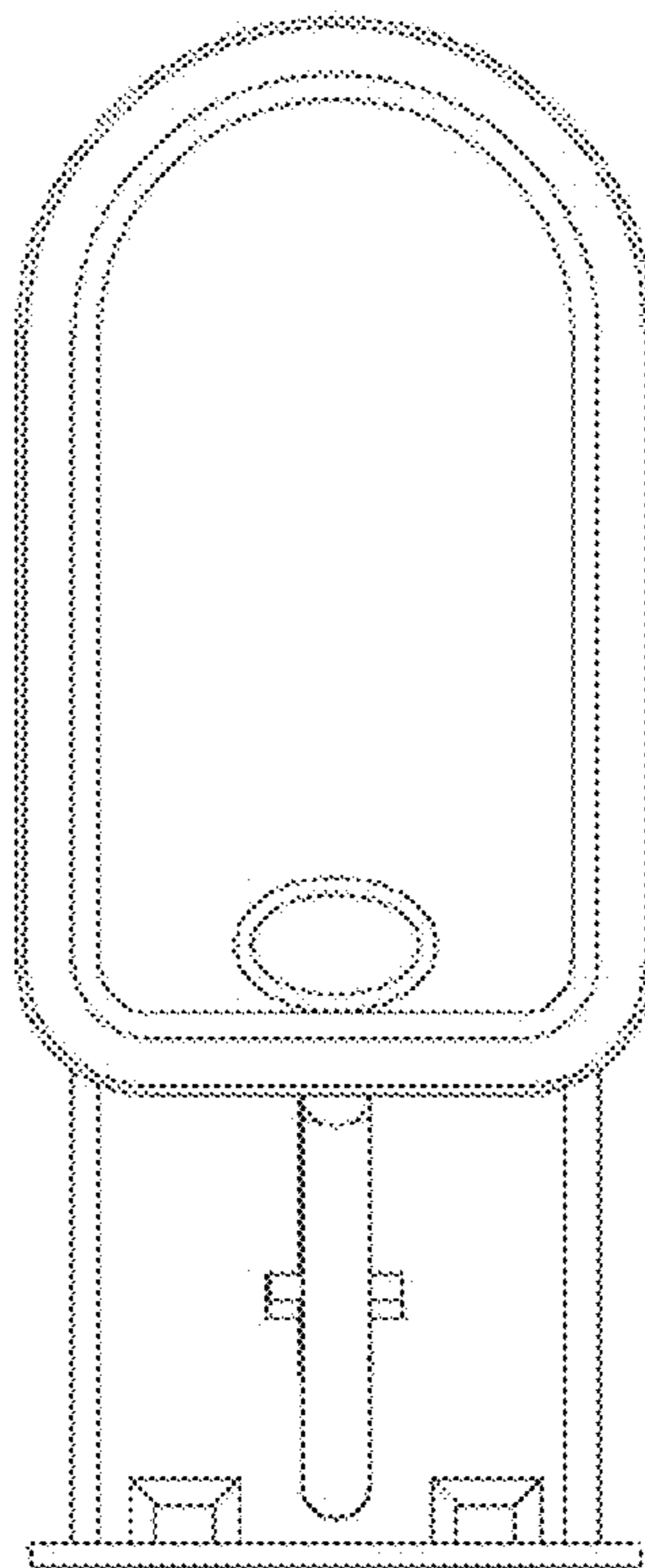


FIG. 5

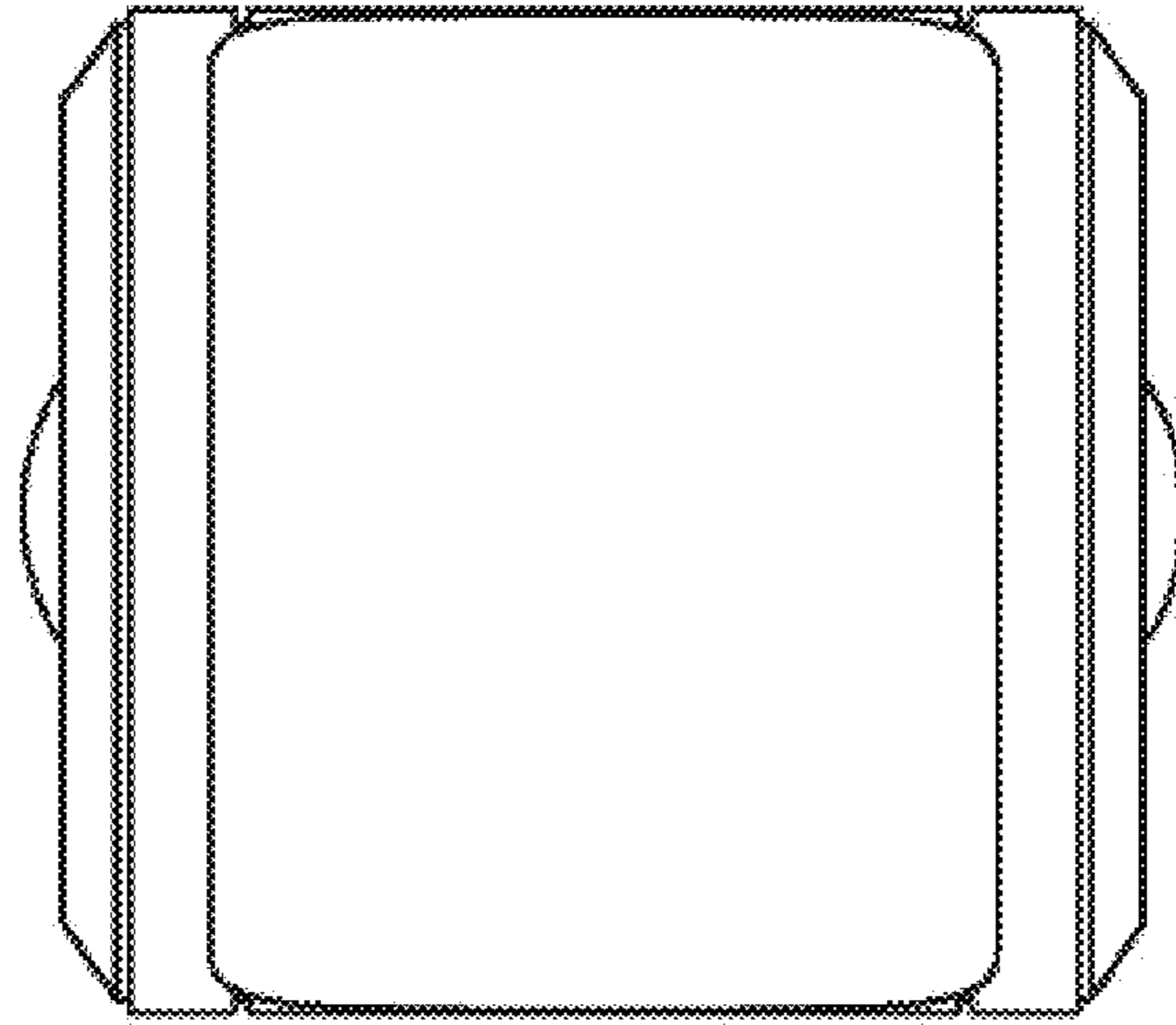


FIG. 6

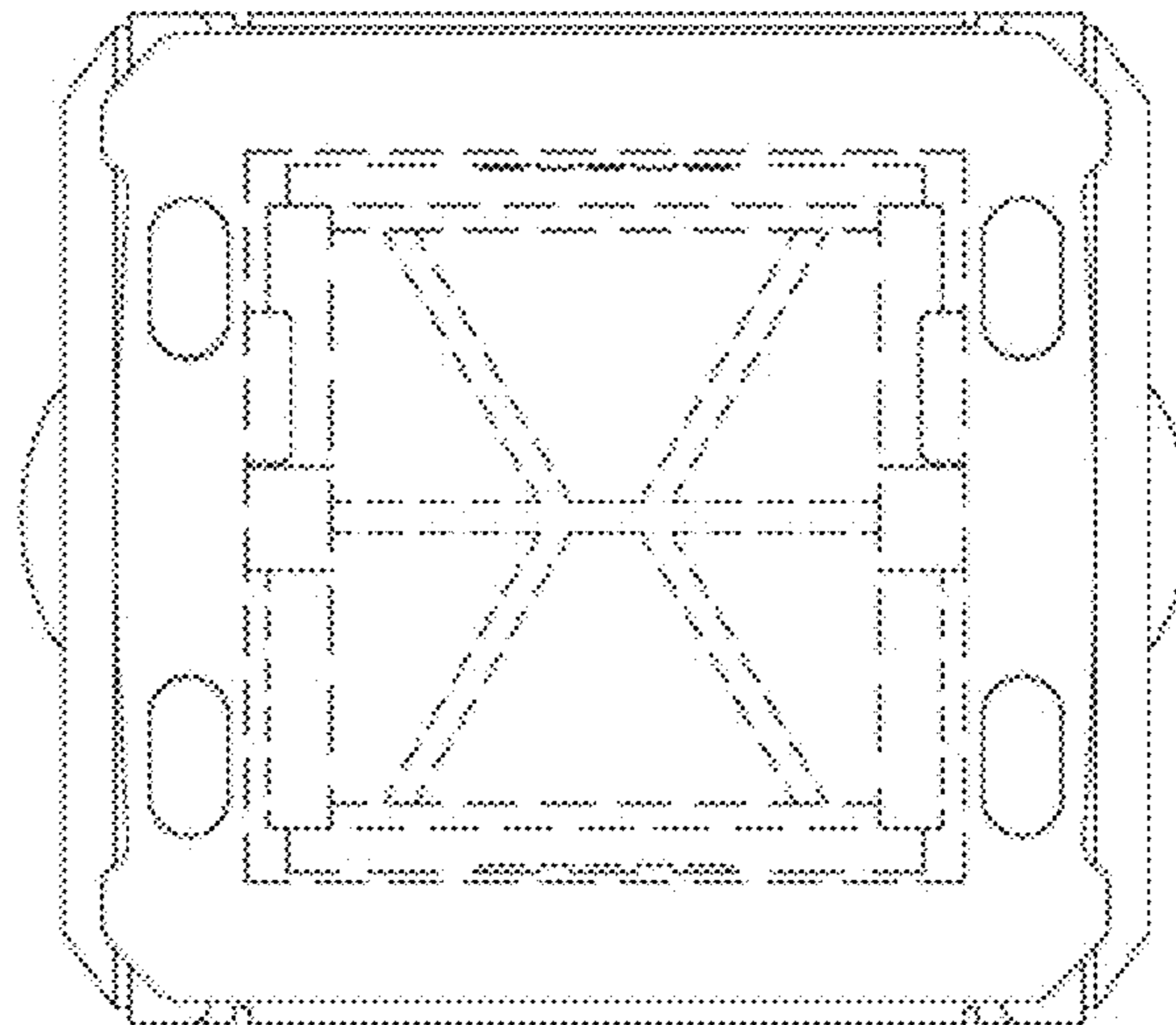


FIG. 7